

Technology  
QVI

www.CertifiedComparator.com

## CC-16L Contour Projector®

The **CC-16L** is a compact, benchtop optical comparator with exceptional screen brightness and functionality.

The large and evenly illuminated 16 inch diameter screen shows crisp, well-defined images using either standard profile light or oblique ring light.

- Exclusive TruLight® all-LED illumination
- CC-16L is “rock solid” with its cast mineral composite base that provides structural integrity for consistent performance in shop environments
- Optional internal optical edge detection

Proudly designed and manufactured in the United States of America



Large Screen Optical Comparator At A Low Price



\*Shown with Q-Touch™ DRO.

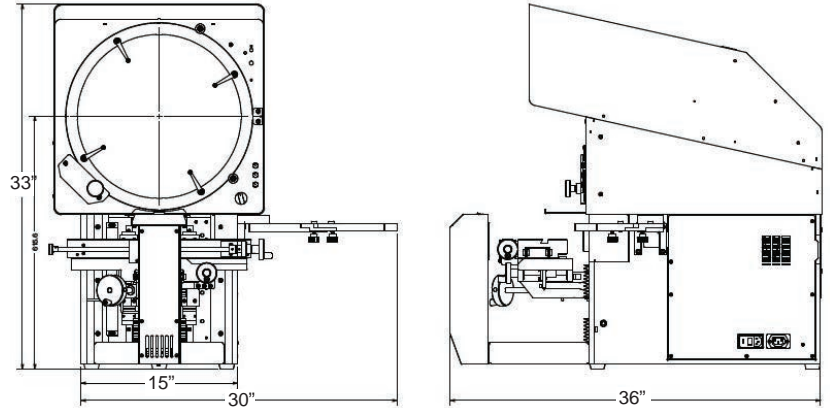
# CC-16L Contour Projector

## Available Options and Accessories:

- Adjustable direct projection iris
- EdgeScan™ internal automatic edge detection (requires a Quadra-Chek or Q-Touch DRO)
- Projectron® automatic grayscale edge detection (requires a Q-Check DRO)
- Fixture and calibration reticles
- Fresnel lens
- Overhead light shield
- Glass and plastic overlay charts
- Steel weldment stand
- Ergonomic, motorized adjustable height stand
- Service and support contracts

## Optional Software:

- Quadra-Chek® QC-Wedge (requires Microsoft® Excel™)



System Weight: 425 lb

	Standard	Optional
<b>XY Travel Range (in)</b>	12 x 4	
<b>Z Focus Travel (in)</b>	1.5" with precision fine adjustment	
<b>Throat Clearance (in)</b>	8.5	
<b>XY Scale Resolution (in)</b>	0.00004	0.00002
<b>XY Drive System</b>	Manual, with quick release X-axis and fine adjustment knobs in X and Y	
<b>Worktable (in)</b>	Precision machined aluminum with fixturing slot, 16 x 4.75	
<b>Recommended Maximum Load Capacity (lb)</b>	45	
<b>Optical System</b>	Telecentric, horizontal, with upright, reversed image	
<b>Screen</b>	16" diameter ground glass screen, with integral hood, 90° centerlines and clips for mounting overlay charts	
<b>Protractor</b>	Digital screen display, ± 360° readout with 1' (0.017°) resolution	
<b>Working Distance (in)</b>	3.4	
<b>Lens</b>	10X Projection lens	20X, 31.25X, 50X, 100X
<b>Lens Mount</b>	Internal, quick change lens mount and storage rack with locking access door	
<b>Illumination</b>	Profile light: high-brightness green LED with continuously variable intensity Oblique (Dark Field): ring light with eight (8) high-brightness white LEDs, with 6 switch-selectable patterns for directional lighting; continuously variable intensity	
<b>Electronics</b>	Q-Touch™	Quadra-Chek QC-100, QC-200 or QC-300 QVI Q-Check®
<b>Power Requirements</b>	115/230VAC, 50/60 Hz, 1φ, 300W	



**Quality Vision International, Inc.**

Phone: +1 585 758 1300

Fax: +1 585 506 4307

ccpinfo@qvii.com

www.qvii.com/ccp

