

Item #	Quant.	PartNumber+Name	MT200 Rear Head	Comment NOV2014
1	1	3012151	Spring washer M12 678BA	
2	2	6470028-01	Depth securing rod M8 1443	
3	4	6030180-00	Angled support plate for depth adjuster MT H	
4	5	3833502	Plastic cup d10.5 x D 13 x h 4 5408513 Z	Supplied by Maredo (initially)
5	1	6030160-01	Base plate tooth belt drive MT head 1440	
6	2	6470020-00	End bush rear wheel MT head	
7	2	3903416	Roll pin d x 16 D1481	
8	4	3506000	Nut M6 DIN 934	
9	1	3608163	Hex socket screw M8 x 16 DIN 912	
10	2	6030178-01	Side strip for front roller support MT head 144	= part of the welded assy # 7455106
11	2	6030188-01	Scraper rear wheel D125	
12	6	3608201	Bolt M8 x 20 DIN 933	
13	2	3911420	Key 8 x 20 DIN 6885	
14	2	3510012	Low height nut M10	
15	2	6470028-02	Depth control spindle nut MT head 1443	
16	1	4034000	Connecting shackle for 1_2 duplex chain	
17	1	6030162-01	Gearbox support plate rear MT head 1443	
18	1	4084925	Tapelock bush 1215 d=25	
19	1	6030178-01	RH Reinforcement strip front roller support M	= part of the welded assy # 7455106
20	24	3510004	Self lock nut M10 D985	
21	2	3612900	Bolt M12 x 90 DIN 931	
22	0	NOT IN USE	HERE	
23	1	3010151	Spring washer M10 6798A	
24	0	NOT IN USE	HERE	
25	2	2425309	Bearing housing PF205.AD_ASM	
26	1	3610251	Bolt M10 x 25 DIN 933	
27	1	7030013-00	Distance bush Hex 22 L12.7 M Thread	
28	0	NOT IN USE	HERE	
29	2	6470024-00	M10 stud for bearing front roller MT head	
30	2	6470010-00	Depth control spindle M14	
31	2	4215010	Rubber wheel 125 x 50 d=20 100116122KON	Supplied by Maredo (initially)
32	2	3606201	Bolt M6x 20 DIN 933	
33	1	3911425	Key 8 x 25 DIN 6885	
34	1	4034030	Duplex 1_2 chain 8 shackles MT rear head ch	
35	1	6030172-01	Side weight for MT head 1444	
36	1	6030155-00	Bottom protection cover rear head	
37	2	6030166-00	Grip knob for depth control MT head	
38	1	2425300	Bearing SC 205	
39	3	3608251	Bolt M8 x 25 4017 S	

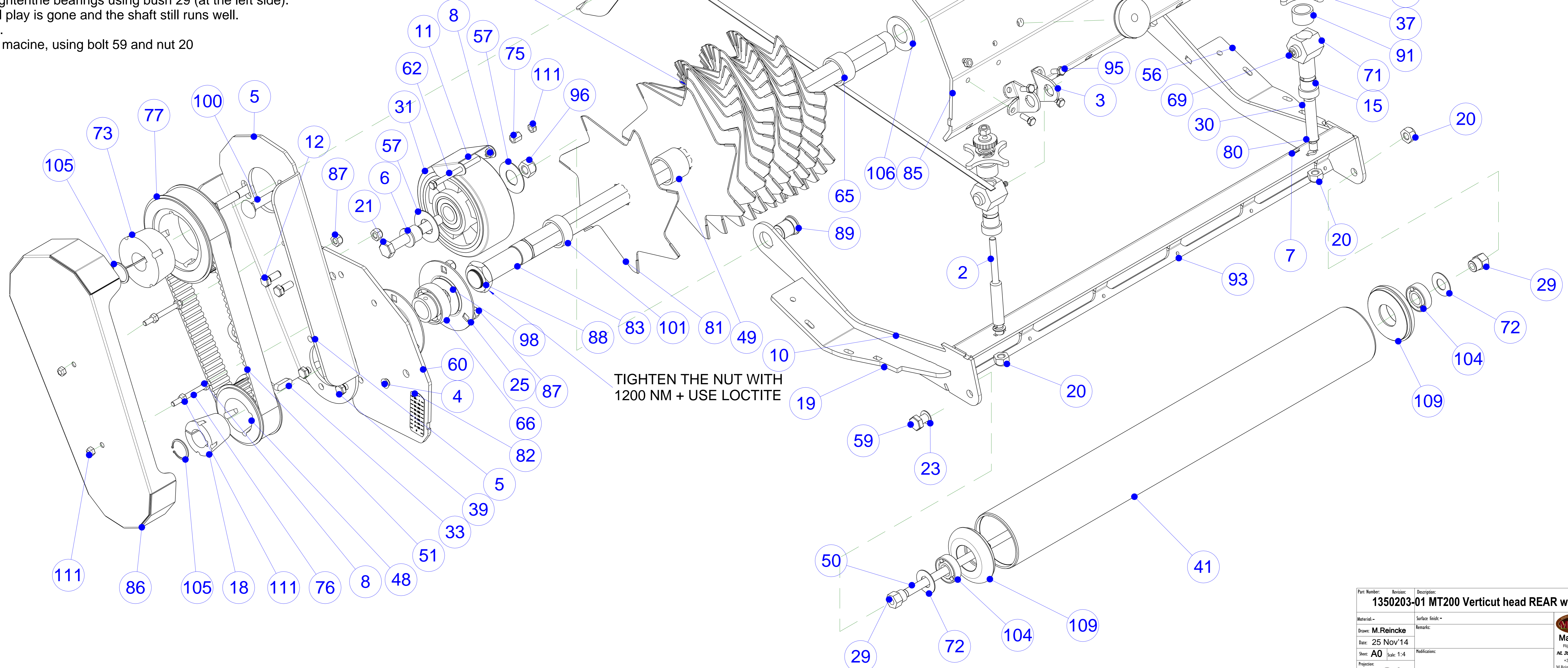
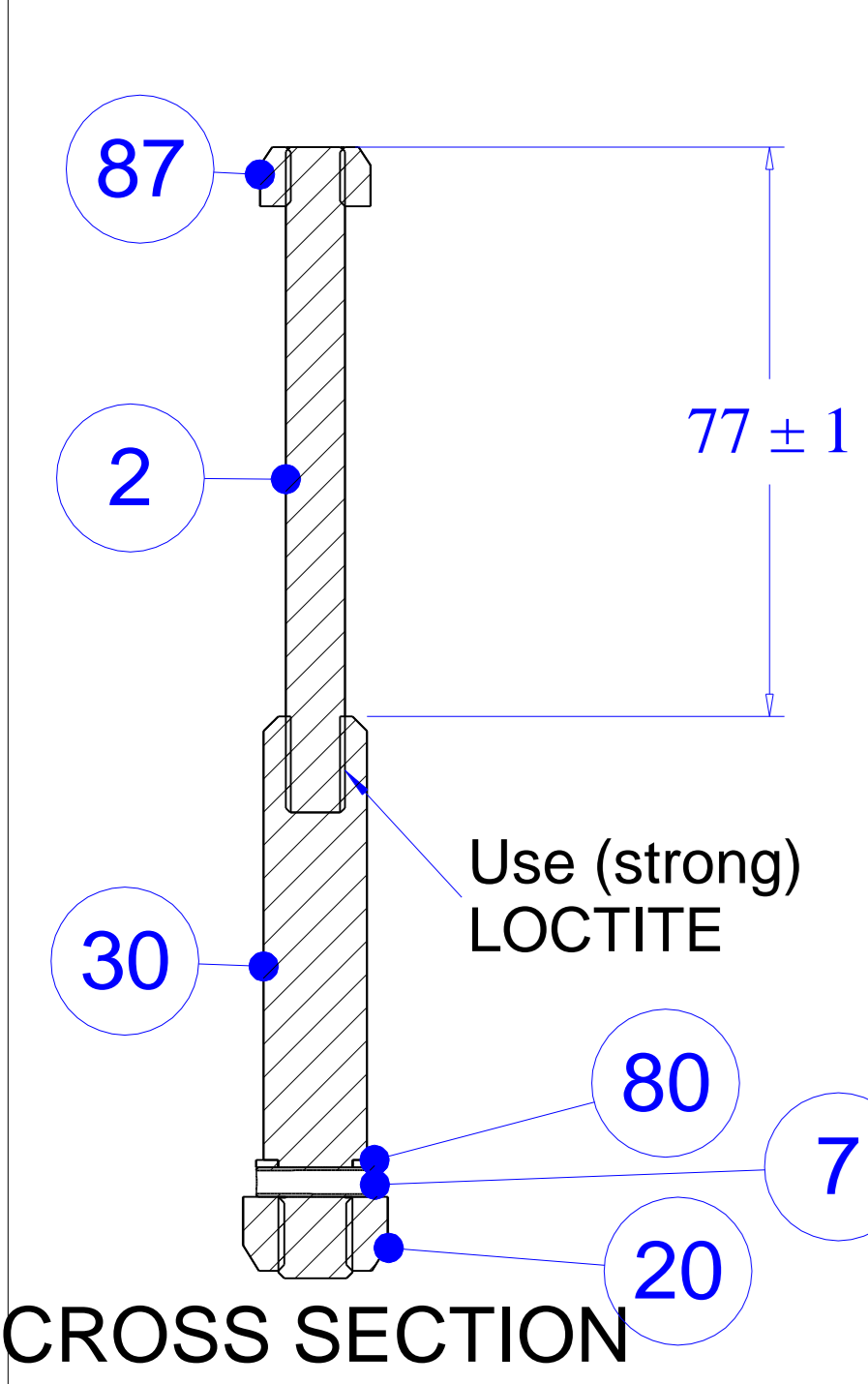
Item #	Quant.	PartNumber+Name	MT200 Rear Head	Comment NOV2014
40	1	6030154-01	Protection cover for rear MT PTO cover	
41	1	6470018-00	Front roller tube MT head	
42	0	NOT IN USE	HERE	
43	1	4312520	Gearbox BVPY 1018053 G122 MT rear head	
44	1	3833902	Plastic cup d 38 x D 42 x h 11 H2763	Supplied by Maredo (initially)
45	1	9653020	Safety decal standard	Supplied by Maredo
46	1	6470008-02	Bearing house input shaft rear MT head 144	
47	8	3010200	Washer M10 DIN 125A	
48	1	4068302	Timed belt pulley HTD TB30-8M-30 1215	Maredo ??
49	19	7030029-01	Distance bush Hex 27 L=29.1	
50	1	6470028-00	Front roller shaft MT head	
51	1	4023100	Timing belt ContTech 8M CXA 776 30 mm wid	Supplied by Maredo (initially)
52	1	3671400	Hose clamp D80-100 B=10 standard	
53	7	3833402	Plastic cup d8.5 x D 13 x h 6.9 5408513 Z	Supplied by Maredo (initially)
54	0	NOT IN USE	HERE	
55	2	3905200	Cir clip d=20 DIN 471	
56	1	6030182-01	LH Reinforcement strip front roller support M	= part of the welded assy 7455106
57	4	6030208-00	Seal washer for rear wheel MT head d20 D4	
58	2	3510000	Nut M10 DIN 934	
59	1	3610161	Bolt M10 x 16 DIN 933	
60	2	6030168-01	Side panel for MT200 chassis 1443	= part of the welded main chassis 7455104
61	5	4565202	Rubber block D50 x H20 M10xL=15 type A 55S	
62	2	3606801	Bolt M6x 80 DIN 933	
63	1	6470004-01	Input drive shaft rear MT Head 1443	
64	1	9653001-01	Maredo Logo oval 170x 80 mm decal	Supplied by Maredo
65	1	7038019-00	Distance bush Hex 27 L=19.1	
66	1	2425302	Bearing SB 205 Self	
67	0	NOT IN USE	HERE	
68	5	3610401	Bolt M10 x 40 DIN 933	
69	2	3606060	Grease nipple M6 straight	
70	1	3911432	Key 8 x 32 DIN 6885	
71	2	6470012-00	Central spindle hex 32 support shaft for MT	
72	2	6030211-00	Stainless steel seal washer for 6202 bearing	
73	1	4068825	Taper lock 2012-25	
74	4	3608161	Bolt M8 x 16 Din 933	
75	2	6470040-00	Nut M6 x L=12 for rear wheel scraper	
76	2	6506062-01	Stud M6 x 60 MT cover 1440	
77	1	4068440	Timed belt pulley HTD TB 44-8M-30 2015	Maredo ??
78	1	3612201	Bolt M12 x 20 DIN 933	

Item #	Quant.	PartNumber+Name	MT200 Rear Head	Comment NOV2014
79	4	3512000	Nut M12 DIN 934	
80	2	3010100	Shim washer D16 x d10 x s1 D988	
81	20	1838220-01	Carbide tipped disk for MT200 W=2.3 TP	Supplied by Maredo
82	2	9653024-00	Depth indicator detail MT 200	Supplied by Maredo
83	1	6427630-02	Main shaft Hex 27 for MT200 1440	
84	4	3606166	Self threading bolt M6x16 DIN 7500	
85	1	6030170-01	Centre bridge panel for MT200 chassis 1435	= part of the welded main chassis 7455104
86	1	6030158-01	Top cover tooth belt drive at MT head	
87	17	3508004	Self lock nut M8 D985	
88	1	6470053-00	Low height nut M27 x 1.5 D36 self made	
89	2	6470032-00	Pivot bush front roller frame MT head	
90	1	6030189-00	Mounting ring for PTO cover MFrame	
91	2	3812015	Distance bush d20x D26 x L15 88062216 N	Maredo ??
92	2	4084825	Taperlock bush 1210-25	
93	1	6030174-01	Main beam front roller support MT head 144	= part of the welded assy 7455106
94	1	6030164-01	Rear exhaust cover MT200 verticut head 14	
95	8	3606161	Bolt M6x 16 DIN 933	
96	2	3512004	Self lock nut M12 D985	
97	1	3610606	Set screw M10 x 60	
98	1	6001049-00	Seal plate 205 Bearing D49 d20 s1	
99	2	3506002	Knurled thumb nut M8 DIN 467 plated	
100	2	3610704	Multiturn head Bolt M10 x 70 DIN 603	
101	1	7038015-00	Distance bush Hex 27 L15 2011	
102	2	2025151	Bearing 6205 2RS	Make: CX or KBS
103	2	4053181	Sprocket wheel 1210 1_2x18	
104	2	2016111	Bearing 6202 2RS	Make: CX or KBS
105	2	3912500	Cir clip d=25 DIN 471	
106	1	6003045-01	Washer HA bearing 46-25-3 1440	
107	1	6004030-00	Washer MT main shaft D30 d12 s4	
108	1	9653010	CE Decal standard	Supplied by Maredo
109	2	6470022-00	Front roller tube end plates MT heads	
110	4	3610930	Bolt M10 x 130 DIN 931	
111	16	3506004	Self made nut M6 985	



- ASSEMBLING THE ROLLER:**
1. Mount nut # 14 at 11 mm from the shaft # 50 end. USE LOCTITE TO SECURE THE NUT.
 2. Mount the shaft 50 in bearing 104 and tighten with bush 29.
 3. Next assemble the whole roller and tighten bearings with bush 29 (at the left side).
 4. Tighten this bush # 29 left till the axial play is gone and the shaft still runs well.
 5. Use LOCTITE on the 29 bush as well.
 6. Next the roller can be mounted in the macine, using bolt 59 and nut 20

The blades should be mounted in a spiral.



TIGHTEN THE NUT WITH 1200 NM + USE LOCTITE