

**PEERLESS CONCRETE PRODUCTS CO.**  
*SINCE 1959*

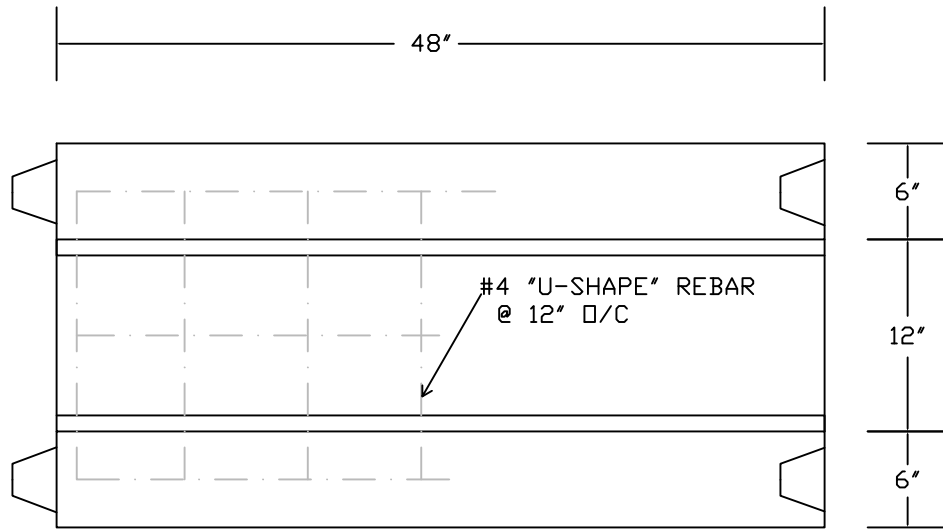
**INDEX**

<b>ITEM</b>	<b>PAGE</b>
<b>Section F- <i>Trench Drains (Index)</i></b>	F-1
Trench Drain 12" X 12" X 48"	F-2
Trench Drain 12" X 12" X 96"	F-3
Trench Drain 18" X 18" X 96"	F-4
Trench Drain 24" X 24" X 96"	F-5
Trench Drain Sample Drawing	F-6

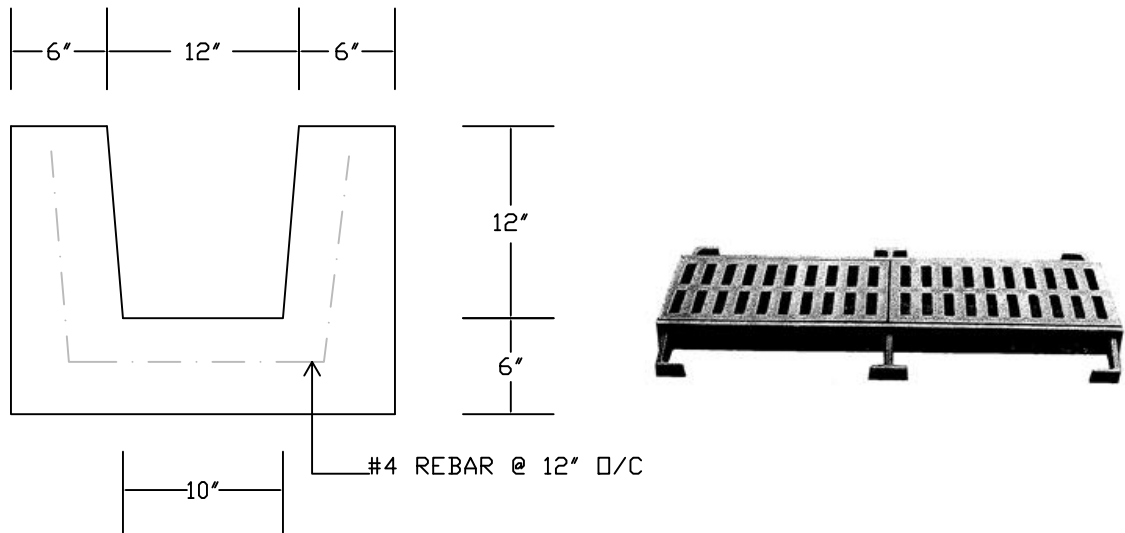
F-1

# PEERLESS CONCRETE PRODUCTS CO.

—SINCE 1959—



PLAN VIEW



SECTION VIEW

## TRENCH DRAIN 12" X 12" X 48"

(AS BUILT BY PEERLESS)

### NOTES:

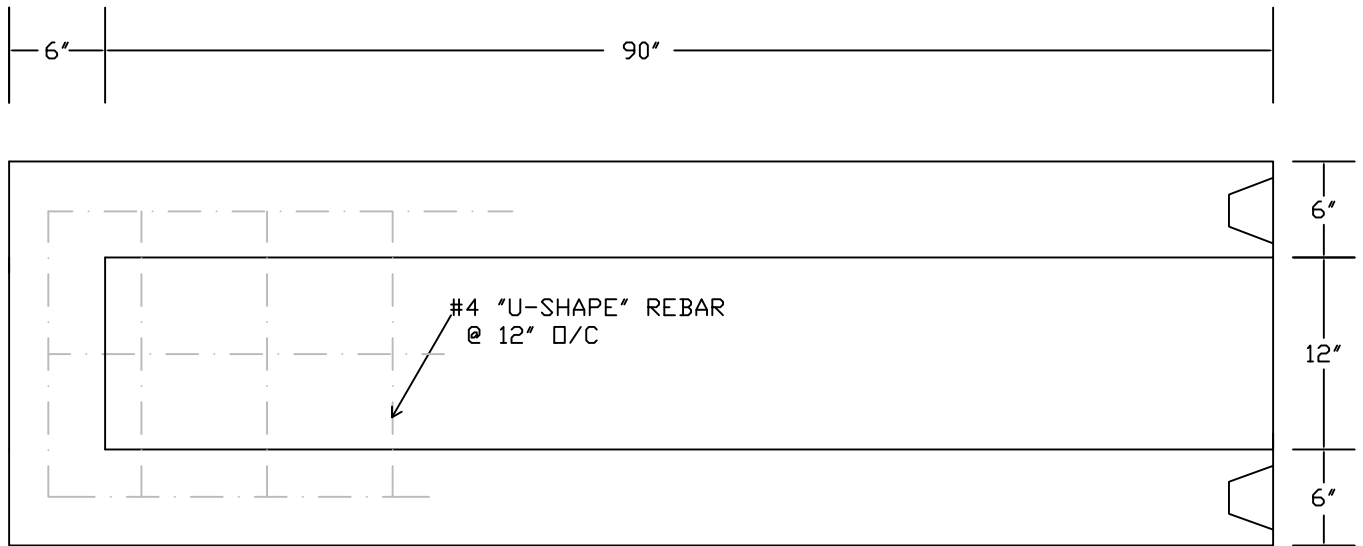
- HS-20 LOAD RATED
- CONCRETE 4,500 PSI @ 28 DAYS
- REINFORCING: AS SPECIFIED
- GRADE 60 REBAR
- SCALE: 1"=1'-0"

- 9" X 9" KNOCKOUT PROVIDED ON END UNITS
- MANUFACTURED IN ACCORDANCE WITH ASTM C-890

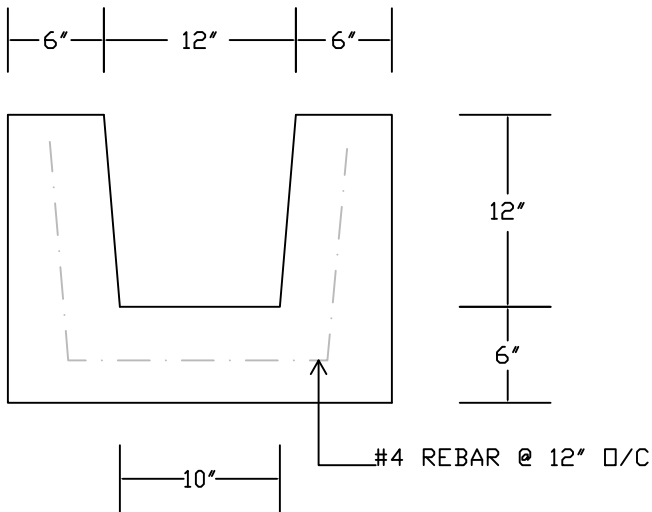
**F-2**

**PEERLESS CONCRETE PRODUCTS CO.**

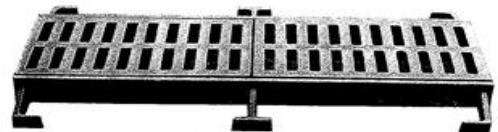
—SINCE 1959—



PLAN VIEW



SECTION VIEW



**TRENCH DRAIN 12" X 12" X 96"**

(AS BUILT BY PEERLESS)

NOTES:

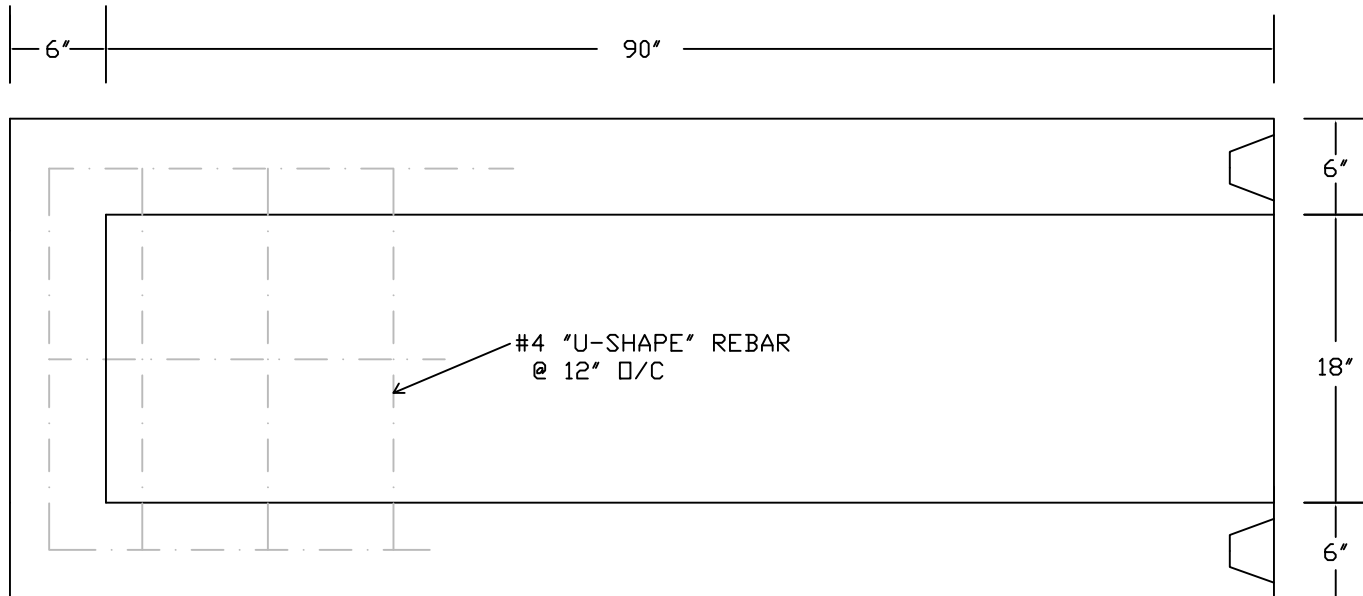
- HS-20 LOAD RATED
- CONCRETE 4,500 PSI @ 28 DAYS
- REINFORCING: AS SPECIFIED, GRADE 60
- SCALE: 1"=1'-0"

- 9" X 9" KNOCKOUT PROVIDED ON END UNITS
- MANUFACTURED IN ACCORDANCE WITH ASTM C-890

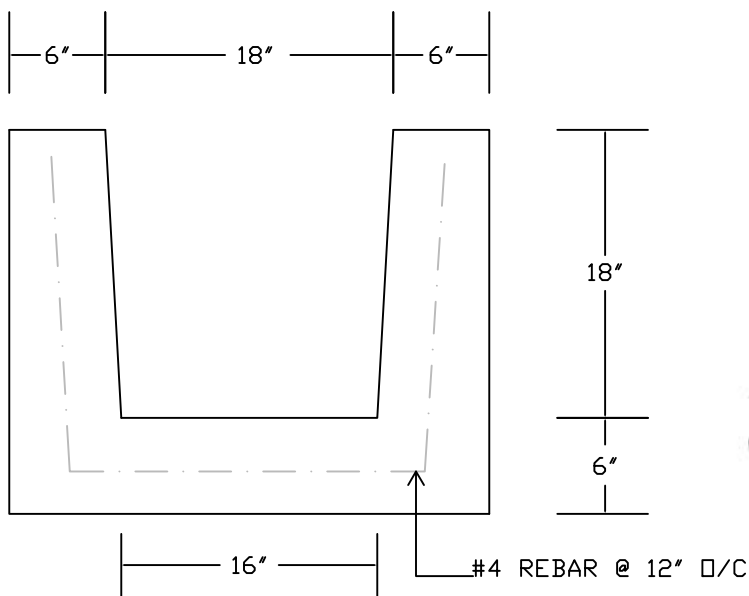
**F-3**

# PEERLESS CONCRETE PRODUCTS CO.

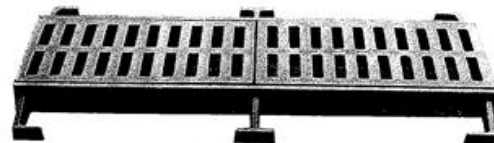
—SINCE 1959—



PLAN VIEW



SECTION VIEW



## TRENCH DRAIN 18" X 18" X 96"

(AS BUILT BY PEERLESS)

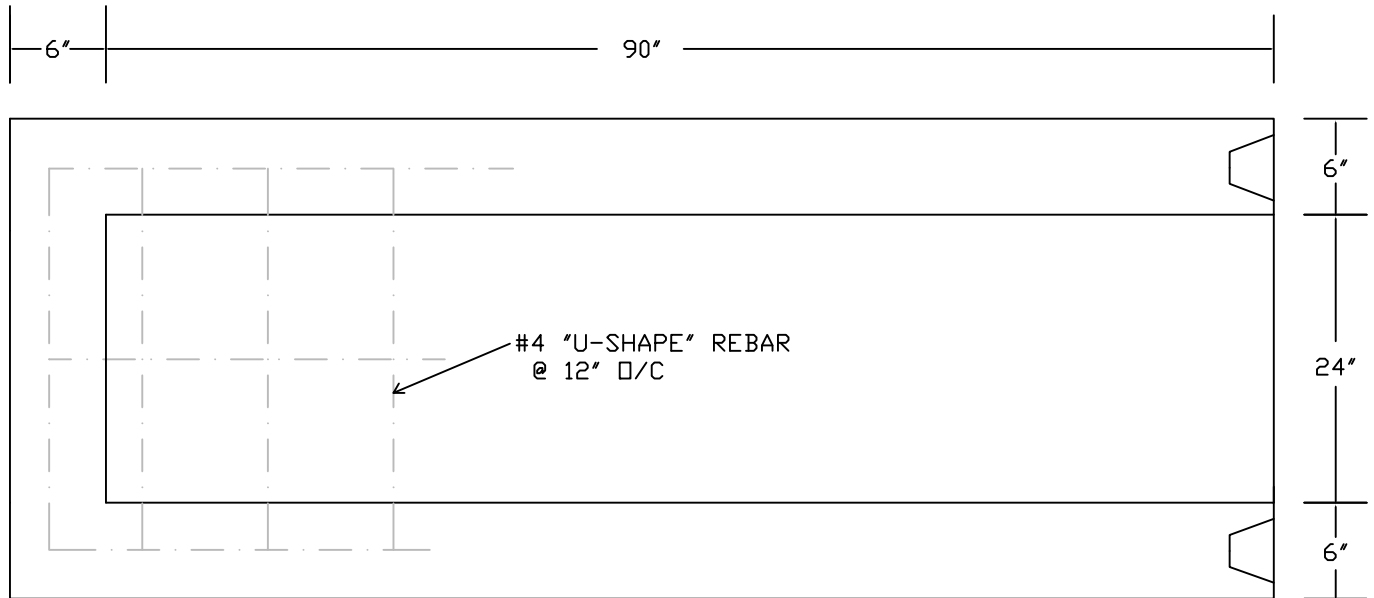
### NOTES:

- HS-20 LOAD RATED
- CONCRETE 4,500 PSI @ 28 DAYS
- REINFORCING: AS SPECIFIED, GRADE 60
- SCALE: 1"=1'-0"
- 12" X 12" KNOCKOUT PROVIDED ON END UNITS
- MANUFACTURED IN ACCORDANCE WITH ASTM C-890

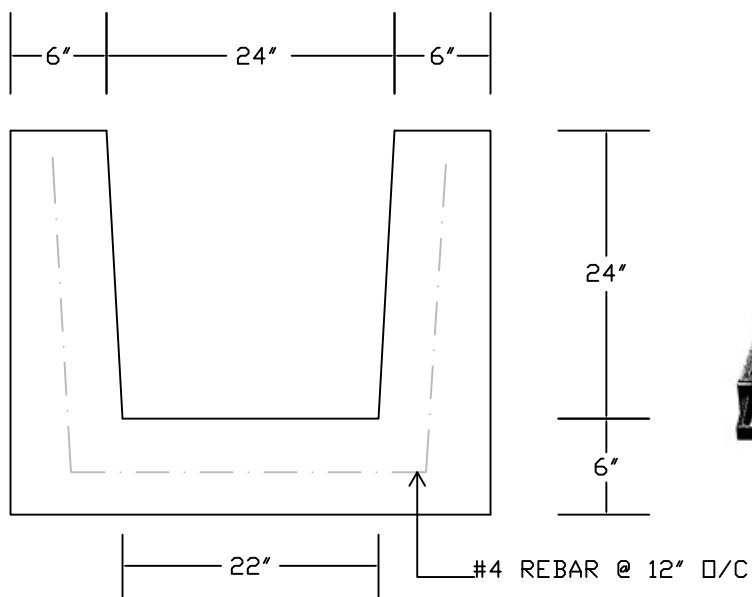
F-4

# PEERLESS CONCRETE PRODUCTS CO.

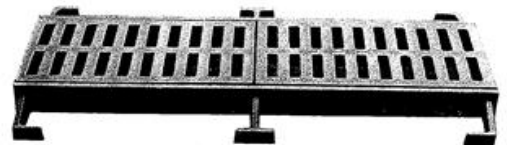
— SINCE 1959 —



PLAN VIEW



SECTION VIEW



## TRENCH DRAIN 24" X 24" X 96"

(AS BUILT BY PEERLESS)

### NOTES:

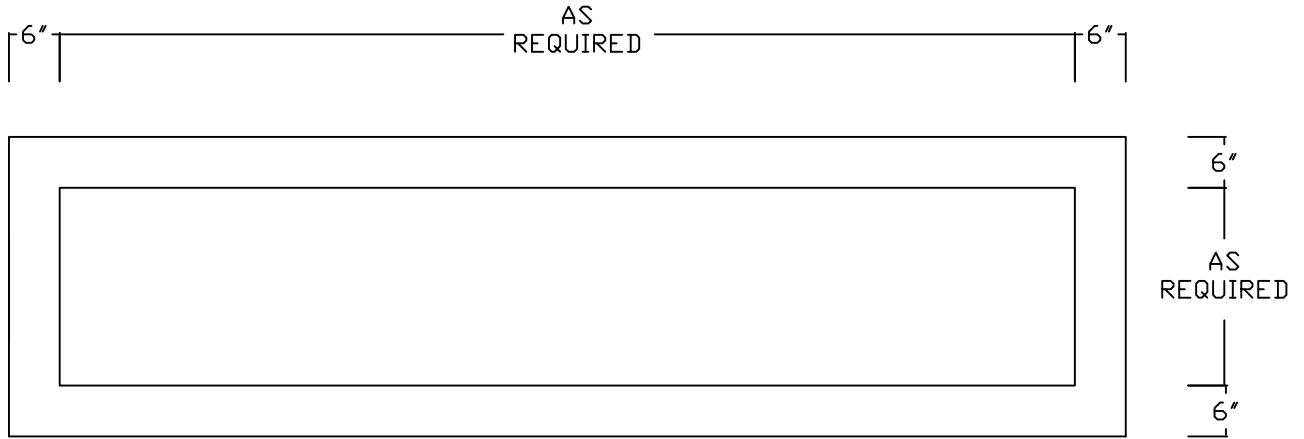
- CONCRETE 4,500 PSI @ 28 DAYS
- REINFORCING: AS SPECIFIED, GRADE 60
- HS-20 LOAD RATED
- SCALE: 1"=1'-0"
- 21" X 21" KNOCKOUT PROVIDED ON END UNITS
- MANUFACTURED IN ACCORDANCE WITH ASTM C-890

**F-5**

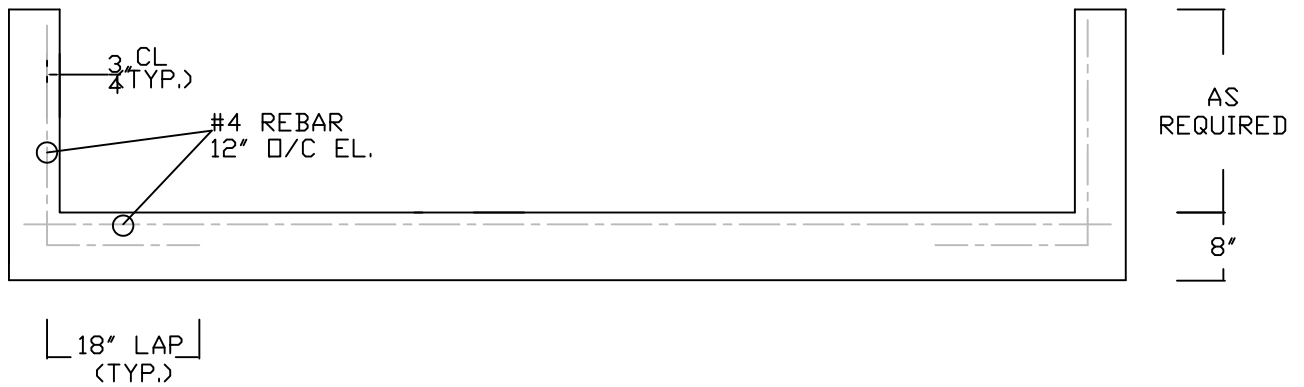
973.838.3060p - [www.peerlessconcrete.com](http://www.peerlessconcrete.com) - 973.838.3385f  
Butler, NJ

# PEERLESS CONCRETE PRODUCTS CO.

—SINCE 1959—



PLAN VIEW



SECTION VIEW

## TRENCH DRAIN SAMPLE DRAWING

(AS BUILT BY PEERLESS)

### NOTES:

- HS-20 LOAD RATED
- CONCRETE 4,500 PSI @ 28 DAYS
- REINFORCING: AS SPECIFIED
- GRADE 60 REBAR

- MANUFACTURED IN ACCORDANCE WITH
- ASTM C-890
- SCALE: NTS

**F-6**