

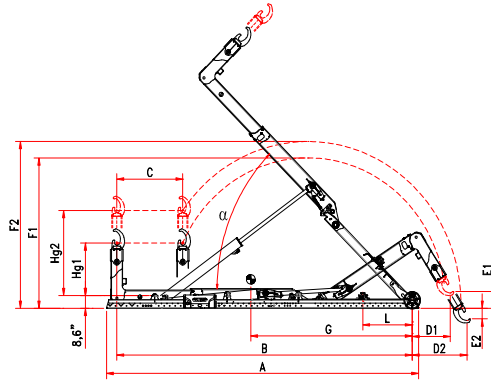


b.o.b. Sistemi Idraulici S.p.A.

unilift[®]

**COMPANY WITH
QUALITY SYSTEM
CERTIFIED BY DNV GL
= ISO 9001 =**

HOOKLIFT « T 22.000-26.000/6 MS DOUBLE HOOK HEIGHT »



MODEL	T 22.000-26.000/6 XC MS	T 22.000-26.000/6 C MS	T 22.000-26.000/6 NC MS	T 22.000-26.000/6 N MS	T 22.000-26.000/6 NL MS	T 22.000-26.000/6 L MS
Hg1	35,63" (905 mm)	35,63" (905 mm)	35,63" (905 mm)	35,63" (905 mm)	35,63" (905 mm)	35,63" (905 mm)
Hg2	53,88" (1.369 mm)	53,88" (1.369 mm)	53,88" (1.369 mm)	53,88" (1.369 mm)	53,88" (1.369 mm)	53,88" (1.369 mm)
A	200" (5.080 mm)	200" (5.080 mm)	200" (5.080 mm)	207,87" (5.280 mm)	215,74" (5.480 mm)	235,43" (5.680 mm)
B	173,22" (4.400 mm)	181,1" (4.600 mm)	204,72" (4.800 mm)	196,85" (5.000 mm)	204,72" (5.200mm)	220,47" (5.400mm)
C	31,49" (800 mm)	39,37" (1.000 mm)	40,74" (1.200 mm)	40,74" (1.200 mm)	40,74" (1.200 mm)	40,74" (1.200 mm)
D1	49,21" (1.250 mm)	49,21" (1.250 mm)	49,21" (1.250 mm)	41,33" (1.050 mm)	33,46" (850 mm)	25,59" (650 mm)
D2	62,2" (1.580 mm)	62,2" (1.580 mm)	62,2" (1.580 mm)	54,33" (1.380 mm)	46,45" (1.180 mm)	38,58" (980 mm)
E1	9,85" (250 mm)	9,85" (250 mm)	9,85" (250 mm)	9,85" (250 mm)	9,85" (250 mm)	9,85" (250 mm)
E2	8,66" (220 mm)	8,66" (220 mm)	8,66" (220 mm)	8,66" (220 mm)	8,66" (220 mm)	8,66" (220 mm)
F1	101,57" (2.580 mm)	101,57" (2.580 mm)	101,57" (2.580 mm)	101,57" (2.580 mm)	101,57" (2.580 mm)	101,57" (2.580 mm)
F2	113,38" (2.880 mm)	113,38" (2.880 mm)	113,38" (2.880 mm)	113,38" (2.880 mm)	113,38" (2.880 mm)	113,38" (2.880 mm)
G	96,06" (2.440 mm)	97,63" (2.480 mm)	98,81" (2.510 mm)	104,72" (2.660 mm)	110,23" (2.800 mm)	115,74" (2.940 mm)
L	19,64" (500 mm)	19,64" (500 mm)	19,64" (500 mm)	27,55" (700 mm)	35,43" (900 mm)	39,37" (1000 mm)
Weight*	3.760 lb (1.705Kg)	3.760 lb (1.705Kg)	3.760 lb (1.705Kg)	3.835 lb (1.740 Kg)	3.890 lb (1.765 Kg)	3.945 lb (1.790 Kg)
α	55°	55°	55°	51°	48°	45°
Container min. max.	14' - 17' (4.270-5.181 mm)	14' - 17' (4.270-5.181mm)	14' - 18' (4.267-5.486 mm)	14' - 19' (4.267-5.791 mm)	15' - 20' (4.572-6.096 mm)	16' - 20' (4.876-6.096 mm)
LIFTING CAPACITY Hg1	22.000 lb (10.000 Kg)	22.000 lb (10.000 Kg)	22.000 lb (10.000 Kg)	22.000 lb (10.000 Kg)	22.000 lb (10.000 Kg)	22.000 lb (10.000 Kg)
LIFTING CAPACITY Hg2	26.000 lb (11.820 Kg)	26.000 lb (11.820 Kg)	26.000 lb (11.820 Kg)	26.000 lb (11.820 Kg)	26.000 lb (11.820 Kg)	26.000 lb (11.820 Kg)
TIPPING CAPACITY	26.000 lb (11.820 Kg)	26.000 lb (11.820 Kg)	26.000 lb (11.820 Kg)	26.000 lb (11.820 Kg)	26.000 lb (11.820 Kg)	26.000 lb (11.820 Kg)

*Weight: basic hooklift weight without kit and options

The technical details shown in this sheet are indicative and can be changed by the builder without prior notice

B.O.B. Sistemi Idraulici S.p.A. – Regione Oltre Rea, 32 – 12060 Monchiero (CN) - Italia

P. I.V.A. 00496180043 - Tel.: +39 (0173) 780002/3 – Fax: +39 (0173) 780004

Internet: www.bobspa.com - E-mail: info@bobspa.com