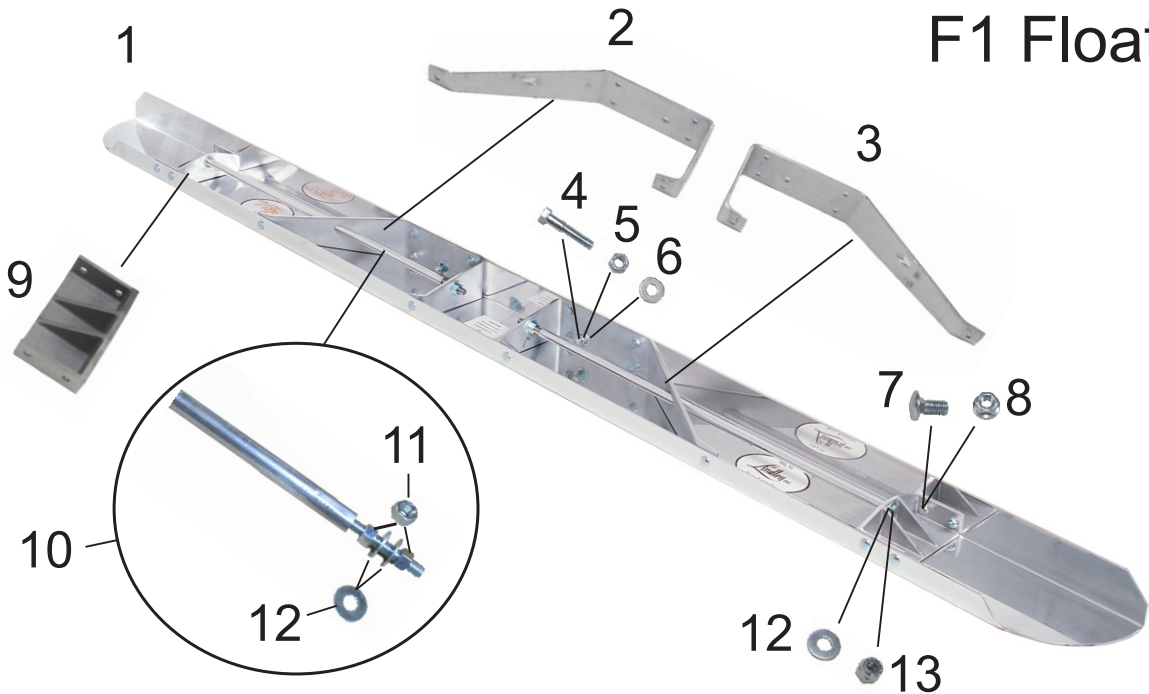


F1 Float Parts



| Item | Part Number | Description |
|------|-------------|---|
| 1 | See Below | F1 Wet Screed Float (Can be used with Vibra Strike I and Vibra Strike II) |
| | FM3104 | 4' F1 Wet Screed Float |
| | FM3105 | 5' F1 Wet Screed Float |
| | FM3106 | 6' F1 Wet Screed Float |
| | FM3108 | 8' F1 Wet Screed Float |
| | FM3110 | 10' F1 Wet Screed Float |
| | FM3112 | 12' F1 Wet Screed Float |
| | FM3114 | 14' F1 Wet Screed Float |
| | FM3116 | 16' F1 Wet Screed Float |
| 2 | FB325 | Left Center Bracket |
| 3 | FB320 | Right Center Bracket |
| 4 | FM3027 | 7/16" Hex Bolt 2" Lg w/14 Thd |
| 5 | TL040 | 7/16" Nut |
| 6 | TL010 | 7/16" Flat Washer |
| 7 | FM3040 | 5/16" Carriage Bolt 3/4" Lg 18 Thd |
| 8 | TL041 | 5/16" Flng Lk Nut 18 Thd |
| 9 | FB350 | F1 End Casting |

| Item | Part Number | Description |
|------|-------------|--|
| 10 | See Below | Adjusting Rod for F1 Floats |
| | FB308 | Adjusting Rod for 8' or 16' F1 Float |
| | FB310 | Adjusting Rod for 10' or 16' F1 Float |
| | FB312 | Adjusting Rod for 12' or 14' F1 Float |
| 11 | TL015 | 3/8" Flat Head Nut |
| 12 | FM3033 | 5/16" Flat Washer (Used on both ends of tension rod) |
| 13 | FM3034 | 3/8" Nylock Nut |