

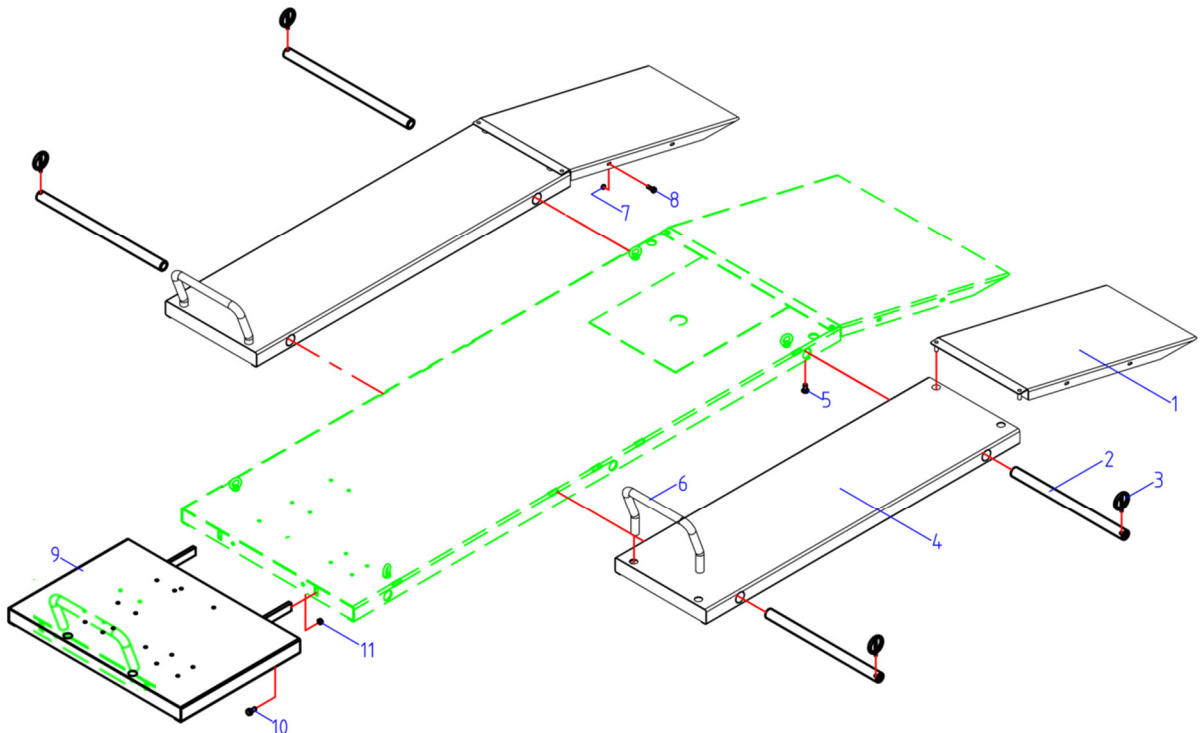


A Division of **TUXEDO** Distributors, LLC.

TRIKE KIT

TRIKEKIT-2200IEH

1. Exploded Drawing



2. Installation

- 2.1 Completely insert the rods (2) through the holes on TRIKE Kit side extension panels (4).
- 2.2 Secure the rods with bolt (5).
- 2.3 Insert the securing pin (3) on each end of rod.
- 2.4 Insert ramps (1) at the end of the TRIKE Kit side extension panels.
- 2.5 Secure ramps together with nut (7) and bolt (8).
- 2.6 Insert the wheel stops (6) at the front of the TRIKE Kit side extension panels.
- 2.7 Insert the front extension panel (9) into the platform.
- 2.8 Secure the front extension panel to platform with bolt (10) and nut (11).

3. Parts List

No.	Part No.	Description	Qty.
1	JP23-03200-PB3	Ramp	2
2	JP23-03001-PB3	Rod	4
3	JP04-00005-000	Securing pin	4
4	JP23-03100-PB3	Side extension panel	2
5	5121-10016-000	Bolt	4
6	JP17-00011-000	Wheel stop	2
7	5202-00008-000	Hex nut	4
8	5103-08025-000	Hex bolt	4
9	JP23-07000-JC1	Front extension panel	1
10	5117-10025-000	Bolt	2
11	5202-00008-000	Nut	2

LIMITED WARRANTY

Structural Warranty:

The following parts and structural components carry a five year warranty:

Columns	Arms	Uprights	Swivel Pins
Legs	Carriages	Overhead Beam	
Tracks	Cross Rails	Top Rail Beam	

Limited One-Year Warranty:

Tuxedo Distributors, LLC (iDEAL) offers a limited one-year warranty to the original purchaser of Lifts and Wheel Service equipment in the United States and Canada. Tuxedo will replace, without charge, any part found defective in materials or workmanship under normal use, for a period of one year after purchase. The purchaser is responsible for all shipping charges. This warranty does not apply to equipment that has been improperly installed or altered or that has not been operated or maintained according to specifications.

Other Limitations:

This warranty does not cover:

1. Parts needed for normal maintenance
2. Wear parts, including but not limited to cables, slider blocks, chains, rubber pads and pulleys
3. Replacement of lift and tire changer cylinders after the first 30 days. A seal kit and installation instructions will be sent for repairs thereafter.
4. On-site labor

Upon receipt, the customer must visually inspect the equipment for any potential freight damage before signing clear on the shipping receipt. Freight damage is not considered a warranty issue and therefore must be noted for any potential recovery with the shipping company.

The customer is required to notify Tuxedo of any missing parts within 72 hours. Timely notification must be received to be covered under warranty.

Tuxedo will replace any defective part under warranty at no charge as soon as such parts become available from the manufacturer. No guarantee is given as to the immediate availability of replacement parts.

Tuxedo reserves the right to make improvements and/or design changes to its lifts without any obligation to previously sold, assembled or fabricated equipment.

There is no other express warranty on the Tuxedo lifts and this warranty is exclusive of and in lieu of all other warranties, expressed or implied, including all warranties of merchantability and fitness for a particular purpose.

To the fullest extent allowed by law, Tuxedo shall not be liable for loss of use, cost of cover, lost profits, inconvenience, lost time, commercial loss or other incidental or consequential damages.

This Limited Warranty is granted to the original purchaser only and is not transferable or assignable.

Some states do not allow exclusion or limitation of consequential damages or how long an implied warranty lasts, so the above limitations and exclusions may not apply. This warranty gives you specific legal rights and you may have other rights, which may vary from state to state.

1905 N Main St Suite C, Cleburne, TX 76033

Ph 817-558-9337 / Fax 817-558-9740