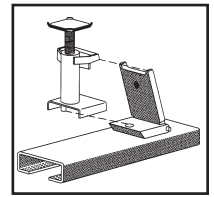




Lift Repair Catalog

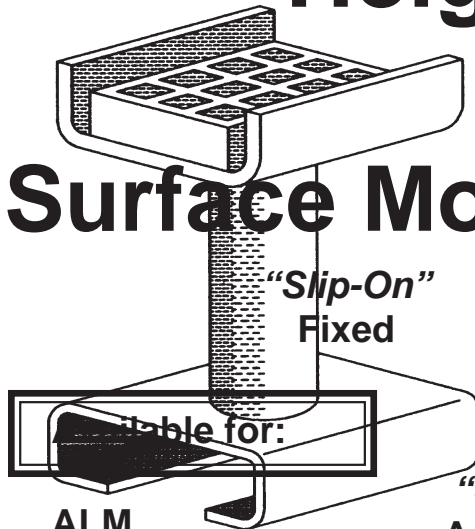


LRC7090F

S V I International, Inc. - Lift Repair Parts

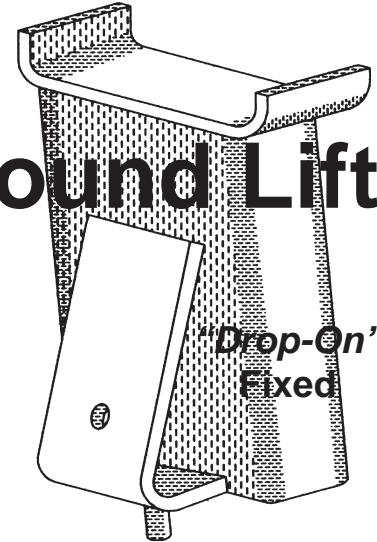
August 2003

Height Extensions for Surface Mount & In-Ground Lifts



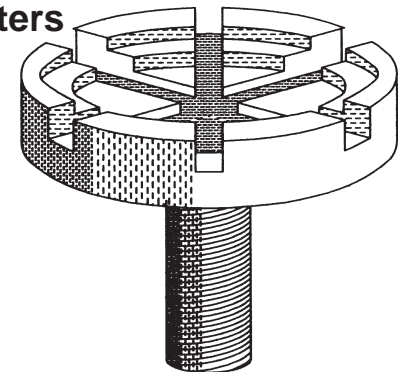
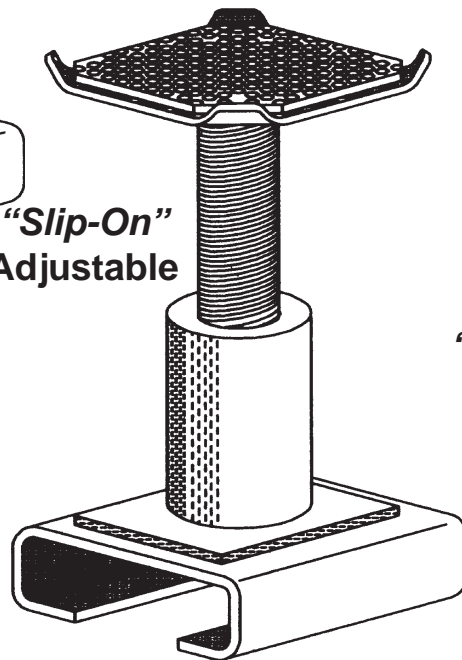
"Slip-On"
Fixed

"Slip-On"
Adjustable



"Drop-On"
Fixed

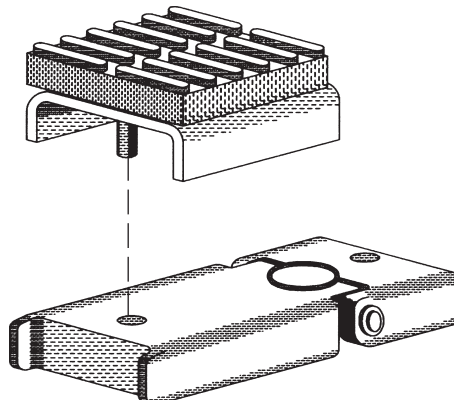
"Screw-Up"
Adapters



- ALM
- Alamo
- American
- Amm
- Berwin/Bishamon
- Challenger
- Eagle
- Force
- Forward
- General
- Garco
- Globe
- Grand
- Hydra-Lift
- Manitowoc
- Nussbaum
- Rotary
- VBM
- Weaver
- Werber
- Western
- Worth

... or Any Other Make of Lift,
Call SVI for Details.

**Also Contains: Complete Listing
of Replacement
Rubber Arm & Extension Pads.**



"Nesting"
Fixed



Table of Contents

Page 5	Type LDR			Available for: Benwil, Eagle, old Grand, old Worth, Gilbarco, Globe, Grand, Hydralift, Manitowoc, Nussbaum, Force & Western
Page 6 - 8	Type HDR		Type HDRNRW	Available for: ALM, Alamo, Benwil, Bishamon, Challenger, VBM, American, Eagle, Worth, Grand, Forward, Gilbarco, Globe, Hydralift, Manitowoc, Nussbaum, Force, Western & Worth
Page 9	Type LDH			Available for: American, Ammco, Challenger, VBM, Eagle, Forward, Gilbarco, Grand, Hydralift, Manitowoc, Nussbaum, Force & Worth
Page 10	Type ALDH			Available for: ALM, American, Ammco, Challenger, VBM, Forward, Gilbarco, Grand, Hydralift, Manitowoc, Nussbaum, Phoenix, Force & Worth
Page 11, 12	Type AHDR		Type AH-	Available for: ALM, Alamo, American, Ammco, Benwil, Bishamon, Challenger, VBM, Eagle, Forward, Gilbarco, Globe, Grand, Hydralift, Manitowoc, Nussbaum, Force, Phoenix, Western & Worth
Page 13, 14	Type LDRND		Type AL-	Available for: Hydralift, Nussbaum, Force & Phoenix
Page 15	Type ARND		Type AARND	Available for: ALM
Page 16	Type LDM			Available for: ALM, American, Ammco Benwil, Bishamon, Challenger, VBM, Eagle, Forward, Gilbarco, Globe, Grand, Hydralift, Manitowoc, Nussbaum, Force, Western & Worth



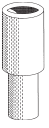

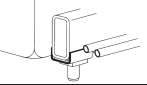
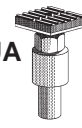



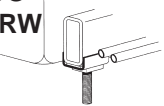
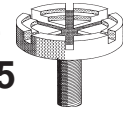
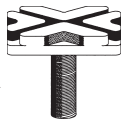
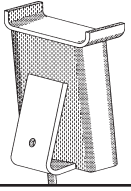

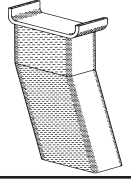
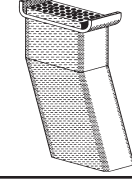
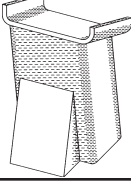
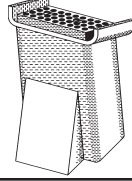
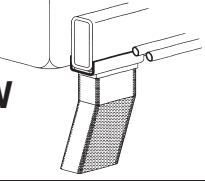
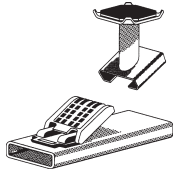
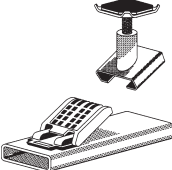
Continued

Please Note: specifications are subject to change.

To Order Call: 800 321-8173 or 630-844-5566 / Fax: 800-899-1784 or 630-844-6770

All names, numbers, symbols and descriptions are used for reference purposes only. It is not implied that any part listed is the product of these manufacturers; however, some parts may be the actual product of these manufacturers.

Table of Contents

Page 17, 18	Type NS 	Type NSP 	Type NSPNRW 	Type NSPSUA 	Available for: Any Lifts using Nesting Style Extensions & Adapters
Page 19, 20	Type SUH 5" 	Type SUH 6" 	Type SUR6 		Available for: Any Lifts using 1-1/4"-7 or 1-3/8"-6 Threads or 1-3/8"-4 ACME. Lengths from 4" up to 10"
Page 20, 21	Type SUNRW 	Type SUR5 	Type SURX 		Available for: Any Lifts using 1"-8, 1-1/4"-7 or 1-3/8"-6 Threads or 1-3/8"-4 ACME. Lengths from 4" up to 10"
Page 22	Type SOR 	Type SORP 			Available for: Rotary & General
Page 23	Type SOM 	Type SOMP 			Available for: Ford Smith, Gilbarco, Globe, Manitowoc & Western
Page 24	Type SOCW 	Type SOCWP 			Available for: Challenger & Weaver
Page 25	Type SONRW 				Available for: Challenger & Weaver
Page 26	Type SOGP 	Type SOGPA 			Available for: Gilbarco, Globe & Manitowoc



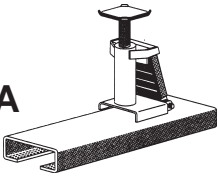
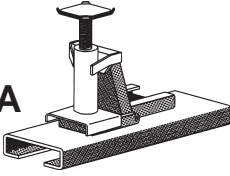
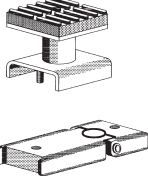
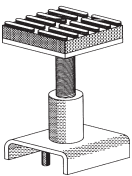
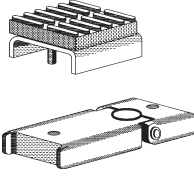
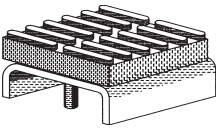
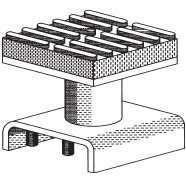
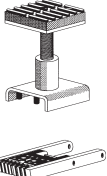
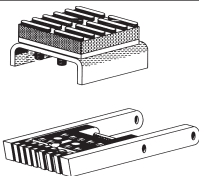
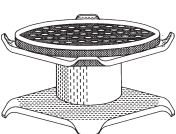
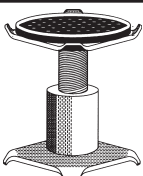
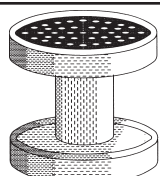
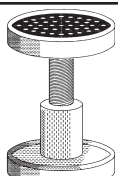
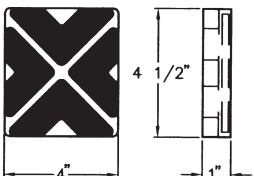
Continued

Please Note: specifications are subject to change.

To Order Call: 800 321-8173 or 630-844-5566 / Fax: 800-899-1784 or 630-844-6770

All names, numbers, symbols and descriptions are used for reference purposes only. It is not implied that any part listed is the product of these manufacturers; however, some parts may be the actual product of these manufacturers.

Table of Contents

Page 27	Type SORNA 	Type SOWNA 	Available for: Rotary, Wheeltronic & Western
Page 28	Type SPR 	Type ASPR 	Available for: Rotary & General
Page 29	Type SPR1 	Type SPW1 	Available for: for Rotary, General & Western
Page 30	Type SPCW 	Type ASPCW 	Available for: Challenger & Weaver
Page 31	Type SPCW1 		Available for: Challenger & Weaver
Page 32	Type LRPS 	Type ALRPS 	Ideal for most low rise, pad and scissor lifts
Page 33	Type LRPR 	Type ALRPR 	Ideal for most low rise, pad and scissor lifts
Page 34, 35	Replacement Rubber Arm Pads		Available for: ALM, Ammco, Benwil, Bishamon, Challenger, VBM, Forward, Fuchs, Globe, Ford Smith, Hofmann, Hydra-lift, Gilbarco, Manitowoc, Nussbaum, Force, PMW, Phoenix, Bend-Pak, Western, Grand, etc.



Please Note: specifications are subject to change.

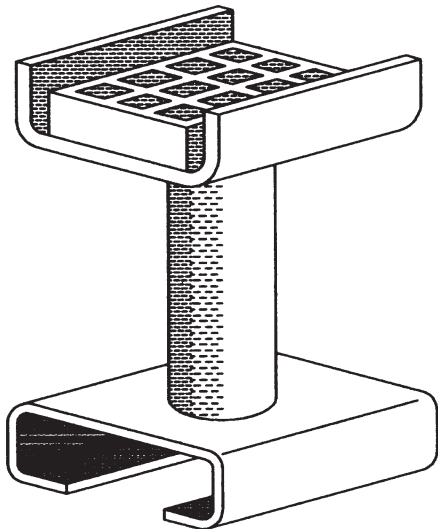
To Order Call: 800 321-8173 or 630-844-5566 / Fax: 800-899-1784 or 630-844-6770

All names, numbers, symbols and descriptions are used for reference purposes only. It is not implied that any part listed is the product of these manufacturers; however, some parts may be the actual product of these manufacturers.

Height Extension Adapters

Type - LDR

For Surface Mount Lifts



This Height Extension Adapter has a 4-1/2" long rectangular top formed from heavy, 5/16" steel plate with a Replaceable Rubber Pad. The top is welded to a 2" O.D. tube. The "Slip-On" bottom is formed from 3/16" steel and welded to the tube to fit each of the lifts listed below:

*Lift Manufacturer Standard
Spin-Up Characteristics:*

Benwil & Bishamon - flat, rectangular pads on spin-up type adapter.

old American, old Eagle, old Grand, old Worth - spin-up has flat rectangular pads with X-pattern.

Gilbarco - spin-up with four corners turned up.

American, Eagle & Grand - spin-up with four corners turned up. **Note:** Grand has made several adapter changes over the years. Dimensions may need to be verified before shipment is made.

Hydra-lift (1) - spin-up has four corners turned up.

Hydra-lift (2) - spin-up with round pad.

Manitowoc - spin-up has two sides turned up.

Nussbaum & Force - spin-up with round pad.

Western - spin-up has flat rectangular pad with X-pattern.

Features

- Replaceable Rubber Pad - order BH-7205
- Bright Yellow Paint Finish

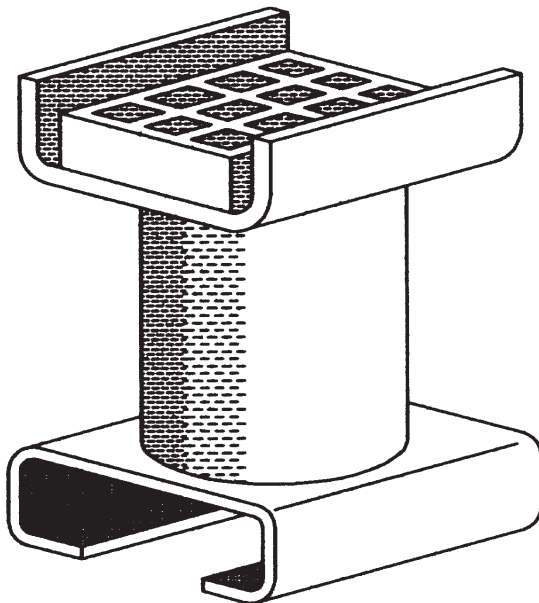
SVI Part Number	for Lift Mfg by:	Height	SVI Part Number	for Lift Mfg by:	Height
BH-7202-50	Benwil/	3"	BH-7290-16	Hydra Lift	3"
BH-7202-51	Bishamon	4"	BH-7290-17	[1]	4"
BH-7202-52	(1-1/4 X 3-3/4	5"	BH-7290-18	(1-1/32 X 4-5/8	5"
BH-7202-53	"	6"	BH-7290-19	"	6"
BH-7202-54	"	7"	BH-7290-20	"	7"
BH-7376-10	old	3"	BH-7290-21	Hydra Lift	3"
BH-7376-11	old Eagle,	4"	BH-7290-22	[2]	4"
BH-7376-12	old Grand	5"	BH-7290-23	"	5"
BH-7375-02	&	6"	BH-7290-24	"	6"
BH-7376-14	old Worth	7"	BH-7290-25	"	7"
BH-7353-06	Gilbarco	3"	BH-7353-11	Manitowoc	3"
BH-7353-07	"	4"	BH-7353-12	"	4"
BH-7353-08	"	5"	BH-7353-13	"	5"
BH-7353-09	"	6"	BH-7353-14	"	6"
BH-7353-10	"	7"	BH-7353-15	"	7"
BH-7253-10	Globe	3"	BH-7450-23	Nussbaum	3"
BH-7253-11	"	4"	BH-7450-24	&	4"
BH-7253-12	"	5"	BH-7450-25	Force	5"
BH-7253-13	"	6"	BH-7450-26	(1-1/8 x 5-1/4)	6"
BH-7253-14	"	7"	BH-7450-27	"	7"
BH-7376-15	Grand,	3"	BH-7749-97	Western	3"
BH-7376-16	Eagle	4"	BH-7749-98	(1-1/8 x 4-5/32	4"
BH-7376-17	&	5"	BH-7749-99	"	5"
BH-7375-02N	American	6"	BH-7750-01	"	6"

Height Extension Adapters *For* Type - HDR **Surface Mount Lifts**

This Height Extension Adapter has a 4-1/2" long rectangular top formed from heavy, 5/16" steel plate with a Replaceable Rubber Pad. The top is welded to a 3-1/2" O.D. tube. The "**Slip-On**" bottom is formed from 3/16" steel and welded to the tube to fit each of the lifts listed below:

Features

- Replaceable Rubber Pad - order BH-7205
- Bright Yellow Paint Finish



Lift Manufacturer Standard Spin-up Characteristics:

ALM - spin-up with round pad.

Benwil & Bishamon - flat rectangular pads on spin-up type adapter.

Challenger, VBM & new Ammco - spin-up with four corners turned up.

old American, old Eagle, old Grand, old Worth - spin-up has flat rectangular pads with X-pattern.

Forward & old square VBM - Forward spin-up with four corners turned up, VBM is flat.

Gilbarco - spin-up with four corners turned up.

Globe - flat, rectangular pad.

American, Eagle & Grand - spin-up with four corners turned up. **Note:** Grand has made several adapter changes over the years. Dimensions may need to be verified before shipment is made.

Hydra-lift (1) - spin-up has four corners turned up.

Hydra-lift (2) - spin-up with round pad.

Manitowoc - spin-up has two sides turned up.

Nussbaum, Phoenix & Force - spin-up with round pad.

Western - spin-up has flat rectangular pad with X pattern.

Worth - spin-up with four corners turned up.

**Height Extension Adapters**Type - *HDR***For
Surface Mount
Lifts**

SVI Part Number	For Lift Mfg By:	Height
BH-7150-42	ALM	3"
BH-7150-43	1-7/16 x 6)	4"
BH-7150-44	"	5"
BH-7150-45	"	6"
BH-7150-46	"	7"
BH-7150-47	"	8"
BH-7150-48	"	9"
BH-7150-49	"	10"
BH-7150-50	"	11"
BH-7150-51	"	12"
BH-7202-55	Benwil	3"
BH-7202-56	&	4"
BH-7202-57	Bishamon	5"
BH-7200-12	(1-1/4 x 3-3/4)	6"
BH-7202-58	"	7"
BH-7202-59	"	8"
BH-7200-12L	"	9"
BH-7202-60	"	10"
BH-7202-61	"	11"
BH-7202-62	"	12"
BH-7227-31	Challenger	3"
BH-7227-32	&	4"
BH-7227-33	VBM	5"
BH-7227-34	&	6"
BH-7227-35	new	7"
BH-7227-36	Ammco	8"
BH-7227-37	(1-5/16 x 4-7/8)	9"
BH-7227-38	"	10"
BH-7227-39	"	11"
BH-7227-40	"	12"
BH-7376-27	old	3"
BH-7376-28	old Eagle	4"
BH-7376-29	old Grand	5"
BH-7376-30	&	6"
BH-7376-31	old Worth	7"
BH-7376-32	"	8"
BH-7376-33	"	9"
BH-7376-34	"	10"
BH-7236-67	Forward	3"
BH-7236-68	"	4"
BH-7236-69	"	5"
BH-7236-70	"	6"
BH-7236-71	"	7"
BH-7236-72	"	8"
BH-7236-73	"	9"
BH-7236-74	"	10"
BH-7236-75	"	11"
BH-7236-76	"	12"

SVI Part Number	For Lift Mfg By:	Height
BH-7353-32	Gilbarco	3"
BH-7353-33	"	4"
BH-7353-34	"	5"
BH-7353-35	"	6"
BH-7353-36	"	7"
BH-7353-37	"	8"
BH-7353-38	"	9"
BH-7353-39	"	10"
BH-7253-15	Globe	3"
BH-7253-16	"	4"
BH-7253-17	"	5"
BH-7250-05	"	6"
BH-7253-19	"	7"
BH-7253-20	"	8"
BH-7253-21	"	9"
BH-7253-22	"	10"
BH-7253-27	Globe,	3"
BH-7253-28	Ford Smith	4"
BH-7253-29	AFO's	5"
BH-7253-30	"	7"
BH-7253-31	"	8"
BH-7253-32	"	9"
BH-7253-33	"	10"
BH-7376-35	Eagle,	3"
BH-7376-36	American	4"
BH-7376-37	&	5"
BH-7376-38	Grand	6"
BH-7290-42	Hydra Lift	3"
BH-7290-44	(1)	4"
BH-7290-45	(1-1/32 X 4-5/8)	5"
BH-7290-46	"	6"
BH-7290-47	"	7"
BH-7290-48	"	8"
BH-7290-49	"	9"
BH-7290-50	Hydra Lift	3"
BH-7290-51	(2)	4"
BH-7290-52	"	5"
BH-7290-53	"	6"
BH-7290-54	"	7"
BH-7290-55	"	8"
BH-7290-56	"	9"
BH-7290-57	"	10"

SVI Part Number	For Lift Mfg By:	Height
BH-7353-40	Manitowac	3"
BH-7353-41	"	4"
BH-7353-42	"	5"
BH-7353-43	"	6"
BH-7353-44	"	7"
BH-7353-45	"	8"
BH-7353-46	"	9"
BH-7353-47	"	10"
BH-7450-36	Nussbaum	3"
BH-7450-37	&	4"
BH-7450-38	Force	5"
BH-7450-39	&	6"
BH-7450-40	Phoenix	7"
BH-7450-41	(1-1/8 x 5-1/4)	8"
BH-7450-42	"	9"
BH-7450-43	"	10"
BH-7749-93	Western	3"
BH-7749-94	(1-1/8 x 4-5/32)	4"
BH-7749-95	"	5"
BH-7749-96	"	6"
BH-77702-41	Worth	3"
BH-7702-42	"	4"
BH-7702-43	"	5"
BH-7702-44	"	6"
BH-7702-45	"	7"
BH-7702-46	"	8"
BH-7702-47	"	9"
BH-7702-48	"	10"

To Order Call: 800 321-8173 or 630-844-5566 / Fax: 800-899-1784 or 630-844-6770

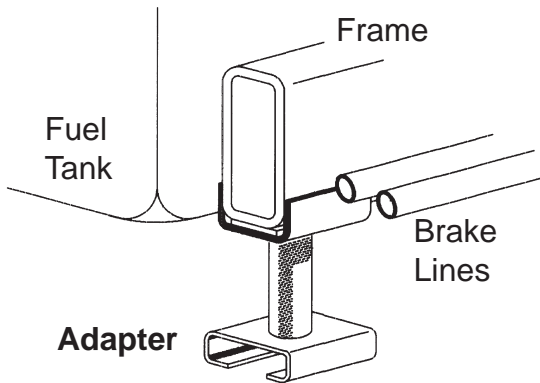
All names, numbers, symbols and descriptions are used for reference purposes only. It is not implied that any part listed is the product of these manufacturers; however, some parts may be the actual product of these manufacturers.



Height Extension Adapters

Type - *HDRNRW*

For Surface Mount Lifts



This Height Extension Adapter has a 4-1/2" long by 3" wide rectangular top formed from heavy, 3/16" and 3/8" steel plate with a Replaceable Rubber Pad. The top is welded to a 2" O.D. tube. The "Slip-On" bottom is formed from 3/16" steel and welded to the tube to fit each of the lifts listed below:

For close to frame obstructions

Commonly sold for use on the rear of late model trucks. Avoids denting or puncturing fuel tank and smashing brake lines.

Lift Manufacturer Standard Spin-Up Characteristics:

Benwil & Bishamon - flat, rectangular pads on spin-up type adapter.

old American, old Eagle, old Grand, old Worth - spin-up has flat rectangular pads with X-pattern.

Gilbarco - spin-up with four corners turned up.

American, Eagle & Grand - spin-up with four corners turned up. **Note:** Grand has made several adapter changes over the years. Dimensions may need to be verified before shipment is made.

Hydra-lift (1) - spin-up has four corners turned up.

Hydra-lift (2) - spin-up with round pad.

Manitowoc - spin-up has two sides turned up.

Nussbaum & Force - spin-up with round pad.

Western - spin-up has flat rectangular pad with X-pattern.

SVI Part Number	for Lift Mfg by:	Height	SVI Part Number	for Lift Mfg by:	Height
BH-7165-20	Alamo	3"	BH-7376-47	Grand	3"
BH-7165-21	ASSSA	6"	BH-7376-48	"	6"
BH-7165-22	"	9"	BH-7376-49	"	9"
BH-7150-72	ALM	3"	BH-7292-48	Hydra	3"
BH-7150-73	"	6"	BH-7292-49	no pad	6"
BH-7150-74	"	9"	BH-7292-50	"	9"
BH-7202-65	Benwil	3"	BH-7292-51	Hydra	3"
BH-7202-66	"	6"	BH-7292-52	round pad	6"
BH-7202-67	"	9"	BH-7292-53	"	9"
BH-7229-72	Challenger	3"	BH-7353-59	Manitowoc	3"
BH-7229-73	"	6"	BH-7353-60	"	6"
BH-7229-74	"	9"	BH-7353-61	"	9"
BH-7376-44	old Grand	3"	BH-7450-58	Nussbaum	3"
BH-7376-45	"	6"	BH-7450-59	"	6"
BH-7376-46	"	9"	BH-7450-60	"	9"
BH-7236-81	Forward	3"	BH-7587-14	Werther	3"
BH-7236-82	"	6"	BH-7587-15	"	6"
BH-7236-83	"	9"	BH-7587-16	"	9"
BH-7353-56	Gilbarco	3"	BH-7749-88	Western	3"
BH-7353-57	"	6"	BH-7749-89	"	6"
BH-7353-58	"	9"	BH-7749-90	"	9"
BH-7253-46	Globe	3"	BH-7702-53	Worth	3"
BH-7253-47	"	6"	BH-7702-54	"	6"
BH-7253-48	"	9"	BH-7702-55	"	9"
BH-7253-49	Globe	3"			
BH-7253-50	AFO's	6"			
BH-7253-51	"	9"			

To Order Call: 800 321-8173 or 630-844-5566 / Fax: 800-899-1784 or 630-844-6770

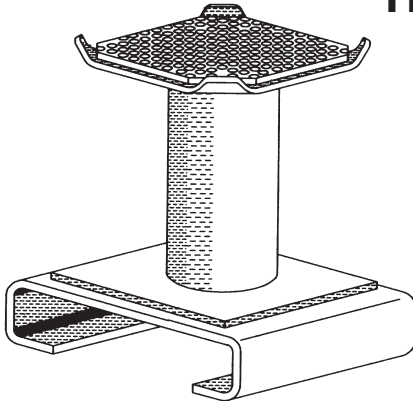
All names, numbers, symbols and descriptions are used for reference purposes only. It is not implied that any part listed is the product of these manufacturers; however, some parts may be the actual product of these manufacturers.



Height Extension Adapters

Type - LDH

For Surface Mount Lifts



This Height Extension Adapter has a 5", 5-1/2" or 6" square top, depending on lift style, with four corners turned up formed from heavy, 3/8" steel plate with a Replaceable Rubber Pad. The top is welded to a 2-1/2" O.D. tube. The "Slip-On" bottom is formed from 3/16" steel and welded to the tube to fit each of the lifts listed below:

SVI Part Number	For Lift Mfg By:	Height
BH-7150-34	ALM	3"
BH-7150-35	1-7/16 x 6)	4"
BH-7150-36	"	5"
BH-7150-01	"	6"
BH-7150-38	"	7"
BH-7150-39	"	8"
BH-7150-40	"	9"
BH-7150-41	"	10"
BH-7227-23	Challenger	3"
BH-7227-24	&	4"
BH-7227-25	VBM	5"
BH-7225-02	&	6"
BH-7227-26	new	7"
BH-7227-27	Ammco	8"
BH-7225-05	"	9"
BH-7227-28	"	10"
BH-7227-29	"	11"
BH-7227-30	"	12"
BH-7236-60	Forward	3"
BH-7236-61	&	4"
BH-7236-62	old	5"
BH-7235-88	square	6"
BH-7236-63	VBM	7"
BH-7236-64	"	8"
BH-7236-65	"	9"
BH-7236-66	"	12"
BH-7353-16	Gilbarco	3"
BH-7353-17	(3/4 x 5-3/16)	4"
BH-7353-18	"	5"
BH-7353-19	"	6"
BH-7353-20	"	7"
BH-7353-21	"	8"
BH-7353-22	"	9"
BH-7353-23	"	10"
BH-7376-19	American,	3"
BH-7376-20	Eagle,	4"
BH-7376-21	&	5"
BH-7376-22	Grand	6"
BH-7376-23	"	7"
BH-7376-24	"	8"
BH-7376-25	"	9"
BH-7376-26	"	10"

SVI Part Number	For Lift Mfg By:	Height
BH-7290-26	Hydra Lift	3"
BH-7290-27	(1)	4"
BH-7290-28	(1-1/32 x 6-5/8)	5"
BH-7290-29	"	6"
BH-7290-30	"	7"
BH-7290-31	"	8"
BH-7290-32	"	9"
BH-7290-33	"	10"
BH-7290-34	Hydra Lift	3"
BH-7290-35	(2)	4"
BH-7290-36	"	5"
BH-7290-37	"	6"
BH-7290-38	"	7"
BH-7290-39	"	8"
BH-7290-40	"	9"
BH-7290-41	"	10"
BH-7353-24	Manitowac	3"
BH-7353-25	(1/2 x 5-1/4)	4"
BH-7353-26	tapered	5"
BH-7353-27	"	6"
BH-7353-28	"	7"
BH-7353-29	"	8"
BH-7353-30	"	9"
BH-7353-31	"	10"
BH-7353-31L	"	11"
BH-7353-31XL	"	12"
BH-7450-28	Nussbaum	3"
BH-7450-29	&	4"
BH-7450-30	Phoenix	5"
BH-7450-03	&	6"
BH-7450-32	Force	7"
BH-7450-33	"	8"
BH-7450-34	"	9"
BH-7450-35	"	10"
BH-7702-33	Worth	3"
BH-7202-34	(7/8 x 5-3/4)	4"
BH-7702-35	"	5"
BH-7702-36	"	6"
BH-7702-37	"	7"
BH-7702-38	"	8"
BH-7702-39	"	9"
BH-7702-40	"	10"

SVI Part Number	For Lift Mfg By:	Height
BH-7253-34	Globe,	3"
BH-7253-35	Ford Smith	4"
BH-7253-36	AFO's	5"
BH-7250-07	"	6"
BH-7253-37	"	7"
BH-7253-38	"	8"
BH-7253-39	"	9"
BH-7253-40	"	10"
BH-7165-12	Alamo	3"
BH-7165-13	ASSSA	4"
BH-7165-14	"	5"
BH-7165-15	"	6"
BH-7165-16	"	7"
BH-7165-17	"	8"
BH-7165-18	"	9"
BH-7165-19	"	10"
BH-7587-04	Werther	3"
BH-7587-05	"	4"
BH-7587-06	"	5"
BH-7587-07	"	6"
BH-7587-08	"	7"
BH-7587-09	"	8"
BH-7587-10	"	9"
BH-7587-11	"	10"

Features

- Replaceable Rubber Pad
 - order BH-7235-90A for 5" or 5 1/2"
 - order BH-7225-01 for 6"
- Bright Yellow Paint Finish

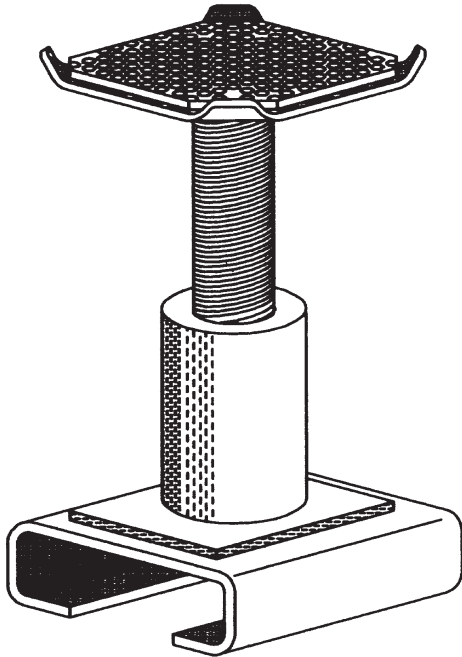
To Order Call: 800 321-8173 or 630-844-5566 / Fax: 800-899-1784 or 630-844-6770

All names, numbers, symbols and descriptions are used for reference purposes only. It is not implied that any part listed is the product of these manufacturers; however, some parts may be the actual product of these manufacturers.

Height Extension Adapters

Type - ALDH

For Surface Mount Lifts



This Height Extension Adapter has a 5", 5-1/2" or 6" square top, depending on lift style, with four corners turned up formed from heavy, 3/8" steel plate with a Replaceable Rubber Pad. The top is welded to a 1-1/4" thread that screws up and down inside a 2-1/2" O.D. tube. For safety, the threaded portion cannot be screwed out. The "**Slip-On**" bottom is formed from 3/16" steel and welded to the tube to fit each of the lifts listed below:

Lift Manufacturer Standard Spin-up Characteristics:

Features

- Adjustable
- Replaceable Rubber Pad - order BH-7225-01 for 6" or BH-7235-90A for 5" or 5 1/2"
- Bright Yellow Paint Finish

ALM - spin-up with round pad.

ALAMO/ASSSA - spin-up with Rectangular pad and four corners turned up.

Challenger, VBM & new Ammco - spin-up with four corners turned up.

Forward & old square VBM - Forward spin-up has four corners turned up, VBM is flat.

Gilbarco - spin-up with four corners turned up.

American, Eagle & Grand - spin-up with four corners turned up. **Note:** Grand has made several adapter changes over the years. Dimensions may need to be verified before shipment is made.

Hydra-lift (1) - spin-up has four corners turned up.

Hydra-lift (2) - spin-up with round pad.

Manitowoc - spin-up has two sides turned up.

Nussbaum, Phoenix & Force - spin-up with round pad.

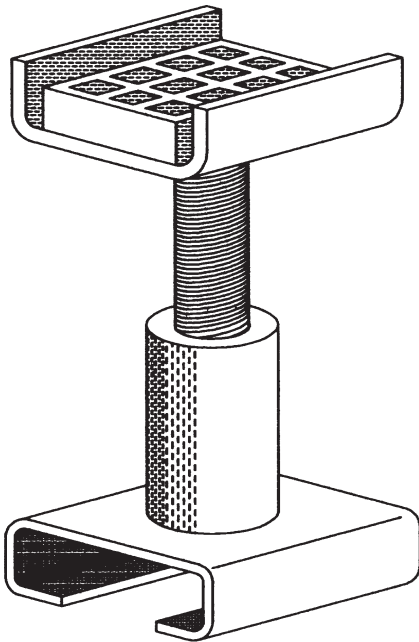
Worth - spin-up with four corners turned up.

SVI Part Number	for Lift Mfg. by:	Height	SVI Part Number	for Lift Mfg. by:	Height
BH-7165-10	Alamo/ASSSA	4'-6"	BH-7290-58	Hydra Lift	4'-6"
BH-7165-11	Alamo/ASSSA	6"-9.5"	BH-7290-59	[1]	6"-9.5"
BH-7150-52	ALM	4'-6"	BH-7290-60	Hydra Lift	4'-6"
BH-7150-53	"	6"-9.5"	BH-7290-61	[2]	6"-9.5"
BH-7227-49	Challenger	4'-6"	BH-7353-50	Manitowoc	4'-6"
BH-7227-50	VBM	6"-9.5"	BH-7353-51	"	6"-9.5"
BH-7236-77	Forward	4'-6"	BH-7450-44	Nussbaum	4'-6"
BH-7236-78	"	6"-9.5"	BH-7450-45	/Force	6"-9.5"
BH-7353-48	Gilbarco	4'-6"	BH-7587-12	Werther	4'-6"
BH-7353-49	"	6"-9.5"	BH-7587-13	"	6"-9.5"
BH-7253-41	Globe/FS	4'-6"	BH-7702-49	Worth	4'-6"
BH-7253-42	AFC's	6"-9.5"	BH-7702-50	"	6"-9.5"
BH-7376-39	A.m., E.s., Grand	4'-6"			

Height Extension Adapters

Type - AHDR

For Surface Mount Lifts



This Height Extension Adapter has a 4-1/2" long rectangular top formed from heavy, 5/16" steel plate with a Replaceable Rubber Pad. The top is welded to a 1-1/4" thread that screws up and down inside a 2-1/2" O.D. tube. For safety, the threaded portion cannot be screwed out. The "**Slip-On**" bottom is formed from 3/16" steel and welded to the tube to fit each of the lifts listed below:

Lift Manufacturer Standard Spin-up Characteristics:

Features

- Adjustable
- Replaceable Rubber Pad - order BH-7205
- Bright Yellow Paint Finish

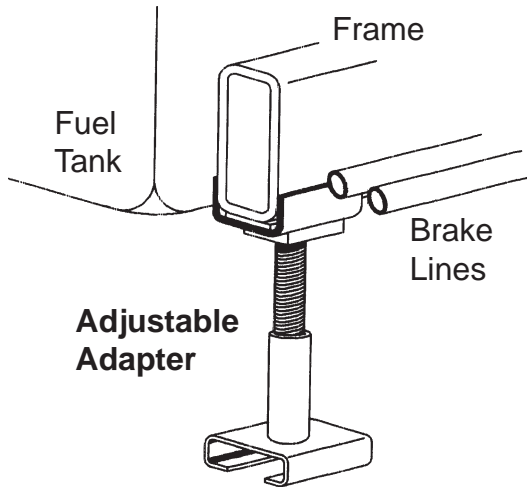
- ALM** - spin-up with round pad.
- Benwil & Bishamon** - flat rectangular pads on spin-up type adapter.
- Challenger, VBM & new Ammco** - spin-up with four corners turned up.
- old American, Eagle, old Grand, old Worth** - spin-up has flat rectangular pads with X-pattern.
- Forward & old square VBM** - Forward spin-up has four corners turned up, VBM is flat.
- Gilbarco** - spin-up with four corners turned up.
- Globe** - flat, rectangular pad.
- American, Eagle & Grand** - spin-up with four corners turned up. **Note:** Grand has made several adapter changes over the years. Dimensions may need to be verified before shipment is made.
- Hydra-lift (1)** - spin-up has four corners turned up.
- Hydra-lift (2)** - spin-up with round pad.
- Manitowoc** - spin-up has two sides turned up.
- Nussbaum, Phoenix & Force** - spin-up with round pad.
- Western** - spin-up has flat rectangular pad with X pattern.
- Worth** - spin-up with four corners turned up.

SVI Part Number	for Lift Mfg by:	Height	SVI Part Number	for Lift Mfg by:	Height
BH-7150-54	ALM	4'-6"	BH-7253-23	Globe	4'-6"
BH-7150-55	"	6"-9.5"	BH-7253-24	"	6"-9.5"
BH-7202-63	Benwil &	4'-6"	BH-7290-62	Hydra Lift	4'-6"
BH-7202-64	Bishamon	6"-9.5"	BH-7290-63	(1)	6"-9.5"
BH-7227-47	Challenger	4'-6"	BH-7290-64	Hydra Lift	4'-6"
BH-7227-48	VBM	6"-9.5"	BH-7290-65	(2)	6"-9.5"
BH-7376-40	Eagle, old	4'-6"	BH-7353-54	Manitowoc	4'-6"
BH-7376-41	Worth & Grand	6"-9.5"	BH-7353-55	"	6"-9.5"
BH-7236-79	Forward	4'-6"	BH-7450-46	Nussbaum	4'-6"
BH-7236-80	"	6"-9.5"	BH-7450-47	/Force	6"-9.5"
BH-7353-52	Gilbarco	4'-6"	BH-7749-91	Western	4'-6"
BH-7353-53	"	6"-9.5"	BH-7749-92	"	6"-9.5"
BH-7253-25	Globe	4'-6"	BH-7587-02	Werther	4'-6"
BH-7253-26	AFC's	6"-9.5"	BH-7587-03	"	6"-9.5"
BH-7376-42	Am, Ea, Grand	4'-6"	BH-7702-51	Worth	4'-6"
BH-7376-43	"	6"-9.5"	BH-7702-52	"	6"-9.5"



Height Extension Adapters *For* Surface Mount Lifts

Type - AHDRNRW



This Height Extension Adapter has a 4-1/2" long by 3" wide rectangular top formed from heavy, 3/16" and 3/8" steel plate with a Replaceable Rubber Pad. The top is welded to a 1-1/4" thread that screws up and down inside a 2-1/2" O.D. tube. For safety, the threaded portion cannot be screwed out. The top is welded to a 2" O.D. tube. The **"Slip-On"** bottom is formed from 3/16" steel and welded to the tube to fit each of the lifts listed below:

Lift Manufacturer Standard Spin-up Characteristics:

For close to frame obstructions

Commonly sold for use on the rear of late model trucks. Avoids denting or puncturing fuel tank and smashing brake lines.

Features

- Adjustable
- Replaceable Rubber Pad
- Bright Yellow Paint Finish

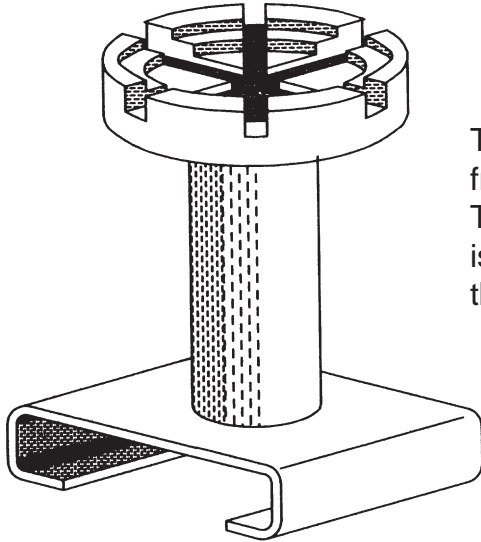
- ALM** - spin-up with round pad.
- Benwil & Bishamon** - flat rectangular pads on spin-up type adapter.
- Challenger, VBM & new Ammco** - spin-up with four corners turned up.
- old American, Eagle, old Grand, old Worth** - spin-up has flat rectangular pads with X-pattern.
- Forward & old square VBM** - Forward spin-up has four corners turned up, VBM is flat.
- Gilbarco** - spin-up with four corners turned up.
- Globe** - flat, rectangular pad.
- American, Eagle & Grand** - spin-up with four corners turned up. **Note:** Grand has made several adapter changes over the years. Dimensions may need to be verified before shipment is made.
- Hydra-lift (1)** - spin-up has four corners turned up.
- Hydra-lift (2)** - spin-up with round pad.
- Manitowoc** - spin-up has two sides turned up.
- Nussbaum, Phoenix & Force** - spin-up with round pad.
- Western** - spin-up has flat rectangular pad with X pattern.
- Worth** - spin-up with four corners turned up.

SVI Part Number	for Lift Mfg by:	Height	SVI Part Number	for Lift Mfg by:	Height
BH-7165-23	Alamo	4'-6"	BH-7253-52	Globe	4'-6"
BH-7165-24	"	6'-9"	BH-7253-53	"	6'-9"
BH-7150-75	ALM	4'-6"	BH-7292-54	Hydra Lift	4'-6"
BH-7150-76	"	6'-9"	BH-7292-55	[1]	6'-9"
BH-7202-68	Benwil &	4'-6"	BH-7292-56	Hydra Lift	4'-6"
BH-7202-69	Bishamon	6'-9"	BH-7292-57	[2]	6'-9"
BH-7229-75	Challenger	4'-6"	BH-7353-64	Manitowoc	4'-6"
BH-7225-76	VBM	6'-9"	BH-7353-65	"	6'-9"
BH-7376-50	Eagle, old	4'-6"	BH-7450-61	Nussbaum	4'-6"
BH-7376-51	Worth & Grand	6'-9"	BH-7450-62	/Force	6'-9"
BH-7236-84	Forward	4'-6"	BH-7749-86	Western	4'-6"
BH-7236-85	"	6'-9"	BH-7749-87	"	6'-9"
BH-7353-62	Gilbarco	4'-6"	BH-7587-17	Werther	4'-6"
BH-7353-63	"	6'-9"	BH-7587-18	"	6'-9"
BH-7253-54	Globe	4'-6"	BH-7702-56	Worth	4'-6"
BH-7253-55	AFC's	6'-9"	BH-7702-57	"	6'-9"
BH-7376-52	A m, Ea, Grand	4'-6"			
BH-7376-53	"	6'-9"			

Height Extension Adapters

Type - *LDRND*

For Surface Mount Lifts



This Height Extension Adapter has a 5" diameter top formed from heavy, 5/16" steel plate with a Replaceable Rubber Pad. The top is welded to a 2-1/2" O.D. tube. The "**Slip-On**" bottom is formed from 3/16" steel and welded to the tube to fit each of the lifts listed below:

*Lift Manufacturer Standard
Spin-up Characteristics:*

Hydra-lift (1) - spin-up has four corners turned up.

Hydra-lift (2) - spin-up with round pad.

Nussbaum, Phoenix & Force - spin-up with round pad.

Features

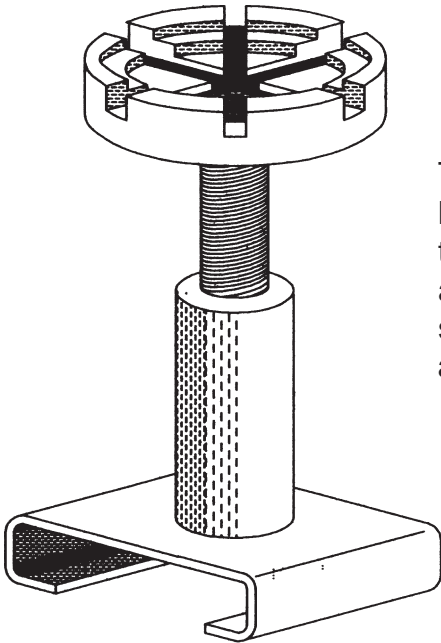
- Replaceable Rubber Pad - order BH-7450-02
- Black Paint Finish

SVI Part Number	for Lift Mfg by:	Height	SVI Part Number	for Lift Mfg by:	Height
BH-7290-66	Hydra Lift	3"	BH-7450-48	Nussbaum	3"
BH-7290-67	[1]	4"	BH-7450-49	&	4"
BH-7290-68	(1-1/32 X 6-5/8)	5"	BH-7450-50	Force	5"
BH-7290-69	"	6"	BH-7450-04	&	6"
BH-7290-70	"	7"	BH-7450-52	Phoenix	7"
BH-7290-71	"	8"	BH-7450-53	"	8"
BH-7290-72	"	9"	BH-7450-54	"	9"
BH-7290-73	"	10"	BH-7450-55	"	10"
BH-7290-74	Hydra Lift	3"	BH-7476-25	Bend-Pac	3"
BH-7290-75	[2]	4"	BH-7476-26	P-6	4"
BH-7290-76	"	5"	BH-7476-27	"	5"
BH-7290-77	"	6"	BH-7476-28	"	6"
BH-7290-78	"	7"	BH-7476-29	"	7"
BH-7290-79	"	8"	BH-7476-30	"	8"
BH-7290-80	"	9"	BH-7476-31	"	9"
BH-7290-81	"	10"			

Height Extension Adapters

Type - *ALDRND*

For Surface Mount Lifts



This Height Extension Adapter has a 5" diameter top formed from heavy, 5/16" steel plate with a Replaceable Rubber Pad. The top is welded to a 1-1/4" thread that screws up and down inside a 2-1/2" O.D. tube. For safety, the threaded portion cannot be screwed out. The "**Slip-On**" bottom is formed from 3/16" steel and welded to the tube to fit each of the lifts listed below:

*Lift Manufacturer Standard
Spin-up Characteristics:*

Hydra-lift (1) - spin-up has four corners turned up.

Hydra-lift (2) - spin-up with round pad.

Nussbaum, Phoenix & Force - spin-up with round pad.

Features

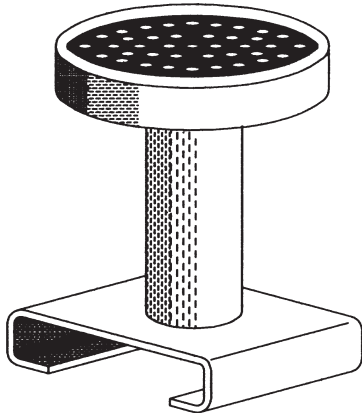
- Adjustable
- Replaceable Rubber Pad - order BH-7450-02
- Black Paint Finish

SVI Part Number	for Lift Mfg by:	Height	SVI Part Number	for Lift Mfg by:	Height
BH-7290-82	Hydra Lift	4'-6"	BH-7450-56	Nussbaum	4'-6"
BH-7290-83	[1]	6"-9.5"	BH-7450-57	/Force	6"-9.5"
BH-7290-84	Hydra Lift	4'-6"	BH-7476-32	Bend-Pac	4'-6"
BH-7290-85	[2]	6"-9.5"	BH-7476-33	"	6"-9.5"

Height Extension Adapters

Type - ARND

For Surface Mount Lifts



This Height Extension Adapter has a 6" diameter top formed from heavy, 3/8" steel plate with a Replaceable Rubber Pad. The top is welded to a 2-1/2" O.D. tube. The "**Slip-On**" bottom is formed from 3/16" steel and welded to the tube to fit the lift listed below:

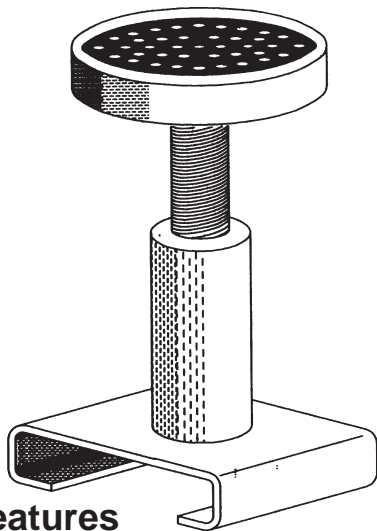
Features

- Replaceable Rubber Pad - order BH-7150-02
- Black Paint Finish

*Lift Manufacturer Standard
Spin-up Characteristics:*

ALM - spin-up with round pad.

SVI Part Number	for Lift Mfg by:	Height	SVI Part Number	for Lift Mfg by:	Height
BH-7150-22	AL M	3"	BH-7150-25	AL M	7"
BH-7150-23	"	4"	BH-7150-26	"	8"
BH-7150-24	"	5"	BH-7150-04	"	9"
BH-7150-03	"	6"	BH-7150-27	"	10"



Type - AARND

This Height Extension Adapter has a 6" diameter top formed from heavy, 3/8" steel plate with a Replaceable Rubber Pad. The top is welded to a 1-1/4" thread that screws up and down inside a 2-1/2" O.D. tube. For safety, the threaded portion cannot be screwed out. The "**Slip-On**" bottom is formed from 3/16" steel and welded to the tube to fit the lift listed below:

Features

- Adjustable
- Replaceable Rubber Pad - order BH-7150-02
- Black Paint Finish

*Lift Manufacturer Standard
Spin-up Characteristics:*

ALM - spin-up with round pad.

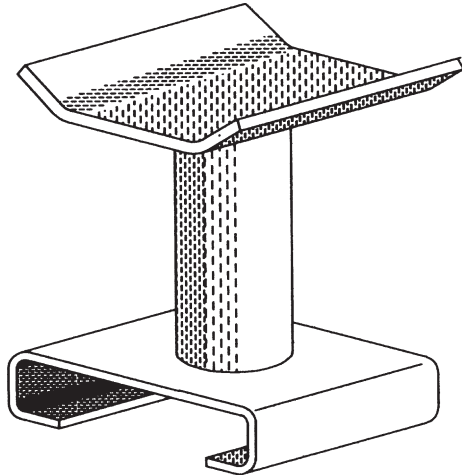
SVI Part Number	for Lift Mfg by:	Height	SVI Part Number	for Lift Mfg by:	Height
BH-7150-28	AL M	4'-6"	BH-7150-29	AL M	6"-9.5"



Height Extension Adapters

Type - LDM

For Surface Mount Lifts



This Height Extension Adapter has a 5" square top with two sides turned up formed from heavy, 5/16" steel plate. The top is welded to a 2-1/2" O.D. tube. The "Slip-On" bottom is formed from 3/16" steel and welded to the tube to fit each of the lifts listed below:

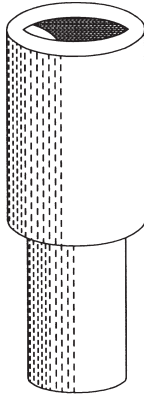
Lift Manufacturer Standard Spin-up Characteristics:

Features

- Affordable
- Bright Yellow Paint Finish

- ALM** - spin-up with round pad.
- Benwil & Bishamon** - flat, rectangular pads on spin-up type adapter.
- Challenger, VBM & new Ammco** - spin-up with four corners turned up.
- old American, Eagle, old Grand, old Worth** - spin-up has flat rectangular pads with X-pattern.
- Forward & old square VBM** - Forward spin-up has four corners turned up, VBM is flat.
- Gilbarco** - spin-up with four corners turned up.
- Globe** - flat, rectangular pad.
- American, Eagle & Grand** - spin-up with four corners turned up. **Note:** Grand has made several adapter changes over the years. Dimensions may need to be verified before shipment is made.
- Hydra-lift (1)** - spin-up has four corners turned up.
- Hydra-lift (2)** - spin-up with round pad.
- Manitowoc** - spin-up has two sides turned up.
- Nussbaum, Phoenix & Force** - spin-up with round pad.
- Western** - spin-up has flat rectangular pad with X pattern.
- Worth** - spin-up with four corners turned up.

SVI Part Number	for Lift Mfg by:	Height	SVI Part Number	for Lift Mfg by:	Height
BH-7150-30	ALM	3"	BH-7375-43	Amer, Eagle	3"
BH-7150-31	"	6"	BH-7375-44	& Grand	6"
BH-7150-32	"	9"	BH-7290-10	Hydra Lift	3"
BH-7202-40	Benwil	3"	BH-7290-11	[1]	6"
BH-7202-41	&	6"	BH-7290-12	"	9"
BH-7202-42	Bishamon	9"	BH-7290-13	Hydra Lift	3"
BH-7227-20	Challenger	3"	BH-7290-14	[2]	6"
BH-7227-21	&	6"	BH-7290-15	"	9"
BH-7227-22	VBM	9"	BH-7353-03	Manitowoc	3"
BH-7375-40	old American	3"	BH-7353-04	"	6"
BH-7375-41	Eagle, Grand	6"	BH-7353-05	"	9"
BH-7375-42	&Worth	9"	BH-7450-20	Nussbaum	3"
BH-7235-20	Forward	3"	BH-7450-21	&	6"
BH-7235-21	"	6"	BH-7450-22	Force	9"
BH-7235-22	"	9"	BH-7760-30	Western	3"
BH-7353-00	Gilbarco	3"	BH-7760-31	"	6"
BH-7353-01	"	6"	BH-7702-30	Worth	3"
BH-7353-02	"	9"	BH-7702-31	"	6"
BH-7253-43	Globe	3"	BH-7702-32	"	9"
BH-7253-44	AF's	6"			
BH-7253-45	"	9"			
BH-7250-70	Globe	3"			
BH-7250-71	"	6"			
BH-7250-72	"	9"			



Nesting Style Height Extensions *For* Surface Mount Lifts

Type - NS

These Nesting Style Height Extensions are made from solid steel bar stock and cut, drilled and turned to the sizes listed in the table. Please inquire for sizes other than those listed.

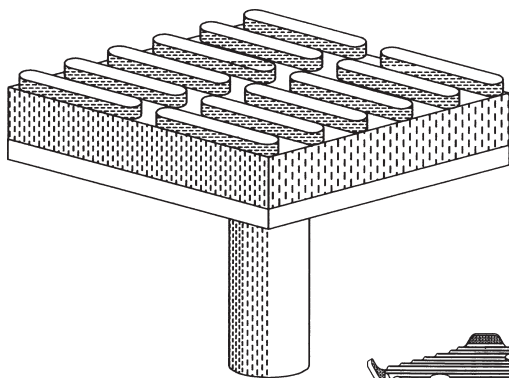
SVI Part Number	Pin Diameter	Height	SVI Part Number	Pin Diameter	Height
BH-7340-12	Mohawk	3"	BH-7090-10	1-3/8"	3"
BH-7340-13	1-1/8"	4"	BH-7090-11	"	4"
BH-7340-14	"	5"	BH-7090-12	"	5"
BH-7340-15	"	6"	BH-7090-13	"	6"
BH-7606-35	Weaver	5"	BH-7101-02	1-1/2"	2-5/8"
BH-7606-36	1-1/8"	2.5"	BH-7090-14	"	3"
BH-7606-37	"	3"	BH-7101-04	"	3-1/2"
BH-7606-38	"	4"	BH-7090-15	"	4"
BH-7606-39	"	5"	BH-7101-03	"	5"
BH-7089-98	1-1/4"	3"	BH-7090-16	"	6"
BH-7089-99	"	4"	BH-7090-17	"	7"
BH-7089-99A	"	5"			
BH-7089-99B	"	6"			

Note: 1-1/2" pin diameter is common on ALM, Ammco and Ben Pearson Lifts - 1-3/8" pin is common on Pro-Lift, Bend-Pak, Magnum & General Lifts - 1-1/4" pin is common on Forward Lift..

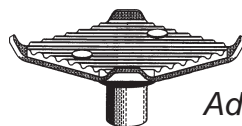
Will fit any lift using Nesting Style Extensions with pin diameter of 1-1/4", 1-3/8" or 1-1/2". Please verify size used on the lift before ordering.

Nesting Style Adapter Pads *For* Surface Mount Lifts

Type - NSP



These Nesting Style Adapter Pads are made from solid steel plate and come with a Replaceable Rubber Pad. Please inquire for sizes other than those listed.



Adapter Pad for Forward - order BH-7089-97

Features

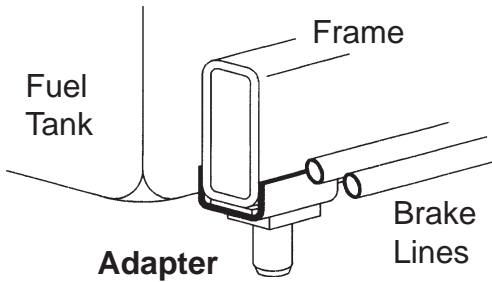
- Replaceable Rubber Pad - order BH-7101-00

SVI Part Number	Pin Diameter	Pin Length	SVI Part Number	Pin Diameter	Pin Length
BH-7340-11	1-1/8"	2-1/2"	BH-7475-01B	1-3/8"	1-1/2"
BH-7089-97*	1-1/4"	1-1/8"	BH-7101-01C	1-1/2"	1-3/4"

Will fit any lift using Nesting Style Adapter Pads with pin diameter of 1-3/8" or 1-1/2". Please verify size used on the lift before ordering.

* This adapter pad for Forward lifts has 5-1/2" square top with corners turned up. Order BH-7235-90 when replacing pad.

Nesting Style Height Extensions For Type - NSPNRW **Surface Mount** **Lifts**



For close to frame obstructions

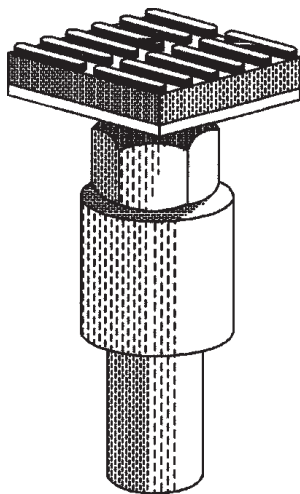
This Nesting Style Adapter has a 4-1/2" long by 3" wide rectangular top formed from heavy, 3/16" and 3/8" steel plate with a Replaceable Rubber Pad.

Commonly sold for use on the rear of late model trucks. Avoids denting or puncturing fuel tank and smashing brake lines.

SVI Part Number	Pin Diameter		SVI Part Number	Pin Diameter	
BH-7091-59	1-1/8"	Mhawk	BH-7091-57	1-3/8"	
BH-7091-60	"	Weaver	BH-7091-56	1-1/2"	
BH-7091-58	1-1/4"				

Type - NSPSUA

For **Surface Mount** **Lifts**



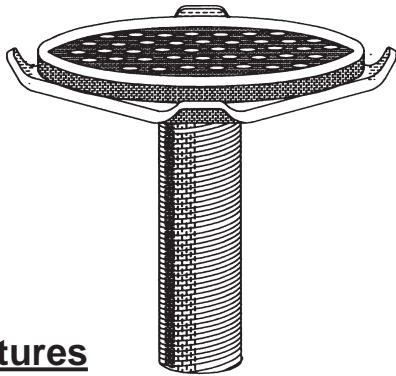
These Nesting Style Adapters have a 5" long by 4" wide rectangular top formed from heavy, 3/16" and 3/8" steel plate with a Replaceable Rubber Pad. The adapters adjust by simply turning the contact pad to the heights listed below.

Features

- Replaceable Rubber Pad - order BH-7101-00
- Bright Yellow Paint Finish

SVI Part Number	Pin Diameter	Height
BH-7091-70	1-1/2"	5 to 6-3/4"
BH-7091-71	1-1/2"	8 to 9-3/4"
BH-7091-72	1-1/2"	10 to 12-3/4"

Replacement Spin-Up Adapters For **Surface Mount Lifts**



Type - *SUH 5"*

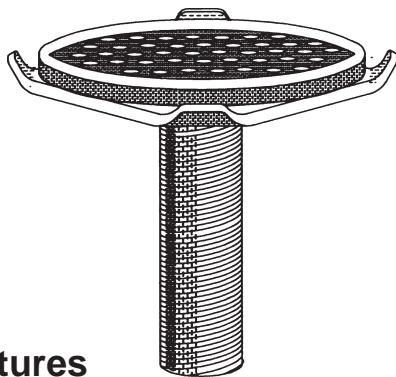
This Spin-up Adapter has a 5" or 5-1/2" square top, depending on the lift style, with the corners turned up formed from heavy, 3/8" steel plate. The top is welded to threaded rod.

Features

- Replaceable Rubber Pad - BH-7235-90A

SVI Part Number	Thread Size	Height	SVI Part Number	Thread Size	Height
BH-7091-17	1-1/8"	4"	BH-7091-27	1-3/8" - 6	4"
BH-7091-18	5" top	5"	BH-7091-28	5" top	5"
BH-7091-19	"	6"	BH-7091-29	"	6"
BH-7091-20	"	7"	BH-7091-30	"	7"
BH-7091-21	"	8"	BH-7091-31	"	8"
BH-7091-22	1-1/4" - 7	4"	BH-7091-32	1-3/8" - 6	4"
BH-7091-23	5" top	5"	BH-7091-33	5-1/2" top	5"
BH-7091-24	"	6"	BH-7091-34	"	6"
BH-7091-25	"	7"	BH-7091-35	"	7"
BH-7091-26	"	8"	BH-7091-36	"	8"

Made to fit any lift using either 1-1/8", 1-1/4" - 7 or 1-3/8" - 6 threads. Identify thread size from the lift you are working on, determine length and select the part number for the item(s) you would like us to ship.



Type - *SUH 6"*

This Spin-up Adapter has a 6" square top with the corners turned up formed from heavy, 3/8" steel plate. The top is welded to threaded rod.

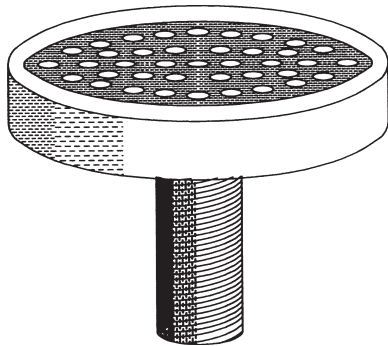
Features

- Replaceable Rubber Pad - order BH-7225-01

SVI Part Number	Thread Size	Height	SVI Part Number	Thread Size	Height
BH-7090-20	1 1/4" - 7	4"	BH-7090-27	1 3/8" - 6	6"
BH-7090-21	"	5"	BH-7090-28	"	7"
BH-7090-22	"	6"	BH-7225-04	"	8"
BH-7090-23	"	7"	BH-7090-30	"	9"
BH-7090-29	"	8"	BH-7090-31	"	10"
BH-7227-41	"	10"	BH-7090-32	1 3/8" - 4	4"
BH-7227-42	"	12"	BH-7090-33	"	5"
BH-7225-03	1 3/8" - 6	3-1/2"			
BH-7090-25	"	4"			
BH-7090-26	"	5"			

Made to fit any lift using either 1-1/4" - 7 or 1-3/8" - 6 threads or 1-3/8" - 4 acme. Identify thread size from the lift you are working on, determine length and select the part number for the item(s) you would like us to ship.

Replacement Spin-Up Adapters For Type - SUR6 **Surface Mount** **Lifts**



This Spin-up Adapter has a 6" round top formed from heavy, 3/8" steel plate. The top is welded to threaded rod.

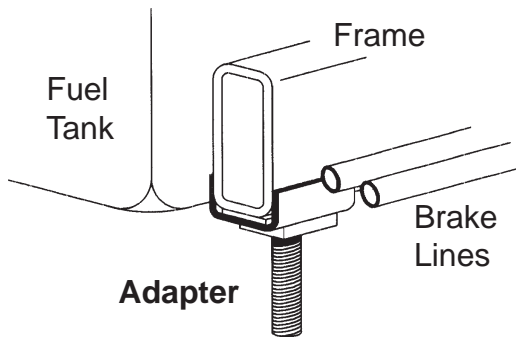
Features

- Replaceable Rubber Pad - order BH-7150-02

SVI Part Number	Thread Size	Height	SVI Part Number	Thread Size	Height
BH-7090-40	1 1/4" - 7	4"	BH-7090-47	1 3/8" - 6	6"
BH-7090-41	"	5"	BH-7090-48	"	7"
BH-7090-42	"	6"	BH-7090-49	"	8"
BH-7090-43	"	7"	BH-7090-50	"	9"
BH-7090-44	"	8"	BH-7090-51	"	10"
BH-7090-45	1 3/8" - 6	4"			
BH-7090-46	"	5"			

Made to fit any lift using either 1-1/4" - 7 or 1-3/8" - 6 threads. Identify thread size from the lift you are working on, determine length and select the part number for the item(s) you would like us to ship.

Type - SUNRW



For close to frame obstructions

This Spin-up Adapter has a 4-1/2" long by 3" wide rectangular top formed from heavy, 3/16" and 3/8" steel plate with a Replaceable Rubber Pad. The top is welded to threaded rod.

Commonly sold for use on the rear of late model trucks. Avoids denting or puncturing fuel tank and smashing brake lines.

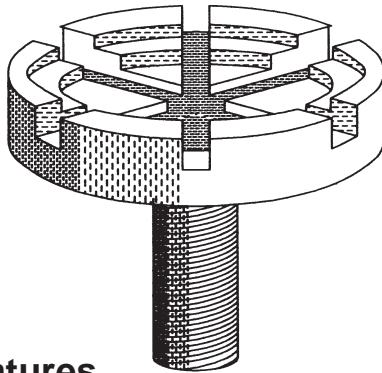
SVI Part Number	Thread Size	Height	SVI Part Number	Thread Size	Height
BH-7091-48	1-1/8"	4"	BH-7091-37	1-3/8" - 6	4"
BH-7091-49	"	6"	BH-7091-38	"	6"
BH-7091-50	"	8"	BH-7091-39	"	8"
BH-7091-45	1-1/4" - 7	4"	BH-7091-40	"	10"
BH-7091-46	"	6"	BH-7091-41	1-3/8" - 4	4"
BH-7091-47	"	8"	BH-7091-42	"	6"
			BH-7091-43	"	8"
			BH-7091-44	"	10"

Made to fit any lift using either 1-1/8", 1-1/4" - 7 or 1-3/8" - 6 threads or 1-3/8" - 4 acme. Identify thread size from the lift you are working on, determine length and select the part number for the item(s) you would like us to ship.



Replacement Spin-Up Adapters *For* Surface Mount Lifts

Type - *SUR5*



This Spin-up Adapter has a 5" round top formed from heavy, 5/16" steel plate. The top is welded to threaded rod.

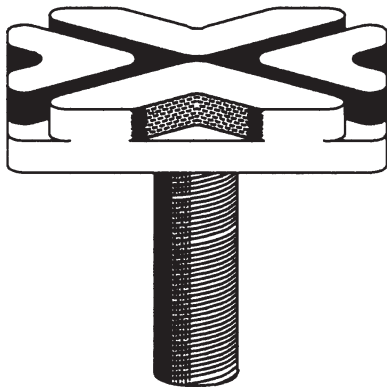
Features

- Replaceable Rubber Pad - order BH-7450-02

SVI Part Number	Thread Size	Height	SVI Part Number	Thread Size	Height
BH-7090-60	1 1/4" - 7	4"	BH-7090-67	1 3/8" - 6	6"
BH-7090-61	"	5"	BH-7090-68	"	7"
BH-7090-62	"	6"	BH-7090-69	"	8"
BH-7090-63	"	7"	BH-7090-70	"	9"
BH-7090-64	"	8"	BH-7090-71	"	10"
BH-7090-65	1 3/8" - 6	4"			
BH-7090-66	"	5"			

Made to fit any lift using either 1-1/4" - 7 or 1-3/8" - 6 threads or 1-3/8" 4 acme. Identify thread size from the lift you are working on, determine length and select the part number for the item(s) you would like us to ship.

Type - *SURX*



This Screw Up Adapter has a 4" X 4-1/2" formed from heavy, 1/4" plus 3/8" steel plate. The top is welded to threaded rod.

Features

- Replaceable Rubber Pad - order BH-7750-02

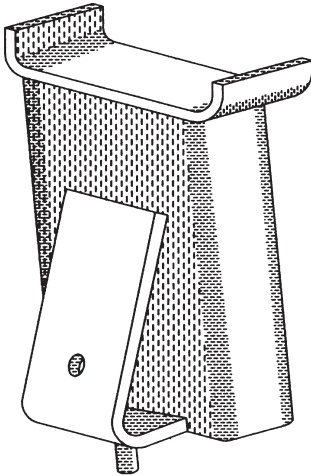
SVI Part Number	Thread Size	Height	SVI Part Number	Thread Size	Height
BH-7090-79	1" - 8	4"	BH-7090-87	1 3/8" - 6	6"
BH-7090-80	1 1/4" - 7	4"	BH-7090-88	"	7"
BH-7090-81	"	5"	BH-7090-89	"	8"
BH-7090-82	"	6"			
BH-7090-83	"	7"			
BH-7090-84	"	8"			
BH-7090-85	1 3/8" - 6	4"			
BH-7090-86	"	5"			

Made to fit any lift using either 1" - 8, 1-1/4" - 7 or 1-3/8" - 6 threads or 1-3/8" - 4 acme. Identify thread size from the lift you are working on, determine length and select the part number for the item(s) you would like us to ship.

Height Extension Adapters

For In-Ground & Surface Mount Lifts

Type - SOR



This Height Extension Adapter has a 2-1/2" x 5" rectangular top formed from heavy, steel plate. The top is welded to 3/16" rectangular tube with a 5/8" pin welded to the metal support.

*Lift Manufacturer Standard
Adapter Characteristics:*

Features

- Bright Yellow Paint Finish

Rotary - flip-up cast iron adapter.

General - flip-up cast iron adapter.

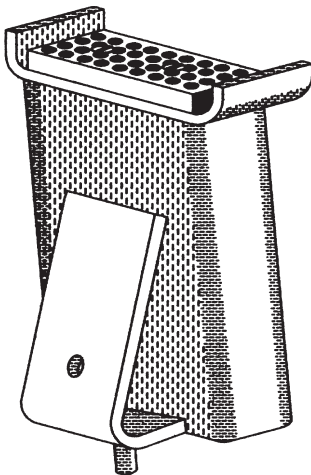
SVI	for Lift		SVI	for Lift	
Part Number	Mfg by:	Height	Part Number	Mfg by:	Height
BH-9755-50	Rotary/Gener	9"	BH-9755-50A	Rotary/Gener	11"

Hanger Brackets Available

Two piece hangers for pre-drilled columns or wall mounting. Each pair holds four BH-9755-50 series extensions.

Order BH-9755-50H

Type - SORP



This Height Extension Adapter has a 3" x 5" rectangular top formed from heavy, steel plate with a Replaceable Rubber Pad. The top is welded to 3/16" rectangular tube with a 5/8" pin welded to the metal support.

*Lift Manufacturer Standard
Adapter Characteristics:*

Features

- Replaceable Rubber Pad - order BH-9755-50-1
- Bright Yellow Paint Finish

Rotary - flip-up cast iron adapter.

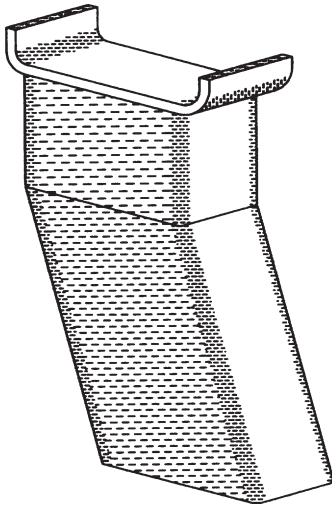
General - flip-up cast iron adapter.

SVI	for Lift		SVI	for Lift	
Part Number	Mfg by:	Height	Part Number	Mfg by:	Height
BH-9755-50B	Rotary/Gener	9"	BH-9755-50C	Rotary/Gener	11"

Height Extension Adapters

For In-Ground Lifts

Type - *SOM*



Features

- Bright Yellow Paint Finish

SVI Part Number	for Lift Mfg by:	Height
BH-9380-02	G&B/Manitowoc	9"
BH-9420-13	Globe	9"
BH-9420-13NS	SVIFord Smith	9"
BH-9712-07	Western	9"

This Height Extension Adapter has a 2-1/2" x 6" rectangular top formed from heavy, steel plate. The top is welded to 3/16" rectangular tube and positioned at the correct angle with inserts inside to fit the lifts listed below.

Lift Manufacturer Standard Adapter Characteristics:

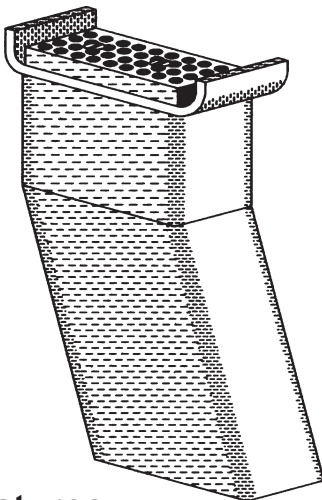
Ford Smith - flip-up cast adapter.

Gilbarco - flip-up cast adapter.

Globe - flip-up cast adapter.

Manitowoc - flip-up cast adapter.

Western - flip-up metal adapter.



Type - *SOMP*

Features

- Replaceable Rubber Pad
- Bright Yellow Paint Finish

SVI Part Number	for Lift Mfg by:	Height
BH-9380-03	G&B/Manitowoc	9"
BH-9420-13P	Globe	9"
BH-9420-13PNS	SVIFord Smith	9"
BH-9712-07A	Western	9"

This Height Extension Adapter has a 3" x 6" rectangular top formed from heavy, steel plate with a Replaceable Rubber Pad. The top is welded to 3/16" rectangular tube and positioned at the correct angle with inserts inside to fit the lifts listed below.

Lift Manufacturer Standard Adapter Characteristics:

Ford Smith - flip-up cast adapter.

Gilbarco - flip-up cast adapter.

Globe - flip-up cast adapter.

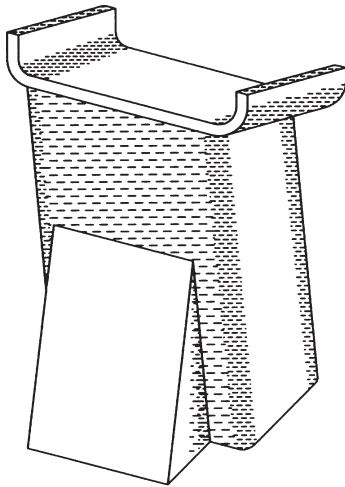
Manitowoc - flip-up cast adapter.

Western - flip-up metal adapter.

Height Extension Adapters

For In-Ground Lifts

Type - SOCW



This Height Extension Adapter has a 2-1/2" x 6" rectangular top formed from heavy, steel plate. The top is welded to 3/16" rectangular tube and positioned at the correct angle with inserts inside to fit the lifts listed below.

Features

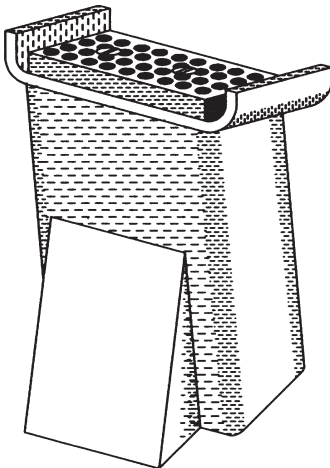
- Bright Yellow Paint Finish

SVI Part Number	for Lift Mfg by:	Height
BH-9680-01	Chllngr/Wvr	9"
BH-9680-01A	"	11"

Lift Manufacturer Standard Adapter Characteristics:

Challenger - flip-up cast adapter.

Weaver - flip-up cast adapter.



Type - SOCWP

This Height Extension Adapter has a 3" x 6" rectangular top formed from heavy, steel plate with a Replaceable Rubber Pad. The top is welded to 3/16" rectangular tube and positioned at the correct angle with inserts inside to fit the lifts listed below.

Features

- Replaceable Rubber Pad
- Bright Yellow Paint Finish

SVI Part Number	for Lift Mfg by:	Height
BH-9680-01B	Chllngr/Wvr	9"
BH-9680-01C	"	11"

Lift Manufacturer Standard Adapter Characteristics:

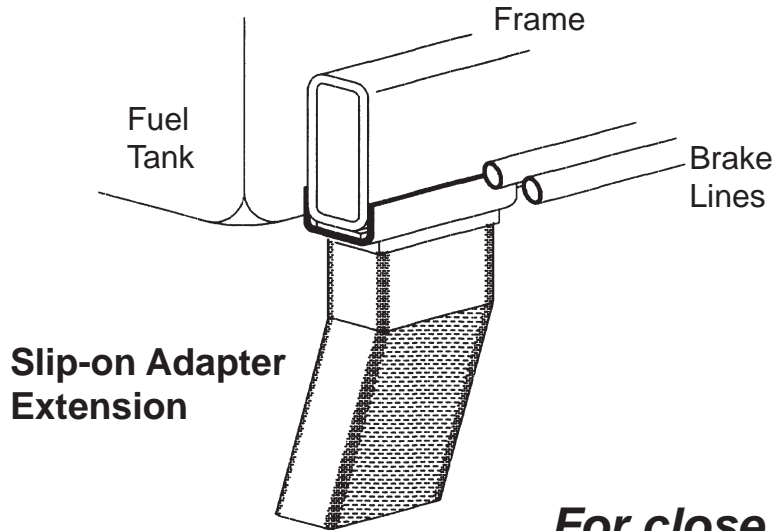
Challenger - flip-up cast adapter.

Weaver - flip-up cast adapter.

Height Extension Adapters

Type - SONRW

For In-Ground Lifts



For close to frame obstructions

Commonly sold for use on the rear of late model trucks. Avoids denting or puncturing fuel tank and smashing brake lines.

Features

- Bright Yellow Paint Finish
- Replaceable Rubber Pad

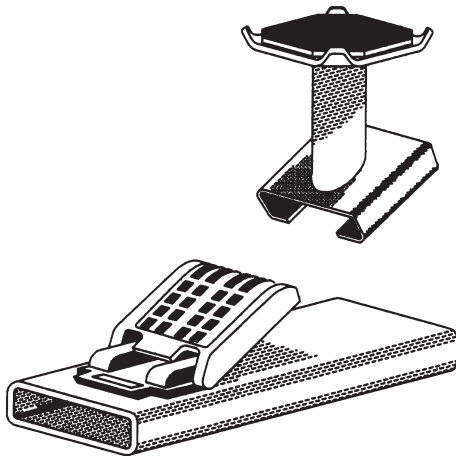
This Height Extension Adapter has a 4-1/2" long x 3" wide rectangular top formed from heavy, steel plate. The top is welded to 3/16" rectangular tube and positioned at the correct angle with inserts inside to fit the lifts listed below.

SVI Part Number	for Lift Mfg by:	Height
BH-9380-06	Gilbarco & Manitowoc	9"
BH-9420-27	Globe & Ford Smith	9"
BH-9755-48	Rotary & General	9"
BH-9680-00	Weaver & Challenger	9"
BH-9712-11	Western	9"

Height Extension Adapters

For In-Ground Lifts

Type - SOGP



This Height Extension Adapter has a 5-1/2" x 5-1/2" square top with four corners turned up formed from heavy, steel plate with a Replaceable Rubber Pad. The top is welded to 2-1/2" O.D. tube and positioned at the correct angle. The "Slip-On" bottom is formed from 3/16" steel and welded to the tube to fit the lifts listed below:

Features

- Replaceable Rubber Pad
- Bright Yellow Paint Finish

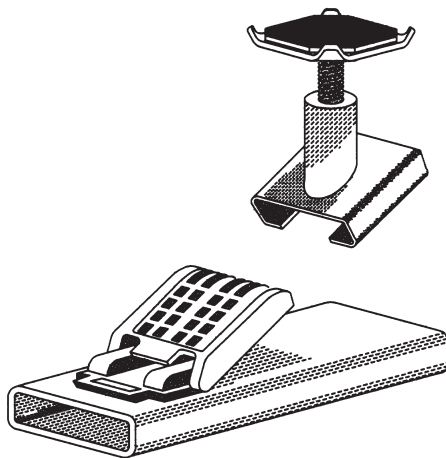
Lift Manufacturer Standard Adapter Characteristics:

Gilbarco - flip-up cast adapter.

Globe - flip-up cast adapter.

SVI Part Number	for Lift Mfg by:	Height
BH-9380-04	Gilbarco	8-1/2"
BH-9420-25	Globe	8-1/2"

Type - SOGPA



This Height Extension Adapter has a 5-1/2" x 5-1/2" square top with four corners turned up formed from heavy, steel plate with a Replaceable Rubber Pad. The top is welded to a 1-1/4" thread that screws up and down inside a 2-1/2" O.D. tube. For safety, the threaded portion cannot be screwed out. The "Slip-On" bottom is formed from 3/16" steel and welded to the tube to fit the lifts listed below:

Features

- Replaceable Rubber Pad
- Bright Yellow Paint Finish

Lift Manufacturer Standard Adapter Characteristics:

Gilbarco - flip-up cast adapter.

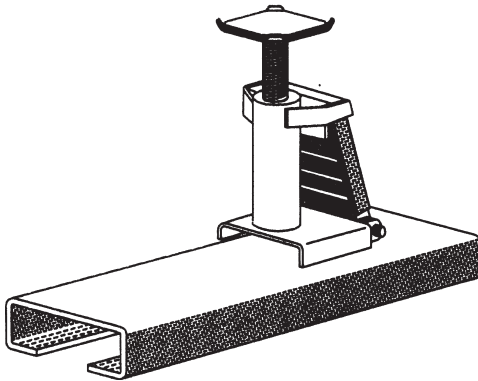
Globe - flip-up cast adapter.

SVI Part Number	for Lift Mfg by:	Height
BH-9380-05	Gilbarco	7"-10"
BH-9420-26	Globe	7"-10"

Height Extension Adapters

Type - *SORNA*

**For
In-Ground & Surface
Mount Lifts**



This Height Extension Adapter has a 5-1/2" x 5-1/2" square top with four corners turned up formed from heavy, steel plate with a Replaceable Rubber Pad. The top is welded to a 1-1/4" thread that screws up and down inside a 2-1/2" O.D. tube. For safety, the threaded portion cannot be screwed out. The "**Slip-On**" bottom and side support are formed from 1/4" and 3/16" steel respectively and welded to the tube to fit the lift listed below:

Features

- Replaceable Rubber Pad - order BH-7235-90AX
- Bright Yellow Paint Finish

*Lift Manufacturer Standard
Adapter Characteristics:*

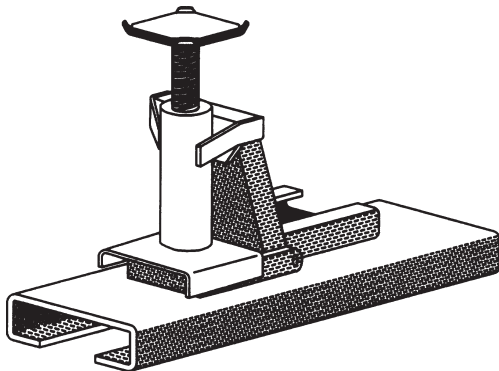
Rotary - flip-up cast adapter.

Wheeltronic - (Snap-on) flip-up cast adapter.

SVI	for Lift	
Part Number	Mfg by:	Height
BH-9755-49	Rotary	7-11"
BH-7790-00	Wheeltronic	7-11"

Type - *SOWNA*

**For
In-Ground
Lifts**



This Height Extension Adapter has a 5-1/2" x 5-1/2" square top with four corners turned up formed from heavy, steel plate with a Replaceable Rubber Pad. The top is welded to a 1-1/4" thread that screws up and down inside a 2-1/2" O.D. tube. For safety, the threaded portion cannot be screwed out. The "**Slip-On**" bottom and side support is formed from 1/4" and 3/16" steel respectively and welded to the tube to fit the lift listed below:

Features

- Replaceable Rubber Pad - order BH-7235-90AX
- Bright Yellow Paint Finish

*Lift Manufacturer Standard
Adapter Characteristics:*

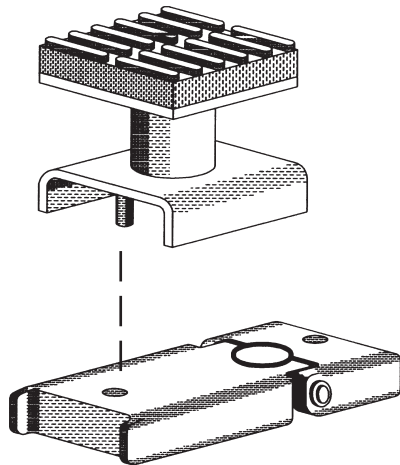
Western - flip-up metal adapter.

SVI	for Lift	
Part Number	Mfg by:	Height
BH-9712-07N	Western	8-12"

Height Extension Adapters

For In-Ground & Surface Mount Lifts

Type - *SPR*



This Height Extension Adapter has a 4" x 5" rectangular top formed from heavy, steel plate with a Replaceable Rubber Pad. The top is welded to 2-1/2" tube. The "**Slip-Over**" bottom is formed using 5/16" heavy, steel plate and has a 5/8" pin welded to the bottom.

Features

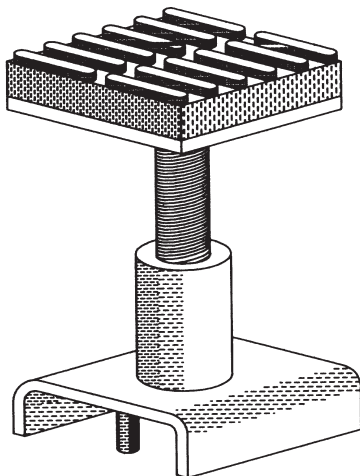
- Replaceable Rubber Pad - order BH-7101-00
- Bright Yellow Paint Finish

*Lift Manufacturer Standard
Adapter Characteristics:*

Rotary - flip-up cast adapter.

General - flip-up cast adapter.

SVI Part Number	for Lift Mfg by:	Height	SVI Part Number	for Lift Mfg by:	Height
BH-9789-93	Rotary	3"	BH-9789-95	Rotary	5"
BH-9789-94	Rotary	4"	BH-9789-96	Rotary	6"



Type - *ASPR*

This Height Extension Adapter has a 4" x 5" rectangular top formed from heavy, steel plate with a Replaceable Rubber Pad. The top is welded to a 1-1/4" thread that screws up and down inside a 2-1/2" O.D. tube. For safety, the threaded portion cannot be screwed out. The "**Slip-Over**" bottom is formed using 5/16" heavy, steel plate and has a 5/8" pin welded to the bottom.

Features

- Replaceable Rubber Pad - order BH-7101-00
- Bright Yellow Paint Finish

*Lift Manufacturer Standard
Adapter Characteristics:*

Rotary - flip-up cast adapter.

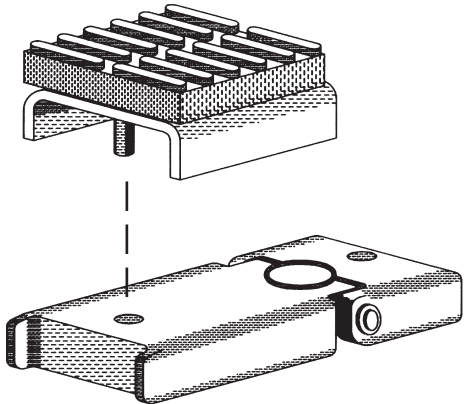
General - flip-up cast adapter.

SVI Part Number	for Lift Mfg by:	Height
BH-9789-97	Rotary	4"-6"

Height Extension Adapters

Type - *SPR1*

For In-Ground & Surface Mount Lifts



This Height Extension Adapter has a 4" x 5" rectangular top formed from heavy, steel plate with a Replaceable Rubber Pad and has a 5/8" pin welded to the bottom. Intended more as a protective rubber pad assembly to protect undercoating rather than a Height Extension.

Features

- Replaceable Rubber Pad - order BH-7101-00
- Bright Yellow Paint Finish

*Lift Manufacturer Standard
Adapter Characteristics:*

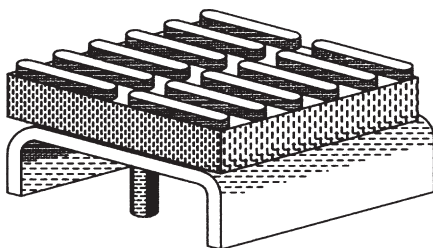
Rotary - flip-up cast adapter.

General - flip-up cast adapter.

SVI	for Lift	
Part Number	Mfg by:	Height
BH-9789-98	Rotary	1"

For In-Ground Lifts

Type - *SPW1*



This Height Extension Adapter has a 4" x 5" rectangular top formed from heavy, steel plate with a Replaceable Rubber Pad and has a 1/2" pin welded to the bottom. Intended more as a protective rubber pad assembly to protect undercoating rather than a Height Extension.

Features

- Replaceable Rubber Pad - order BH-7101-00
- Bright Yellow Paint Finish

*Lift Manufacturer Standard
Adapter Characteristics:*

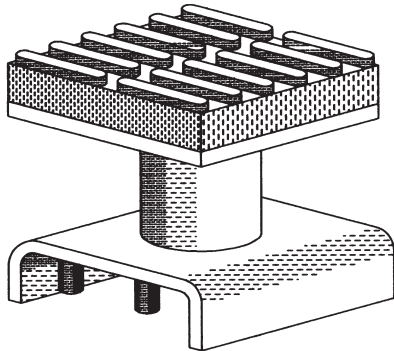
Western - flip-up metal adapter.

SVI	for Lift	
Part Number	Mfg by:	Height
BH-9712-13	Western	1"

Height Extension Adapters

For In-Ground Lifts

Type - SPCW



This Height Extension Adapter has a 4" x 5" rectangular top formed from heavy, steel plate with a Replaceable Rubber Pad. The top is welded to 2-1/2" tube. The "**Slip-Over**" bottom is formed using 5/16" heavy, steel plate and has two 5/8" pins welded to the bottom.

Features

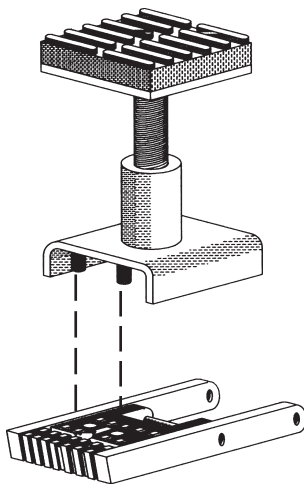
- Replaceable Rubber Pad - order BH-7101-00
- Bright Yellow Paint Finish

*Lift Manufacturer Standard
Adapter Characteristics:*

Challenger - flip-up cast adapter.

Weaver - flip-up cast adapter.

SVI Part Number	for Lift Mfg by:	Height
BH-9681-01	Chllngr/Wvr	3"
BH-9681-02	"	4"
BH-9681-03	"	5"
BH-9681-04	"	6"



Type - ASPCW

This Height Extension Adapter has a 4" x 5" rectangular top formed from heavy, steel plate with a Replaceable Rubber Pad. The top is welded to a 1-1/4" thread that screws up and down inside a 2-1/2" O.D. tube. For safety, the threaded portion cannot be screwed out. The "**Slip-Over**" bottom is formed using 5/16" heavy, steel plate and has two 5/8" pins welded to the bottom.

Features

- Replaceable Rubber Pad - order BH-7101-00
- Bright Yellow Paint Finish

*Lift Manufacturer Standard
Adapter Characteristics:*

Challenger - flip-up cast adapter.

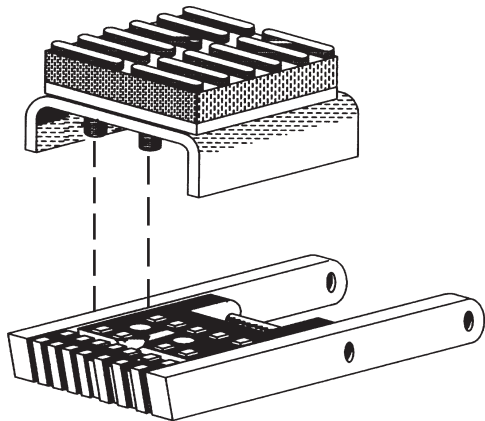
Weaver - flip-up cast adapter.

SVI Part Number	for Lift Mfg by:	Height
BH-9681-05	Chllngr/Wvr	4"-6"

Height Extension Adapters

For In-Ground Lifts

Type - SPCW1



This Height Extension Adapter has a 4" x 5" rectangular top formed from heavy, steel plate with a Replaceable Rubber Pad and has two 5/8" pins welded to the bottom. Intended more as a protective rubber pad assembly to protect undercoating rather than a Height Extension.

Features

- Replaceable Rubber Pad - order BH-7101-00
- Bright Yellow Paint Finish

Lift Manufacturer Standard Adapter Characteristics:

Challenger - flip-up cast adapter.

Weaver - flip-up cast adapter.

SVI	for Lift	
Part Number	Mfg by:	Height
BH-9681-06	Chllngr/Wvr	1"

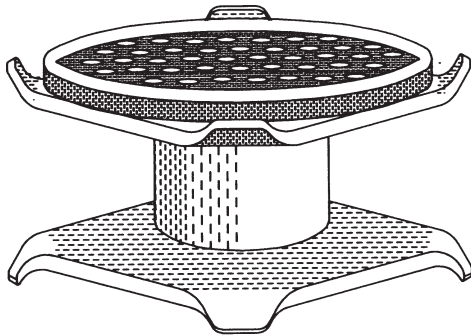
Personal
Lift Sales and Service Companies

Choose
SVI INC
S V I D I R T F I P BRAND
Lift Parts

Height Extension Adapters

For Speciality Lifts

Type - *LRPS*



This Height Extension Adapter has a 6" square top and bottom formed from heavy, steel plate with Replaceable Rubber Pads on both sides. The top and bottom are welded to 2-1/2" tube.

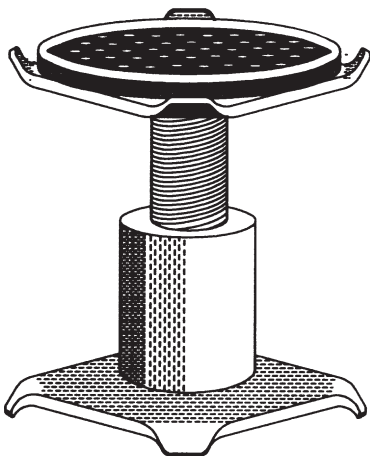
Features

- Replaceable Rubber Pads - order BH-7225-01
- Bright Yellow Paint Finish

Lift Manufacturer Standard Adapter Characteristics:

Any - Ideal for most low rise, pad and scissor lifts.

SVI Part Number	for Lift Mfg by:	Height
BH-7091-01	Any	3"
BH-7091-02	"	4"
BH-7091-03	"	5"
BH-7091-04	"	6"
BH-7091-05	"	7"



Type - *ALRPS*

This Height Extension Adapter has a 6" square top and bottom formed from heavy, steel plate with Replaceable Rubber Pads. The top is welded to a 1-1/4" thread that screws up and down inside a 2-1/2" O.D. tube welded to the bottom. For safety, the threaded portion cannot be screwed out.

Features

- Replaceable Rubber Pads - order BH-7225-01
- Bright Yellow Paint Finish

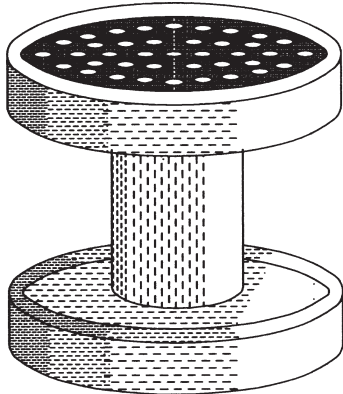
Lift Manufacturer Standard Adapter Characteristics:

Any - Ideal for most low rise, pad and scissor lifts.

SVI Part Number	for Lift Mfg by:	Height
BH-7091-06	Any	4"-6"
BH-7091-07	"	5"-8"

Height Extension Adapters

For Speciality Lifts



Type - LRPR

This Height Extension Adapter has a 6" round top and bottom formed from heavy, steel plate with Replaceable Rubber Pads on both sides. The top and bottom are welded to 2-1/2" tube.

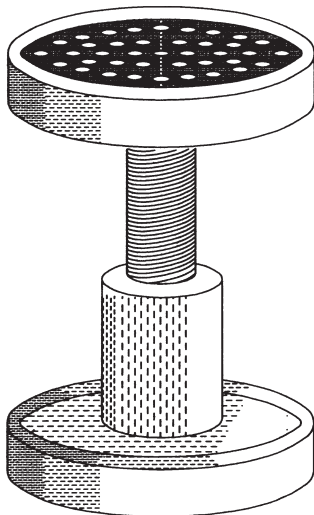
Features

- Replaceable Rubber Pads - order BH-7150-02
- Bright Yellow Paint Finish

Lift Manufacturer Standard Adapter Characteristics:

Any - Ideal for most low rise, pad and scissor lifts.

SVI Part Number	for Lift Mfg by:	Height
BH-7091-10	Any	3"
BH-7091-11	"	4"
BH-7091-12	"	5"
BH-7091-13	"	6"
BH-7091-14	"	7"



Type - ALRPR

This Height Extension Adapter has a 6" round top and bottom formed from heavy, steel plate with Replaceable Rubber Pads. The top is welded to a 1-1/4" thread that screws up and down inside a 2-1/2" O.D. tube welded to the bottom. For safety, the threaded portion cannot be screwed out.

Features

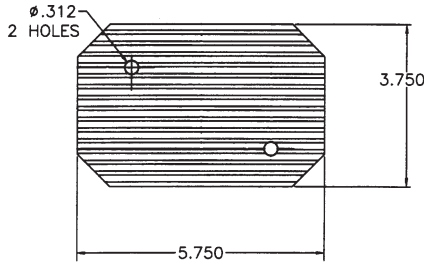
- Replaceable Rubber Pads - order BH-7150-02
- Bright Yellow Paint Finish

Lift Manufacturer Standard Adapter Characteristics:

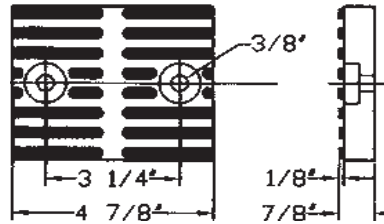
Any - Ideal for most low rise, pad and scissor lifts.

SVI Part Number	for Lift Mfg by:	Height
BH-7091-15	Any	4"-6"
BH-7091-16	"	5"-8"

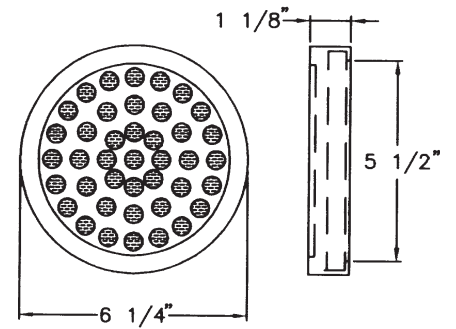
Replacement Rubber Arm Pads



BH-7165-02
Pad for Alamo ASSSA

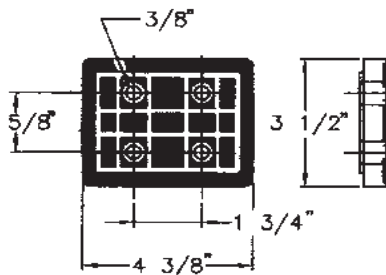


BH-7101-00
Pad for Ammco

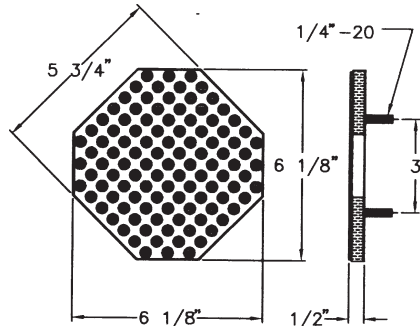


BH-7150-02
Pad for A L M

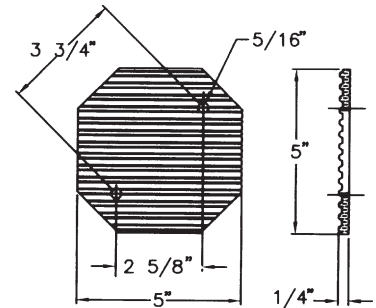
Small Square Pad Also Available
order BH-7214-02



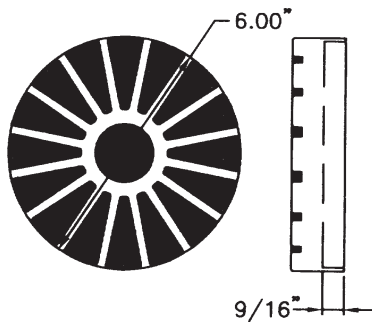
BH-7205
Pad for Benwil & Bishamon
metric screws order **BH-7205-01**



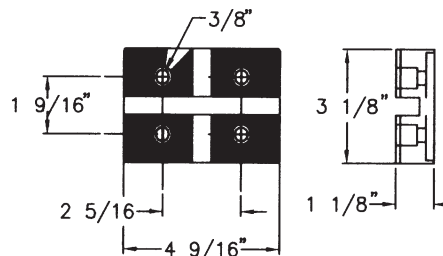
BH-7225-01
Pad for Challenger & V B M



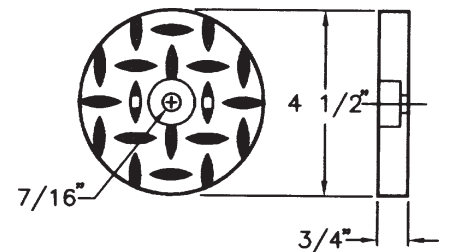
BH-7235-90A
Pad for Forward
also sold in kits of 4 w/ hardware
order BH-7235-90 for kit



BH-7243-01
Pad for Fuchs - Zippo

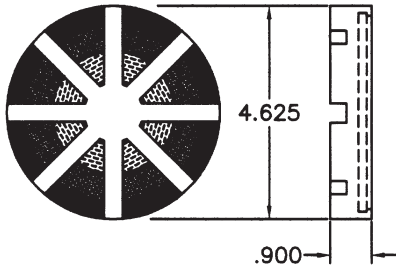


BH-7250-01
Pad for Globe

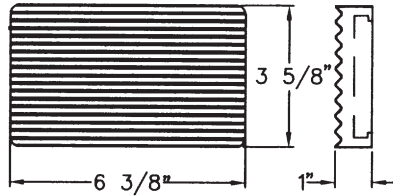


BH-7250-02
Pad for Globe & Ford Smith

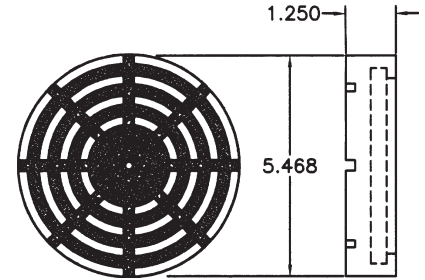
Replacement Rubber Arm Pads



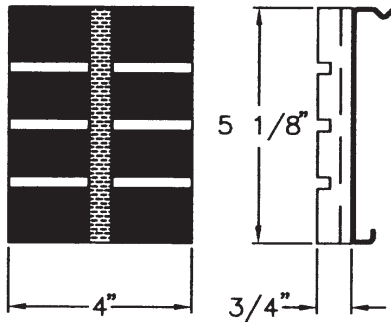
BH-7276-00
Pad for Hofmann



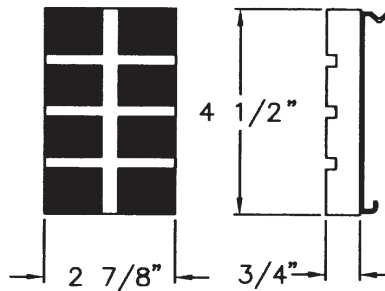
BH-7276-01
Pad for Hofmann



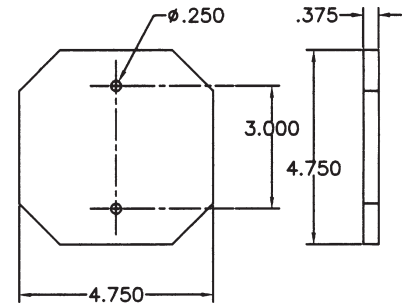
BH-7285-10
Pad for Hydra Lift



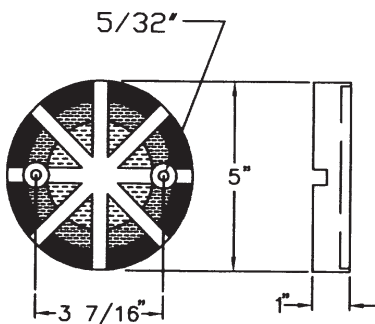
BH-7350-00
Pad for Gilbarco & Manitowoc



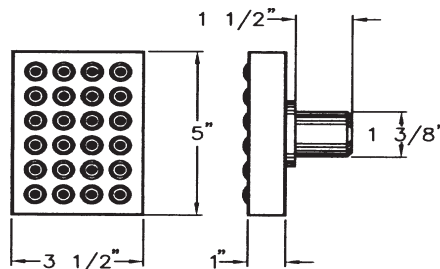
BH-7352-03
Pad for Gilbarco & Manitowoc



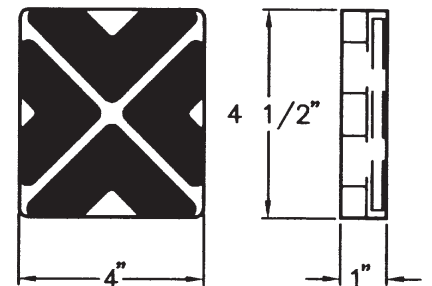
BH-7435-07
Pad for P M W



BH-7450-02
Pad for Nussbaum, Force & Phoenix

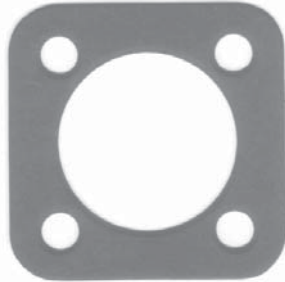


BH-7475-01
Pad for Bend-Pak or for Adapter
with a replaceable Rubber Pad
order **BH-7475-01R**
uses BH-7101-00 as Pad



BH-7750-02
Pad for Western, Grand & Worth

You need this . . .



You don't have the part number, but SVI sales professionals can still find the part. Offering over 12,000 parts like this gasket, our sales pros are cross-trained on nearly every in-ground and surface mount lift in use today. Convenience like this has made SVI the leader in lift repair parts throughout North America. From three ***"Ready Ship"*** warehouses to producing obsolete parts - SVI has earned the reputation as your **Direct Fit** source. **SVI**

is your Answer!



SVI International, Inc.
LIFT REPAIR PARTS

BALTIMORE - CHICAGO - LOS ANGELES

Main Office: 101 W. Illinois Ave. • Aurora, Illinois 60506 • 800-321-8173 • Fax 800-899-1784