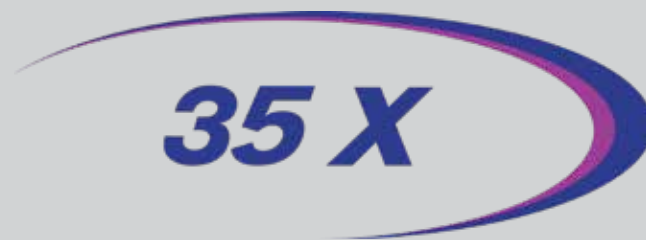


Service Parts List

Integra 35X **Beginning with S/N PC710307** Truck Refrigeration Units





TRANSICOLD

**Service Parts List
Integra 35X
Beginning with
S/N PC710307**

Table of Contents

1. Condenser Kit	1
2. Electrical Kit	4
3. Evaporator Kit	17
4. Frame Kit.....	21
5. Mounting Hardware.....	24
6. Motor/Compressor Kit	26
7. Service Tools	30
8. Skins/Decal Kit.....	32
9. Standby Power Plug Kit	33
10. Field Installed Options	35

NOTE: This parts list was published in November 2020 and is to be used for reference only. Parts and other information contained in this list may have changed since this list was published. As such, Carrier Transicold cannot be liable for parts ordered in error based on outdated information. For the most current parts available, contact the Performance Parts Group (PPG) Customer Response Center Monday through Friday 8am to 6pm EST at 1-800-255-7382 (email ppg.customerservice@carrier.com).

Carrier Transicold reserves the right to discontinue or change, at any time, specifications or designs without notice and without incurring obligations. Care was taken to make the information contained herein as accurate as possible. We do not guarantee, however, that the catalog is free from errors. As such, prior to ordering, please pro

Manual Revision History - 62-12032

Rev.	Date	Reason for Release
-		New product – new manual
B	4/2018	Updated
C	09/2019	Corrected error in Quick List; added Revision History
D	01/2020	Corrected error in Quick List, updated logo
E	11/11/2020	Added Field Installed Options (section 10); updated parts lists - Condenser, Electrical, Evaporator, Frame, Motor/Compressor; updated cover

Introduction

Introduction

This parts lists identifies service replacement parts for Carrier Transicold 35X refrigeration units. These units are designed for medium temperature cooling, heating and defrost for truck applications.

Detailed parts identification for these items may be found in the applicable parts lists.

Model Chart

Model Chart		
These may be ordered using the model number as the part number. (All Units are supplied with ThinLine Evaporator and Condenser Shut-off Valve)		
Description	Voltage	Model Number
Road Only	12V, No Standby	TRC135R03D
Road and Standby	115 / 1 / 60	TRS135R53D
Road and Standby	230 / 1 / 60	TRS135R13D
Road and Standby	230 / 3 / 60	TRS135R23D

Ordering Instructions

All orders and inquiries for parts must include:

- Unit Serial Number
- Description of part as shown on list
- Part No.
- Quantity required

Address all correspondence for parts to the following address according to your living area.

You live in:	Europe (East/West) Africa - Middle East	America (North/Middle/South) N.A.O.
Address your orders to:	CARRIER TRANSICOLD EUROPE L' Européen Bâtiment D 4, Rue Joseph Monier 92500 Rueil-Malmaison Phone: (33).1.41.42.28.00 Fax: (33).1.41.42.28.28	CARRIER TRANSICOLD Division Replacement Components Group TR-20 P.O. Box 4805, Syracuse, NY 13221 or Fax to: (315) 432.3778

General Notes

To find replacement parts, determine the major group in which the replacement part is located. Then, consult the table of contents for the appropriate page for the illustrated breakdown of the replacement part.

The following letter designations are used to classify parts throughout this list.

A/R	As Required.
NLO	No Longer Offered.
NS	Not Shown in the Illustration
NSA	Non-Stock Assembly - order components listed under the Assembly
NSI	Non-Stock - may be available on special order.
NSS	Not Sold Separately - order next higher Assembly or kit.
PL	Purchase Locally.
SST	Stainless Steel - 300 Series unless otherwise specified.
SV - SK	Suffix SV - SK added to part number refers to a spare parts kit.
PL*	Purchase locally. May be obtained under specific conditions (Multipack, delivery date, price...)

2 Quick List**2.1 Quick List - Filters and Fuses**

Part Number	Part Description
65-60081-00	Filter Drier, 1.56 Liter (Standby units only)
65-60081-50	Filter Drier, 1.56 Liter (Road units only)
65-60081-10	Receiver without Shut-Off Valve
65-60081-20	Valve, Shut-Off
65-60081-30	Gasket, Shut-Off Valve
22-02336-01	Fuse, 20A
22-02336-02	Fuse, 5A
22-60313-00	Fuse Holder (FOR ABOVE 5A Fuse)
22-60543-10	Fuse, 25A, 115/1/60 Units
22-60543-07	Fuse, 12A, 230/1/60 Units
22-60543-06	Fuse, 10A, 230/3/60 Units
22-60540-01	Fuse Holder, 2 Poles, 115/1/60 AND 230/1/60 Units
22-60540-00	Fuse Holder, 3 Poles, 230/3/60 Units
22-02336-14	Fuse, 30 Amp
22-02336-16	Fuse, 40 Amp
22-60102-17	Fuse, 5X20 3.15A, 230/3/60 Units
22-60102-18	Fuse, 5X20 4A, 230/1/60 Units
22-60102-07	Fuse, 5X20 6.3A, 115/1/60 Units
22-60102-08	Fuse, 5X20 4A, 230/3/60 Units
22-02336-10	Fuse, 1 Amp
22-02336-29	Fuse, 50 Amp
22-60102-09	Fuse, 5A, 600V
22-60313-01	Fuse Holder
22-02336-00	Fuse, 30A
22-50078-61SV	Fuse Holder and Cover Assembly, Maxi Fuse
12-00526-88	Fuse, 1AMP (For Standby Logic Boards)
22-50098-49SK	Fuse Holder and cover, Maxi Fuse Holder Type Compressor

2.2 Quick List - Compressor, Clutch, Standby Motor

Part Number	Part Description
18-00083-02	Compressor, 12V, 2A Groove, 135MM, Leaf Spring
18-00083-70	Compressor, 12V, 8-Groove, Poly-V
18-00083-80	Compressor, 12V, Variable A/B Groove, 135MM, Leaf Spring
50-60135-00	Compressor Clutch Assembly, 12V, 2A Groove, 135MM, Leaf Spring
17-31252-00	Compressor Clutch Assembly, 12V, Variable A/B Groove, 135MM, Leaf Spring
AC501-291	Compressor Clutch Assembly, 12V, 8-Groove Poly-V
17-31307-00	Coil, Compressor Clutch, 12V

40-60218-00	Flange, Compressor, with Service Ports
54-60028-13	Motor, Standby, 115V/1/60
54-60028-12	Motor, Standby, 230V/1/60
54-60028-10	Motor, Standby, 230V/3/60
50-60198-02	V-Belt, A Section Motor/ Compressor
2.3 Quick List - Refrigeration, TXV, Solenoid Valves, Coils, Sightglass	
Part Number	Description
14-00286-00	Check Valve, Evaporator H.G. Inlet, 3/8 ORFS M/F
14-00286-02	Check Valve, Oil Sep.Outlet, 1/2"ORFS M/F, Standby Units Only
14-00286-04	Check Valve, Road Discharge, 1/2"ORFS, Standby Units Only
14-00332-00	Valve, Solenoid, Condenser, Shut-Off, 1/2 ODF-1/2 ODM, without Coils
14-01092-06	Sight Glass / Moisture Indicator, 3/8" ORS
14-60062-06	Valve, Solenoid, Hot Gas without Coil, 3/8" ORFS
22-60268-00	Coil, Condenser, Shuf-Off Valve, 12VDC
22-60590-00	Coil, Hot Gas Valve, 12VDC (Mates with 22-01613-02 Connector)
14-60000-01	Valve, Compressor Pressure Regulating, CPR
14-60039-10	Valve, Expansion, TXV, 1/2" ODF X 3/8 Flare
14-60009-03	Orifice, TXV, NO. 3, Brazed-on
22-60405-00	Coil, Quench Valve, 12VDC
14-00329-01	Valve, Solenoid,, Quench Valve, without Coil, 1/4 ODF-1/4 ODM
14-00269-10	Repair Kit, Quench Valve

2.4 Quick List - Harnesses and Cab Command

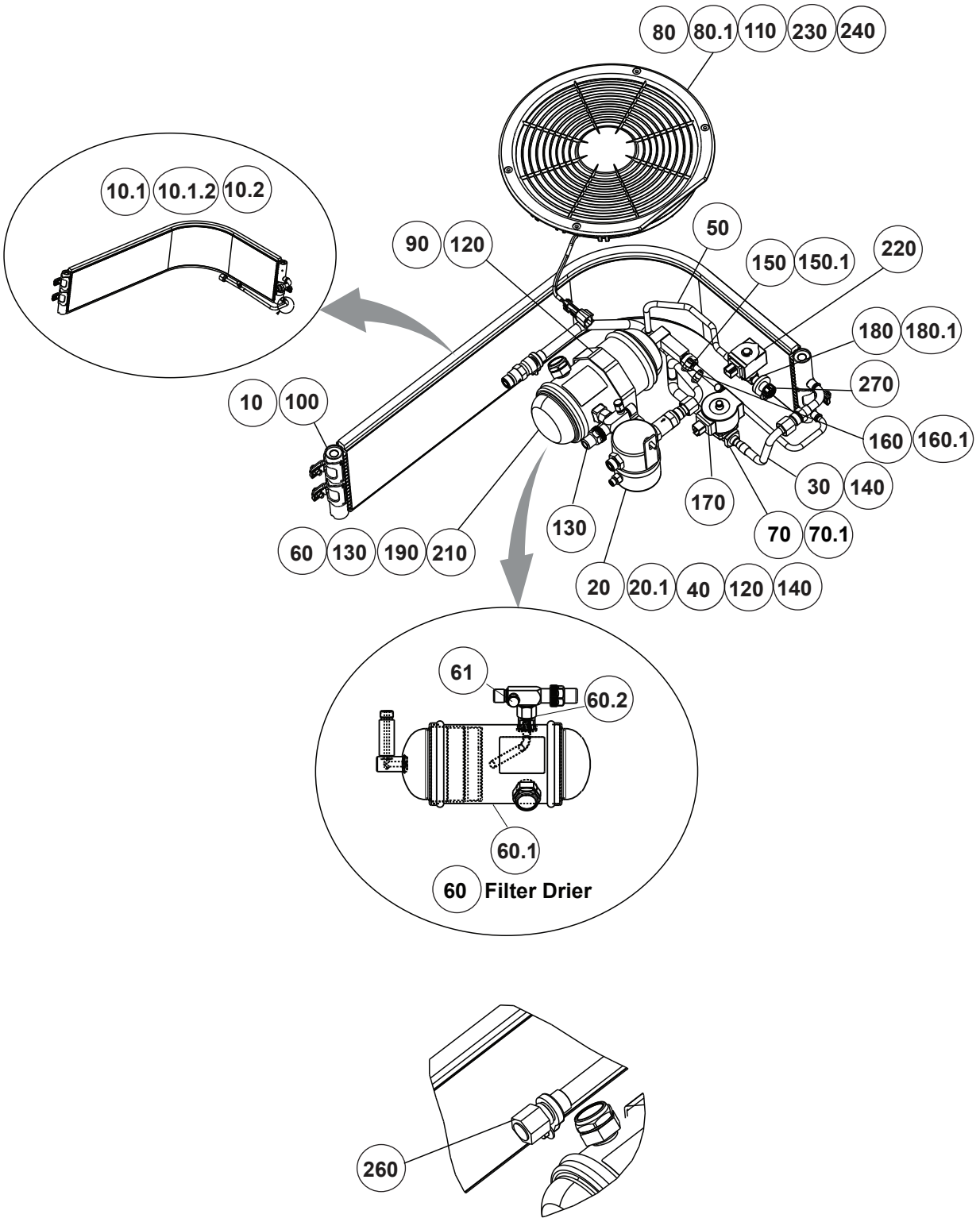
Part Number	Description
22-60796-01	Harness, Unit, Road Only
22-60604-00	Harness, Unit, Standby Units
22-60606-03	Harness, Control Box, 115/1/60 Units
22-60606-02	Harness, Control Box, 230/1/60 Units
22-60606-00	Harness, Control Box, 230/3/60 Units
22-60571-10	Harness, Evaporator Extension, 3M (9.8 FT)
22-60571-11	Harness, Evaporator Extension, 6M (19.7 FT)
22-60419-00	Harness, Quench Valve
79-60409-00	Cab Command, Road Only - Includes:
79-60428-00	Cab Command, Standby Units Only - Includes:
22-60166-00	Bracket, Cab Command
22-60168-05	Cable Assembly, Cab Command, Road Only, 10 Meters (32.8FT) LONG
22-60551-04	Cable Assembly, Cab Command, Standby Units Only, 10 M (32.8FT) LG

2.5 Quick List - Sensors and Switches

Part Number	Description
12-60032-02	Switch, Pressure, NC. - 465/360 PSIG - Includes:
22-50078-02SV	Connector, 2-Wire (Mates with 22-50078-01SV)
12-60032-03	Switch, Pressure, NO. 247/320 PSIG - Includes:
22-50078-01SV	Connector, 2-Wire (Mates with 22-50078-02SV)
12-60015-04	Switch, Pressure, NC. -3/14.5 PSIG - Includes:
22-02392-00SV	Connector, 2-Wire (Mates with 22-01585-00SV)
22-60810-00	Thermostat Assembly, Defrost Klixon
12-00507-00	Thermostat, Quench Valve
22-60167-01	Sensor Assembly, Thermistor - Includes:
22-50078-02SV	Connector, 2-Wire (Mates with 22-50078-01SV)
10-00437-01	Switch, Safety, SKS
22-60668-00	Connector, 2-Wire, Safety Switch, SKS

2.6 Quick List - Field Option Kits				
Part Number	Part Description			
76-61059-00	Roofmount Kit			
76-61059-01	Roofcut Kit			
76-61042-02	Extension Kit, Remote Evaporator, 3M (9.8 FT)			
76-61042-03	Extension Kit, Remote Evaporator, 6M (19.7 FT)			
76-60891-00	Heater Kit, Defrost Drain Water			
76-61076-00	Standby Oil Return Kit			
2.7 Quick List - Refrigeration Hoses				
Part Number	Part Description			
58-60115-02F50	Hose, Refrigerant, #6			
58-60115-03F50	Hose, Refrigerant, #8			
58-60115-04F50	Hose, Refrigerant, #10			
58-60115-05F50	Hose, Refrigerant, #12			
2.8 O-Ring Face Seal Fittings and O-Rings				
Tube Size - OD	Sleeve P/N	Nut P/N	O-Ring P/N	Male Ors
1/4"	40-60008-01	40-60009-01	42-00243-10	40-60007-01
3/8"	40-60008-02	40-60009-02	42-00243-09	40-60007-02
1/2"	40-60008-03	40-60009-03	42-00243-04	40-60007-03
5/8"	40-60008-04	40-60009-04	42-00243-03	40-60007-04
7/8"	40-60008-06	40-60009-06	42-00243-00	40-00491-00

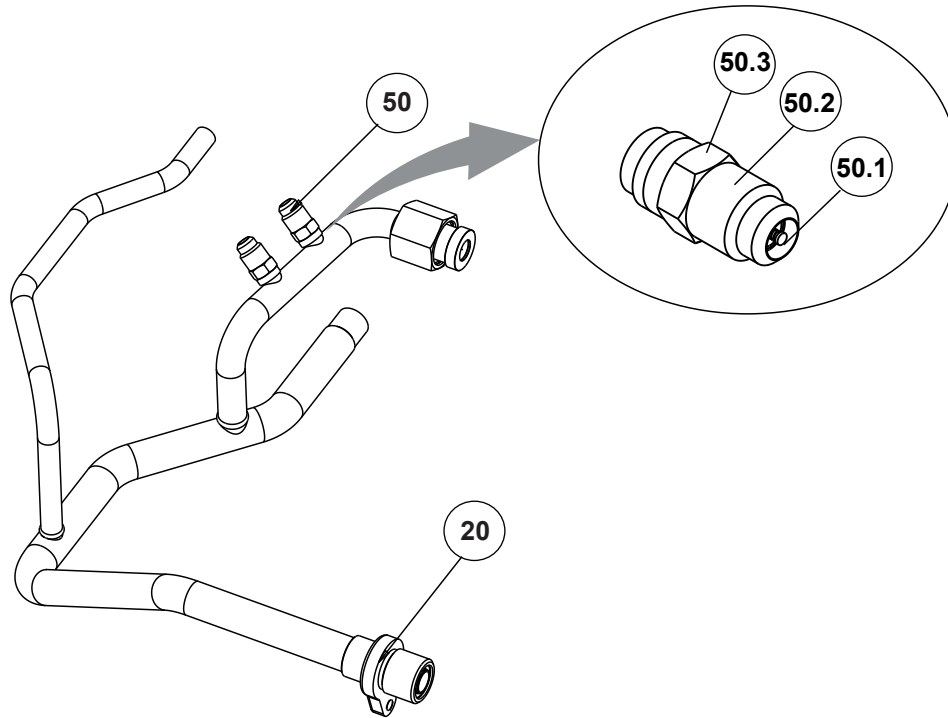
1. Condenser Kit



Road Only

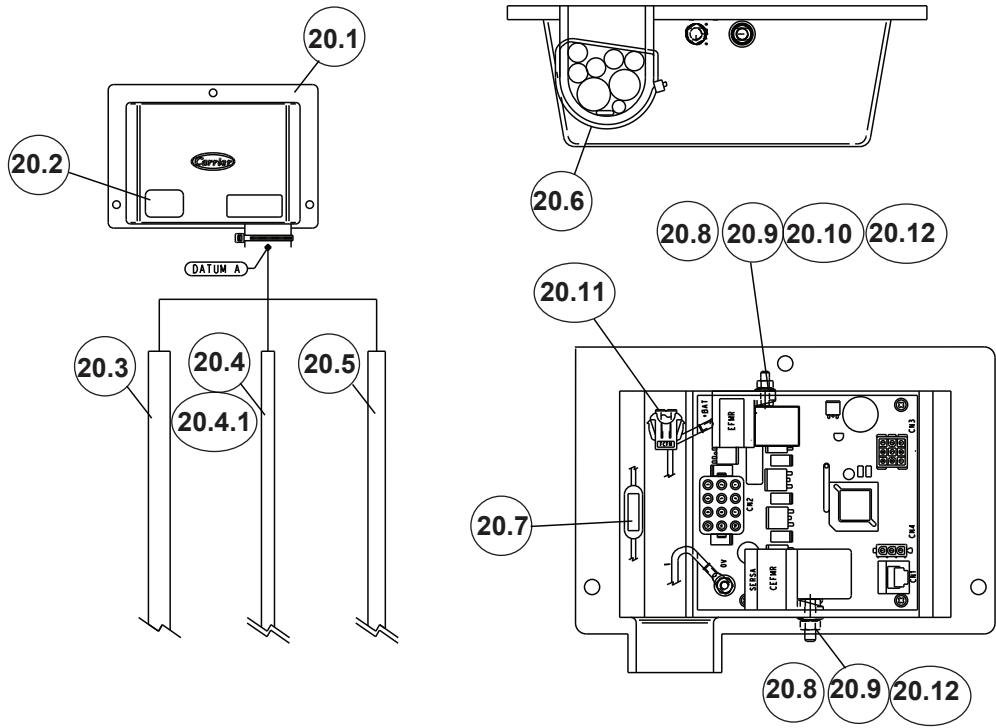
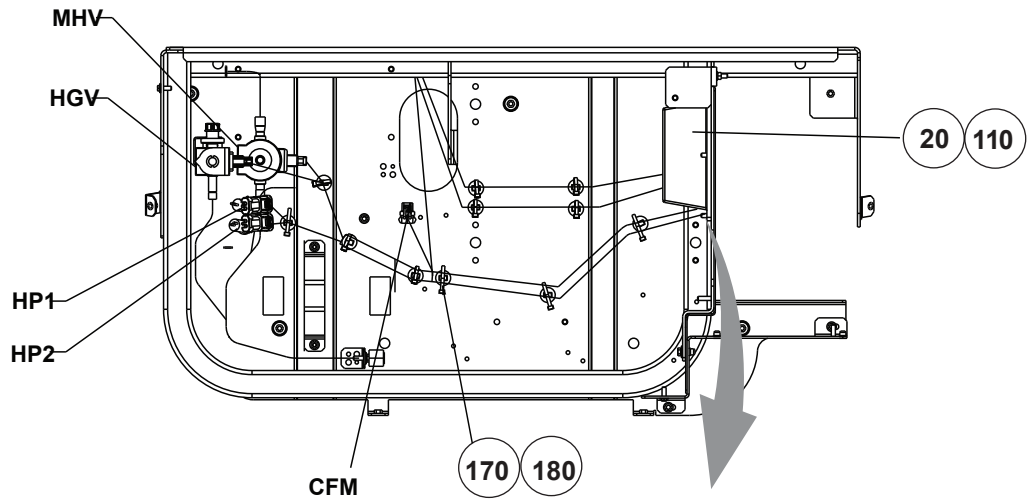
1. Condenser Kit			
Item	Part Number	Part Description	Quantity
		Condenser Kit, Standby - Includes:	
		Condenser Kit, Road - Includes:	
10	08-60252-00	Condenser, Pulsor	1
10.1	40-60159-01	Valve Assembly, Schrader - Includes:	1
10.1.1	40-60087-00	Valve, Schrader	1
10.2	40-60004-00	Cap, Schrader	1
20	65-60059-01	Oil Separator	1
20.1	40-60010-01	Plug, 1/3"	1
30	82-60331-00	Tube, Copper, 1/2"	1
40	34-60068-20	Screw, Captive Washer, M6 X 20MM Long	6
50	81-60951-00	Tube Assembly, Discharge, See Section 1.1	1
60	65-60081-00	Filter Drier, 1.56 Liter (Standby units only)	1
	65-60081-50	Filter Drier, 1.56 Liter (Road units only)	
60.1	65-60081-10	Receiver/Filter Drier - Includes:	1
60.2	65-60081-30	Gasket, Shut-Off Valve	1
61	65-60081-20	Valve, Shut-Off	1
70	14-00332-00	Valve, Solenoid, 1/2 ODF - 1/2 ODM	1
70.1	14-00332-10	Repair Kit, Valve	1
80	54-00702-01	Fan Motor, 12 VDC	1
80.1	22-50078-01SV	Connector Kit, 2-Pin	1
90	68-70647-01	Bracket, Drier	1
110	58-60772-00	Grille, Condenser	1
120	34-60089-06	Nut, Lock, M6	3
130	42-00243-09	O-Ring, 0.38 ID X 0.50 OD	3
140	42-00243-04	O-Ring, 0.50 ID X 0.62 OD	5
150	12-60032-02	Switch, Pressure, 465/360 PSIG	1
150.1	22-50078-01SV	Connector Kit, 2-Pin	1
160	12-60032-03	Switch	1
160.1	22-50078-02SV	Connector Kit, 2-Pin	1
170	22-60734-00	Coil, 12VDC	1
180	14-60062-06	Valve, Solenoid 3/8 ORFS (Standby units only) - Includes:	1
180.1	14-60062-10	Repair Kit, Valve	1
190	44-60024-05	Sta, Strap, 0 - 35 MM Diameter Bundle	1
210	62-00459-01	Tag, Caution	1
220	22-60590-00	Coil, Multi-Temp	1
230	34-60198-25	Screw, M5 X 25MM	4
240	34-60089-05	Nut, Lock., M5	4
250	14-00286-02	Check Valve, 12 M (Standby Only)	1
260	40-60010-03	Plug, Female (Road units only)	
270	58-60756-00	Cap, 3/8" ORFS	2
280	62-60948-01	Tag, Warning	1
290	40-60289-01	Fitting, Hose, 3/8 ORFS - (Standby units only)	1
300	58-60756-01	Cap, 1/2" ORFS	1
310	14-00286-04	Valve Check, 1/2 ORFS	1
320	42-60092-31	Foam, 180MM X 20MM X 19MM	1

1. Condenser Kit
1.1 Discharge Tube Assembly

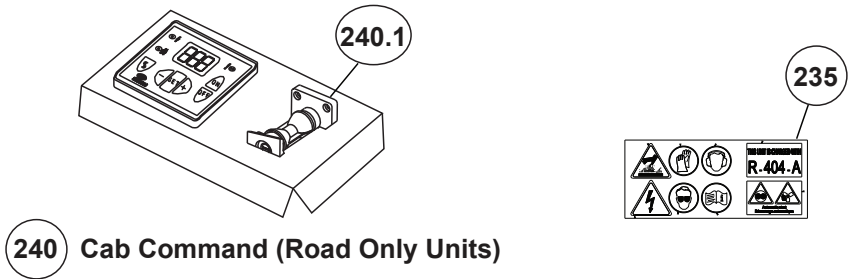


Item	Part Number	Part Description	Quantity
	81-60951-00	Discharge Tube Assembly - Includes:	1
20	40-60169-11	Fitting, 1/2 ORFS x 5/8 Solder	1
50	40-60159-00	Valve Assembly, Schrader - Includes:	1
50.1	40-60087-00	Valve, Schrader	1
50.2	40-60008-03	Sleeve, ORS, 1/2" Tube (Use 42-00243-04 O-Ring)	1
50.3	40-60009-03	Nut, ORS	1

2. Electrical Kit 2.1
Road Only Units



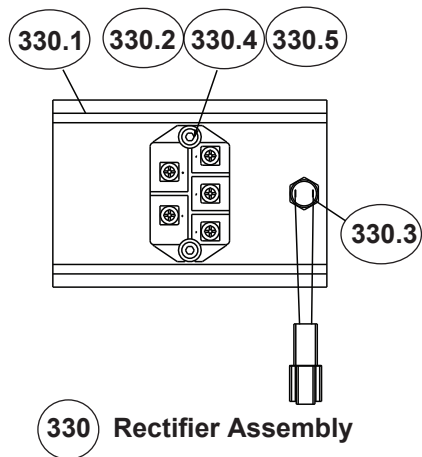
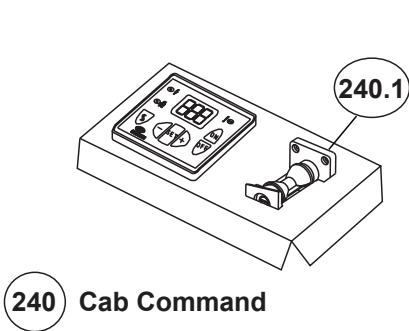
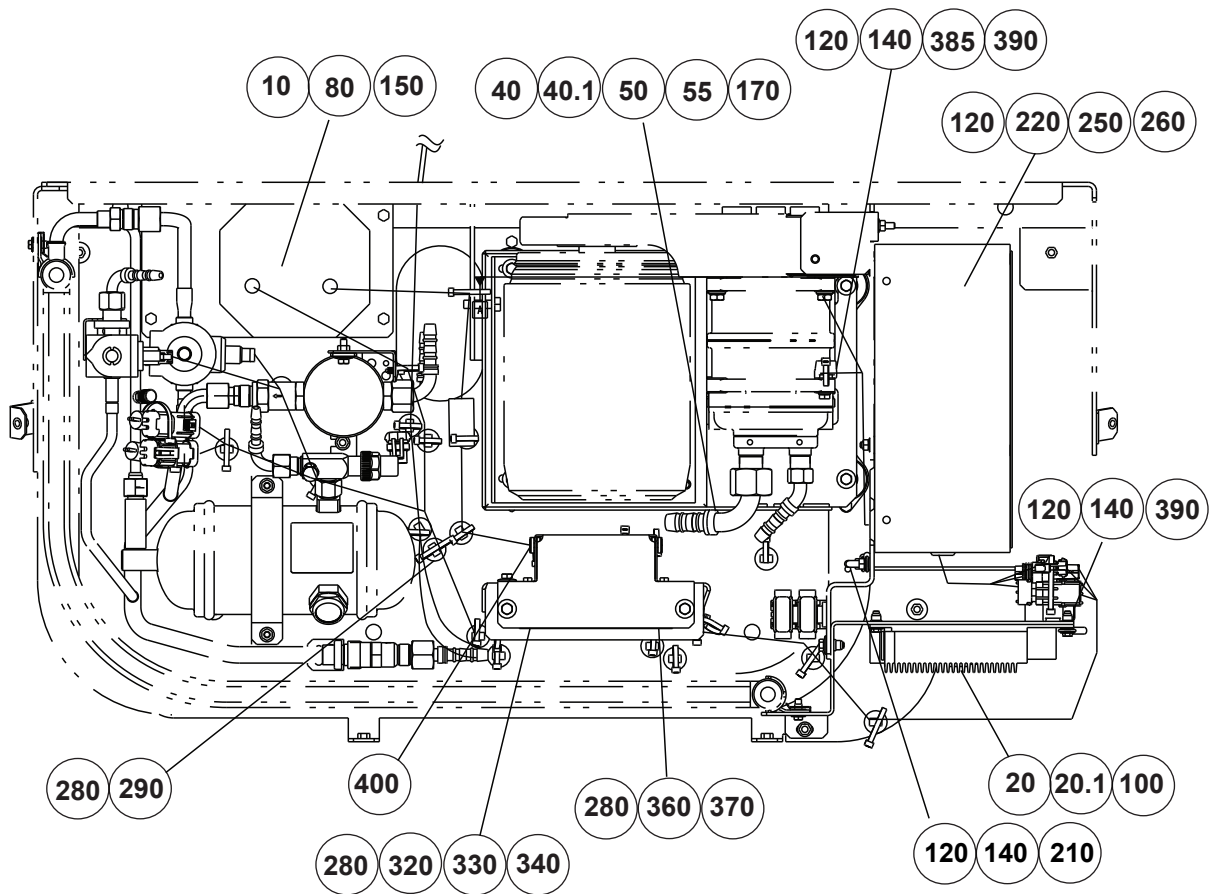
20 Logic Board Assembly, Road Only



240 Cab Command (Road Only Units)

2.1 Electrical Kit - Road Only			
Item	Part Number	Part Description	Quantity
	77-61232-00	Electrical Kit, Road Only - Includes	
20	91-60364-02	Logic Board Assembly, 35X Road Only - Includes:	1
20.1	12-00782-01	Logic Board	1
20.2	62-60870-00	Decal, Voltage, 12VDC	1
20.3	22-61100-00	Harness, Unit (See Section 2.d)	1
20.4	12-00512-31	Sensor Assembly, RAS - Includes:	1
20.4.1	22-60275-12	Logic	
20.5	22-60168-05	Cable, Cab Command, 10 Meters long	1
20.6	44-60024-09	Sta-Strap, 0 - 50 MM Bundle	1
20.7	22-02336-01	Fuse, 20A	1
20.8	34-60000-16	Screw, Machine, Hex Head, M5 X 16 MM	12
20.9	34-60089-05	Nut, Lock, M5	2
20.10	10-00385-03	Relay, 12 VDC	1
20.11	22-02336-00	Fuse, 30A	1
20.12	10-00286-07	Relay, 12 VDC	1
110	34-60089-06	Nut, Lock, M6	3
170	44-60024-09	Sta-Strap, 0-50 MM Bundle	10
180	44-60121-00	Bracket, Clamp, Tie Wrap	10
230	62-61679-00	Diagram, Integra 35X (Road only)	1
235	62-61335-03	Decal	1
240	79-60409-02	Cab Command	1
290	44-60024-25	Sta-Strap, 0-105MM Diameter Bundle	2
300	62-70001-01	Decal, GWP R-404a	1

2. Electrical Kit
2.2 Electrical Kit - Standby Units Only

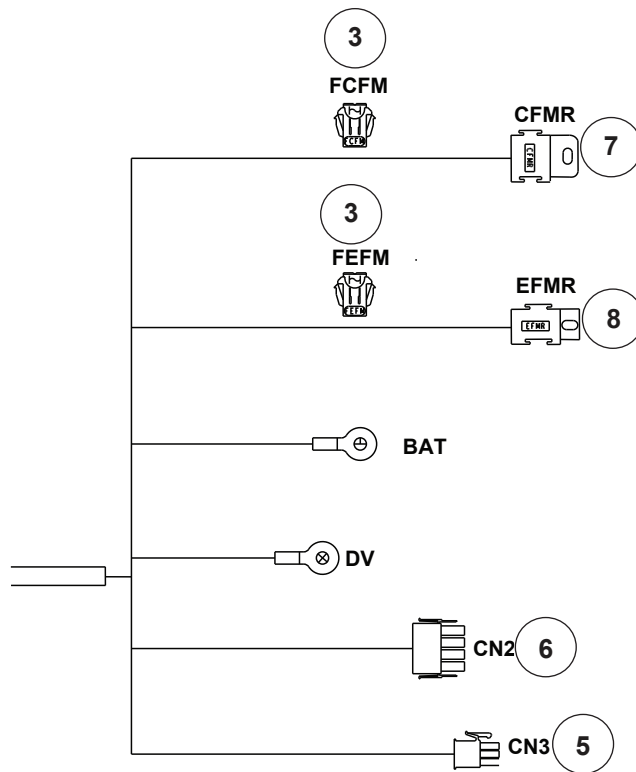
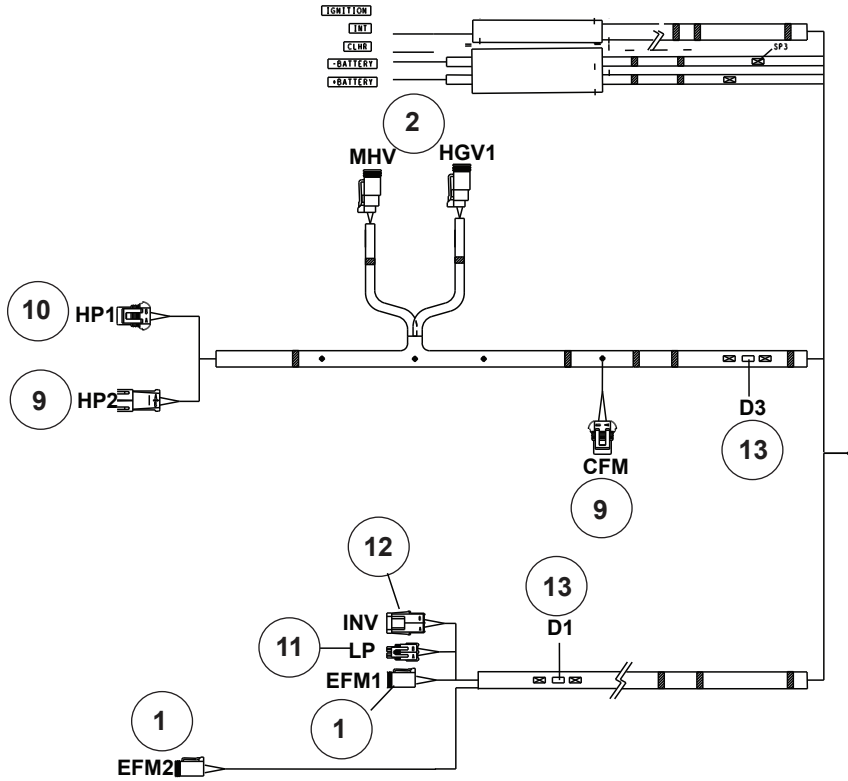


2.2.1 Electrical Kit - 230V / 3 / 50-60Hz			
Item	Part Number	Part Description	Quantity
		Electrical Kit - 230V / 3 / 50-60Hz	
10	10-00440-00	Transformer, Monophase 560VA 12V	1
20	12-00716-08	Logic Board	1
20.1	12-00716-89	Fuse, 1A, Time Delay	1
40	12-00751-00	Sensor Assembly	1
40.1	22-50078-02SV	Connector, 2-Wire (Mates with 22-50078-01SV)	1
50	22-61097-00	Harness, 35X Logic Board	1
55	22-61097-50	Harness, 35X Battery Supply	1
70	34-01234-01	Rivet, Blind, 0.188 Diameter, .137-.354	1
80	34-01152-12	Screw, Cap, Hex Head, M6 x 12MML	4
90	34-01152-30	Screw, Cap, Hex Head, M6 x 30MML	1
100	34-60206-16	Screw, Hex Washer Head, M6 x 16MM	4
120	34-60089-06	Nut, Lock, M6	9
140	34-60096-06	Washer, Lock	4
150	34-60095-27	Washer, Lock, M6 x 14MM OD	4
160	34-60095-46	Washer, Lock, M6 x 18MM OD	4
170	44-60024-09	Sta Strap, 0-50MM Diameter Bundle	11
200	58-60324-02	Cap, Protective	2
210	62-60180-00	Decal, Ground	1
215	62-60226-00	Decal, Ground	1
220	62-60899-06	Decal, Box 230/3/60HZ	1
230	62-61677-02	Diagram, 35X, 3Ph 230V 60HZ	1
240	79-60428-01	Cab Command	1
250	79-60515-02	Box, Assembly, Cover X300-05/350-0	1
260	91-60362-40	Control Box, 230V/3Ph/60HZ	1
280	44-60121-00	Bracket, Clamp - Tie Wrap	20
290	44-60024-25	Sta-Strap, 0-105MM Diameter Bundle	22
320	68-61408-00	Bracket	1
330	79-60431-01	Rectifier Assembly	1
340	34-60068-20	Screw, Captive Washer Head. M6 x 20MM L	5
360	34-60089-05	Nut, Lock, M5	4
370	34-60000-10	Screw, Machine Hex Head, M5 x 10 MM L	4
380	34-01152-25	Screw, Cap Hex Head M6 x 25MM L	2
385	34-01152-35	Screw, Cap Hex Head M6 x 35MM L	2
390	44-60163-01	Clamp	3
400	44-60150-01	Clip, Harness Retainer	2

2.2.2 Electrical Kit - 35X 12/115/1/60HZ			
Item	Part Number	Part Description	Quantity
		Electrical Kit - 35X 12/115/1/60HZ	
10	10-00440-02	Transformer, Monophase 590VA 12V (115V only)	1
20	12-00716-08	Logic Board - Includes:	1
20.1	12-00716-89	Fuse, 1A, Time Delay	1
40	12-00751-00	Sensor Assembly - Includes:	1
40.1	22-50078-02SV	Connector, 2 Wire (Mates with 22-50078-01SV)	1
50	22-61097-00	Harness, 35X Logic Board	1
55	22-61097-50	Harness, 35X Battery Supply	1
70	34-01234-01	Rivet, Blind, .188 Dia., .137-.354	1
80	34-01152-12	Screw, Cap, Hex Head, M6 x 12MML	4
90	34-01152-30	Screw, Cap, Hex Head, M6 x 30MML	1
100	34-60206-16	Screw, Hex Washer Head, M6 x 16MM	4
120	34-60089-06	Nut, Lock, M6	9
140	34-60096-06	Washer, Lock	4
150	34-60095-27	Washer, Lock, M6 x 14MM OD	4
160	34-60095-46	Washer, Lock, M6 x 18MM OD	4
170	44-60024-09	Sta Strap, 0-50MM Diameter Bundle	11
200	58-60324-02	Cap, Protective	2
210	62-60180-00	Decal, Ground	1
215	62-60226-00	Decal, Ground	1
220	62-60899-05	Decal, Box 115/1/60HZ	1
230	62-61677-00	Diagram, 35X, 1Ph 115V 60HZ	1
240	79-60428-01	Cab Command+E50	1
250	79-60515-02	Box, Assembly, Cover X300-05/350-0	1
260	91-60362-30	Control Box, 115V/1Ph/60HZ	1
280	44-60121-00	Bracket, Clamp - Tie Wrap	20
290	44-60024-25	Sta-Strap, 0-105MM Diameter Bundle	22
320	68-61408-00	Bracket	1
330	79-60431-01	Rectifier Assembly	1
340	34-60068-20	Screw, Captive Washer Head, M6 x 20MM L	5
360	34-60089-05	Nut, Lock, M5	4
370	34-60000-10	Screw, Machine, Hex Head, M5 x 10 MM L	4
380	34-01152-25	Screw, Cap, Hex Head, M6 x 25MM L	2
385	34-01152-35	Screw, Cap, Hex Head, M6 x 35MM L	2
390	44-60163-01	Clamp	3
400	44-60150-01	Clip, Harness Retainer	2

2.2.3 Electrical Kit - 208-230V / 1 / 60H			
Item	Part Number	Part Description	Quantity
		Electrical Kit - 208-230V / 1 / 60Hz	
	10-00440-00	Transformer, Monophase 560VA 12V	1
20	12-00716-08	Logic Board	1
20.1	12-00716-89	Fuse, 1A, Time Delay	1
40	12-00751-00	Sensor Assembly	1
40.1	22-50078-02SV	Connector, 2-Wire (Mates with 22-50078-01SV)	1
50	22-61097-00	Harness, 35X Logic Board	1
55	22-61097-50	Harness, 35X Battery Supply	1
70	34-01234-01	Rivet, Blind, .188 Diameter, .137-.354	1
80	34-01152-16	Screw, Cap, Hex Head, M6 x 16MML	4
90	34-01152-30	Screw, Cap, Hex Head, M6 x 30MML	1
100	34-60206-16	Screw, Hex Washer Head, M6 x 16MM	4
120	34-60089-06	Nut, Lock, M6	9
140	34-60096-06	Washer, Lock	4
150	34-60095-27	Washer, Lock, M6 x 14MM OD	4
160	34-60095-46	Washer, Lock, M6 x 18MM OD	4
170	44-60024-09	Sta Strap, 0-50MM Diameter Bundle	11
200	58-60324-02	Cap, Protective	2
210	62-60180-00	Decal, Ground	1
215	62-60226-00	Decal, Ground	1
220	62-60899-04	Decal, Box 230/1/60HZ	1
230	62-61677-01	Diagram, 35X, 1Ph 230V 60HZ	1
240	79-60428-01	Cab Command	1
250	79-60515-02	Box, Assy., Cover X300-05/350-0	1
260	91-60362-20	Control Box, 230V/1Ph/60HZ	1
280	44-60121-00	Bracket, Clamp - Tie Wrap	20
290	44-60024-25	Sta-Strap, 0-105MM Diameter Bundle	22
320	68-61408-00	Bracket	1
330	79-60431-01	Rectifier Assembly	1
340	34-60068-20	Screw, Captive Washer Head, M6 x 20MM L	5
360	34-60089-05	Nut, Lock, M5	4
370	34-60000-10	Screw, Machine Hex Head, M5 x 10 MM L	4
380	34-01152-25	Screw, Cap, Hex Head, M6 x 25MM L	2
385	34-01152-35	Screw, Cap, Hex Head, M6 x 35MM L	2
390	44-60163-01	Clamp	3
400	44-60150-01	Clip, Harness Retainer	2

2.3 Electrical Kit - Electrical Harness (Road Only)



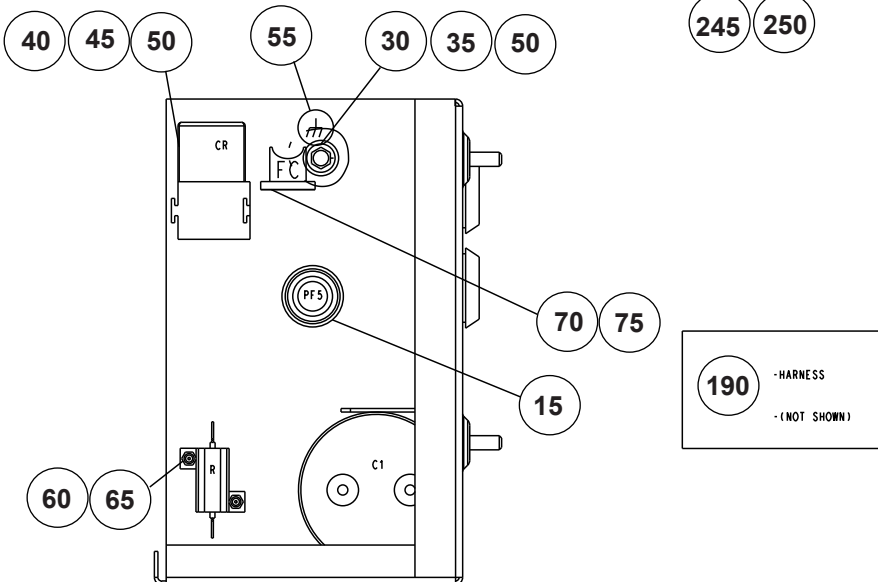
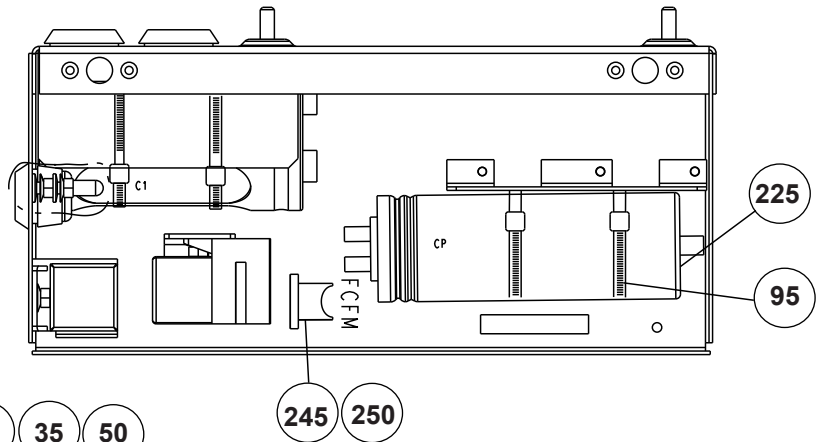
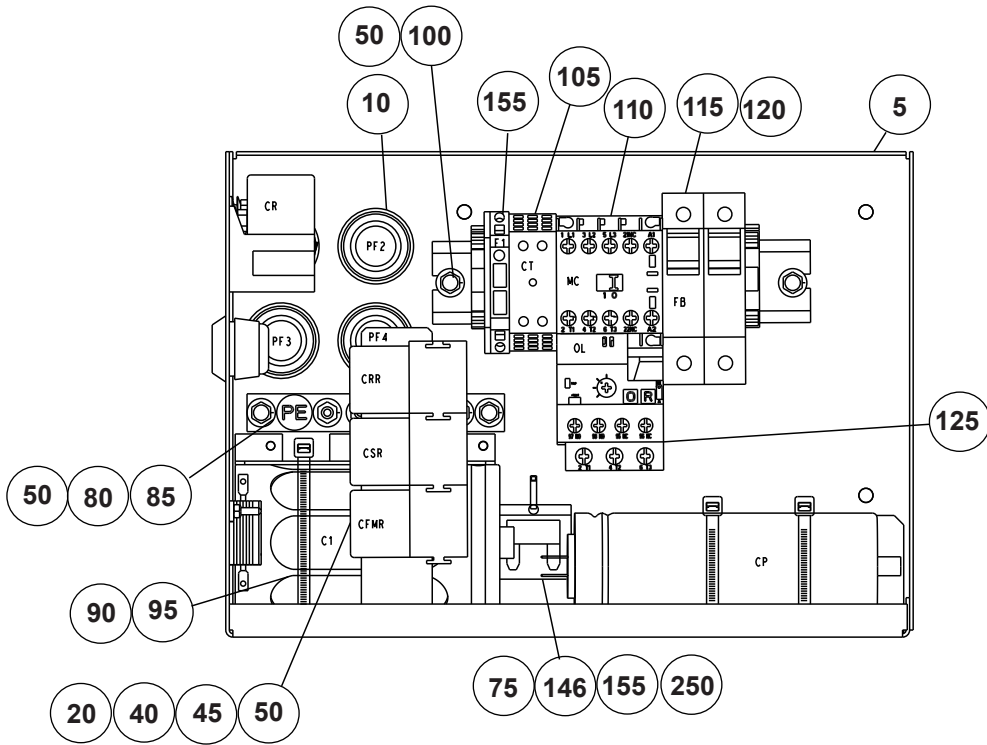
2.3 Electrical Kit - Electrical Harness (Road Only)

Item	Part Number	Part Description	Quantity
	22-61100-00	Harness, Electrical, Road Only - Includes:	
1	22-01613-02	Connector, 2-Wire, (Mates with 22-01613-00) EFM1, EFM2	2
2	22-01613-10	Connector, 4-Wire, (Mates with 22-01613-08) MHV, HGV1	1
3	22-60195-00	Fuse Holder, FCFM, FEFM	2
5	22-60275-12	Connector, 9-Wire (Mates with 22-60275-25), CN3	1
6	22-60300-10	Connector, 12-Wire (Mates with 22-60300-11), CN2	1
7	10-00302-00	Receptacle, Relay, CFMR	1
8	22-50098-01	Receptacle, Relay, EFMR	1
9	22-50078-01SV	Connector, 2-Wire (Mates with 22-50078-02SV) HP2, CFM	2
10	22-50078-02SV	Connector, 2-Wire (Mates with 22-50078-01SV) HP1	1
11	22-01585-00	Connector, 2-Wire, (Mates with 22-02392-00) LP	1
12	22-02392-00	Connector, 2-Wire, (Mates with 22-01585-00) INV	1
13	10-01021-00	Diode, 6 AMP, D1, D3	2
NS	22-60196-00	Terminals for Above Fuse Holders	4

2.4 Electrical Kit - Electrical Harness (Standby Only)		
Part Number	Part Description	Quantity
22-61097-00	Harness, Unit, Standby - Includes:	
22-01613-00	Connector, 2-Wire, (Mates With 22-01613-02) DWR1	1
22-01613-10	Connector, 4-Wire, (Mates With 22-01613-08) EFM1, EFM2	1
22-60536-00SK	Connector, 56-Wire, Mp1	2
22-01613-02	Connector, 2-Wire, (Mates With 22-01613-00) HGV1, MHV	1
22-01613-08	Connector, 4-Wire, (Mates With 22-01613-10) EFM2 CAP	2
22-50078-01SV	Connector, 2-Wire (Mates With 22-50078-02Sv) HP2, RAS1	1
22-50078-02SV	Connector, 2-Wire (Mates With 22-50078-01Sv) HP1, DTT1	2
22-02392-00	Connector, 2-Wire, (Mates With 22-01585-00) INV	2
22-01585-00	Connector, 2-Wire, (Mates With 22-02392-00) LP	1
22-50078-03SV	Connector, 8-Wire (Mates With 22-50078-04Sv) C8	1
22-50098-57	Connector, 4-Wire, (Mates With 22-50098-58) C4	1
22-61097-50	Harness, Battery Supply, Standby, Includes:	1
22-50098-49SK	Fuse Holder And Cover, Maxi Fuse Type, FS	1
22-02336-26	Fuse, 50A	1

There is no drawing for this kit

2.5 Electrical Kit - Control Box



2.5.1 Electrical Kit - Control Box 115/1/60			
Item	Part Number	Part Description	Quantity
		Electrical Kit - 230V / 3 / 50-60Hz	
	91-60362-30	Control Box Assembly, 115/1/60	
5	79-60900-01	Box Assembly, Empty	1
10	58-60298-03	Grommet, Tap	4
15	58-60298-02	Grommet	1
20	67-61073-00	Bracket	1
30	34-60096-05	Washer, Lock, M5	1
40	10-00302-00	Receptacle, Relay	4
45	10-00286-07	Relay, 12VDC	4
50	34-60089-05	Nut, Lock	17
55	62-60226-00	Decal, Ground	1
60	22-60184-00	Resistor, 68 Ohms	1
65	34-01184-03	Nut, Lock, M3, Nylock	2
75	22-02336-02	Fuse, 5A	2
80	68-61394-00	Strap	1
85	62-60180-01	Decal, Ground	1
90	10-60040-05	Capacitor	1
95	44-60024-25	Sta-Strap, 0-105MM Diameter Bundle	4
100	22-60605-01	Junction Block	1
105	10-00384-01	Timer, 30VDC	1
110	10-00503-30	Contactactor, 12VDC	1
115	22-60540-01	Fuseholder	1
120	22-60543-10	Fuse, 25A	2
125	10-00473-10	Overload, 7.2 to 10A	1
146	22-02336-29	Fuse, 50A	2
155	22-60102-01	Fuse, 8A,250V	2
165	62-60870-00	Decal, Voltage, 12VDC	1
170	62-60408-01	Decal, Voltage, 115/1/60	1
190	22-61095-20	Harness, 115V/1PH/60HZ	1
225	10-00470-01	Capacitor, 30mf	1
250	22-02336-00	Fuse, 30A	2

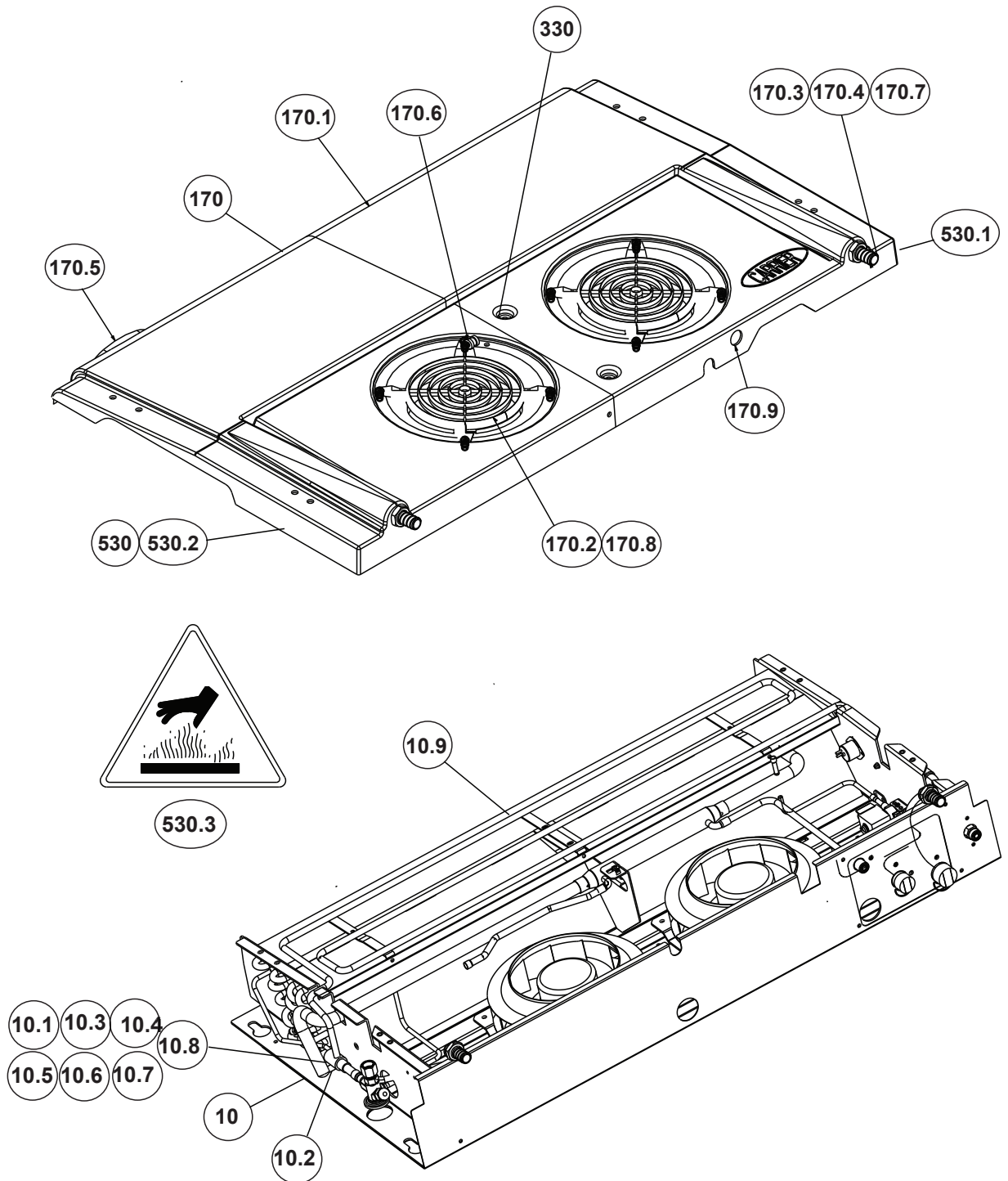
2.5.2 Electrical Kit - Control Box 230/1/60

Item	Part Number	Part Description	Quantity
	91-60362-20	Control Box Assembly, 230/1/60 - Includes:	
5	79-60900-00	Box Assembly, Empty	1
10	58-60298-03	Grommet, Tap	4
15	58-60298-02	Grommet	1
20	67-61073-00	Bracket	1
30	34-60096-05	Washer, Lock, M5	1
40	10-00302-00	Receptacle, Relay	4
45	10-00286-07	Relay, 12VDC	4
50	34-60089-05	Nut, Lock	17
55	62-60226-00	Decal, Ground	1
60	22-60184-00	Resistor, 68 Ohms	1
65	34-01184-03	Nut, Lock, M3, Nylock	2
70	22-60313-00	Fuseholder	1
75	22-02336-02	Fuse, 5A	2
80	68-61394-00	Strap	1
85	62-60180-01	Decal, Ground	1
90	10-60040-05	Capacitor	1
95	44-60024-25	Sta-Strap, 0-105MM Diameter Bundle	4
100	22-60605-01	Junction Block	1
105	10-00384-01	Timer, 30VDC	1
110	10-00471-00	Contact, 12VDC	1
115	22-60540-01	Fuseholder	1
120	22-60543-08	Fuse, 16A	2
125	10-00472-10	Overload, 7.2 to 10A	1
146	22-02336-29	Fuse, 50A	2
155	22-60102-09	Fuse, 5A, 600V	2
165	62-60870-00	Decal, Voltage, 12VDC	1
170	62-60408-13	Decal, Voltage, 230/1/60	1
190	22-61095-20	Harness	1
225	10-00470-06	Capacitor, 30mf	1
245	22-60313-01	Fuseholder	1
250	22-02336-00	Fuse. 30A	2

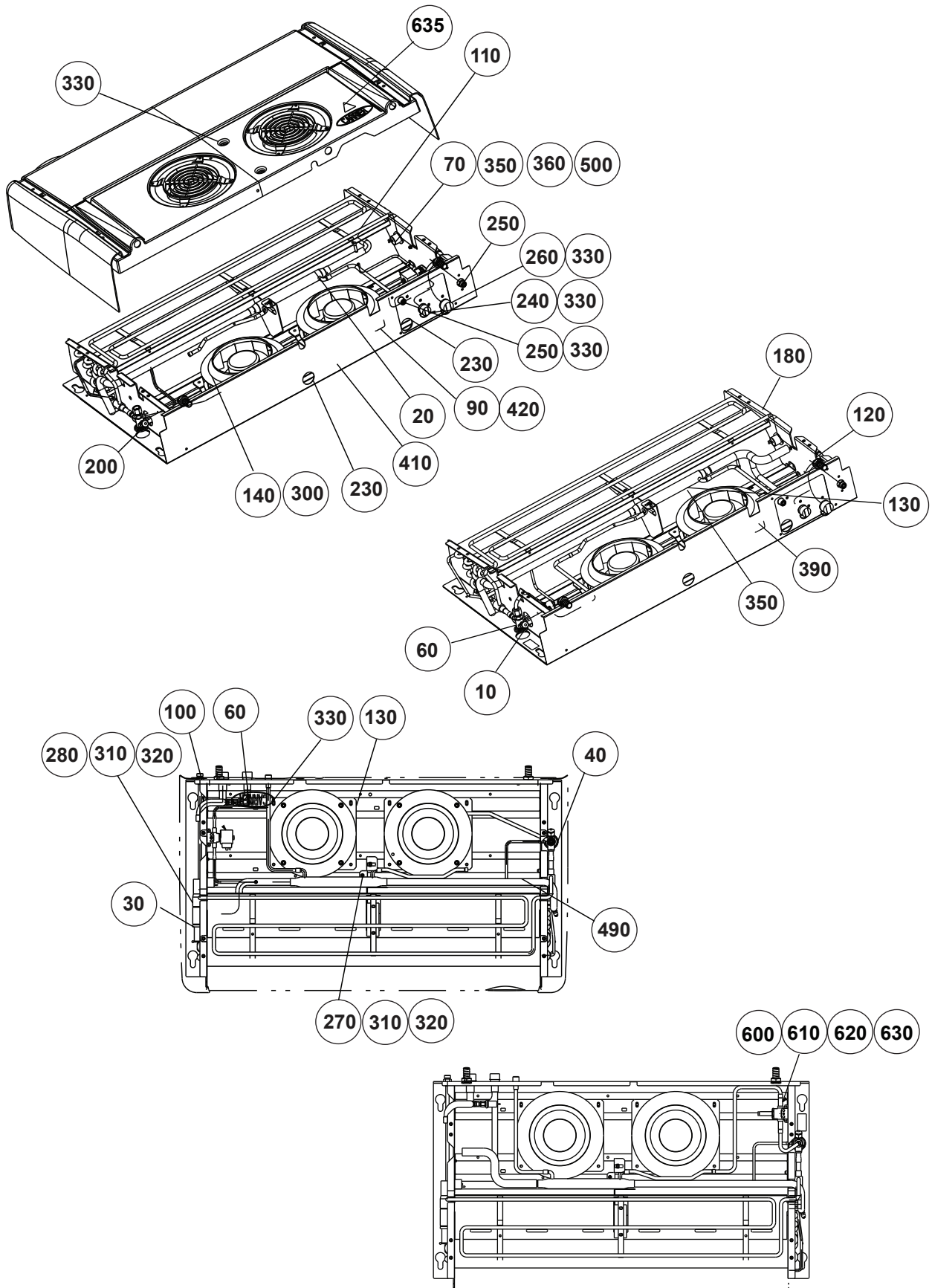
2.5.3 Electrical Kit - Control Box 230/3/60

Item	Part Number	Part Description	Quantity
	91-60362-40	Control Box Assembly, 230/3/60 - Includes:	
5	79-60900-00	Box Assembly, Empty	1
10	58-60298-03	Grommet, Tap	4
15	58-60298-02	Grommet	1
20	67-61073-00	Bracket	1
30	34-60096-05	Washer, Lock, M5	1
40	10-00302-00	Receptacle, Relay	4
45	10-00286-07	Relay, 12VDC	4
50	34-60089-05	Nut, Lock	17
55	62-60226-00	Decal, Ground	1
60	22-60184-00	Resistor, 68 Ohms	1
65	34-01184-03	Nut, Lock, M3, Nylock	2
70	22-60313-00	Fuseholder	1
75	22-02336-02	Fuse, 5A	2
80	68-61394-00	Strap	1
85	62-60180-01	Decal, Ground	1
90	10-60040-05	Capacitor	1
95	44-60024-25	Sta-Strap, 0-105MM Diameter Bundle	4
100	22-60605-00	Junction Block	1
110	10-00471-00	Contactora, 12VDC	1
115	22-60540-01	Fuseholder	1
120	22-60543-07	Fuse, 12A	2
125	10-00472-09	Overload, 5.5 to 7.5A	1
146	22-02336-29	Fuse, 50A	2
155	22-60102-09	Fuse, 5A, 600V	2
165	62-60870-00	Decal, Voltage, 12VDC	1
170	62-60408-16	Decal, Voltage, 230/3/60	1
180	62-60302-00	Decal, Voltage, 230V	1
245	22-60313-01	Fuseholder	1
250	22-02336-00	Fuse. 30A	2

3. Evaporator Kit



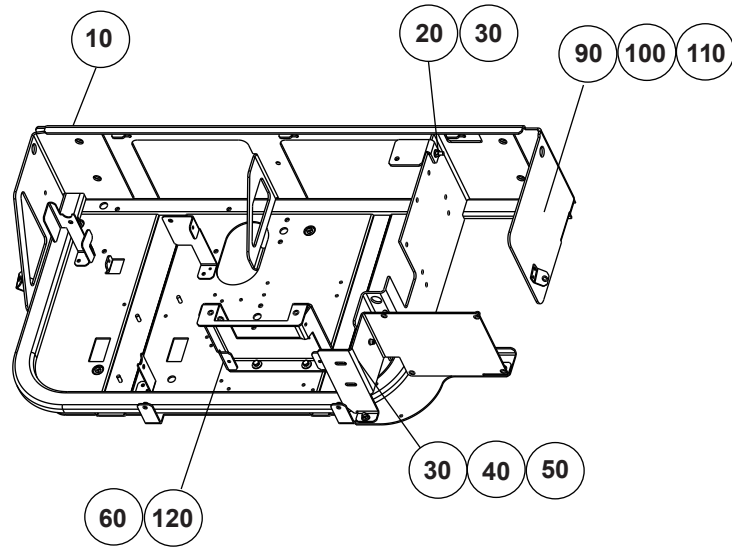
3. Evaporator Kit



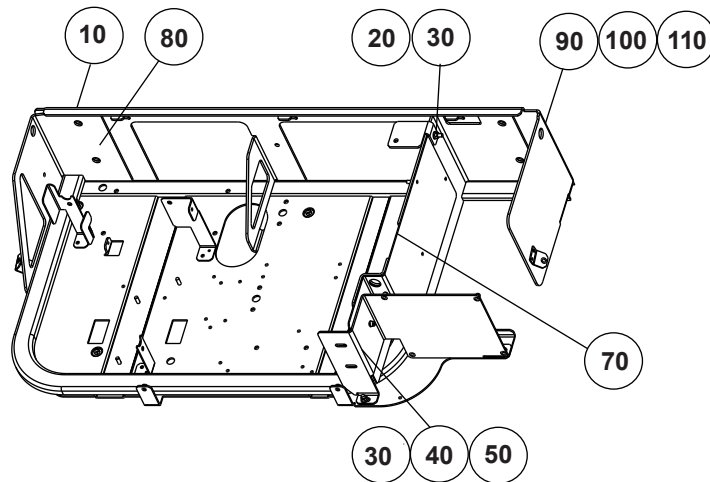
3. Evaporator Kit			
Item	Part Number	Part Description	Quantity
		Evaporator Kit - Includes:	
10	79-60434-01	Evaporator Assembly, MXS 1100 - Includes:	1
10.1	08-60134-02	Coil Assembly, Evaporator	1
10.2	68-60651-00	Bracket, TXV	1
10.3	34-01184-05	Nut, Lock, M5	1
10.4	44-60041-14	Clamp, 16 Diameter	1
10.5	34-60000-16	Screw, Machine, Hex Head, M5 X 16 MM Long	1
10.6	34-60095-25	Washer, Lock, M5	1
10.7	34-60095-27	Washer, Lock, M6	1
10.8	34-01152-20	Screw, Cap, Hex Head, M6 X 20 MM Long	1
10.9	81-60384-00	Tube Assembly, Defrost	1
20	08-60188-02	Heat Exchanger, 3/4 ODF	1
30	14-60000-03	Valve, Pressure Reg., CPR	1
40	14-60039-10	Valve, Expansion, 1/2 ODF X 3/8 Flare	1
60	12-60015-14	Pressure Control, LP	1
70	22-60810-01	Thermostat	1
90	81-60120-00	Tube Assembly, Liquid Line	1
100	81-60379-00	Tube, Copper	1
110	81-60386-00	Tube Assembly	1
120	77-60751-02	Valve Kit, 300 to 500 12VDC	1
130	68-60672-00	Bracket	2
140	54-00554-00	Fan and Motor, 12VDC, Variable Speed	2
170	79-60665-00	Skin Assembly, MXS 1100 - Includes:	1
170.1	58-60461-01	Skin	1
170.2	58-60485-00	Grille, Evaporator	2
170.3	58-60399-02	Fitting, Hose, 17 Diameter	2
170.4	58-60401-00	Nut, M20	2
170.5	62-60939-01	Decal, Carrier	1
170.6	44-60044-01	Clamp, 1/4 Cushion	1
170.7	42-60042-01	Gasket	2
170.8	34-60198-16	Screw, M5 X 16 MM Long	8
170.9	58-04842-03	Grommet	1
180	58-60756-03	Cap, Plastic, 3/4 ORFS	1
190	58-01284-00	Tube, Heat	1
200	58-60302-07	Grommet	1
210	58-60756-00	Cap, 3/8 ORFS	2
220	58-60756-02	Cap, 5/8 ORFS	1
230	58-60302-06	Grommet	2
240	42-00243-03	O-Ring, 0.62 ID X 0.75 OD	1
250	42-00243-09	O-Ring, 0.38 ID x 0.50 OD	2
260	42-00243-11	O-Ring, 0.75 ID x 0.88 OD	1
270	44-60044-12	Clamp, 1-1/8 Cushion	1
280	44-60044-15	Clamp, 31MM Cushion	1
300	34-60213-08	Screw, Cap Washer Head, M4 x 8MML	8
310	34-60000-16	Screw, Machine, Hex Head, M5 x 16MML	2
320	34-60095-25	Washer, Lock, M5 x 12MM OD	2
330	34-60206-16	Screw, Hex Washer Head, M6 x 16MML	20
350	22-50078-01	Connector, Male	1
360	22-50078-01A	Lock	1
370	58-60438-02	Gasket, Evaporator	1

3. Evaporator Kit			
Item	Part Number	Part Description	Quantity
380	58-60438-06	Gasket, Evaporator	2
390	58-60438-07	Gasket, Evaporator	1
410	62-60774-00	Decal, Evap Integra 20 S	1
420	62-60870-00	Decal, 12VDC	1
460	44-60024-05	Sta-Strap, 0-35 MM Diameter, Bundle	3
470	44-60024-09	Sta-Strap, 0-50 MM Diameter, Bundle	5
490	44-00293-22	Clamp, Stepless, Ear 1-5/16 Diameter	2
500	34-60218-12	Screw, M4 x 12MML	2
530	79-60740-00	Skin Assembly, Sides, 1100 - Includes:	1
530.1	58-60335-01	Skin, Evaporator, Right Side	1
530.2	58-60336-01	Skin, Evaporator, Left Side	1
530.3	62-61478-00	Decal, Warning, Burn Risk	1
600	22-61083-00	Harness, LV Valve	1
610	22-60734-00	Coil, 12 VDC	1
620	34-00774-08	Rivet, Blind, .157 Diameter	2
630	81-60802-02	Liquid Line, MXS 1100	1
635	62-61478-00	Decal, Warning, Burn Risk	1

4. Frame Kit



Standby Units Only



Road Units Only

Item	Part Number	Part Description	Quantity
10	86-61516-00	Frame Assembly	1
20	67-61069-00	Bracket	1
30	34-60089-06	Nut, Lock, M6	3
40	67-61067-00	Bracket	1
50	34-60068-20	Screw, Captive Washer Head, M6 x 20MML	1
60	67-61070-00	Bracket (Standby only)	1
70	67-61068-00	Bracket	1
80	62-61335-03	Decal	1
90	62-68152-00	Decal, CE	1
100	62-61774-00	Decal, Warning	1
120	34-60068-16	Screw, Captive Washer Head, M6 x 16MML (Standby only)	2

5. Mounting Kit			
5.1 Road Only (parts list only)			
Item	Part Number	Part Description	Quantity
	76-61179-06	Mounting Kit, Road Only - Includes:	
10	77-60851-06	Fuse Kit, DD50 Amp - Includes:	1
10.1	22-02336-10	Fuse, 1 Amp	1
10.2	22-02336-29	Fuse, 50 Amp	1
10.3	22-50098-49A	Fuse Holder, Cover	1
10.4	22-50098-49B	Fuse Holder, Fixing	1
10.5	22-50098-49C	Fuse Holder, Terminal 9-11 AWG	2
10.6	22-50098-49	Fuse Holder, Maxi Fuse	1
10.7	22-60313-02	Fuse Holder, ATO Type, W/Cap	1
10.8	34-00774-09	Rivet, Blind, .189 Diametermeter	1
20	22-60244-15	Terminal, Ring, Diameter 6 For 10MM	1
30	22-60244-16	Terminal, Ring, Diameter 8 For 10MM	2
40	22-01292-00	Butt Splice, Non-Insul. 18-22 AWG	1
41	22-60941-20	Heat Shrink, Atum 6 L = 50MM	1
50	22-60328-06	Terminal, 0.5 to 1.5MM	1
55	58-01284-03	Tube, Heat	1
60	34-01184-62	Nut, Nylock M12	4
70	34-60014-04	Bolt Head, M12 x 140L	4
80	34-60147-00	Screw, Cap Hex Head M12 x 45 Flange	4
95	40-60010-04	Plug, Female, ORS, 5/8 Tube	1
100	44-60061-00	Base, Ty-Wrap	10
110	48-60178-02	Spacer, 12 ID 40 OD	4
120	58-01284-02	Heat Shrink, 1.38 Long	4
130	58-60265-01	Tee, 5/16 x 5/16 x 5/16	1
135	58-60264-06	Tube, Water, 16.6MM ID x 6000MM	1
170	77-60980-03	Hose Kit, Xarios 350 - Includes:	1
170.1	58-60745-01	Hose, IDN 8	9
170.2	58-60745-02	Hose, IDN 10.7	8
170.3	58-60745-03	Hose, IDN 12.7	1
170.4	58-60745-04	Hose, IDN 16.1	6
170.5	40-60285-52	Fitting, Hose	1
170.6	40-60285-13	Fitting, Hose, 5/8 ORP STR-D16.1	1
170.7	40-60286-52	Fitting, Hose	1
170.8	40-60286-03	Fitting, Hose, 5/8 ORP 90 D12.7	1
170.9	40-60286-13	Fitting, Hose, 5/8 ORP 90 D16.1	1
170.1	40-60288-01	Fitting, Hose, 3/8 ORFS STR D8	1
170.11	40-60289-01	Fitting, Hose, 3/8 ORFS 90 D8	3
170.12	40-60289-02	Fitting, Hose, 1/2 ORFS 90 D10.7	1
170.13	40-60289-03	Fitting, Hose, 5/8 ORFS 90 D12.7	3
170.14	40-60289-04	Fitting, Hose, 3/4 ORFS 90 D16.1	1
170.15	44-60129-01	Clamp, Hose, IDN 8	6
170.16	44-60129-02	Clamp, Hose, IDN 10.7	4
170.17	44-60129-03	Clamp, Hose, IDN 12.7	2
170.18	44-60129-04	Clamp, Hose, IDN 16.1	4
170.19	40-60291-50	Fitting	1
170.2	40-60291-22	Valve, Service, IDN10.7 + HP Valve	1
170.22	40-60289-10	Fitting, Hose, 1/4 ORFS 90 D8	1
170.23	42-00243-10	O-Ring, 0.31 ID x 0.44 OD	1
190	76-61093-02	Gasket Package, Direct Drive - Includes:	1

5. Mounting Kit**5.1 Road Only (parts list only) (continued)**

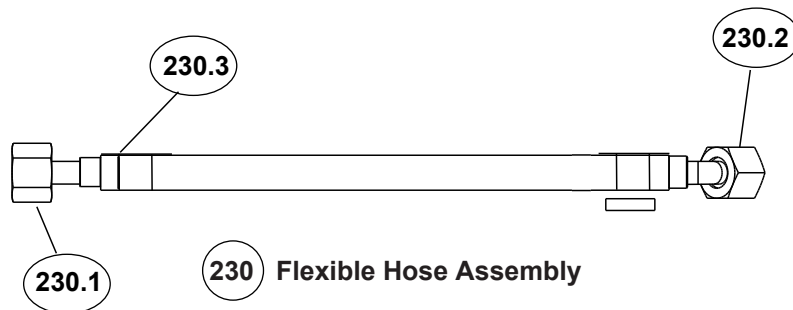
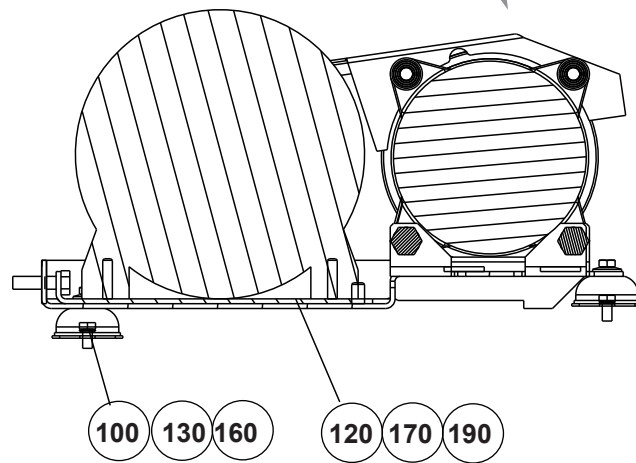
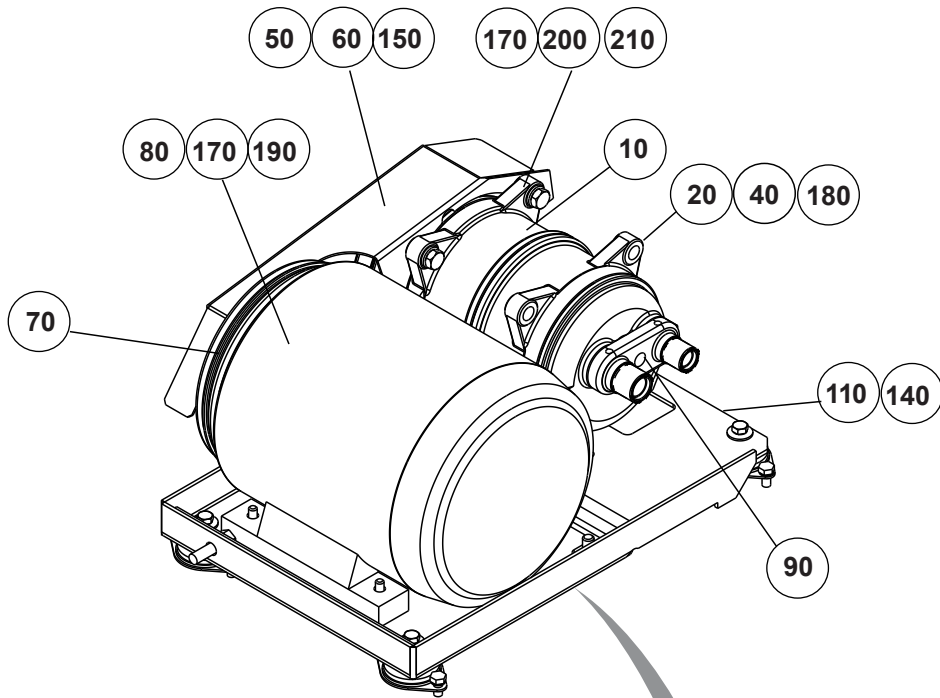
Item	Part Number	Part Description	Quantity
190.1	42-00243-10	O-Ring, 0.31 ID x 0.44 OD	4
190.2	42-00243-09	O-Ring, 0.38 ID x 0.50 OD	9
190.3	42-00243-04	O-Ring, 0.50 ID x 0.62 OD	10
190.4	42-00243-03	O-Ring, 0.62 ID x 0.75 OD	7
190.5	42-00243-11	O-Ring, 0.75 ID x 0.88 OD	1
200	64-60065-10	Wrapper, 3500X300	1
210	46-00055-01	Bottle, Oil Bottle 200ML	1
400	40-60010-01	Plug, Female, ORS, 5/8 Tube	1
405	42-00183-40	Trim, Flexible, Fine Pebble Black	1

5. Mounting Kit			
5.2 Mounting Kit (parts list only)			
Item	Part Number	Part Description	Quantity
		Mounting Kit - Includes:	
10	77-60851-06	Fuse Kit, DD50 Amp - Includes:	1
10.1	22-02336-10	Fuse, 1 Amp	1
10.2	22-02336-29	Fuse, 50 Amp	1
10.3	22-50098-49A	Fuse Holder, cover	1
10.4	22-50098-49B	Fuse Holder, Fixing	1
10.5	22-50098-49C	Fuse Holder, Terminal 9-11 AWG	2
10.6	22-50098-49	Fuse Holder, Maxi Fuse	1
10.7	22-60313-02	Fuse Holder, ATO Type, with Cap	1
10.8	34-00774-09	Rivet, Blind, .189 Diameter.	1
20	22-60244-15	Terminal, Ring, Diameter 6 For 10MM	1
30	22-60244-16	Terminal, Ring, Diameter 8 For 10MM	2
40	22-01292-00	Butt Splice, Non-Insulated, 18-22 AWG	1
41	22-60941-20	Heat Shrink, Atum 6 L = 50MM	1
50	22-60328-06	Terminal, 0.5 to 1.5MM	1
55	58-01284-03	Tube, Heat	1
60	34-01184-62	Nut, Nylock M12	4
70	34-60014-04	Bolt Head, M12 x 140L	4
80	34-60147-00	Screw, Cap Hex Head, M12 x 45 Flange	4
100	44-60061-00	Base, Ty-Wrap	10
110	48-60178-02	Spacer, 12 ID 40 OD	4
120	58-01284-02	Heat Shrink, 1.38 Long	4
130	58-60265-01	Tee, 5/16 x 5/16 x 5/16	1
135	58-60264-06	Tube, Water, 16.6MM ID x 6000MM	1
170	77-60980-03	Hose Kit, Xarios 350 - Includes:	1
170.1	58-60745-01	Hose, IDN 8	9
170.2	58-60745-02	Hose, IDN 10.7	8
170.3	58-60745-03	Hose, IDN 12.7	1
170.4	58-60745-04	Hose, IDN 16.1	6
170.5	40-60285-52	Fitting, Hose	1
170.6	40-60285-13	Fitting, Hose, 5/8 ORP STR-D16.1	1
170.7	40-60286-52	Fitting, Hose	1
170.8	40-60286-03	Fitting, Hose, 5/8 ORP 90 D12.7	1
170.9	40-60286-13	Fitting, Hose, 5/8 ORP 90 D16.1	1
170.1	40-60288-01	Fitting, Hose, 3/8 ORFS STR D8	1
170.11	40-60289-01	Fitting, Hose, 3/8 ORFS 90 D8	3
170.12	40-60289-02	Fitting, Hose, 1/2 ORFS 90 D10.7	1
170.13	40-60289-03	Fitting, Hose, 5/8 ORFS 90 D12.7	3
170.14	40-60289-04	Fitting, Hose, 3/4 ORFS 90 D16.1	1
170.15	44-60129-01	Clamp, Hose, IDN 8	6
170.16	44-60129-02	Clamp, Hose, IDN 10.7	4
170.17	44-60129-03	Clamp, Hose, IDN 12.7	2
170.18	44-60129-04	Clamp, Hose, IDN 16.1	4
170.19	40-60291-50	Fitting	1
170.2	40-60291-22	Valve, Service, IDN10.7 + HP Valve	1
170.22	40-60289-10	Fitting, Hose, 1/4 ORFS 90 D8	1
170.23	42-00243-10	O-Ring, 0.31 ID x 0.44 OD	1
180	77-60850-11	Power Plug Kit, DD 208/1/60HZ NAO - Includes:	1
180.2	22-60694-01	Plug, 30A 1PH	1

5. Mounting Kit**5.1 Road Only (parts list only)**

Item	Part Number	Part Description	Quantity
180.3	22-60695-01	Receptacle Assembly, 30A 1PH	1
180.6	62-03957-01	Decal, High Voltage	1
180.7	62-60280-00	Decal, Standby Safety	1
180.1	62-60408-08	Decal, Voltage, 230/1/60	1
180.12	62-60408-10	Decal, Voltage, 208/1/60	1
180.13	58-60604-01	Box, Receptacle, Integra 40S/50S NAO	1
180.14	58-60605-00	Connector, Electric, Integra 40S/50S NAO	1
180.15	58-60606-00	Cover, Integra 40S/50S	1
180.16	58-60684-00	Wire Loom, ID 6 with Slit Lg 3M	1
190	76-61093-02	Gasket Package, Direct Drive - Includes:	1
190.1	42-00243-10	O-Ring, 0.31 ID x 0.44 OD	4
190.2	42-00243-09	O-Ring, 0.38 ID x 0.50 OD	9
190.3	42-00243-04	O-Ring, 0.50 ID x 0.62 OD	10
190.4	42-00243-03	O-Ring, 0.62 ID x 0.75 OD	7
190.5	42-00243-11	O-Ring, 0.75 ID x 0.88 OD	1
200	64-60065-07	Wrapper, Vector	1
210	46-00055-01	Bottle, Oil Bottle 200ML	1

6. Motor/Compressor Kit - 230/3/60 and 230/1/60 Units



6. Motor/Compressor**6.1 208-230V/1/60HZ**

Item	Part Number	Part Description	Quantity
		Motor/Compressor, 208-230V/1/60HZ - Includes:	
10	18-10157-02	Compressor, 12 VDC/2A Dia 135	1
20	34-60080-130	Screw, Hex Head, 10 x 130	2
40	48-60142-00	Spacer	2
50	48-60145-54	Spacer	1
60	50-60107-02	Pulley	1
70	50-60288-36	V-Belt, A Cross Section	1
80	54-60028-12	Motor AC, 3PH 230-400V 1.5Kw	1
100	73-60022-01	Shockmount, 60 Shore	4
110	86-61039-00	Power Tray	1
120	86-60784-00	Bracket Assembly	1
130	34-01152-12	Screw, Cap Hex Head, M6 x 12MML	8
140	34-60068-20	Screw, Captive Washer Head, M6 x 20MML	4
150	34-00876-25	Screw, Cap Hex Head, M6 x 12MML	1
160	34-60084-06	Washer, Lock, M6 x 10MM OD	8
170	34-60085-08	Washer, M8 ID, 16MM OD	9
180	34-00945-10	Washer, Lock, 10 WL	2
190	34-00946-58	Nut, Hex, M8-1.25	7
200	67-61071-00	Belt Guard	1
210	34-01153-30	Scew, Cap Hex Head, M8 x 30MML	2
220	58-60756-01	Cap, 1/2" ORFS	1
230	58-60775-04	Hose Assembly, 35X STB	1
230.1	40-60288-02	Fitting, Female, ORS, Straight, 10.7 IDN	1
230.2	40-60287-02	Fitting, Female, ORS, 45 Degree, 10.7 IDN	1
230.3	44-60129-02	Clamp, Double Click, 10.7 IDN	2

6. Motor/Compressor**6.2 230/400V/3/50/60H**

Item	Part Number	Part Description	Quantity
		Motor/Compressor, 230/400V/3/50/60Hz	
10	08-60252-00	Condenser, Pulsor - Includes:	1
10.1	40-60159-01	Valve Assembly, Schrader - Includes:	1
10.1.1	40-60087-00	Valve, Schrader	1
10.2	40-60004-00	Cap, Schrader	1
20	65-60059-01	Oil Separator, Xarios 300 - Includes:	1
20.1	40-60010-01	Plug, 1/3"	1
30	82-60331-00	Tube, Copper, 1/2"	1
40	34-60068-20	Screw, Captive Washer, M6 X 20MM Lg.	6
50	81-70003-01	Tube Assembly, Discharge, See Section 3.1	1
60	65-60081-50	Filter Drier, 1.56 Litre - Includes:	1
60.1	65-60081-10	Receiver/Filter Drier	1
60.2	65-60081-30	Gasket, Shut Off Valve	1
61	65-60081-20	Valve, Shut Off	1
70	14-00332-00	Valve, Solenoid, 1/2 ODF - 1/2 ODM - Includes:	1
70.1	14-00332-10	Repair Kit, Valve	1
80	54-00702-01	Fan Motor, 12 VDC - Includes:	1
80.1	22-50078-01SV	Connector Kit, 2-Pin	1
90	68-70647-01	Bracket, Drier	1
110	58-60772-00	Grille, Condenser	1
120	34-60089-06	Nut, Lock, M6	3
130	42-00243-09	O-Ring, 0.38 ID X 0.50 OD	3
140	42-00243-04	O-Ring, 0.50 ID X 0.62 OD	5
150	12-60032-02	Switch, Pressure, 465/360 PSIG - Includes:	1
150.1	22-50078-01SV	Connector Kit, 2-Pin	1
160	12-60032-03	Switch - Includes:	1
160.1	22-50078-02SV	Connector Kit, 2-Pin	1
170	22-60734-00	Coil, 12 VDC	1
180	14-60062-13	Valve, Solenoid 3/8 ORFS (Road only) - Includes:	1
180.1	14-60062-10	Repair Kit, Valve	1
190	44-60024-05	Sta, Strap, 0 - 35 MM Diameter Bundle	1
210	62-00459-01	Tag, Caution	1
220	22-60590-00	Coil, Multi-Temp	1
230	34-60198-25	Screw, M5 X 25MM	4
240	34-60089-05	Nut, Lock, M5	4
250	14-00286-02	Check Valve, 12 M	1
270	58-60756-00	Cap, 3/8" ORFS	2
280	62-60948-01	Tag, Warning	1
290	40-60289-01	Fitting, Hose, 3/8 ORFS - (Road only)	1
320	42-60092-31	Foam, 180MM X 20MM X 19MM	1

6. Motor/Compressor**6.3 115V/1/60H**

Item	Part Number	Part Description	Quantity
		Motor/Compressor, 115V/1/60Hz	
10	18-10157-02	Compressor, 12VDC/2A Diameter 135	1
20	34-60080-130	Screw, Hex Head, M10 X 130MM Long	2
40	48-60142-00	Spacer, Steel Tube, 83.3 MM Long	2
50	48-60145-54	Spacer, 4MM Thick	1
60	50-60107-02	Pulley	1
70	50-60288-36	V-Belt, "A" Cross Section, 25.77 " Long	1
80	54-60028-13	Motor, AC, 1PH 115 60HZ 1.5KW, Includes	1
NS	22-01613-23	Connector, 12-Wire (Mates with 22-01613-25)	1
NS	04-60008-27	Bearing, Front	1
NS	04-60008-22	Bearing, Rear	1
NS	54-60028-13	Key, 8 X 7 X 12MM	1
100	73-60022-01	Shockmout	4
110	86-61039-00	Power Tray, Xarios 300/350	1
120	86-60784-00	Bracket Assembly, Integra 30S	1
130	34-01152-12	Screw, Cap, Hex Head, M6 X 12MM Long	8
140	34-60068-20	Screw, M6 X 20MM Long	4
150	34-00876-25	Screw, Cap, Hex Head, M8 X 25MM Long	1
160	34-60084-06	Washer, Lock, M6	8
170	34-60085-08	Washer, Conical, 8.4 MM ID	9
180	34-00945-10	Washer, Lock, M10	2
190	34-00946-58	Nut, Hex, M8	7
200	67-61071-00	Guard, Belt	1
210	34-01153-30	Screw, Cap, Hex Head, M8 X 30MM	2
220	58-60756-01	Cap, 1/2 ORFS	1
230	58-60775-04	Hose Assembly, 35X STB	1
230.1	40-60288-02	Fitting, Female, ORS, Straight, 10.7 IDN	1
230.2	40-60287-02	Fitting, Female, ORS, 45 Degree, 10.7 IDN	1
230.3	44-60129-02	Clamp, Double Click, 10.7 IDN	2

7. Service Tools



2 Lifting Device



4 Connector Removal Tool Set



5 Cab Command Cable Diagnostic Tool



6.3 6.2 6.1

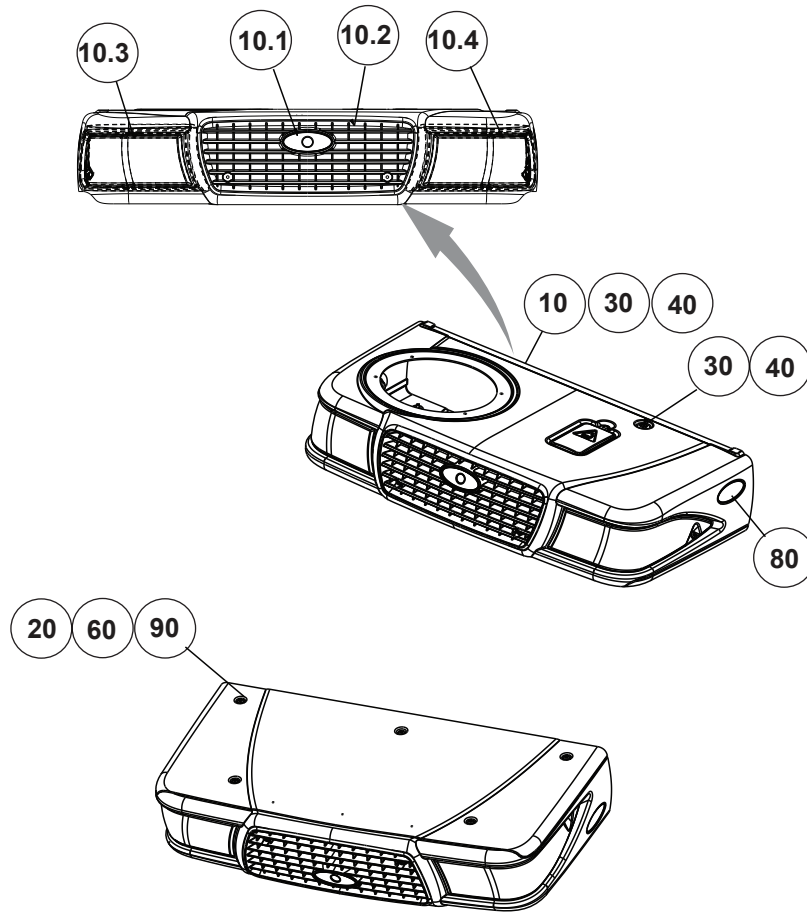
6 Hose Cutter, Crimper, Expander Kit



10 Fitting Insertion Tool (for Black Carrier Hose)

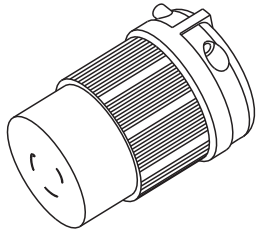
7. Service Tools			
Item	Part Number	Part Description	Quantity
2	07-60049-00	Lifting Device	1
4	07-60090-00	Connector Remover Tool Set for 56-Wire Connector	1
5	07-00440-00	Cab Command Cable Diagnostic Tool	1
6	07-60117-00	Hose Cutter, Crimper, Expander Kit - Includes:	1
6.1	07-60117-10	Pliers, Crimping, Hose Clamp	1
6.2	07-60117-60	Expander	1
6.3	07-60117-80	Blades, Hose Cutting	1
10	07-60133-00	Tool, Fitting Insertion(for Black Carrier Hose) - Includes:	1
NS	07-60133-10	Jaws Set, Insertion Tool	1
NS	07-60089-00	Set of Crimping Pliers for 56-Wire Connector	1
NS	76-61011-00	Download Box	1

8. Skins/Decal Kit

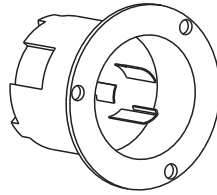


Item	Part Number	Part Description	Quantity
		Skins Kit - Includes:	
10	79-60899-00	Skin Assembly - Includes:	1
10.1	62-60390-01	Decal, Carrier	1
10.2	58-68123-00	Grille, Front	1
10.3	68-68251-00	Grille, Curbside	1
10.4	68-68252-00	Grill, Roadside	1
20	58-68121-00	Skin, Bottom Cover	1
30	34-60044-03	Screw, M6 X 20MM	5
40	58-60306-06	Washer, Nylon, M6	5
60	58-60784-00	Washer, Nylon	5
80	62-04069-03	Decal, Integra 35X	2
90	34-60044-05	Screw, Torx Head, M6 x 14MM	5
NS	42-01203-13	Insulation (Standby only)	1

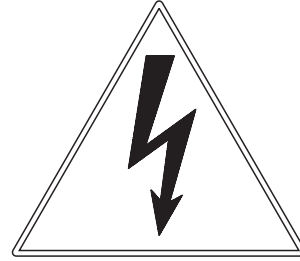
9. Standby Power Plug Kit



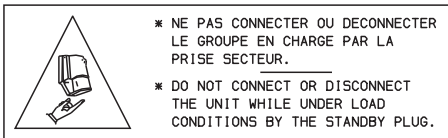
20 Power Plug (230V units)



30 Receptacle Assembly (230V units)



60 High Voltage Warning Decal



70 Standby Safety Decal



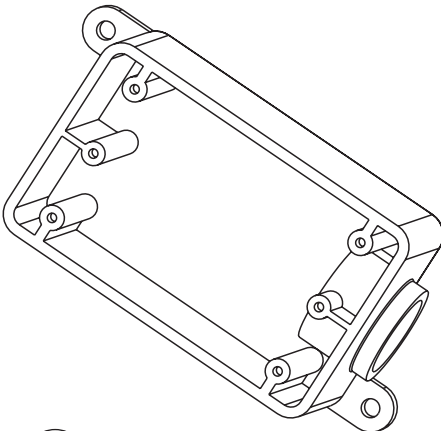
80 Voltage Decal



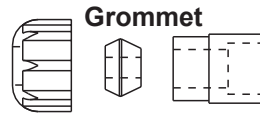
90 Voltage Decal



115 Voltage Decal

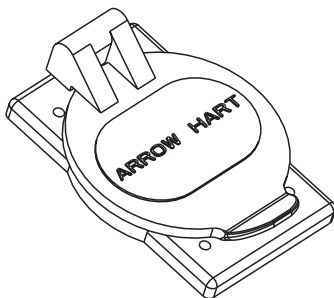


130 Power Receptacle Box

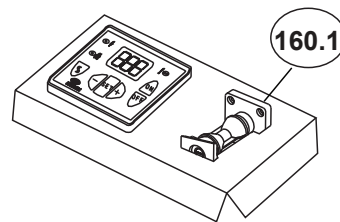


Nut Body

140 Cable Seal Assembly



150 Receptacle Box Cover Assembly



160 Cab Command (Road Only Units)



170 Cab Command Cable Assembly (230V units)

9. Standby Power Plug Kit			
Item	Part Number	Part Description	Quantity
	77-60850-12	Power Plug Kit, 115/1/60 - Includes:	
	77-60850-11	Power Plug Kit, 230/1/60 - Includes:	
	77-60850-10	Power Plug Kit, 230/3/60 - Includes:	
20	22-60694-01	Plug, Power, 30A, 230/1/60 Units	1
	22-60696-00	Plug, Power, 20A, 230/3/60 Units	
30	22-60695-01	Receptacle Assembly, 30A, 230/1/60 Units	1
	22-60697-00	Receptacle Assembly, 20A, 230/3/60 Units	
60	62-03957-01	Decal, Warning, High Voltage	1
70	62-60280-00	Decal, Standby Safety	1
80	62-60408-01	Decal, Voltage, 115/1/60	1
90	62-60408-08	Decal, Voltage, 230/1/60	1
115	62-60408-11	Decal, Voltage, 230/3/6	1
130	58-60604-01	Box, Power Receptacle	1
140	58-60605-00	Cable Seal Assembly (Includes Body, Grommet, Nut)	1
150	58-60606-00	Cover Assembly, Receptacle Box	1
160	58-60684-00	Wire Loom	1
	79-60409-00	Cab Command, Road Only Units - Includes:	
	79-60428-00	Cab Command, Standby Units - Includes:	
160.1	22-60166-00	Bracket, Cab Command	1
170	22-60551-04	Cable Assembly, Cab Command, Standby, 10M	1
	22-60168-05	Cable, Cab Command, Road Only, 10M	

10. Field Installed Options

10.1 Water Drain Heater Kit (parts list only)

Item Number	Part Number	Part Description	Quantity
	76-60891-00	Heater, Water Drain, 12V - Includes:	
10	24-60033-00	Heater, Electric 2X52W 12VDC	1
20	44-60024-09	Sta-Strap, 0-50MM Diameter Bundle	1
40	34-60142-00	Clip	10
70	44-60024-05	Sta-Strap, 0-35MM Diameter Bundle	2
80	34-60142-01	Clip, Dia. 6.5 to 7	6

10.2 Extension Kit, Remote Evaporator - 3M (9.8 feet) (parts list only)

Item Number	Part Number	Part Description	Quantity
	76-61042-02	Extension Kit, Remote Evaporator, 3M (9.8 FT)	
10	77-60613-02	Installation Kit, Xarios 350 Split 3M - Includes	1
10.1	58-60115-02	Hose, Module 06	8
10.2	58-60115-04	Hose, Module 10	4
10.3	58-60115-05	Hose, Module 12	3
10.4	40-60086-05	Fitting, Module 12	1
10.5	34-60019-05	Clamp, Module 12	2
20	22-60571-21	Harness Assembly, Xarios 350 Split 3M	1
30	44-60024-25	Sta-Strap, 0-105MM Diameter Bundle	5
40	44-60061-00	Base, Tie-Wrap	5

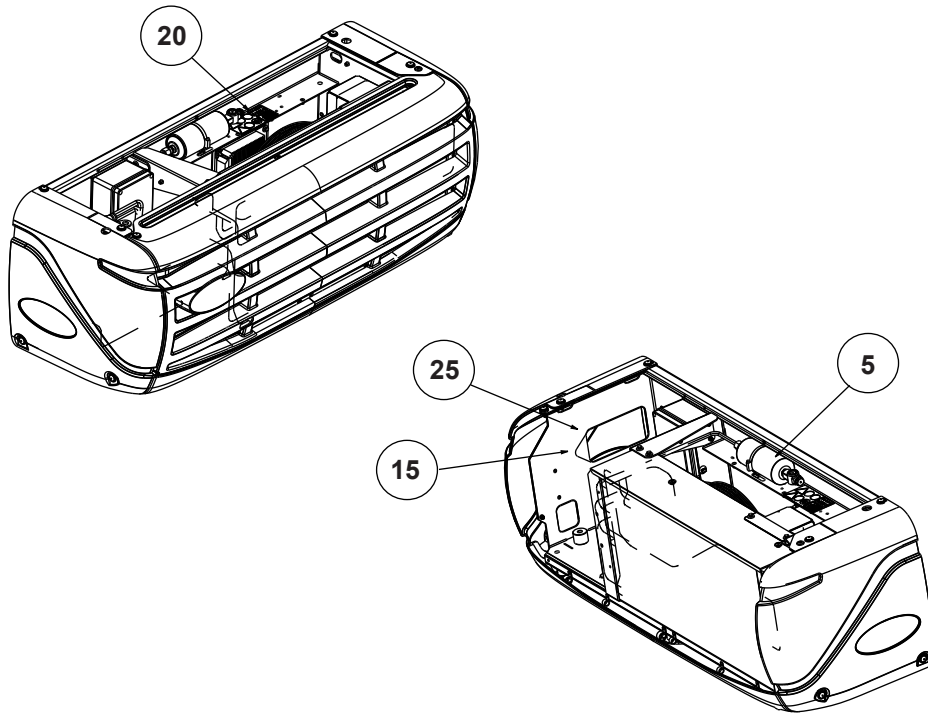
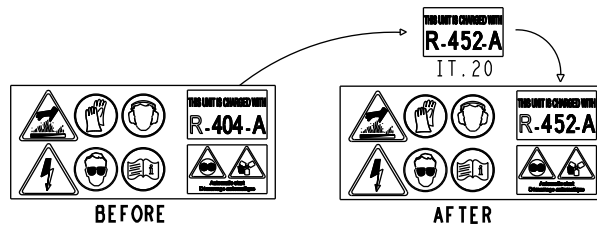
10.3 Extension Kit, Remote Evaporator - 6M (19.7 feet) (parts list only)

Item Number	Part Number	Part Description	Quantity
	76-61042-03	Extension Kit, Remote Evaporator, 6M (19.7 FT)	
10	77-60613-03	Install Kit, Xarios 350 Split 6M - Includes:	1
10.1	58-60115-02	Hose, Module 6	14
10.2	58-60115-04	Hose, Module 10	7
10.3	58-60115-05	Hose, Module 12	6
10.4	40-60086-05	Fitting, Module 12	1
10.5	34-60019-05	Clamp, Module 12	2
20	22-60571-22	Harness Assembly, Xarios 350 Split 6M	1
30	44-60024-25	Sta-Strap, 0-105MM Diameter Bundle	10
40	44-60061-00	Base, Tie-Wrap	10


10. Field Installed Options			
10.4 Extension Kit, Remote Evaporator - 3M (9.8 feet) (parts only)			
Item Number	Part Number	Part Description	Quantity
	76-61042-02	Extension Kit, Remote Evaporator, 3M (9.8 FT)	
10	77-60613-02	Installation Kit, Xarios 350 Split 3M - Includes	1
10.1	58-60115-02	Hose, Module 06	8
10.2	58-60115-04	Hose, Module 10	4
10.3	58-60115-05	Hose, Module 12	3
10.4	40-60086-05	Fitting, Module 12	1
10.5	34-60019-05	Clamp, Module 12	2
20	22-60571-21	Harness Assembly, Xarios 350 Split 3M	1
30	44-60024-25	Sta-Strap, 0-105MM Dia. Bundle	5
40	44-60061-00	Base, Tie-Wrap	5

10.5 Extension Kit, Remote Evaporator - 6M (19.7 feet) (parts list only)			
Item Number	Part Number	Part Description	Quantity
	76-61042-03	Extension Kit, Remote Evaporator, 6M (19.7 FT)	
10	77-60613-03	Install Kit, Xarios 350 Split 6M - Includes:	1
10.1	58-60115-02	Hose, Module 6	14
10.2	58-60115-04	Hose, Module 10	7
10.3	58-60115-05	Hose, Module 12	6
10.4	40-60086-05	Fitting, Module 12	1
10.5	34-60019-05	Clamp, Module 12	2
20	22-60571-22	Harness Assembly, Xarios 350 Split 6M	1
30	44-60024-25	Sta-Strap, 0-105MM Diameter Bundle	10
40	44-60061-00	Base, Tie-Wrap	10

10.6 Conversion Kit, Xarios 150 to 600MT



Item	Part Number	Part Description	Quantity
	76-61539-00	Conversion Kit, 150 to 600MT	
	98-60747-00	Instruction, 150 to 600MT - Includes:	1
5	14-00326-04	Filter Drier, 3/8 ORS Lg 148	1
10	62-60063-02	Decal, R-452a	1
15	62-11939-00	Decal, R-404a to R-452a Conversion	1
20	62-60063-04	Decal, R-452a	1
25	62-70001-00	Decal, GWP R-452a	1
NS	42-00243-09	O-Ring, 0.38 ID x 0.50 OD	3

 **WARNING:** Breathing diesel engine exhaust exposes you to chemicals known to the State of California to cause cancer and birth defects or other reproductive harm.

- Always start and operate engine in a well-ventilated area.
- If in an enclosed area, vent the exhaust to the outside.
- Do not modify or tamper with the exhaust system.
- Do not idle the engine except as necessary.

For more information, go to www.P65warnings.ca.gov/diesel



North America
Carrier Transicold
700 Olympic Drive
Athens, GA 30601 USA

Central America and Mexico
Carrier Transicold
Ejercito Nacional 253-A Piso 5
Colonia Anahuac 11320 Mexico D.F.