

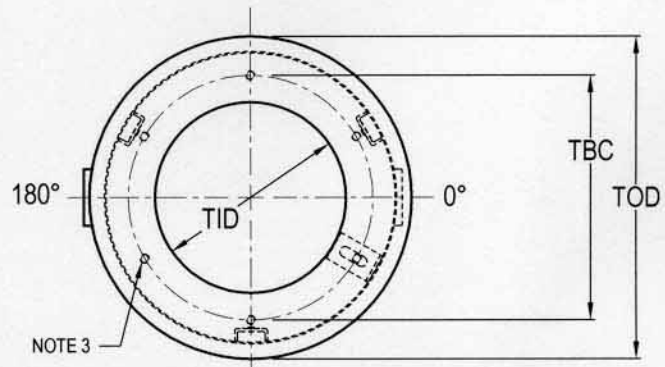


# ADJUSTABLE LIGHT BASE

## L 867 Non Load Bearing



AC20242Q2003E1



1. Approved and Certified to FAA Advisory Circular AC150/5345-42 L867 class 1  
Size: B=12", D=16", E=24"

2. Base galvanized to ASTM A386

3. (6) 3/8"-16 equally spaced, tapped holes

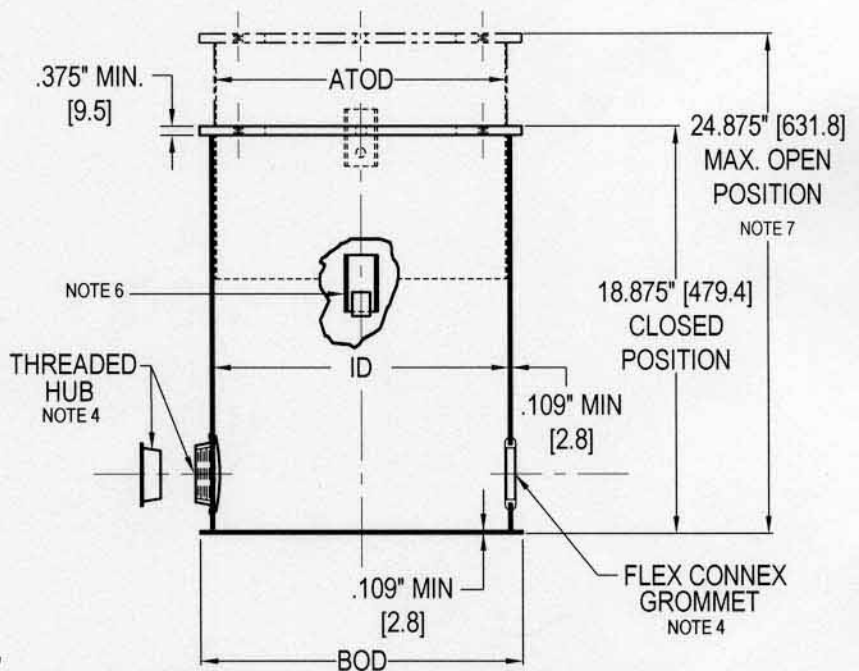
4. Conduit Openings (minimum 2) are:  
Located 180° apart and 2.5" up from bottom  
Various sizes and locations are available  
Protective plug installed in threaded hubs  
Flex Connex Grommets are shipped separately

5. Ground Straps are available:  
Internal, External, or Both

6. (3) 5/16" Tinnerman Nuts attached to brackets are used to set elevation of top portion

7. Detail has a standard 6 3/8" high adjustable top, also available with a 10 3/8" high adjustable top

8. To designate variations to the base, see ordering worksheet (OVER)



TYPE	ID	TBC	TID	TOD & BOD	ATOD
<b>AC2024</b>	12.375"	10.25"	8"	13.5"	12.25"
12" L867B	[314.3]	[260.4]	[203.2]	[342.9]	[311.2]
<b>AC6024</b>	16.25"	14.25"	12.375"	17.375"	16.125"
16" L867D	[412.8]	[362]	[314.3]	[441.3]	[409.6]
<b>AC6034</b>	22.5"	21.5"	20"	24"	22.375"
24" L867E	[571.5]	[546.1]	[508]	[609.6]	[568.3]

[ ] = dimensions in metrics; mm