



## **INDUSTRIAL SHORT**

**GC-S SERIES, 35kW - 50kW**

**SINGLE AND THREE PHASE**

**4 POLE, 60Hz, 1800 RPM**



- **SHORT LENGTH FOR LIMITED SPACE APPLICATION**
- **CONTINUOUS DUTY RATINGS**
- **35 TO 50 kW, BRUSHLESS SYNCHRONOUS WITH EXCITER AND AVR, VOLTAGE REGULATION  $\pm 1\%$**
- **OPTIONAL AUXILIARY WINDING - SHORT CIRCUIT CURRENT 300% OF RATING FOR 10 SECONDS**
- **ROBUST WELDED STEEL HOUSING**
- **CAST IRON BEARING COVE**
- **OVERSIZED BEARING PRE-LUBRICATED FOR LIFE**
- **INSULATION CLASS H, VACUUM IMPREGNATED**
- **UL 1446 - ELECTRICAL INSULATION SYSTEM**
- **DIRECT/CUSTOM COUPLING AVAILABLE**



[WWW.COLISEUMELECTRIC.COM](http://WWW.COLISEUMELECTRIC.COM)



## GC-S SERIES

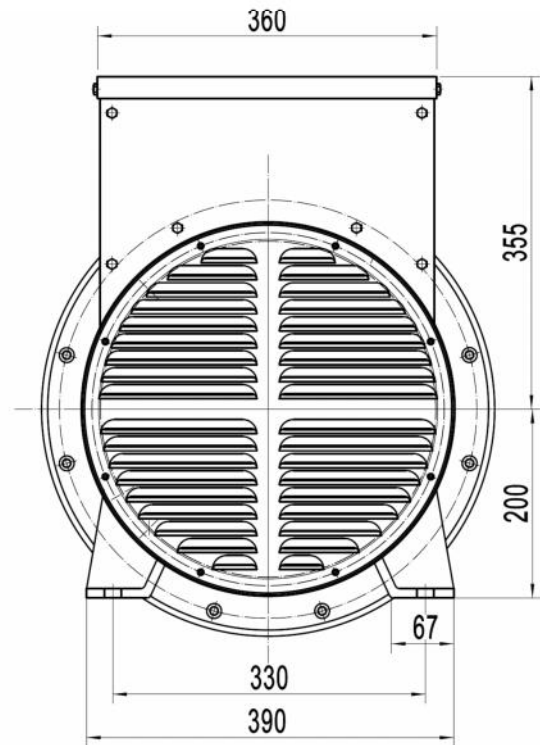
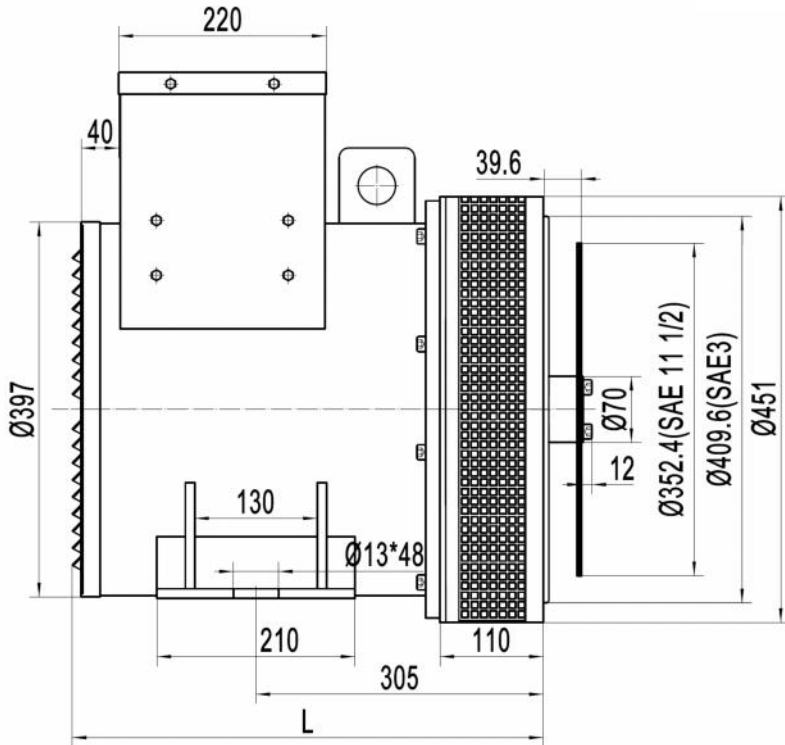
BRUSHLESS SYNCHRONOUS INDUSTRIAL GENERATORS  
WITH OPTIONAL AUXILIARY WINDING

RANGE: 35 kW - 50 kW, SINGLE AND THREE PHASE

VOLTAGE: SINGLE PHASE, 120/240V, 4 LEADS, DEDICATED, PF=1.0  
THREE PHASE, 240/480V, 12 LEADS, RE-CONNECTABLE, PF=0.8

TEMP. RISE: 125°C AT 50°C AMBIENT TEMP.

FREQUENCY: 4-POLE, 60Hz, 1800 RPM



TYPE (SINGLE-PHASE)	L	125°C temp. rise at 50°C ambient temp 60Hz, 1800RPM, 120/240V, PF=1.0
<b>1GC35-S</b>	500	35 kW
<b>1GC45-S</b>	520	45 kW
<b>1GC50-S</b>	540	50 kW

TYPE (THREE-PHASE)	L	125°C temp. rise at 50°C ambient temp 60Hz, 1800RPM, 480V, PF=0.8
<b>3GC35-S</b>	500	35 kW
<b>3GC45-S</b>	520	45 kW
<b>3GC50-S</b>	540	50 kW

### COUPLING DISC ENGINE FLYWHEEL

SAE no.	XM	XG HOLES	XF	XE
<b>10</b>	54	8 x φ11	295.3	314.2
<b>11.5</b>	39.7	8 x φ11	333.3	352.3

### ADAPTER ENGINE FLYWHEEL HOUSING

SAE no.	BF HOLES	AK	AJ	BD	XY
<b>2</b>	12 x φ11.5	447.6	466.7	490	15°
<b>3</b>	12 x φ11.5	409.5	428.6	451	15°

The company reserves the right to change specifications without prior notice.

COLISEUM ELECTRIC CORPORATION  
4087 HEARTHSTONE DRIVE  
SARASOTA, FL 34238 USA

sales@coliseumelectric.com  
phone: (941) 966-9370  
fax: (941) 296-7433

[WWW.COLISEUMELECTRIC.COM](http://WWW.COLISEUMELECTRIC.COM)