



INSTALLATION INSTRUCTIONS

TS819A HEATING THERMOSTAT

APPLICATION

The TS819 is a bimetal operated, open-contact thermostat which provides temperature control for a self-powered gas heating system. The TS819 is used with a 750mv system. This thermostat must not be used with a line-voltage or 24 volt heating system.

INSTALLATION

Locate thermostat five feet above the floor on an inside wall where there is good natural air circulation. Run two wires from the heating system to the thermostat location (Fig. 1). Wiring must agree with local codes.

Wire Size	Max. Length 2-Wire Cable	Max. Combined Length 2-Single Wires
No. 18	30 feet	60 feet
No. 16	50 feet	100 feet
No. 14	80 feet	160 feet

MOUNTING THE THERMOSTAT

The TS819 may be mounted directly on the wall or on a vertical outlet box, see (A). A backplate (Accessory No. 120935) is available for wiring connections if desired, see (B).

(A) MOUNTING THERMOSTAT DIRECTLY ON WALL OR OUTLET BOX

1. Attach thermostat cable to terminals behind thermostat base (See Fig. 1 and 3). Push wires into wall and plug hole to prevent drafts from affecting thermostat.
2. Pull off thermostat cover (held on by mounting posts and scaleplate spring tension).
3. Fasten thermostat to wall or vertical outlet box with a screw through the top mounting hole.
4. Place a spirit level against the thermostat to find vertical position and start other screw.
5. Recheck vertical position. Firmly tighten screws.
6. Replace thermostat cover.

(B) WHEN BACKPLATE IS USED

NOTE: The backplate is an accessory which must be ordered separately if backplate mounting is desired.

1. Pull off cover (held by mounting posts and scaleplate spring tension).
2. Pull thermostat cable through hole in backplate.
3. Fasten backplate directly to the wall or vertical outlet box with a screw through the top mounting hole (See Fig. 2).
4. Place a spirit level against the backplate to find vertical position and start a screw in the center of the bottom mounting hole.
5. Recheck vertical position and firmly tighten both mounting screws.
6. Connect wires to backplate terminals (See Figs. 1 and 2).
7. Push excess wire back into the hole in wall or outlet box. Plug hole in wall to eliminate drafts.
8. Place the thermostat on backplate so that the aligning keys on the bottom and top fit into the holes provided (See Fig. 2). Tighten the two captive mounting screws—they complete the electrical connections to the thermostat.
9. Replace thermostat cover.

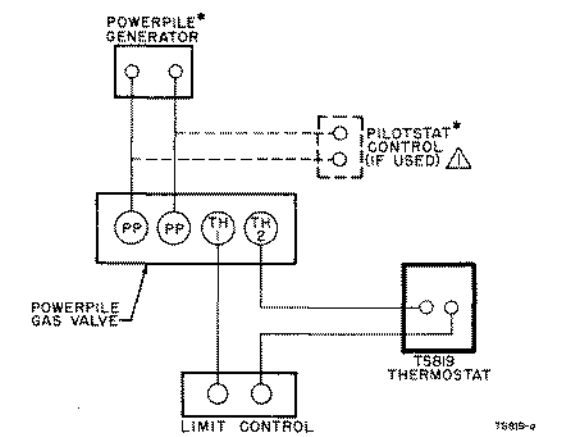


Fig. 1—Typical hookup for TS819 Thermostat. A Pilotstat control must be used in an L. P. gas system.

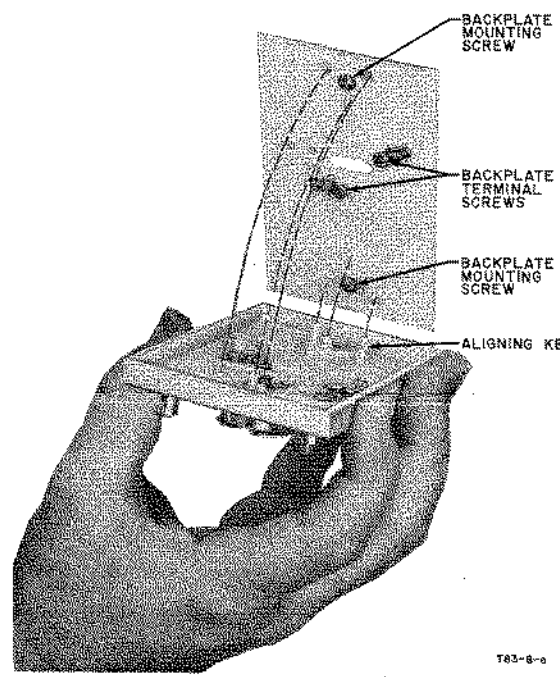
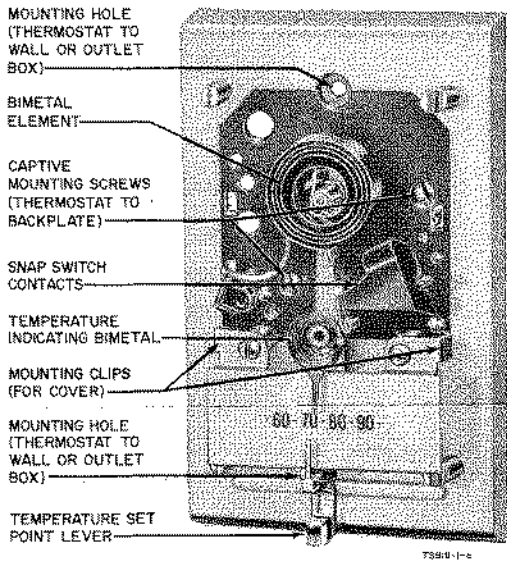
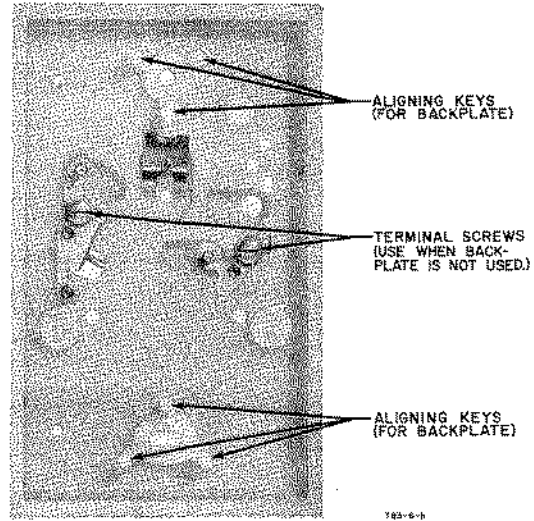


Fig. 2—Mounting thermostat to backplate (accessory).

*Trademark 12-64 O. C.



FRONT



BACK

Fig. 3—Internal view of TS819 Thermostat.

SETTING AND CHECKOUT

TEMPERATURE SELECTION

Move temperature set point lever to desired point on temperature scale. On positive off models, system will be shut off completely when indicator lever is moved to extreme left end of scale.

CHECKING THERMOSTAT OPERATION

Move temperature set point lever above room temperature until the burner starts. Lower the setting 1-2 degrees, the burner should stop.