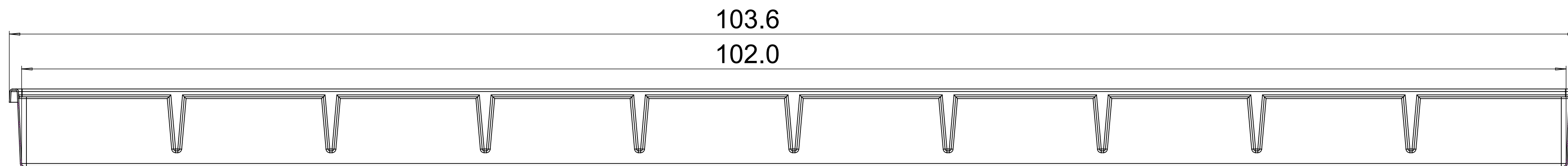
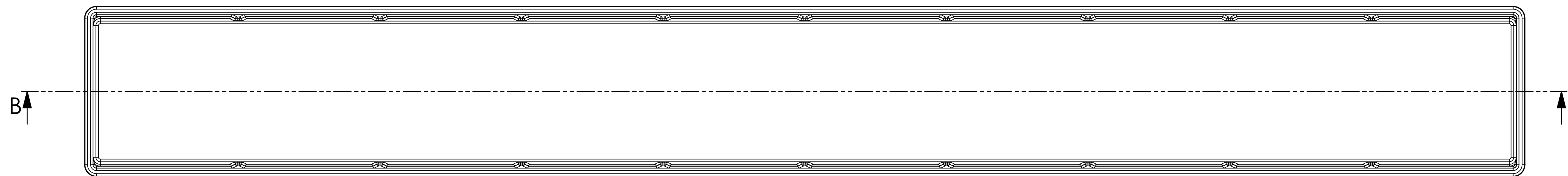
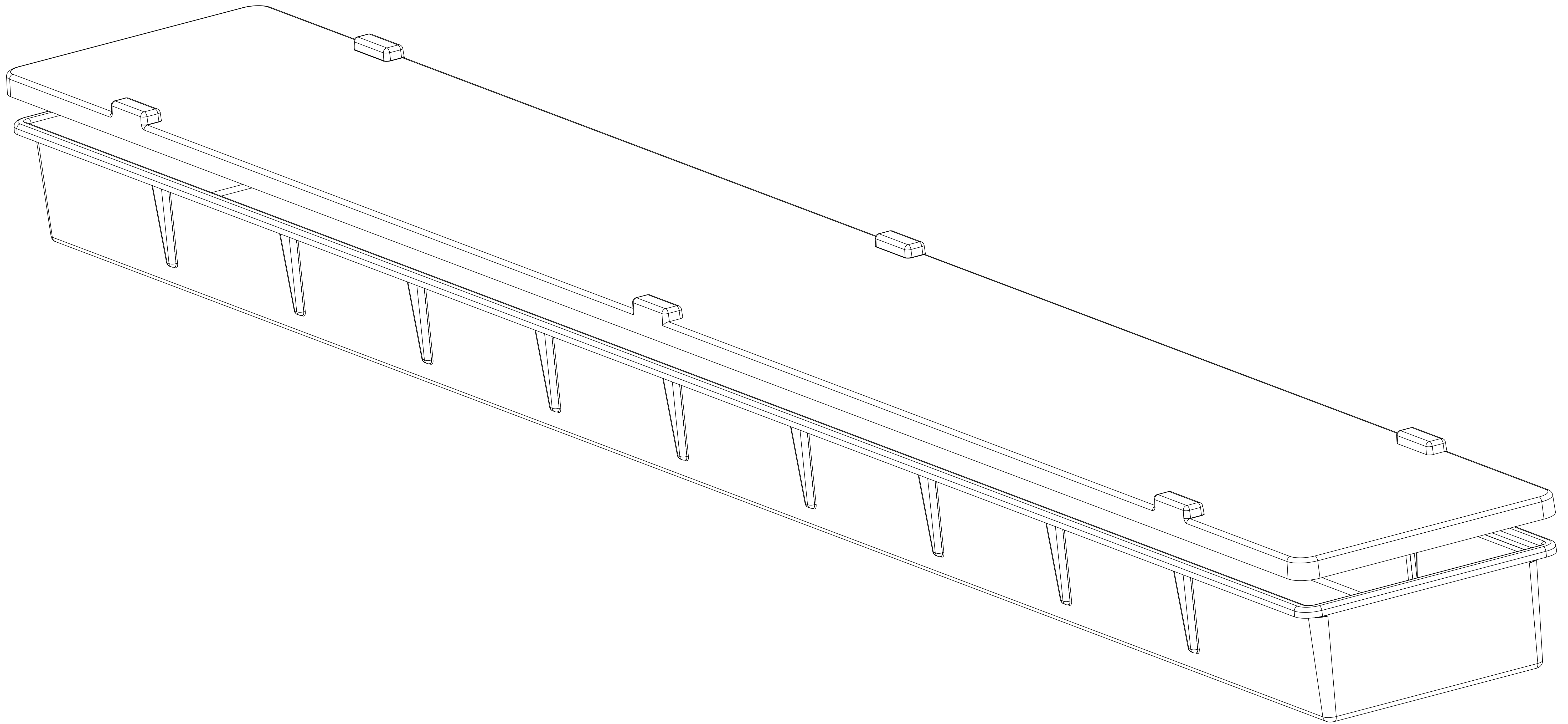


SECTION A-A
SCALE 1:5



SECTION B-B
SCALE 1:5

Hoosier Plastics, Inc. Thermoformed Plastic Products			
<small>2011 South Third St. Terre Haute, IN • Phone: (812) 232-5027 •</small>			
PART NUMBER: 3349	REV A	UNLESS OTHERWISE SPECIFIED	DRAWN BY: MJM
DESCRIPTION: TUBE TRAY		DIMENSIONS ARE IN INCHES DRAFT IS 3°	DATE: 8/23/2004
CUSTOMER: ---		DIMENSIONS TO CAVITY SIDE	MATERIAL: DOW 555 ABS
CUSTOMER PART NUMBER: ---		TOLERANCES: ANGULAR: 1° DECIMAL: .020	STOCK SIZE: 5.0" x 7.8" x 60.0"
SCALE: 1:5		THIS DESIGN IS THE SOLE PROPERTY OF HOOSIER PLASTICS, INC. UNTIL PURCHASED BY CUSTOMER	SHEET 1 OF 2



Hoosier Plastics, Inc.

Thermoformed Plastic Products

2011 South Third St. Terre Haute, IN • Phone: (812) 232-5027 •

PART NUMBER: 3349	REV A	UNLESS OTHERWISE SPECIFIED	DRAWN BY:
DESCRIPTION:		DIMENSIONS ARE IN INCHES DRAFT IS 3°	DATE:
CUSTOMER:		DIMENSIONS TO CAVITY SIDE	MATERIAL: ABS
CUSTOMER PART NUMBER:		TOLERANCES: ANGULAR: 1° DECIMAL: .020	STOCK SIZE:
SCALE: 1:2		THIS DESIGN IS THE SOLE PROPERTY OF HOOSIER PLASTICS, INC UNTIL PURCHASED BY CUSTOMER	SHEET 2 OF 2