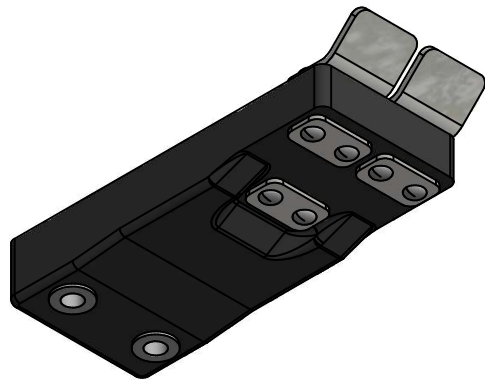
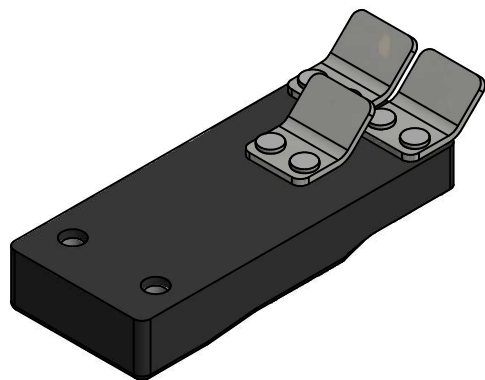
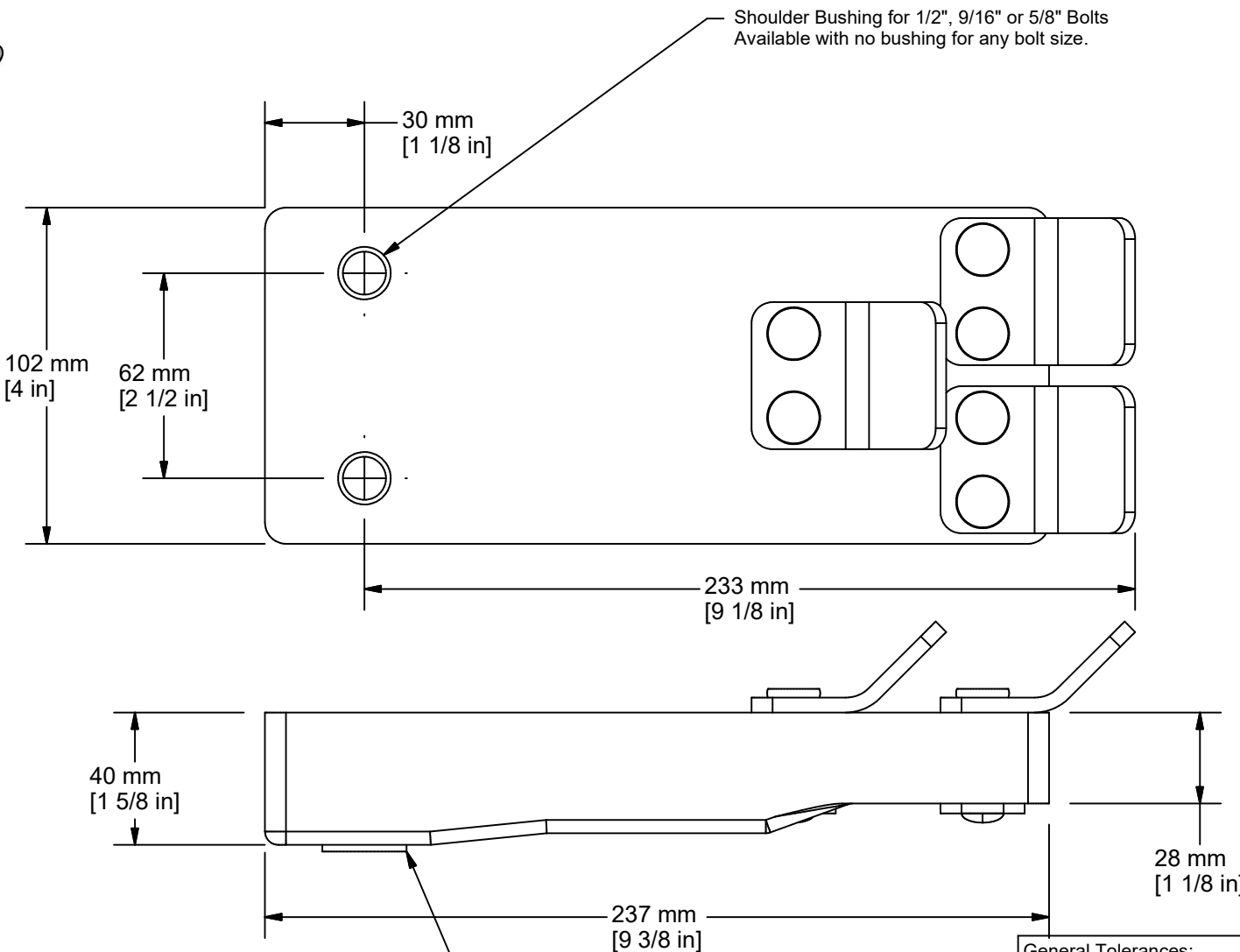


2

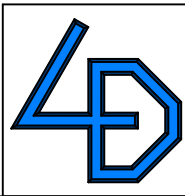
1



Steel Shoulder Bushing



General Tolerances:  
 x.x +/- 1/32  
 x.xx +/- 0.010  
 x.xxx +/- 0.005  
 x.xxxx +/- 0.0005



**LORNIC DESIGN INCORPORATED**  
 12613 JAMES STREET, SUITE 10  
 HOLLAND, MICHIGAN 49424  
 PHONE: 616-594-0355 FAX 616-582-5908

THIS DRAWING INCLUDING ALL DESIGNS AND INFORMATION CONTAINED OR IMPLIED IS CONFIDENTIAL AND THE PROPERTY OF LORNIC DESIGN INCORPORATED. IT MAY NOT BE USED OR REPRODUCED IN ANY MANNER WITHOUT THE WRITTEN PERMISSION OF LORNIC DESIGN INCORPORATED AND IT MUST BE RETURNED UPON REQUEST (c) 2004

RELEASE DATE: 11/6/2019 RELEASED BY: INRH

Lornic Design  
 "695" 3-Cleat Paddle  
 Generic Sales Dimensions

FILE: 695-3-Cleat Sales.idw SIZE: A  
 SHEET: 1 of 1 695-23262.iam

2

1