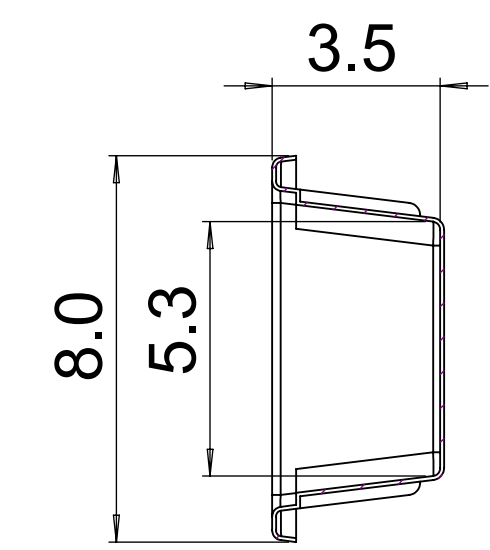
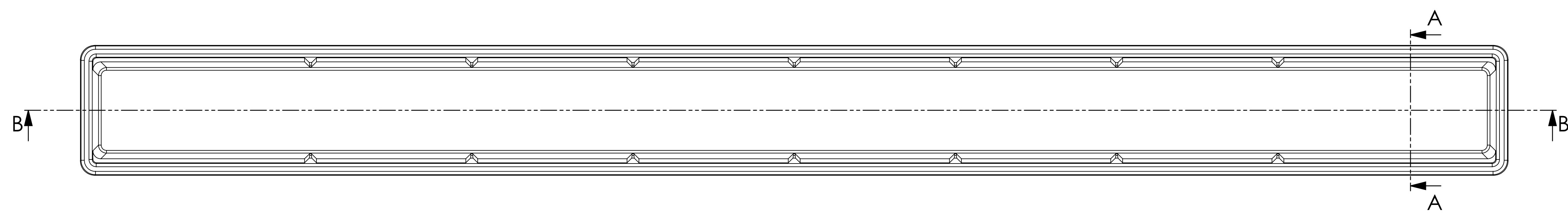
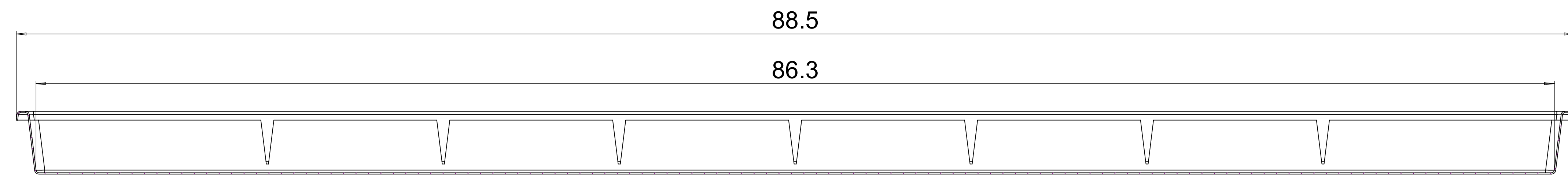


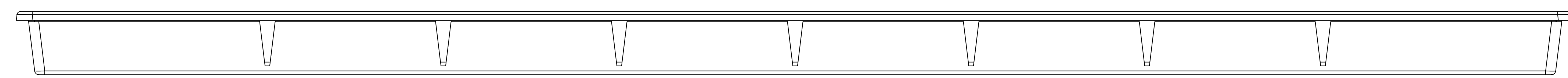
8 7 6 5 4 3 2 1



SECTION A-A
SCALE 1 : 4



SECTION B-B
SCALE 1 : 4

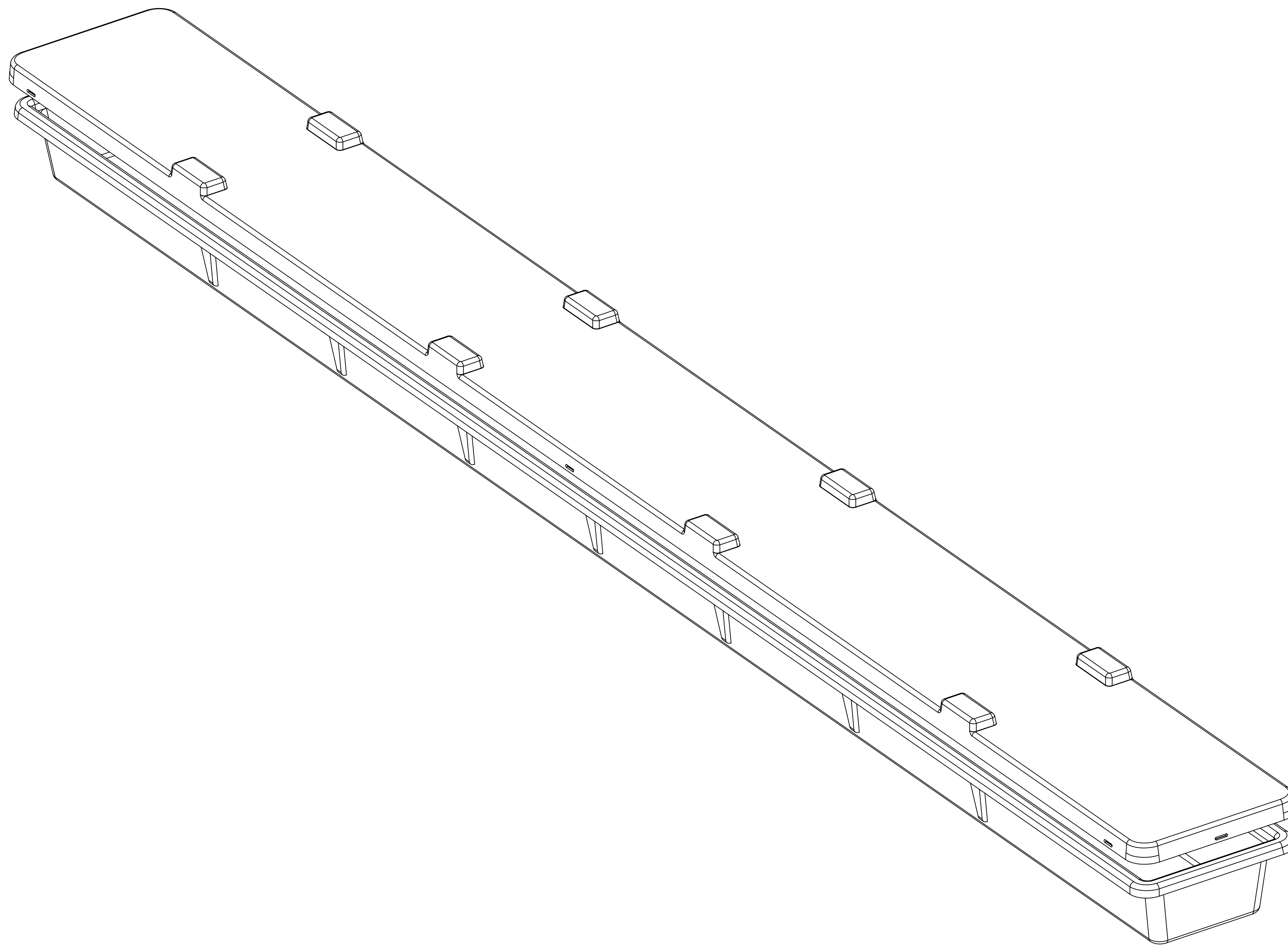


REF A
3506
D

REF A
3506
D

Hoosier Plastics, Inc. Thermoformed Plastic Products <small>2011 South Third St. Terre Haute, IN • Phone: (812) 232-5027 •</small>		PART NUMBER: 3383 REV A	
		UNLESS OTHERWISE SPECIFIED DIMENSIONS ARE IN INCHES DRAFT IS 3° DIMENSIONS TO CAVITY SIDE TOLERANCES: ANGULAR: ± DECIMAL: .020	
DESCRIPTION: TUBE TRAY		DRAWN BY: MJM	
CUSTOMER: ---		DATE: 04/13/2007	
CUSTOMER PART NUMBER: ---		MATERIAL: DOW 555 ABS	
SCALE: 1:4		STOCK SIZE: 3.5" x 5.3" x 86.3" SHEET 1 OF 2	
THIS DESIGN IS THE SOLE PROPERTY OF HOOSIER PLASTICS, INC. UNTIL PURCHASED BY CUSTOMER			

8 7 6 5 4 3 2 1



Hoosier Plastics, Inc.		Thermoformed Plastic Products	
<small>2011 South Third St. Terre Haute, IN • Phone: (812) 232-5027 •</small>			
PART NUMBER:	3383	REV A	UNLESS OTHERWISE SPECIFIED
DESCRIPTION:			DIMENSIONS ARE IN INCHES DRAFT IS 3°
CUSTOMER:			DIMENSIONS TO CAVITY SIDE TOLERANCES: ANGULAR: 1° DECIMAL: .020
CUSTOMER PART NUMBER:			THIS DESIGN IS THE SOLE HOOSIER PLASTICS, INC UNTIL PURCHASED BY CUSTOMER
SCALE: 1:3			SHEET 2 OF 2