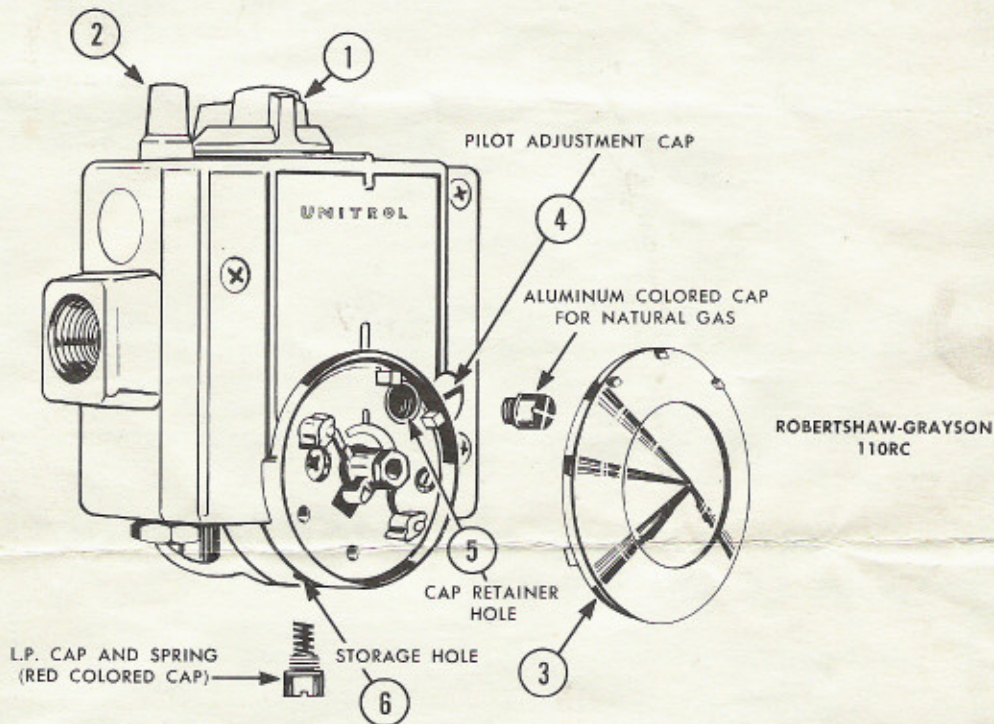


# OPERATING AND INSTALLATION MANUAL

ATWOOD BOWEN

## GAS WATER HEATERS

MODELS G-106T1 • G-110T1 • G-110M1 • G-117M1 • G-130M1



### LIGHTING INSTRUCTIONS

1. Turn GAS COCK DIAL (1) to "OFF" Position.
2. Wait sufficient length of time to allow gas which may have accumulated in burner compartment to escape (At least 5 minutes.)
3. Turn GAS COCK DIAL (1) to "PILOT" Position.
4. Depress and hold RESET BUTTON (2) while lighting pilot burner. Allow pilot to burn approximately one-half minute before releasing RESET BUTTON. If pilot does not remain lighted, repeat operation allowing longer period before releasing RESET BUTTON.
5. Turn GAS COCK DIAL (1) to "ON" Position and turn TEMPERATURE DIAL (3) to desired position.

### PILOT BURNER ADJUSTMENT

1. Remove Pilot Adjustment Cap (4).
2. Adjust pilot key to provide properly sized flame.
3. Replace pilot adjustment cap (4).

### GAS CONVERSION INSTRUCTIONS

#### TO PROVIDE NATURAL GAS REGULATION

1. Install the brass orifice, #49 drill size, in the main burner.
2. Install the aluminum colored cap in the threaded hole in the regulator cover (Cap Retainer-hole). This provides outlet pressure in the Natural Gas range. (See Fig. 5)

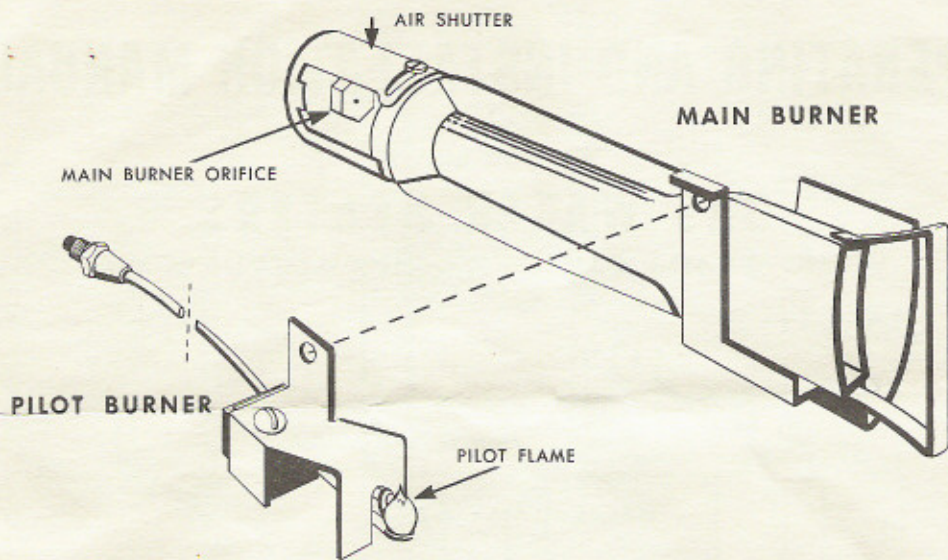
#### TO PROVIDE L. P. GAS REGULATION

1. Install the Black Orifice, #58 drill size, in the main burner.
2. Install the Red Colored Cap in the threaded hole in the regulator cover (5). This provides outlet pressure in the L.P. Gas range.

#### NOTE:

1. With no cap installed in the regulator cover, the regulator will provide Natural Gas regulation, however, it is imperative that the aluminum cap be used to provide proper venting and damping for Natural Gas regulation.
2. To provide a means of storing the unused cap, a blank threaded mounting hole is provided at the bottom of the center casting (See Fig. 6)

WHEN ORDERING THERMOSTAT REPLACEMENT GIVE WATER HEATER MODEL NUMBER

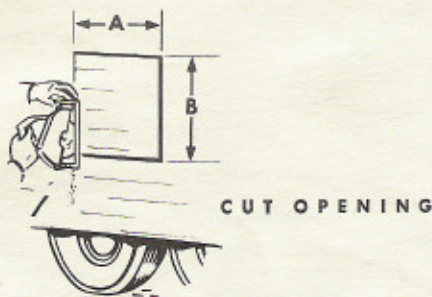


**PILOT ADJUSTMENT:** Adjust pilot flame to  $\frac{1}{2}$ " high or until a slight yellow tip appears in pilot flame. Pilot adjusting key is identified on picture of thermostat.

**BURNER ADJUSTMENT:** Close main burner air shutter enough for yellow tip to appear in flame, then slowly open air shutter until yellow tip disappears and lock with set screw.

## WATER HEATER INSTALLATION INSTRUCTIONS

MODELS G-106T1 • G-110T1 • G-110M1 • G-117M1 • G-130M1

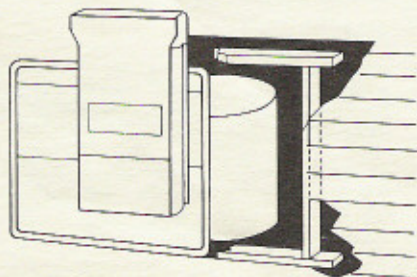


### BODY OPENING

MODEL	A	B	DEPTH
G-106T1	16 $\frac{1}{2}$ "	12 $\frac{1}{4}$ "	18 $\frac{1}{2}$ "
G-110T1	21"	16"	22"
G-110M1	21"	16"	22"
G-117M1	21"	23"	22"
G-130M1	21"	35"	22"

★ All models except the G-106T1 may rest on either a shelf or the floor as long as it is  $\frac{1}{2}$ " below edge of body opening.

### CUTAWAY VIEW OF SIDE OF TRAILER



**INSERTION** (SAME PROCEDURE ON ALL MODELS)

### FRAMING SHOULD BE AT LEAST ONE INCH MATERIAL

Supporting structure of all models except G-106T1 must be  $\frac{1}{2}$ " below edge of body opening.

Framing material must have at least one inch clearance from boot area of heater on all models except the G-106T1.

Heater must be installed through exterior opening. Secure heater to coach with  $\frac{3}{4}$ " #8 Rd. Hd. wood screws.

## Ten Year Water Heater Warranty

1. ATWOOD BOWEN CO. will, during the FIRST YEAR this heater is installed, under normal conditions of domestic use and service, furnish replacement parts to the original owner, if our examination shall show to our satisfaction that these parts are defective in material or workmanship. (See Paragraph 3 below.)

2. We further agree, if our examination shall show to our satisfaction that a leak has developed in the original inner tank, that we will furnish to such original owner during the period of the FIRST TWO YEARS from the date of original installation, a new heater of the prevailing comparable model and that if such leak should occur during the period of the third to tenth year, inclusive, from the date of original installation, we will furnish a new heater of the prevailing comparable model at a percentage of the Company's established retail price, at date of replacement, on the following schedule:

Within 3rd year, 50%	Within 7th year, 70%
Within 4th year, 55%	Within 8th year, 75%
Within 5th year, 60%	Within 9th year, 80%
Within 6th year, 65%	Within 10th year, 85%

A replacement heater provided under the terms of this paragraph will carry only the unexpired portion of the original heater's warranty. (See Paragraph 3 below.)

3. Heater or replacement parts will be shipped f.o.b. our plant at Wixom, Michigan, and the customer will be liable for shipping, delivery and labor charges for removal and installation. Any heater or parts being replaced will become the property of the Company and must be returned to the Company's plant with transportation paid by the customer.

4. This warranty is VOID:

- (a) If the heater is not equipped with approved temperature and pressure relief valve; or
- (b) If it is installed in violation of any local plumbing or electrical code, statute, ordinance or regulation, or
- (c) If it has been subjected to misuse, alteration, neglect (including freezing) or external damage, regardless of fault, or has been operated contrary to our printed instructions or the ratings specified on the heater data plate.

5. This contract is in lieu of all warranties, expressed or implied, and of all other obligations on our part. THERE IS NO WARRANTY OF MERCHANTABILITY, nor any other warranty not expressed herein. We neither assume nor authorize any person to assume for us any other obligation or liability in connection with the sale or use of this heater. An excessive deposit of foreign matter in the water does not in itself constitute tank failure within the scope of this contract. We assume no liability for any losses or consequential damages resulting from a defect of this heater.

THE WARRANTY CARD ATTACHED MUST BE RETURNED TO THE MANUFACTURER WITHIN 30 DAYS OF INSTALLATION IN ORDER THAT THIS WARRANTY MAY BE PUT INTO EFFECT. FAILURE TO DO THIS WILL MAKE THIS WARRANTY NULL AND VOID.

ATWOOD BOWEN CO.  
Wixom, Michigan

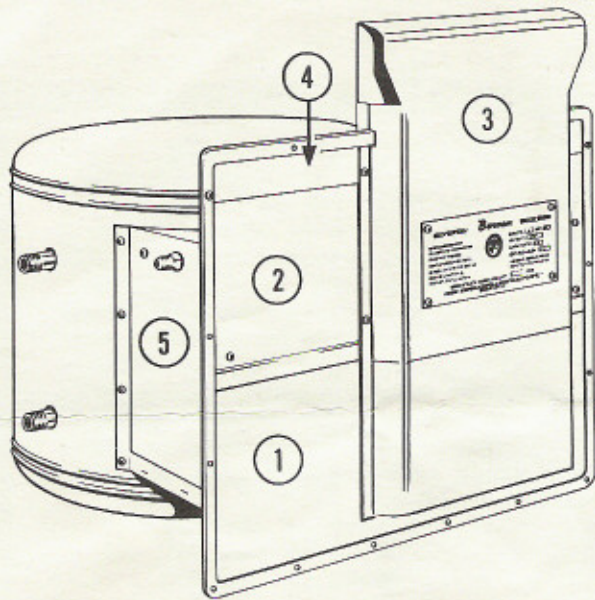
Fill in. You will need this information should your water heater be damaged.

Date \_\_\_\_\_ Model \_\_\_\_\_ Specification \_\_\_\_\_ Serial \_\_\_\_\_  
Installed \_\_\_\_\_ No. \_\_\_\_\_ No. \_\_\_\_\_ No. \_\_\_\_\_



ATWOOD BOWEN CO.

49230 West Fourteen Mile • Wixom, Michigan 48096



## MODELS

G-106T1

G-110T1

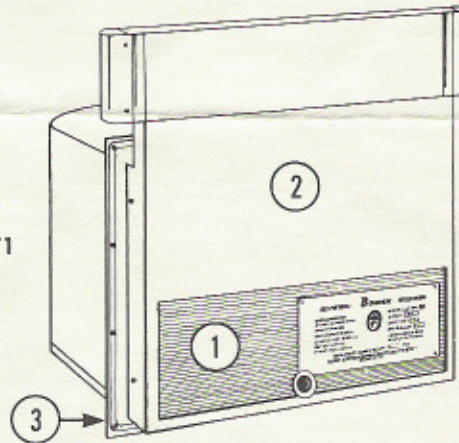
G-110M1

G-117M1

G-130M1

CAUTION • DRAIN TANK WHEN NOT IN USE IN BELOW FREEZING WEATHER

• G-106T1



WHEN ORDERING PARTS always indicate MODEL NO.—  
SERIAL NO. — SPECIFICATION NO. of the water heater,  
and reference numbers as shown here for outside parts.



ATWOOD BOWEN CO.

PHONE: 624-1555 • AREA CODE 313 • TWX-624-4562 • 49230 WEST FOURTEEN MILE • WIXOM, MICHIGAN 48096