

GoHoist.com Tension Chains for 11' Tall Boy Units

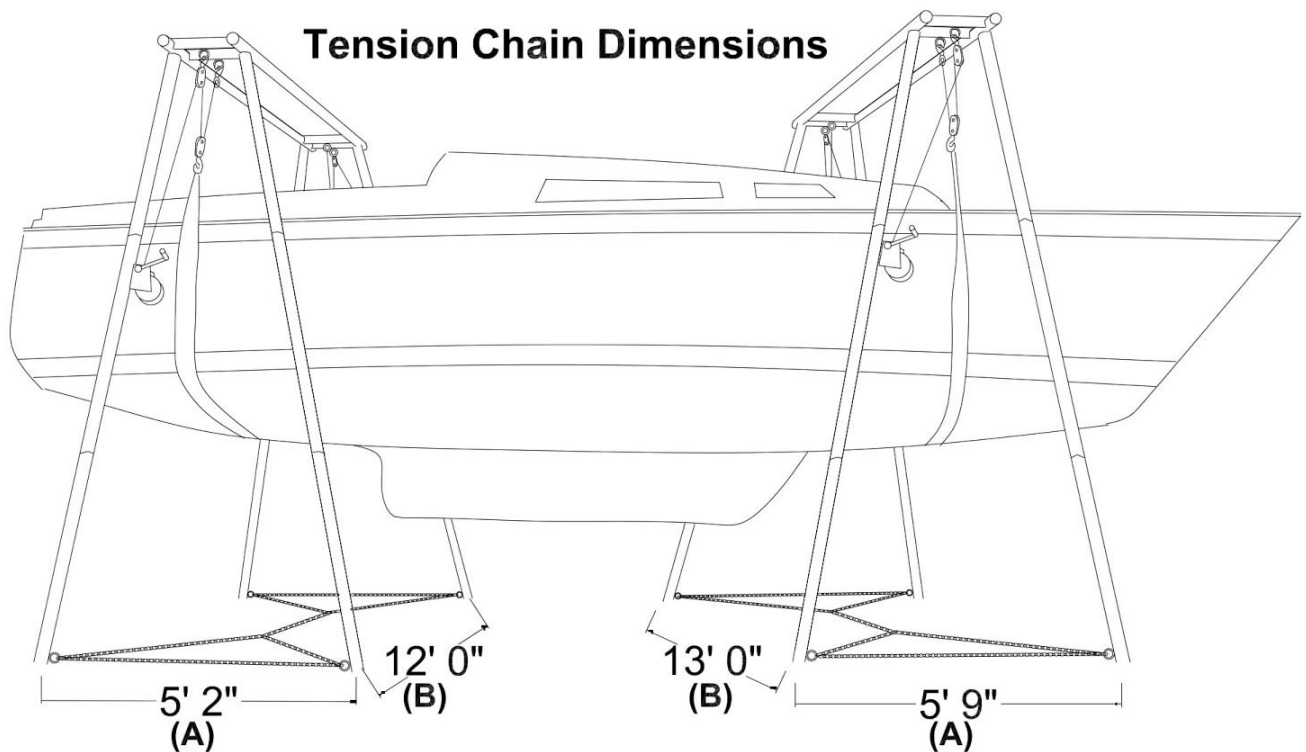
Configuring and adjusting tension chains on 11' (Tall Boy) GoHoist.

The GoHoist tension chains have set lengths so that when attached the GoHoist feet are positioned correctly for best stability.

You should check the chain length between the quick link connectors and adjust if necessary to the correct length at shown in the drawing below. How can you quickly tell if you have a 11' Tall Boy unit? Measure the length of any yellow leg section (bottom or middle leg sections) and the length of the leg (including the insert) will be 49". Standard GoHoist leg sections are 43".

The two required dimensions are the distance (A) between the front and back feet and the Distance (B) between the two sides of each hoist.

You can adjust the triangle to the correct length for (A) and the two interior lengths can become shorter. These two interior side do not have a set length, they can vary. You may have to add an additional chain segment to the middle connector chain to get the correct distance (B).



Standard 10' Hoist - 43" leg sections

Tall Boy 11' Hoist - 49" leg sections