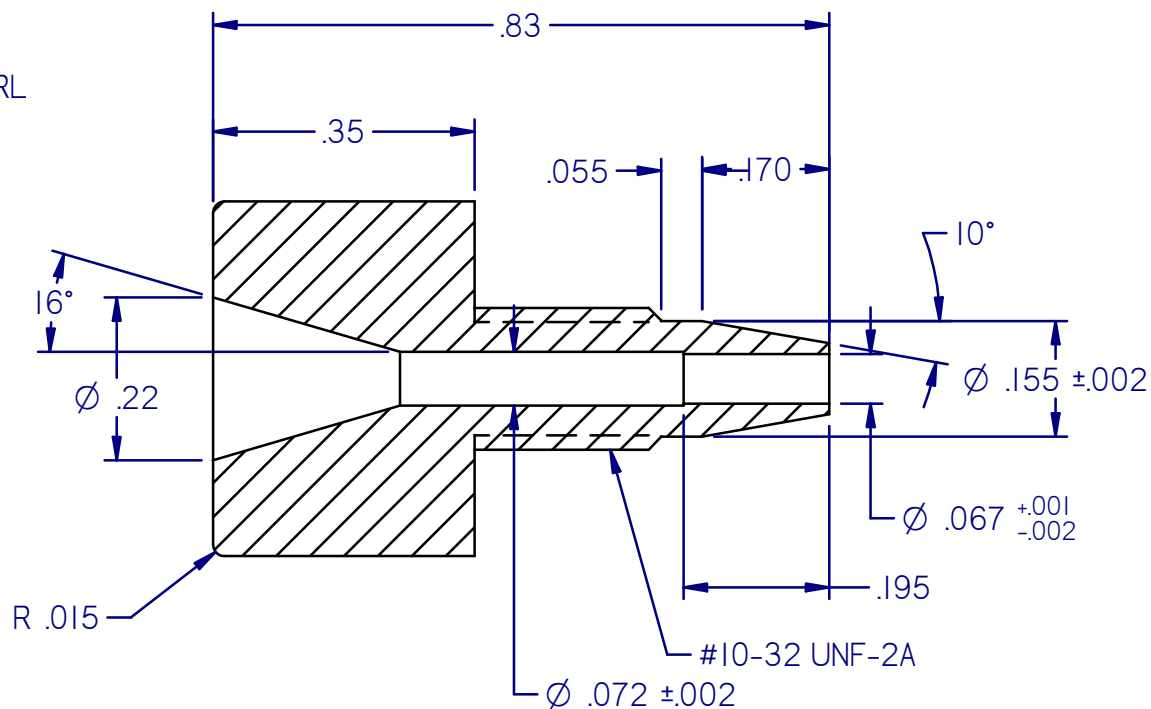
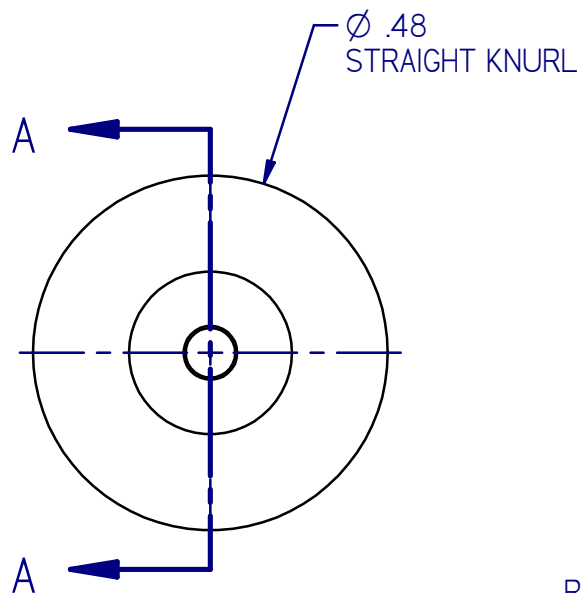


Revisions			
Rev	Description	Date	Initials
F	Updated drawing from old cad program	11/1/2010	TPA
G	Updated drawing to match actual mold features and dimension	3/26/2014	DVK



SECTION A-A

NOTES:

1. REMOVE ALL BURRS.
2. SURFACE FINISH AS MOLDED.
3. ALL RADII TO BE .031" MAX, UNLESS NOTED.
4. ALL DRAFT ANGLES TO BE 1° MAX, UNLESS NOTED.

CONFIDENTIAL:		TEI Chromatography, Inc.	
This drawing is the property of TEI Chromatography. Any reproductions or modifications of this drawing or its contents without consent of Alltech is prohibited.		DESCRIPTION: Knurl-Lok Fitting	
MATERIAL: PEEK		P/N: 2110663	
GENERAL TOLERANCES DECIMAL: XX ±.010"; XXX ±.005" FRACTIONAL: ± 1/64" ANGULAR: ±1/2° UNLESS OTHERWISE SPECIFIED		DRAWN: DVK	APPROVED: SPS
63/	SCALE: 4 = 1	DRAWING NO: 0000368	REV: G
UNLESS OTHERWISE SPECIFIED	SIZE A		SHEET 1 OF 1
		DATE: 03/26/14	