

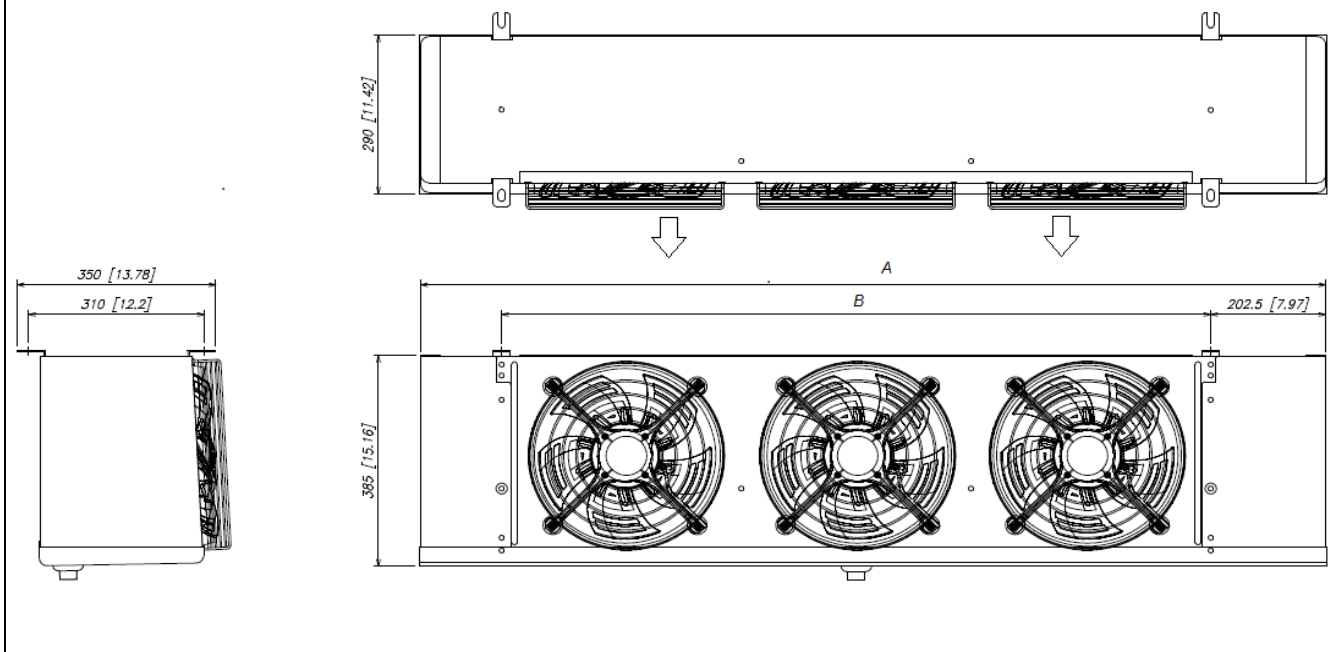


Infinity Refrigeration Inc
 9419 Ann Street
 Santa Fe Springs, CA 90670
 Ph: 888-328-9050
 Fx: 562-287-8903

Submittal Data/Drawings Sheet
 Low Profile Unit Cooler "ILE" Low Temp Model
 Remote Refrigeration System
 For Review Date: 12/21/2017
 For Approval By:

Job Name: _____ **Job Location:** _____
Engineer/ Architect : _____ **Customer:** _____ **Order #** _____
Model No. : _____ **Item No. :** _____ **Unit Qty:** _____ **Ref. #** _____
Notes: _____

Plan Drawings



Performance Data "ILE" Electric Defrost, Low Temperature (60Hz)

Unit Model Number	Capacity		Fan Data	
	BTuH / Watts 10° F TD -20° F SST	BTuH 10° F TD 25° F SST	12in / 30cm Diameter Qty	CFM/ m³H
ILE150B	15,000 / 4,393		3	2,433 / 4,134

Physical Data

Unit Model Number	Refrigeration Connections (Inches)			Drain	Dimensions (inches/cm)				Weight (lbs/kgs)
	Coil Inlet	Suction	External Equalizer		A	B	C	D	
ILE150B	1/2 OD	7/8 ID	1/4 OD	3/4MPT	63 / 1,600	49.2 / 1,250			

Electrical Data

EC Motor Data 208-230V / 60Hz / 1Φ			Defrost Heaters Data			Airthrow Ft
HP	Total Amps	Watts	Watts	208-230V / 60Hz / 1 Φ Total Amps	208-230V / 60Hz / 3 Φ Total Amps	
1/15	1.02	235	2,781	12.09	6.99	25

