

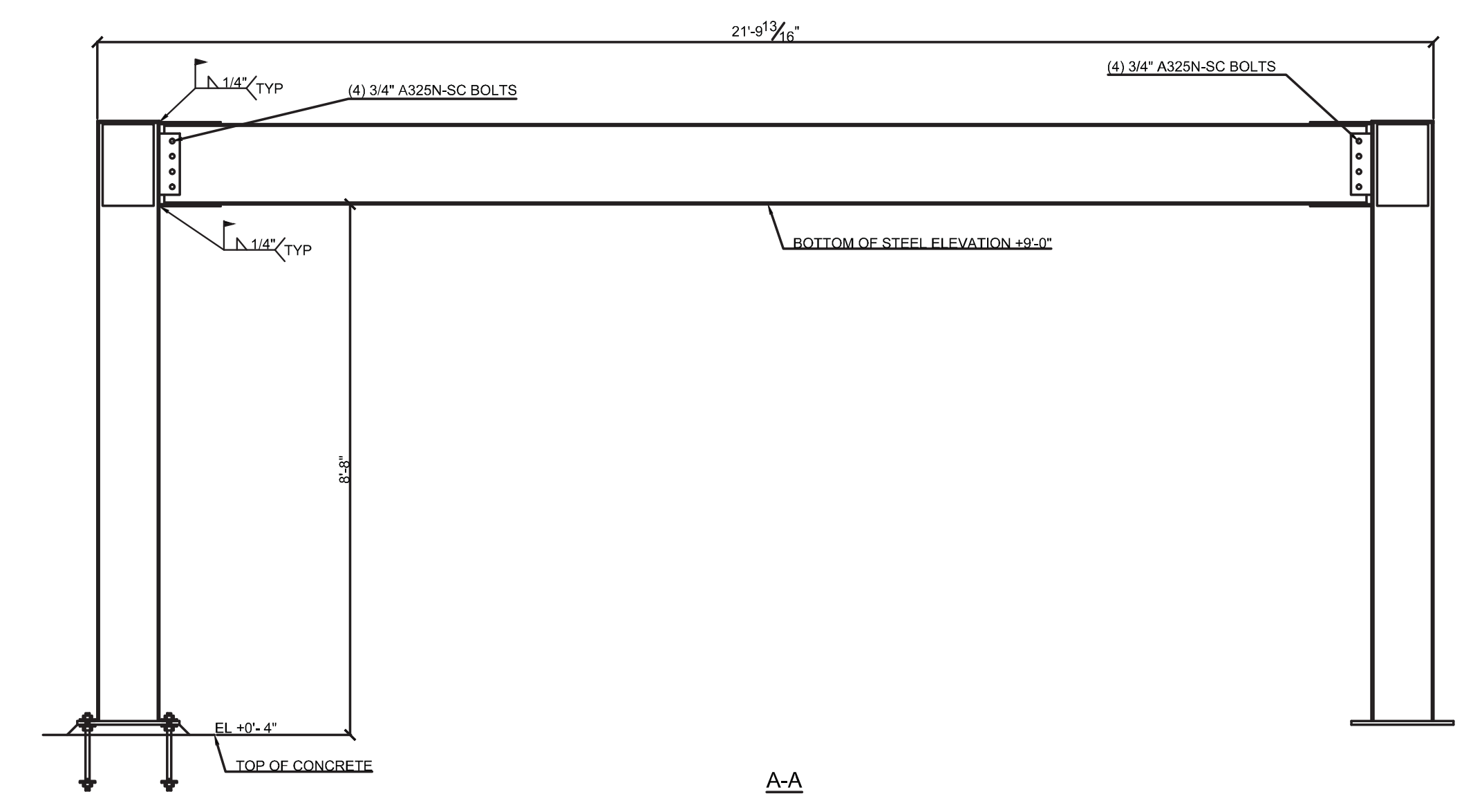
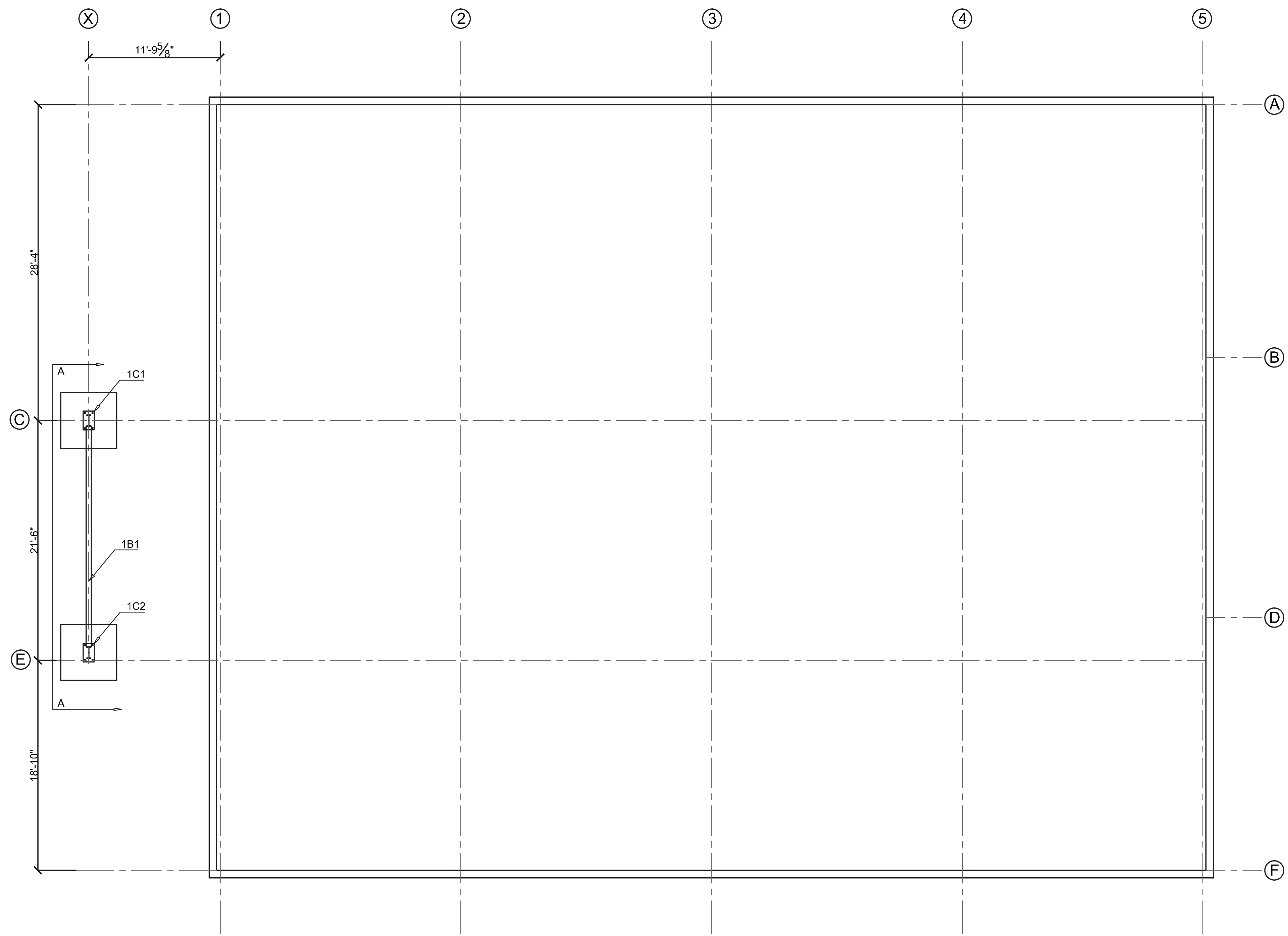
ANCHOR BOLT PLAN

APPROVERS NOTE:
 APPROVER, PLEASE VERIFY ALL DIMENSIONS, ELEVATIONS AND
 CONDITIONS. ALSO PROVIDE UNKNOWN OR MISSING INFORMATION.
 FABRICATOR TO FIELD VERIFY PRIOR TO FABRICATION.

REV	DESCRIPTION	DATE
A	FOR APPROVAL	5.10.19
B	FOR APPROVAL	5.20.19



DESCRIPTION	DATE DRAWN	DRAWN BY
ANCHOR BOLT PLAN	5.10.19	BV
TOMROOK STEEL 149 PARRISH BLVD. BARDSTOWN, KY 40004 PH. (502) 349.9126		CHECKED BY
CONTRACTOR JENKINS AND ESSEX		LOCATION
PHYSICAL THERAPY ASSOCIATES		HODGENVILLE, KY
DETAILING CO.	ENGINEER	
TOMROOK	KPFF	
REF No.	SCALE	
JOB No.	DRG No.	REV
	AB1	



COLUMN AND BEAM PLAN

For Connection Design Only



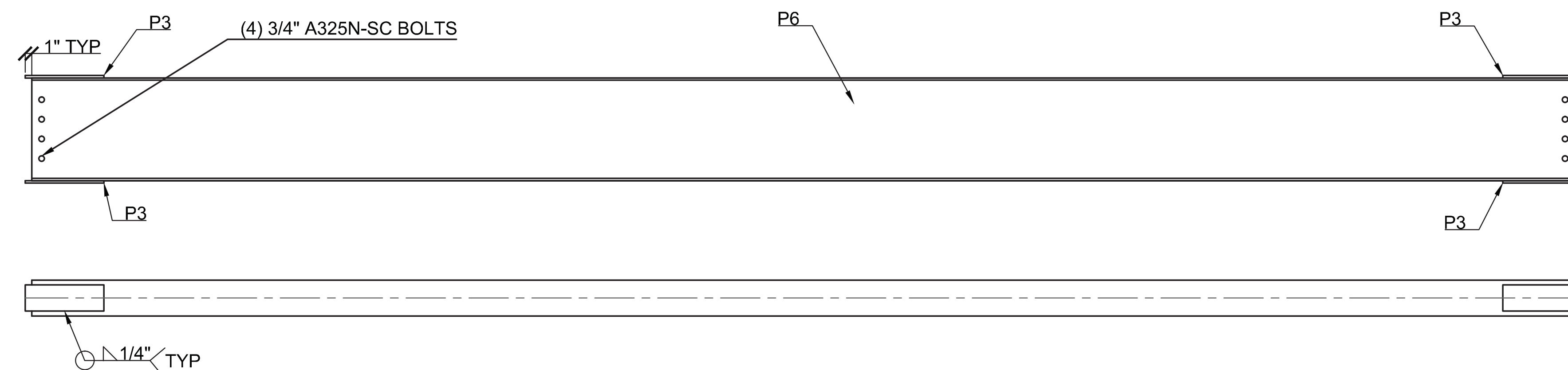
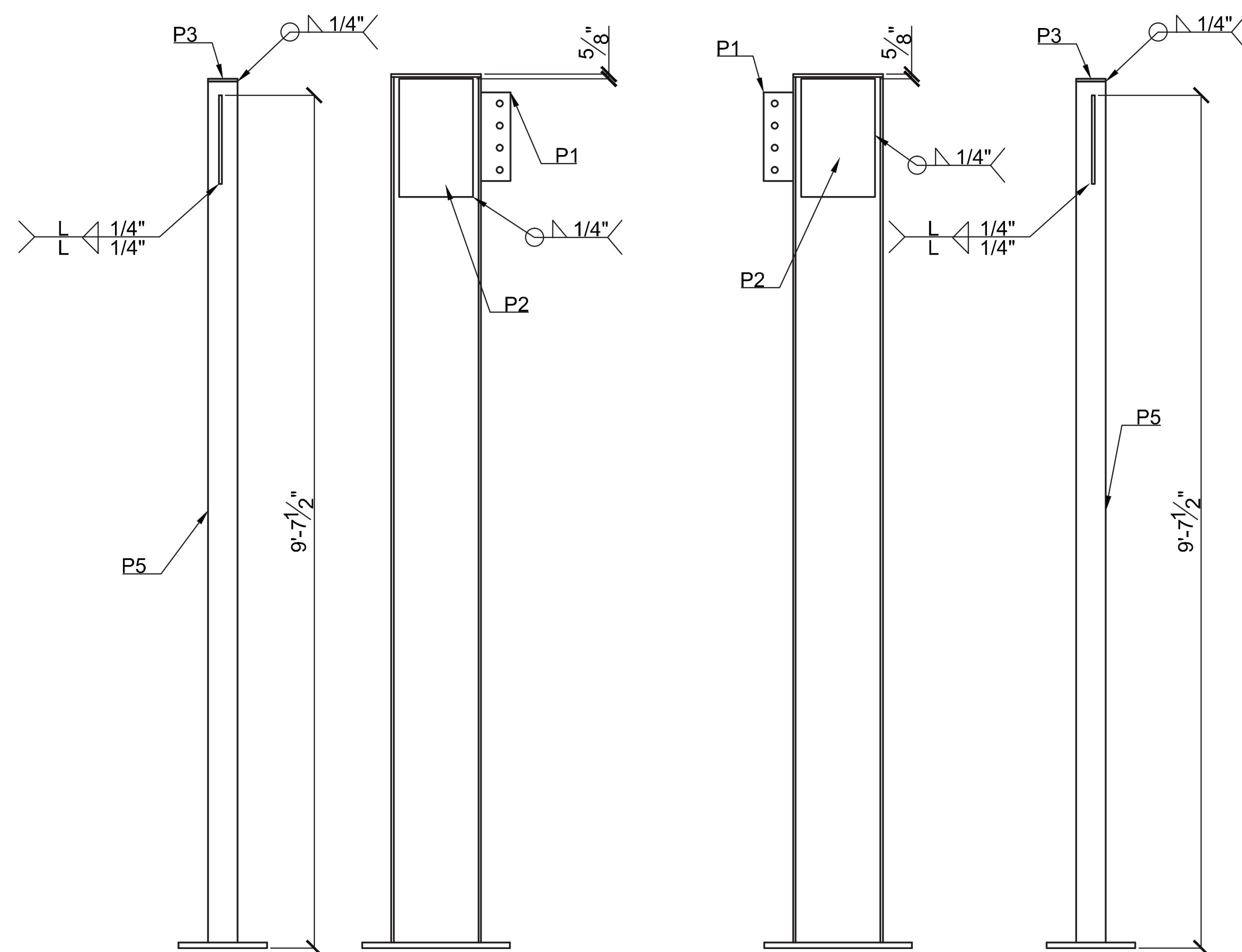
APPROVERS NOTE:
 APPROVER, PLEASE VERIFY ALL DIMENSIONS, ELEVATIONS AND
 CONDITIONS. ALSO PROVIDE UNKNOWN OR MISSING INFORMATION.
 FABRICATOR TO FIELD VERIFY PRIOR TO FABRICATION.

REV	DESCRIPTION	DATE
A	FOR APPROVAL	5.10.19
B	FOR APPROVAL	5.20.19

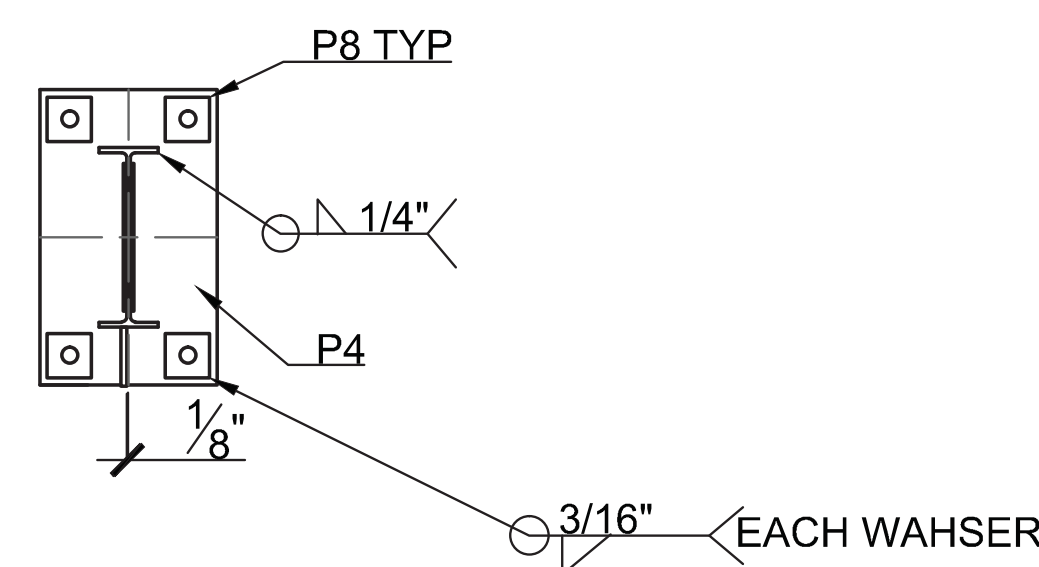
DESCRIPTION	DATE DRAWN	DRAWN BY
COLUMN AND BEAM PLAN	5.13.19	BV
		CHECKED BY
		JH
TOMROOK STEEL		
149 PARRISH BLVD. BARDSTOWN, KY 40004 PH. (502) 349.9126		
CONTRACTOR	LOCATION	
JENKINS AND ESSEX	HODGENVILLE, KY	
PROJECT NAME	DETAILING CO.	ENGINEER
PHYSICAL THERAPY ASSOCIATES	TOMROOK	KPFF
REF No.	SCALE	
JOB No.	DRG No.	REV
	E1	

BILL OF MATERIALS

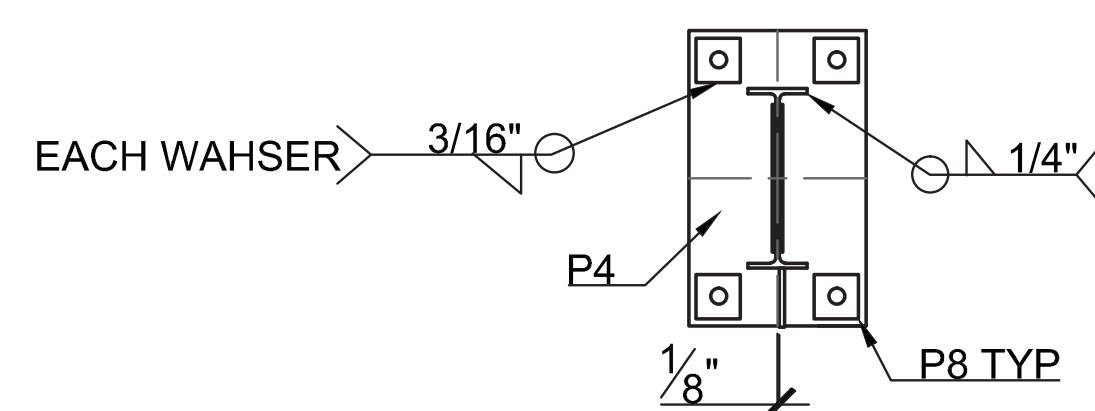
MARK	QTY	DESCRIPTION	LENGTH	WEIGHT	REMARKS
P1	2	FB 3/8" x 4"	12"	10	A36
P2	4	FB 3/8" x 10"	16"	34	A36
P3	6	FB 3/8" x 4"	12"	30	A36
P4	2	FB 3/4" x 12"	20"	102	A36
P5	2	W12 X 19	9'-8 5/8"	367	ASTM 992
P6	1	W16 X 26	19'-7 1/2"	510	ASTM 992
P7	8	FB 5/16" X 3"	3"	8	A36
TOTAL WEIGHT FOR THIS DRAWING				1061	



1B1
QTY - 1

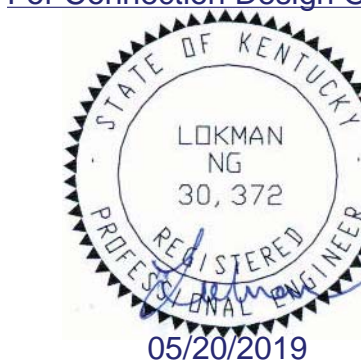


1C1
QTY - 1



1C2
QTY - 1

For Connection Design Only



GENERAL NOTES

ALL W SHAPES TO BE ASTM 992
 ALL CHANNEL, ANGLES, PLATE, BAR, M & S SHAPES TO ASTM 36
 ALL TS/HSS TO BE ASTM A500 GRADE B
 ALL PIPE TO BE ASTM A53 TYPE E GRADE B
 ALL WELDING ELECTRODES TO BE E70XX
 CLEANING: SSPC-SP3
 INT. FINISH: SG STD. GRAY PRIMER
 ALL BOLTS, NUT & WASHERS: A325

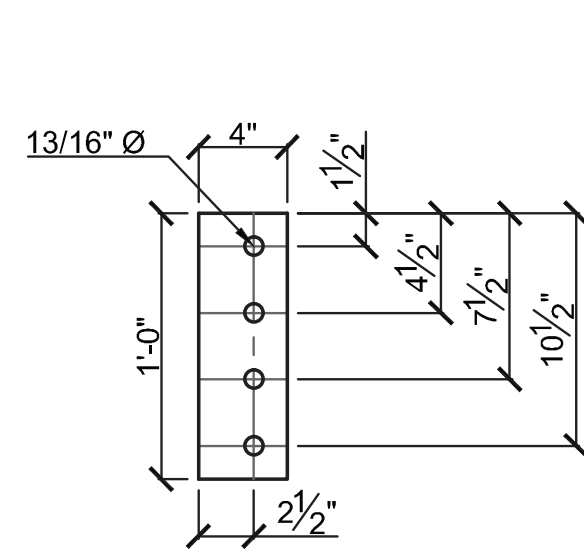
DESCRIPTION: COLUMNS AND BEAM DATE DRAWN: 5.13.19 DRAWN BY: BV CHECKED BY: JH

TOMROOK STEEL

149 PARRISH BLVD.
 BARDSTOWN, KY 40004
 PH. (502) 349.9126

CONTRACTOR: JENKINS AND ESSEX LOCATION: HODGENVILLE, KY
 PRODUCT NAME: PHYSICAL THERAPY ASSOCIATES ENGINEER: KPFF

REV	DESCRIPTION	DATE	SCALE
A	FOR APPROVAL	5.10.19	KPFF
B	FOR APPROVAL	5.20.19	1



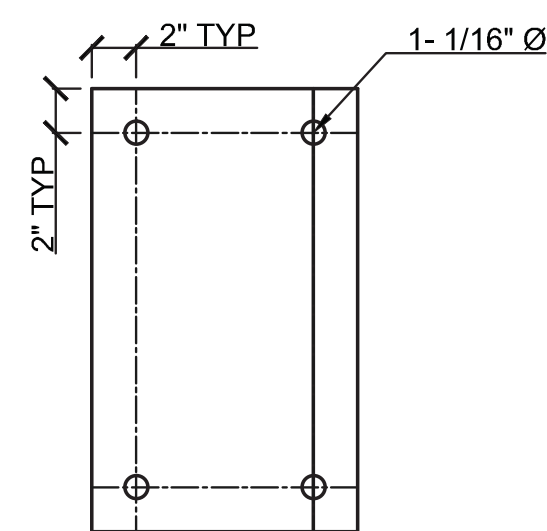
P1 - FB $\frac{3}{8}$ " x 4" x 12"
QTY - 2



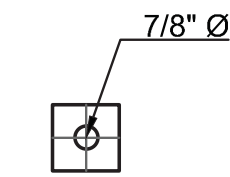
P2 - FB $\frac{3}{8}$ " x 10" x 16"
QTY - 4



P3 - FB $\frac{3}{8}$ " x 4" x 12"
QTY - 6



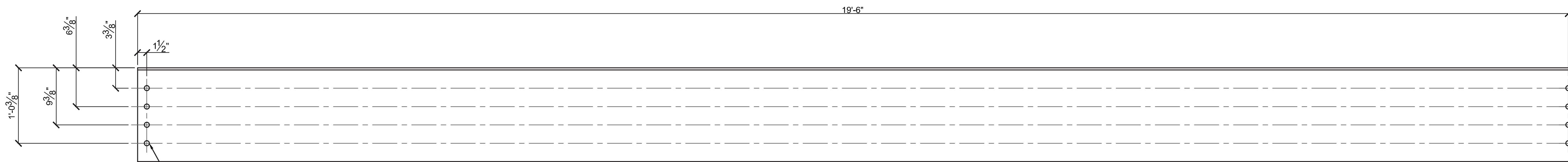
P4 - FB $\frac{3}{4}$ " x 12" x 20"
QTY - 2



P8 - FB $\frac{5}{16}$ " x 3" x 3"
QTY - 24



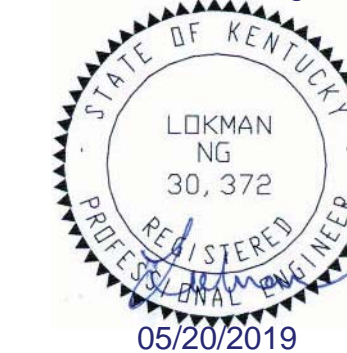
P5 - W12 x 19 x 9'-8 $\frac{5}{16}$ "
QTY - 2



P6 - W16 x 26 x 19'-7 $\frac{1}{2}$ "
QTY - 1

(4) 3/4" A325N-SC BOLTS

For Connection Design Only



GENERAL NOTES

ALL W SHAPES TO BE ASTM 992
ALL CHANNEL, ANGLES, PLATE, BAR, M & S SHAPES TO ASTM 36
ALL TS/HSS TO BE ASTM A500 GRADE B
ALL PIPE TO BE ASTM A53 TYPE E GRADE B
ALL WELDING ELECTRODES TO BE E70XX
CLEANING: SSPC-SP3
INT. FINISH: SG STD. GRAY PRIMER
ALL BOLTS, NUT & WASHERS: A325

DESCRIPTION: GATHER DATE DRAWN: 5.13.19 DRAWN BY: BV CHECKED BY: JH

TOMROOK STEEL

149 PARRISH BLVD.
BARDSTOWN, KY 40004
PH. (502) 349.9126

CONTRACTOR: JENKINS AND ESSEX LOCATION: HODGENVILLE, KY
PROJECT NAME: PHYSICAL THERAPY ASSOCIATES

REV	DESCRIPTION	DATE	DETAILING CO	ENGINEER
A	FOR APPROVAL	5.10.19	TOMROOK	KPFF
B	FOR APPROVAL	5.20.19		