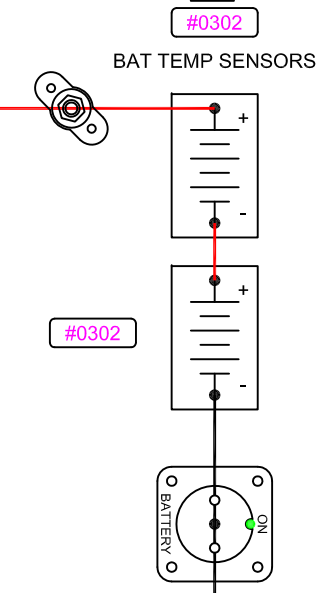
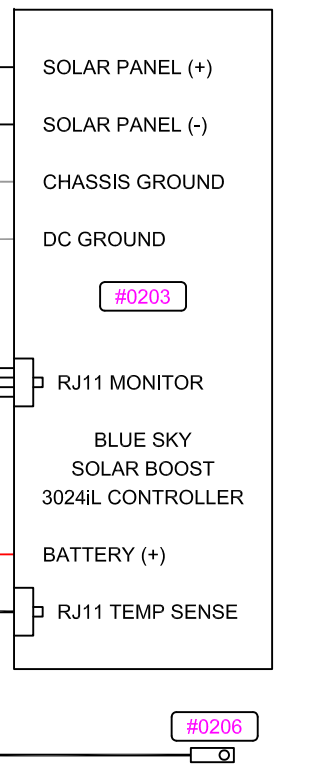
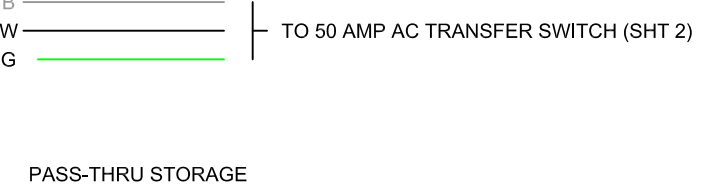
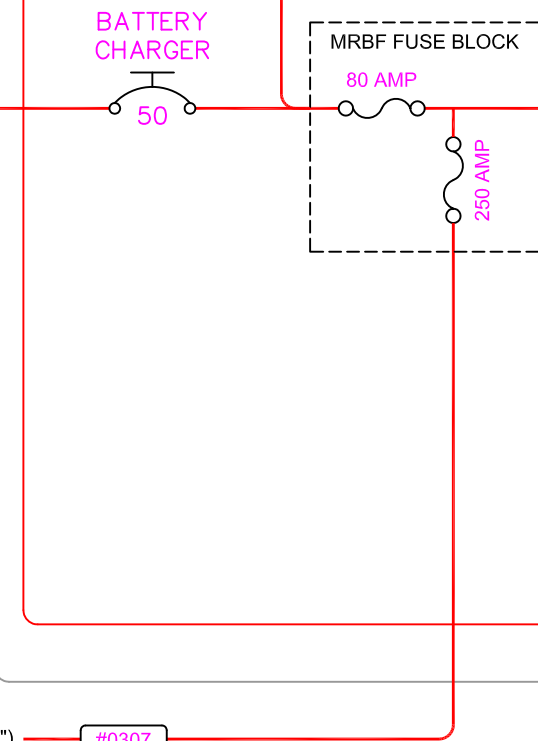
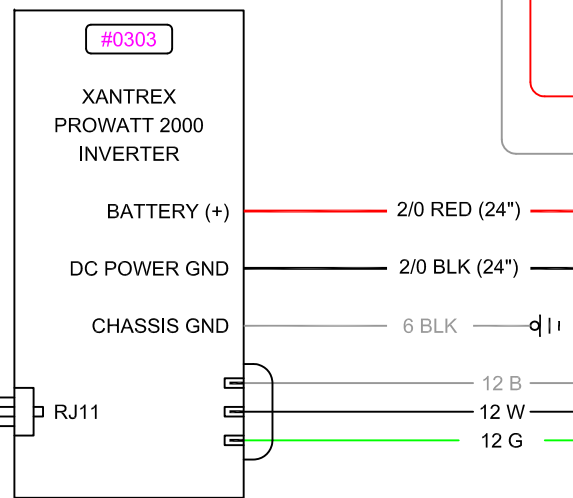
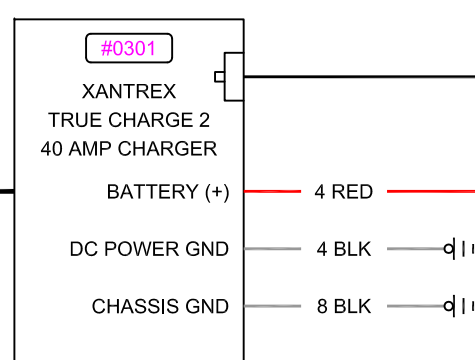
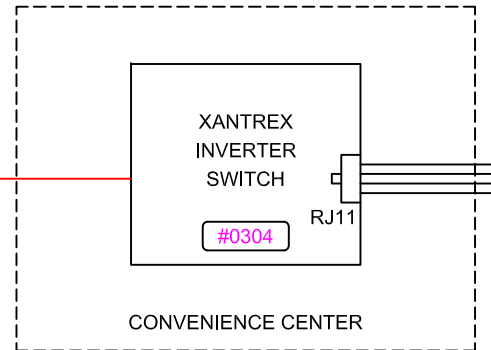
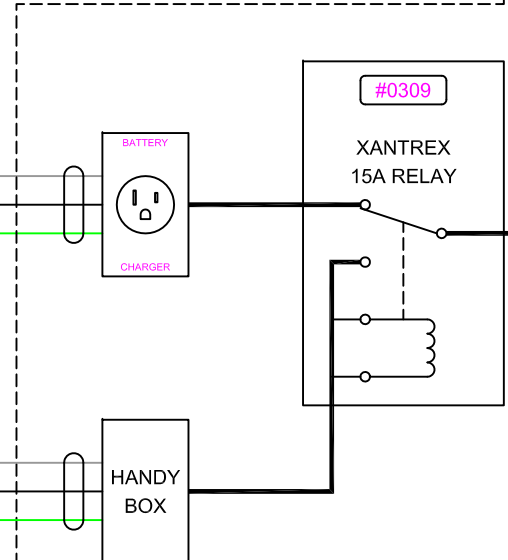
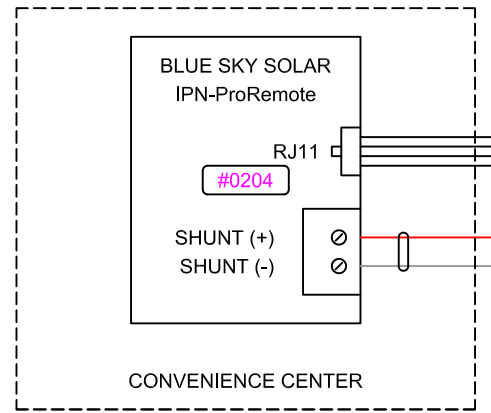
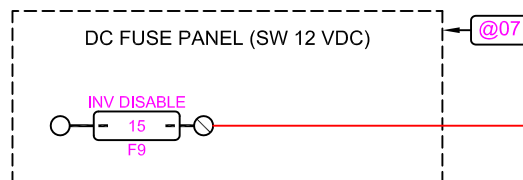
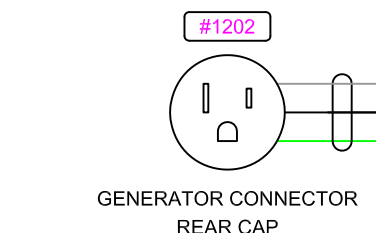
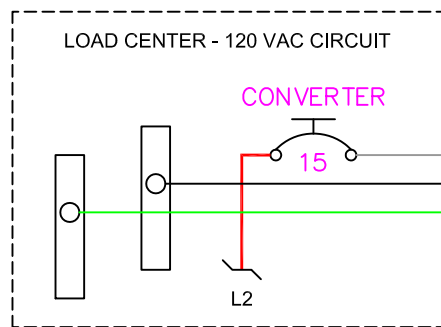
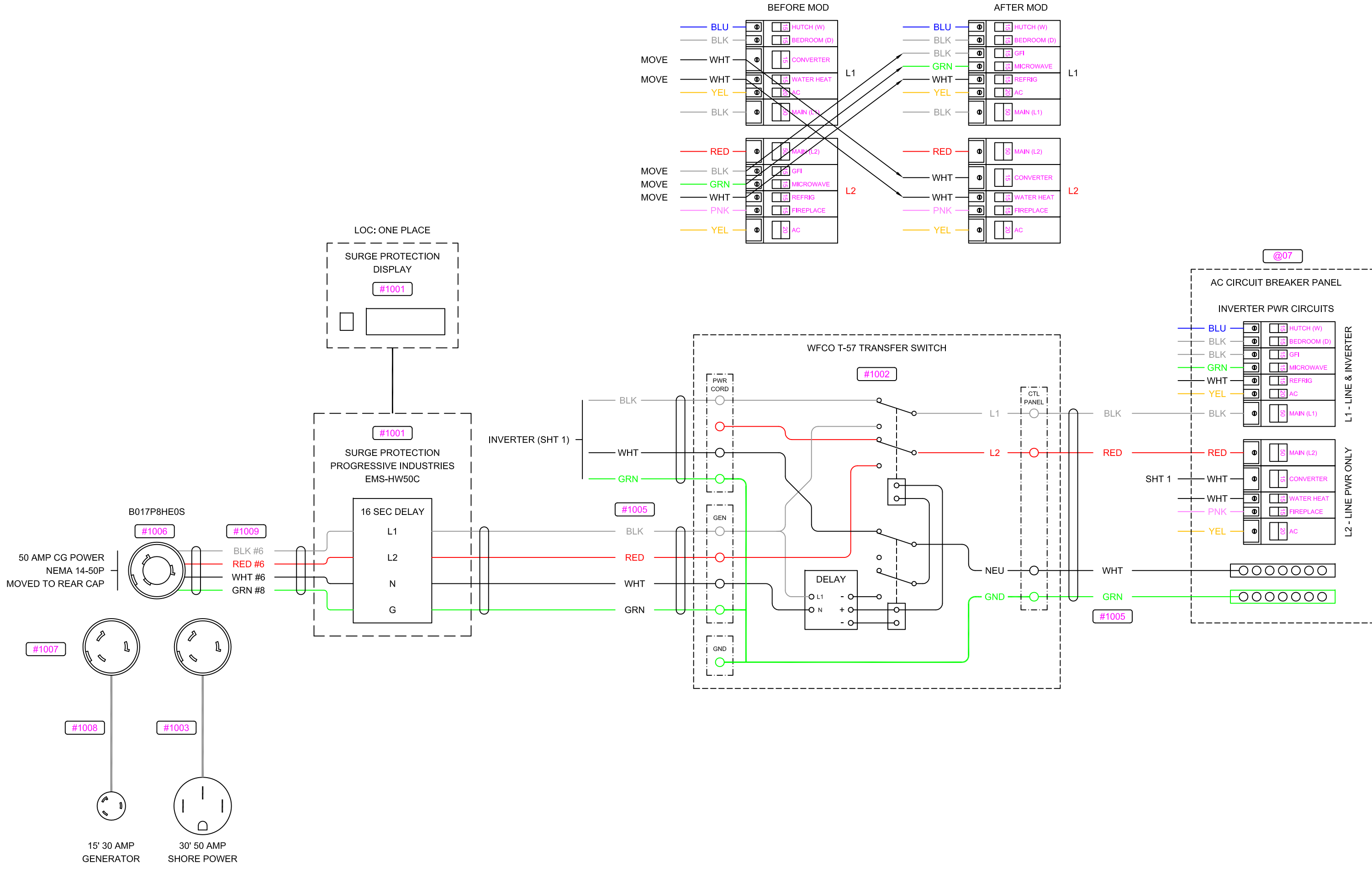
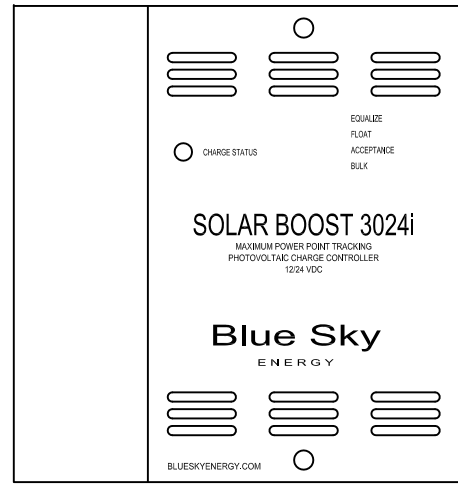


TO VIEW THE PARTS LIST FOR THE [#XXXX]
SYMBOLS USED IN THIS DRAWING, SELECT
MOD PARTS FROM THE MENU OR BUTTON
FROM THE WEB PAGE.

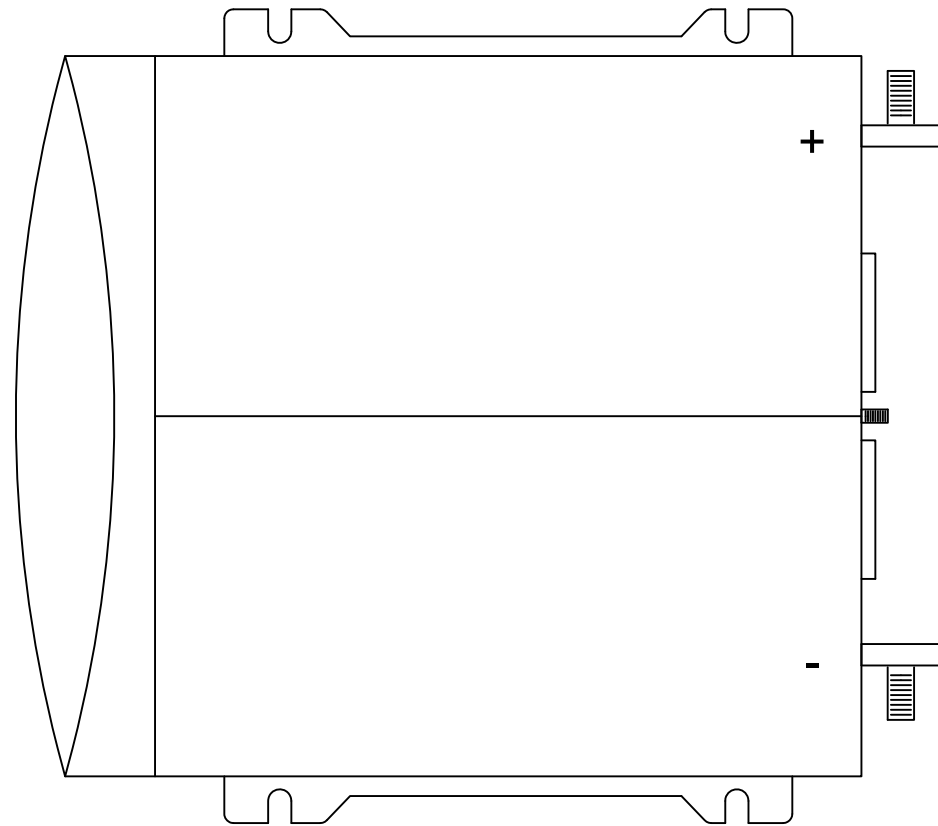




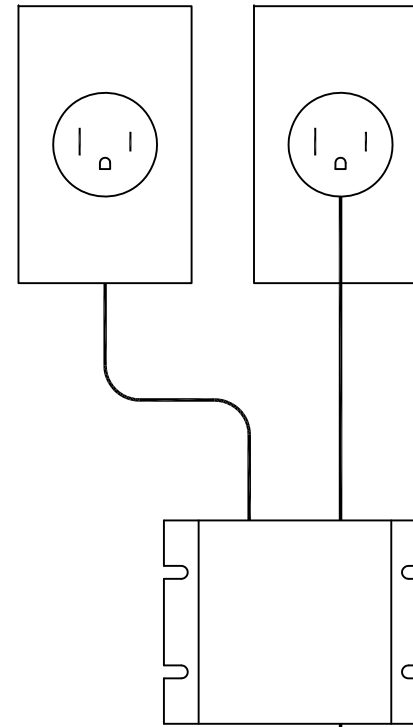
SOLAR CONTROLLER



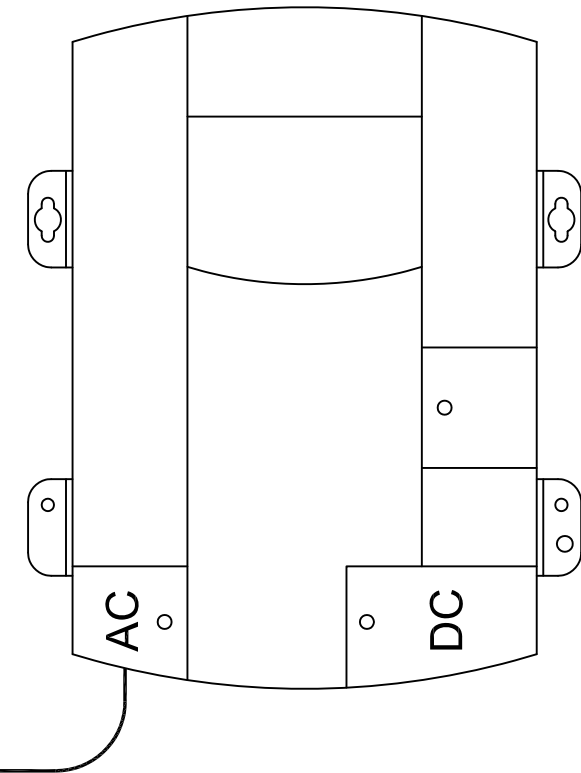
INVERTER



15 AMP RELAY



BATTERY CHARGER



L.H. FRONT PASS-THRU STORAGE (LOOKING FWD)

