

Model BFM Series—High Flow Multi-Bag Filter Housings



Model BFM Series High Flow Multi-Bag Filter Housings

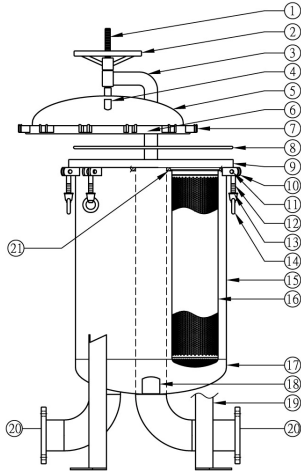
Large-volume, cost-effective filter housings suitable for pressure up to 150 psi and flow rate up to 2,400 gpm

Description

| | |
|----------------------------------|---|
| Product: | Model BFM Series—High Flow Multi-Bag Filter Housings |
| Applications: | Large-volume applications |
| Configuration: | Multiple bags |
| Material of Construction: | Stainless steel construction (SS304, SS316, SS316L) |
| Inlet Outlet Connections: | 1"-12" (NPT, ANSI 150 flange) |
| Flow Rate: | Up to 2,400 gpm |
| Max. Pressure: | 150 psi |
| Temperature: | 210 °F |
| Surface finish: | Electropolished |
| Closure Mechanism: | Davit arms, integrated hand wheels, and eyebolt fastened design |
| Seal type: | O-Rings (BUNA, EPDM, VITON, PTFE encapsulate VITON) |
| Bag Size: | NO. 2 |
| Bag Basket: | Stainless steel bag baskets (SS304, SS316, SS316L) |
| Leg Support: | Stainless steel leg support (SS304), low profile models available |
| Inlet outlet position: | Bottom in and out, side in and bottom out, or side in and out |
| Customizations: | Connection sizes and other standards (JIS, DIN) are available |
| Recommended Spare Parts: | O-Rings, Bag Baskets, Bag Hold-down Rings |
| Accessories: | Bag Positioners, Displacement Ballons |



Model BFM Series—High Flow Multi-Bag Filter Housings



| NO | Description | NO | Description |
|----|------------------|----|---------------------|
| 1 | Screw | 12 | Eye Bolt |
| 2 | Hand Wheel | 13 | Spacer |
| 3 | Davit Arm | 14 | Eye Nut |
| 4 | Port Vent | 15 | Shell |
| 5 | Top Cover | 16 | Bag Basket |
| 6 | Top Cover Flange | 17 | Bottom Cover |
| 7 | Eye Nut Socket | 18 | Port Drain |
| 8 | O-Ring | 19 | Leg Support |
| 9 | Shell Flange | 20 | Port Inlet & Outlet |
| 10 | Eye Bolt Socket | 21 | Bag Hold-down Ring |
| 11 | Hinge | | |

How to order

| Product Codes | | | | | | | |
|---------------|----------|-------------|-----------|-------------------|-----------------|-----------------|--------------|
| BFM- | A- | 06- | 02- | A- | 150- | 030- | 1200- |
| | Material | No. of Bags | Bag Size | Connection Type | Pressure Rating | Connection Size | Flow Rate |
| | A-SS304 | 02 | 02- No. 2 | A-ANSI 150 Flange | 150-150 psi | 010-1" | 0400-400 gpm |
| | B-SS316 | 03 | | N-NPT | | 025-2 1/2" | 0600-600 |
| | C-SS316L | | | | | | |
| | | 12 | | | | 120-12" | 2400-2400 |

| Product Codes (Continued) | | | |
|---|---|--|---|
| E - | B- | D- | N |
| O-ring | Port Position | Suspension | ASME Code |
| B-BUNA E-EPDM V-VITON P-PTFE W/VITON | B-Bottom in & out SB-Side in & Bottom out S-Side in & out | D-Davit Arm & Hand Wheel S-Counter-balanced Spring SQ-Counter-balanced Spring & Quick Lock | N-No A-YES, No Stamps AU-YES, "U" Stamp |

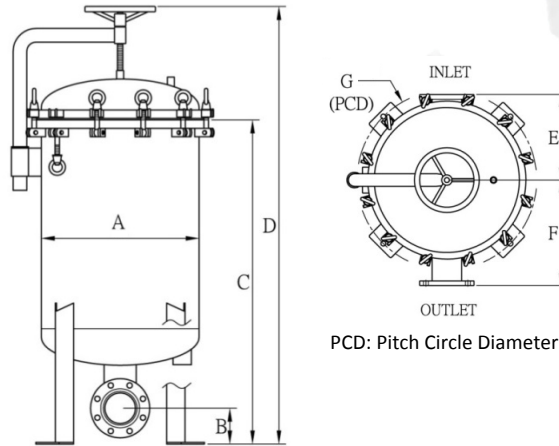
Example: BFM-A-06-02-A-150-030-1200-E-B-D-N

| Accessory Codes & Spare Parts Codes | | | | |
|-------------------------------------|------------------------------|---|-----------|---|
| BFM | A- | B- | 02- | BP |
| | Category | Material | Bag Size | Type |
| | A-Accessory B-Spare Parts | A-SS304 B-SS316 C-SS316L | 02- No. 2 | BP -Bag Positioner DB-Displacement Balloon BK -Bag Basket BR -Bag Hold-down Ring |
| | | B-BUNA E-EPDM V-VITON P-PTFE W/VITON | | OR-O-Rings |

Example: BFMA-B-02-BP

Model BFM Series—High Flow Multi-Bag Filter Housings

Dimensions



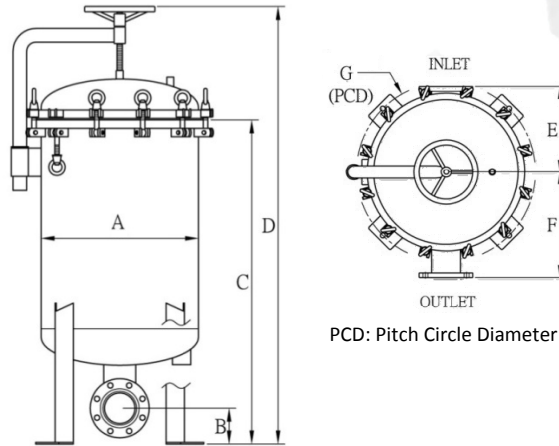
PCD: Pitch Circle Diameter

Inch
[mm]

| No. of Bags | Conne- ction Size | Flow Rate | Dimensions | | | | | | | Weight | Volume |
|-------------|----------------------|-----------|-----------------|----------------|--------------|--------------|-----------------|-----------------|-----------------|--------|--------|
| | | | A | B | C | D | E | F | G | | |
| NO | Inch | GMP | | | | | | | | Lbs | Gal |
| 2 | 3 | 400 | 15-3/4 [406] | 4-1/4 [108] | 41 [1053] | 56 [1423] | 10 [254] | 12-3/4 [330] | 20-1/4 [516] | 214 | 30.6 |
| 2 | 4 | 400 | 15-3/4 [406] | 5 [127] | 43 [1112] | 58 [1482] | 11-1/4 [292] | 14-1/4 [368] | 20-1/4 [516] | 225 | 30.9 |
| 3 | 3 | 600 | 20 [508] | 4-1/4 [108] | 42 [1078] | 58 [1485] | 13-1/2 [343] | 13-1/2 [343] | 24-1/4 [618] | 276 | 49.7 |
| 3 | 4 | 600 | 20 [508] | 5 [127] | 44 [1137] | 60 [1544] | 13-1/2 [343] | 15 [381] | 24-1/4 [618] | 287 | 49.9 |
| 4 | 3 | 800 | 22 [560] | 4-1/4 [108] | 42 [1083] | 58 [1493] | 12-3/4 [330] | 14-1/4 [368] | 27-1/2 [704] | 355 | 64.5 |
| 4 | 4 | 800 | 22 [560] | 5 [127] | 44 [1142] | 61 [1552] | 12-3/4 [330] | 16 [407] | 27-1/2 [704] | 373 | 64.7 |
| 4 | 6 | 800 | 23-1/2 [600] | 5-3/4 [152] | 49 [1247] | 65 [1662] | 14 [356] | 20-1/4 [520] | 29-1/4 [744] | 454 | 73.7 |
| 5 | 3 | 1000 | 22 [560] | 4-1/4 [108] | 42 [1083] | 58 [1493] | 12-3/4 [330] | 14-1/4 [368] | 27-1/2 [704] | 353 | 64.5 |
| 5 | 4 | 1000 | 22 [560] | 5 [127] | 44 [1142] | 61 [1552] | 12-3/4 [330] | 16 [407] | 27-1/2 [704] | 364 | 73.4 |
| 5 | 6 | 1000 | 23-1/2 [600] | 5-3/4 [152] | 49 [1247] | 65 [1662] | 14 [356] | 20-1/4 [520] | 29-1/4 [744] | 454 | 65.0 |
| 6 | 3 | 1200 | 23-1/2 [600] | 4-1/4 [108] | 42 [1088] | 59 [1503] | 14 [356] | 14-1/4 [368] | 29-1/4 [744] | 437 | 73.1 |
| 6 | 4 | 1200 | 23-1/2 [600] | 5 [127] | 45 [1147] | 61 [1562] | 14 [356] | 16 [407] | 29-1/4 [744] | 445 | 73.4 |
| 6 | 6 | 1200 | 23-1/2 [600] | 5-3/4 [152] | 49 [1247] | 65 [1662] | 14 [356] | 20-1/4 [520] | 29-1/4 [744] | 454 | 73.7 |
| 7 | 3 | 1400 | 30 [762] | 4-1/4 [108] | 44 [1133] | 70 [1783] | 15-3/4 [406] | 16 [407] | 37-3/4 [962] | 948 | 129 |

Model BFM Series—High Flow Multi-Bag Filter Housings

Dimensions



Inch
[mm]

| No. of Bags | Connection Size | Flow Rate | Dimensions | | | | | | | Weight | Volume |
|-------------|-----------------|-----------|------------|-------|--------|--------|--------|--------|--------|--------|--------|
| | | | No | Inch | GMP | A | B | C | D | | |
| 7 | 4 | 1400 | 30 | 5 | 46 | 72 | 15-3/4 | 18 | 37-3/4 | 970 | 129 |
| | | | [762] | [127] | [1192] | [1842] | [406] | [458] | [962] | | |
| 7 | 6 | 1400 | 30 | 5-3/4 | 51 | 76 | 15-3/4 | 20-1/2 | 37-3/4 | 992 | 130 |
| | | | [762] | [152] | [1297] | [1947] | [406] | [521] | [962] | | |
| 7 | 8 | 1400 | 30 | 7 | 55 | 80 | 17 | 22 | 37-3/4 | 970 | 130 |
| | | | [762] | [184] | [1398] | [2048] | [432] | [559] | [962] | | |
| 8 | 4 | 1600 | 30 | 5 | 46 | 70 | 17 | 17 | 37-3/4 | 992 | 129 |
| | | | [762] | [127] | [1192] | [1783] | [432] | [432] | [962] | | |
| 8 | 6 | 1600 | 30 | 5-3/4 | 51 | 72 | 17 | 22 | 37-3/4 | 992 | 130 |
| | | | [762] | [152] | [1297] | [1842] | [432] | [559] | [962] | | |
| 8 | 8 | 1600 | 30 | 7 | 55 | 80 | 17 | 24 | 37-3/4 | 1014 | 130 |
| | | | [762] | [184] | [1398] | [2048] | [432] | [615] | [962] | | |
| 9 | 6 | 1800 | 32 | 5-3/4 | 51 | 77 | 17-3/4 | 22 | 39 | 1146 | 149 |
| | | | [813] | [152] | [1307] | [1972] | [457] | [559] | [1013] | | |
| 9 | 8 | 1800 | 32 | 7 | 55 | 81 | 17-3/4 | 22 | 39 | 1164 | 150 |
| | | | [813] | [184] | [1408] | [2073] | [457] | [559] | [1013] | | |
| 10 | 6 | 2000 | 34 | 5-3/4 | 52 | 79 | 19 | 23-3/4 | 41 | 1301 | 175 |
| | | | [864] | [152] | [1327] | [2012] | [483] | [609] | [1064] | | |
| 10 | 8 | 2000 | 34 | 7 | 56 | 83 | 19 | 22-3/4 | 41 | 1323 | 175 |
| | | | [864] | [184] | [1428] | [2113] | [483] | [584] | [1064] | | |
| 10 | 10 | 2000 | 37-3/4 | 8-1/2 | 61 | 89 | 20-3/4 | 27 | 47 | 1576 | 226 |
| | | | [965] | [216] | [1557] | [2267] | [533] | [686] | [1215] | | |
| 12 | 8 | 2400 | 37-3/4 | 7 | 57 | 84 | 20-3/4 | 23-1/2 | 47 | 1598 | 225 |
| | | | [965] | [184] | [1448] | [2158] | [533] | [597] | [1215] | | |
| 12 | 10 | 2400 | 37-3/4 | 8-1/2 | 61 | 89 | 20-3/4 | 27 | 47 | 1620 | 226 |
| | | | [965] | [216] | [1557] | [2267] | [533] | [686] | [1215] | | |

All dimensions are nominal and rounded to 1/4" in the format of inch[mm]