

TRP International, LLC.



Throughout this catalog a TRP Service Mark appears next to those products manufactured by TRP.

CONTENTS


Company Profile

| | |
|----------------------------------|---|
| TRP International, LLC | 2 |
|----------------------------------|---|

Subsidiary Profiles

| | |
|-------------------------------------|---|
| TRP Distribution | 3 |
| GVS Technologies, LLC | 4 |
| GVS Agricultural Division | 5 |

Products

| | |
|--|-------|
| Butt Weld Style Spindles | 6 |
| Hot Forged Integrated Flange | 6 |
| Hot Forged Straight | 6 |
| Bar Stock | 6 |
|  Hot Forged Integrated Flange Drop Spindles | 7 |
| Round Bar Stock Spindles | 8 |
| Square Bar Stock Spindles | 9 |
| Hot Forged Drop Boat Trailer Spindle | 10 |
| Brake Flanges | 11 |
| Spindle Fasteners & Accessories | 12 |
| Dust Caps – Rubber Plug | 13 |
| Tapered Roller Bearings | 14 |
| Grease Seals | 15 |
| Brake Drums | 16 |
| Idler Hubs | 17 |
| Hydraulic Brakes | 18 |
| Electric Brakes | 19 |
| Leaf Springs | 20-21 |
| U-Bolt Tie Plates | 22-23 |
| Spring Seats | 24 |
| Shackle Links | 25 |
| Cast Equalizers | 26 |
| Spring Hangers – 1 ³ / ₄ " Wide Springs | 27 |
| Steel Fabricated Equalizers – 2" Wide Springs | 28 |
| Spring Hangers – 2" Wide Springs | 29 |
| 10k General Duty Spring Hangers – 2.5" Wide Springs | 30 |
| 10k General Duty Steel Fabricated Equalizers – 2.5" Wide Springs | 31 |
| Suspension Fasteners | 32 |
| U-Bolts | 33 |
| Mobile Home Axle Products | 34-35 |
| Leaf Spring Bushings – Mobile Home Rim Clamps | 36 |
| Shock Absorber – Shock Tie Plates & Mounting Brackets | 37 |

| | |
|---|-------|
| <i>Reference Guide for Hub Components & Axle Components</i> | 38-47 |
| <i>TruWeld-6 Weld Wire</i> | 48 |
| <i>Secondary Custom Operations – Custom Manufactured Components</i> | 49 |
| <i>International Supplier Partners</i> | 50 |



Formed in 1992, TRP International, LLC. is a diversified manufacturing and distribution corporation. At TRP we talk about “filling in the white space” as a way of growing the company. This strategy allows us to expand our product offerings, participate in new market segments, and maintain a competitive



position while staying close to the things we know. We accomplish this by introducing new products, enhancing current product lines, partnering with other companies or by making acquisitions. Whatever path we take, our goal is to provide our customers with an expansive line of quality products distributed on schedule at competitive prices with responsive and professional service.

Through the TRP group of companies and global partners we provide products to a variety of ground transportation equipment industries. By leveraging our expertise in the areas of Engineering, Manufacturing, International Trade and Distribution combined with a commitment to ongoing investments in technology and people, our objective is to share in the success of our customers by helping them maximize their efficiency while minimizing costs.

Engineering – Our engineering staff has experience in various design and manufacturing environments including leaf springs, tapered roller bearings, closed-die forgings, metal stampings, and CNC machining. Our resources include professional mechanical, quality, and metallurgical engineers. With these skills we are striving every day to improve the overall cost and quality of the products we offer. TRP has a focus on continuous improvement that is reflected in investments in computer aided design (CAD) software, and a coordinate measuring machine (CMM). These tools help our engineers assist you in making the right choice for your components.

Manufacturing – The TRP companies take pride in the capability and efficiency of each piece of equipment used to manufacture our products. Recent investments in a new Programmable CMM, three new Live Tool Lathes, a 400mm Horizontal Machining Center, a 500mm Horizontal Machining Center, as well as a new Drill and Tap Machining Center are just a sampling of the investments made for the improvement of manufacturing. We strive to incorporate lean principles to keep costs down in our production facilities. Our charter is to “find waste and eliminate it”. Each facility takes pride in shipping quality products and maintains a quality system that builds the framework for verifying that we meet customer specifications.



International Trade – With over 22 years of international trade experience and qualified TRP personnel working through liaison offices in Italy and China we have the expertise necessary to communicate, consult, coordinate and execute the many facets of importing products to North America from abroad.

Distribution – With state of the art technology for order processing and fulfillment combined with strategically located distribution centers, we can effectively serve the requirements of customers from coast to coast in the U.S., as well as Canada and Mexico. Our constant attention to logistics and evaluation of carrier performance and pricing, assures the most efficient, cost effective shipping methods resulting in faster delivery and lower total product costs.





TRP Distribution



TRP Distribution is a major supplier of axle and suspension components to light and medium duty trailer axle manufacturers, trailer parts distributors, and trailer builders. It functions as the marketing and sales organization for the TRP subsidiary company, GVS Technologies, LLC. In addition TRP Distribution is the exclusive distributor in North America of leaf springs for Rockwell American Manufacturing, USA and steel forgings for Ghioni & Valaperta, Italy.



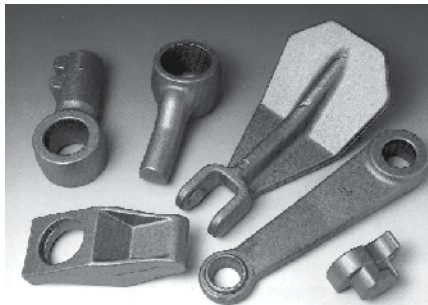
With strategically located distribution centers throughout the United States the products are closer to the customer helping to minimize transit times and shipping costs as well as shortening the material planning cycle. Customer requirements are fulfilled utilizing a state of the art networked system linking the distribution centers. This enables us to process orders efficiently, with greater accuracy, and usually within one business day.

Whether through domestically manufactured products from TRP International's subsidiary company or products sourced internationally through our global partners, TRP Distribution has a significant commitment to inventory. This commitment assures the customer of their requirements being met in the time frame desired.

CUSTOM FORGING DIVISION – Ghioni & Valaperta is located in the small town of Erba in Northern Italy. A manufacturer of custom closed die steel forgings, G&V ships forgings throughout the world. This family owned business of over 40 years supplies forgings and finished components to world-class industrial companies including GKN, Daimler-Chrysler, Audi and Volkswagen. G&V has positioned itself as a world-class forging supplier, combining unique technology and equipment with highly skilled and experienced employees. Together, G&V and TRP International have forged a secure business relationship dating back to 1992. G&V selected TRP as its North American distributor and product representative because of TRP's solid reputation in the trailer industry.



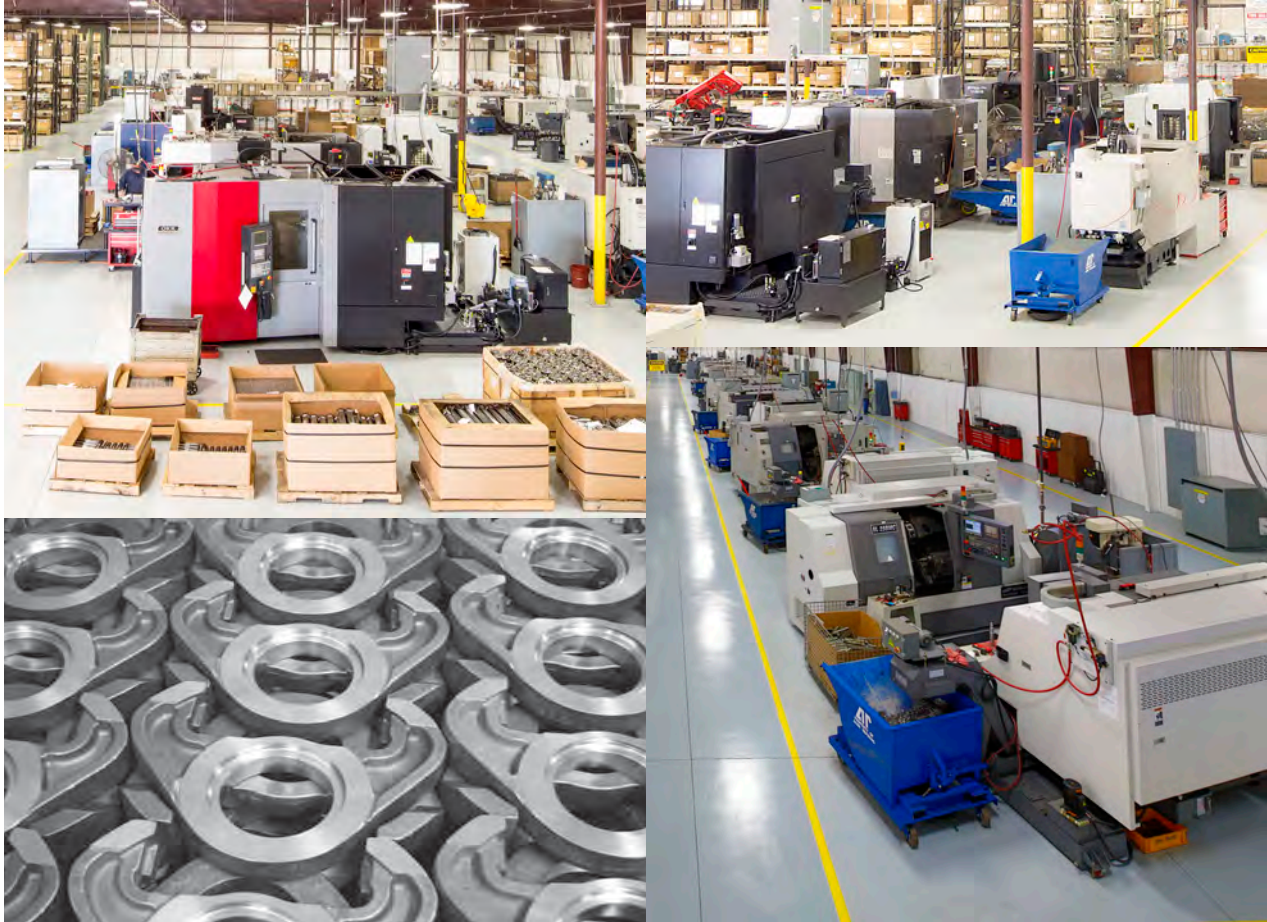
Through combined sales and engineering efforts supported by a broad domestic manufacturing and distribution base, TRP and G&V supply unparalleled quality forgings to customers in North



America. TRP and G&V value added capabilities grew in 1999 with the acquisition of GVS Technologies, a production machining business located in Elkhart, Indiana. The facility is equipped with highly capable, state of the art machinery that is always upgraded which allows GVS to consistently improve the quality of each component produced.

GVS Technologies is our world class production machining company located in Elkhart, Indiana. The team at GVS has many years of valuable experience in machining a wide variety of axle and suspension components for the light and medium duty trailer industry. Axle spindles are the major product line ranging in diameters up to 5 inches and lengths exceeding 27 inches. These spindles can be machined from straight and drop hot forgings or hot rolled and cold drawn bar stock using the most advanced CNC lathes, live tool lathes, vertical mills, horizontal machining centers, and heat induction bending.

Spindles can be machined complete with an assortment of nut anti-rotation devices (e.g. cotter pins, D-flats, slots) lubrication passages and fittings, and welded brake flanges. GVS is also capable of machining to customer supplied custom designs. Control of raw materials and continuous monitoring and improvements in production processes insure consistent product quality.



PROCESS CAPABILITIES

- | | |
|--|---|
| <ul style="list-style-type: none"> • Cut to Length (bar, tube, rod, angle) • Turning - CNC Lathes • Turning - Automatic Lathes (single spindle) • Milling - Automatic (horizontal and vertical) • Drilling - Automatic (deep, cross, center) • Thread Forming | <ul style="list-style-type: none"> • Rotary Welding (MIG) • Manual Welding (MIG) • Assembly • Tapping • Counter Boring • Porting • Induction Heating and Bending |
|--|---|

REPRESENTATIVE PRODUCTS

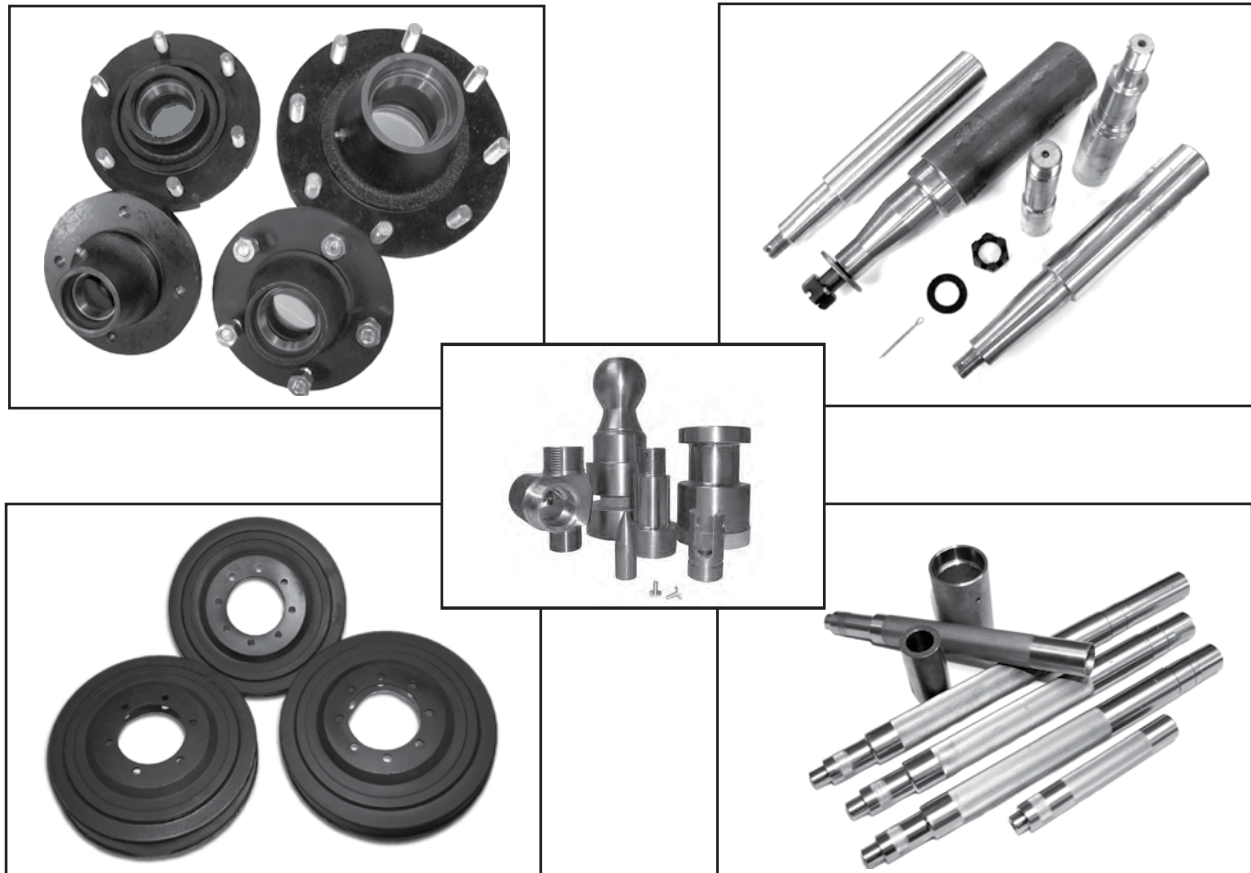
- | | | |
|--|--|---|
| <ul style="list-style-type: none"> • Spindles • Generator Shafts • King Pins • Axle Shafts • Tank Flanges | <ul style="list-style-type: none"> • Double Ended Spindles • Bent Spindles • Torsion Spindles / Torsion Arms • Torsion Inner Bar | <ul style="list-style-type: none"> • Bearing Housings • Valve Bodies • Suspension Blocks • Bushings • Motor Mounts |
|--|--|---|

Please direct your inquiries to your TRP International Sales Executive.

GVS Agricultural Division is a supplier of spindles, hubs, bearings, grease seals, dust caps and other related components to the agricultural market.

By combining our domestic manufacturing capabilities at GVS Technologies (see opposing page) with our international trade expertise at TRP International, we provide a broad range of high quality, competitively priced components to the agricultural market. Through our strategically located distribution center in Elkhart, IN. we have the product in stock and available for immediate shipment. Spindle products are manufactured to specific customer requirements and generally require a 2-3 week lead time to produce. Our exceptional staff of customer service personnel are prepared to assist with order entry, shipping logistics, and directing related customer inquiries to the appropriate individuals.

While we are committed to carrying an extensive inventory of the most popular items, we have the resources in place to work with customer supplied design products as well. Please direct your inquiries to your GVS Agricultural Division sales executive or customer service contact.

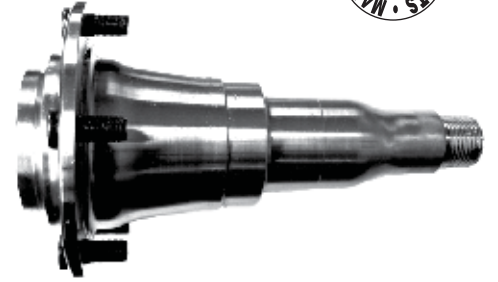
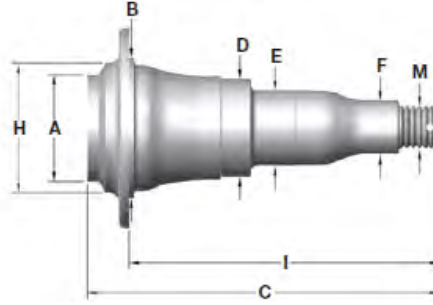


The above images are representative of the products available through GVS Agricultural Division. Information pertaining to the individual product specifications, packaging details, and part numbers can be viewed in a separate catalog available through your sales executive or customer service contact.



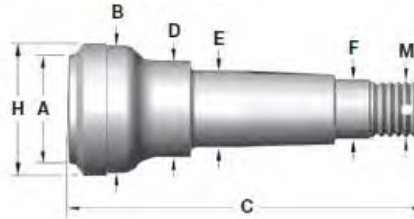


HOT FORGED INTEGRATED FLANGE

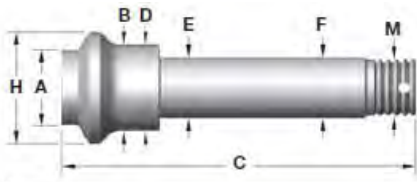


| DESCRIPTION | | | | DIMENSIONS | | | | | | | |
|--------------------------|---------|-----------|----------|------------|-------|-------|-------|--------|--------|-------|-------|
| PART NO. | SPINDLE | CAPACITY | UNIT WT. | A | B | C | D | E | F | H | I |
| <i>SP-HF-IF-84L</i> | #84 | 1,750 lb. | 3.29 lb. | 1.95" | 3.00" | 6.35" | 1.72" | 1.376" | 1.062" | 2.45" | 5.36" |
| <i>SP-HF-IF-8455</i> | #84 | 1,750 | 3.97 | 2.55" | 3.00" | 6.35" | 1.72" | 1.376" | 1.062" | 3.00" | 5.46" |
| <i>SP-HF-IFB-42L-213</i> | #42 | 3,500 | 7.31 | 2.45" | 3.25" | 8.25" | 2.13" | 1.749" | 1.249" | 3.00" | 7.25" |
| <i>SP-HF-IFB-42L-225</i> | #42 | 3,500 | 7.31 | 2.45" | 3.25" | 8.25" | 2.25" | 1.749" | 1.249" | 3.00" | 7.25" |

HOT FORGED



| DESCRIPTION | | | | DIMENSIONS | | | | | | |
|----------------------|---------|-----------|----------|------------|-------|-------|-------|--------|--------|-------|
| PART NO. | SPINDLE | CAPACITY | UNIT WT. | A | B | C | D | E | F | H |
| <i>SP-HF-84BT16</i> | BT16 | 1,250 lb. | 3.20 lb. | 1.95" | 2.26" | 6.35" | 1.50" | 1.062" | 1.062" | 2.34" |
| <i>SP-HF-84L</i> | #84 | 1,750 | 3.40 | 1.95" | 2.26" | 6.35" | 1.72" | 1.376" | 1.062" | 2.45" |
| <i>SP-HF-84S</i> | #84 | 1,750 | 3.00 | 1.95" | 2.26" | 6.05" | 1.72" | 1.376" | 1.062" | 2.34" |
| <i>SP-HF-8455</i> | #84 | 1,750 | 4.00 | 2.55" | 2.26" | 6.35" | 1.72" | 1.376" | 1.062" | 3.00" |
| <i>SP-HF-42L-213</i> | #42 | 3,500 | 7.40 | 2.45" | 2.74" | 8.25" | 2.13" | 1.749" | 1.249" | 3.00" |
| <i>SP-HF-42L-225</i> | #42 | 3,500 | 7.40 | 2.45" | 2.74" | 8.25" | 2.25" | 1.749" | 1.249" | 3.00" |
| <i>SP-HF-8K</i> | #42 | 4,000 | 10.00 | 2.93" | 2.74" | 8.61" | 2.25" | 1.749" | 1.249" | 3.50" |



BAR STOCK



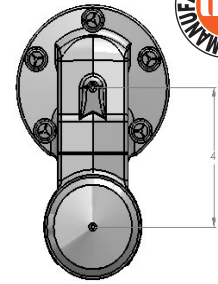
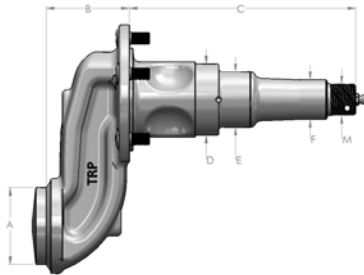
| DESCRIPTION | | | | DIMENSIONS | | | | | | |
|--------------------|---------|-----------|----------|------------|-------|-------|-------|--------|--------|-------|
| PART NO. | SPINDLE | CAPACITY | UNIT WT. | A | B | C | D | E | F | H |
| <i>SP-HF-BT8</i> | BT8 | 1,000 lb. | 2.00 lb. | 1.31" | N/A | 5.96" | 1.25" | 0.999" | 0.999" | 1.75" |
| <i>SP-HF-BT8L</i> | BT8 | 1,000 | 2.25 | 1.31" | 1.63" | 6.68" | 1.25" | 0.999" | 0.999" | 1.75" |
| <i>SP-HF-BT16</i> | BT16 | 1,250 | 2.25 | 1.31" | N/A | 5.96" | 1.50" | 1.062" | 1.062" | 1.75" |
| <i>SP-HF-BT16L</i> | BT16 | 1,250 | 2.50 | 1.31" | 1.63" | 6.68" | 1.50" | 1.062" | 1.062" | 1.75" |



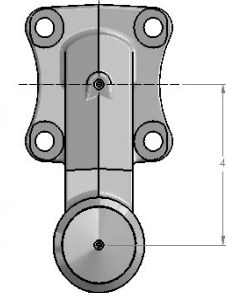
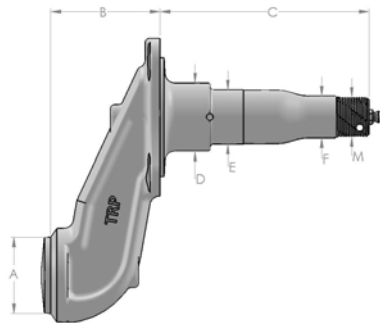
HOT FORGED INTEGRATED FLANGE DROP SPINDLES



UT-300



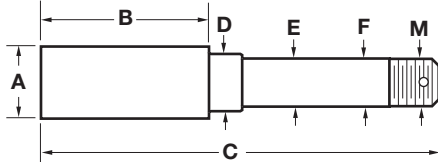
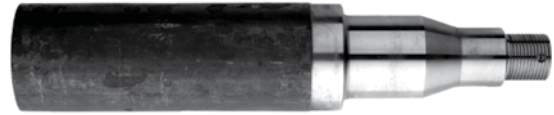
TT-175



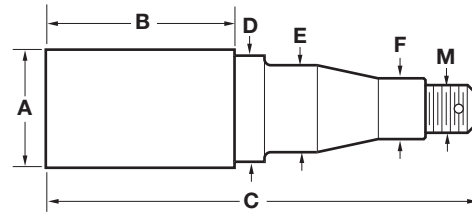
| PART NUMBER | DESCRIPTION | DIMENSIONS | | | | | | UNIT WT. |
|--------------------------|--|------------|-------|-------|-------|--------|--------|----------|
| | | A | B | C | D | E | F | |
| SP-TT-IF-175 | 3500# Axle, 4" Drop For 2-3/8" Tube w/ Flange | 1.95" | 2.77" | 5.36" | 1.72" | 1.376" | 1.062" | 6.63 lb. |
| SP-TT-175AF | 3500# Axle, 4" Drop For 3" Tube w/ Flange | 2.45" | 2.77" | 5.36" | 1.72" | 1.376" | 1.062" | 8.45 |
| SP-UT-IFB-300-213 | 7000# Axle, 4" Drop For 3" Tube w/ Flange | 2.45" | 2.64" | 7.25" | 2.13" | 1.749" | 1.249" | 12.25 |
| SP-UT-IFB-300-225 | 7000# Axle, 4" Drop For 3" Tube w/ Flange | 2.45" | 2.64" | 7.25" | 2.25" | 1.749" | 1.249" | 12.25 |
| SP-UTH-400F | 8000# Axle, 4" Drop w/ Forged Flange For 3-1/2" Tube | 2.93" | 3.00" | 7.55" | 2.25" | 1.749" | 1.249" | 17.10 |



- Forging material: Custom engineered automotive quality high strength steel.
- Spindles are machined to 1" - 14 UNS-2A thread (M) with .190" cotter pin hole.
- Dimension "B" on Hot Forged Integrated Flange straight spindles is the brake nib pilot dimension.
- See page 12 for Spindle Fasteners & Accessories.
- See page 10 for Custom Spindle Options.
- The specifications and dimensions above are for reference only.
- ** SP-TT-175AF has a welded flange.
- * **Call for availability and lead time on spindles.**



Type 1

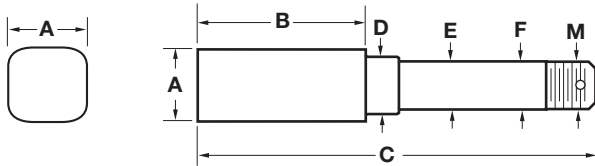
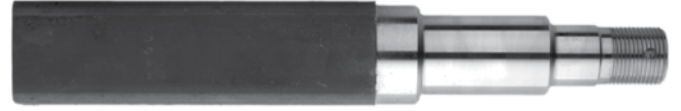


Type 2

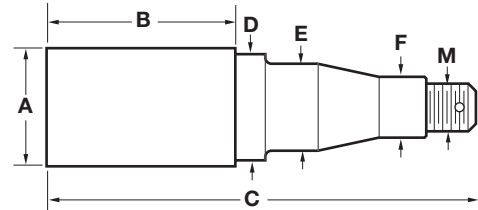
| DESCRIPTION | | | | | DIMENSIONS | | | | | |
|-------------------|------|---------|-----------|----------|------------|-------|--------|-------|--------|--------|
| PART NO. | TYPE | SPINDLE | CAPACITY | UNIT WT. | A | B | C | D | E | F |
| <i>SP-125BT8</i> | 1 | BT8 | 1,000 lb. | 2.25 lb. | 1.25" | 3.37" | 8.25" | 1.23" | 0.999" | 0.999" |
| <i>SP-125BT16</i> | 1 | BT16 | 1,250 | 2.25 | 1.25" | 3.37" | 8.25" | 1.23" | 1.062" | 1.062" |
| <i>SP-150BT8</i> | 1 | BT8 | 1,000 | 2.75 | 1.50" | 3.37" | 8.25" | 1.25" | 0.999" | 0.999" |
| <i>SP-150BT16</i> | 1 | BT16 | 1,250 | 3.00 | 1.50" | 3.37" | 8.25" | 1.48" | 1.062" | 1.062" |
| <i>SP-17584</i> | 2 | #84 | 1,750 | 4.00 | 1.75" | 3.37" | 8.25" | 1.72" | 1.376" | 1.062" |
| <i>SP-20084</i> | 2 | #84 | 1,750 | 5.00 | 2.00" | 3.37" | 8.25" | 1.72" | 1.376" | 1.062" |
| <i>SP-22542</i> | 2 | #42 | 3,500 | 8.00 | 2.25" | 6.00" | 11.00" | 2.23" | 1.749" | 1.249" |



- Bar stock material: SAE 1045 hot rolled (cold rolled available upon request).
 - All spindles are machined to 1" - 14 UNS-2A thread (M) with .190" cotter pin hole.
 - See page 12 for Spindle Fasteners & Accessories.
 - See page 10 for Custom Spindle Options.
 - The specifications and dimensions above are for reference only.
- * Call for availability and lead time on spindles.**



Type 1



Type 2

| DESCRIPTION | | | | | DIMENSIONS | | | | | |
|------------------------------------|------|---------|-----------|----------|------------|-------|--------|-------|--------|--------|
| PART NO. | TYPE | SPINDLE | CAPACITY | UNIT WT. | A | B | C | D | E | F |
| <i>SP-150BT8-SQ</i> | 1 | BT8 | 1,000 lb. | 2.60 lb. | 1.50" | 3.32" | 8.25" | 1.23" | 0.999" | 0.999" |
| <i>SP-150BT16-SQ</i> | 1 | BT16 | 1,250 | 2.90 | 1.50" | 3.32" | 8.25" | 1.48" | 1.062" | 1.062" |
| <i>SP-20484-SQ w/seal ring</i> | 2 | #84 | 1,750 | 3.50 | 1.50" | 3.53" | 8.25" | 1.72" | 1.376" | 1.062" |
| <i>SP-35684-SQ</i> | 2 | #84 | 1,750 | 4.00 | 1.75" | 6.05" | 11.00" | 1.72" | 1.376" | 1.062" |
| <i>SP-50642-SQ w/seal ring</i> | 2 | #42 | 3,500 | 5.00 | 2.00" | 5.93" | 11.00" | 2.25" | 1.749" | 1.249" |



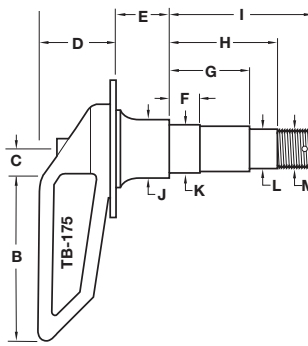
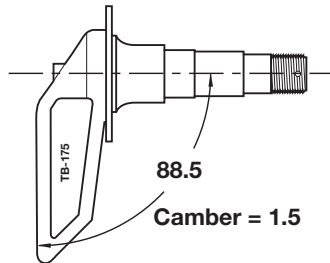
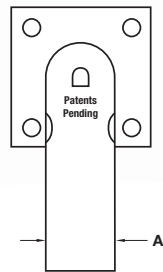
- Bar stock material: SAE 1045 hot rolled.
 - All spindles are machined to 1" - 14 UNS-2A thread (M) with .190" cotter pin hole.
 - See page 12 for Spindle Fasteners & Accessories.
 - See page 10 for Custom Spindle Options.
 - The specifications and dimensions above are for reference only.
- * Call for availability and lead time on spindles.**



HOT FORGED DROP BOAT TRAILER SPINDLE



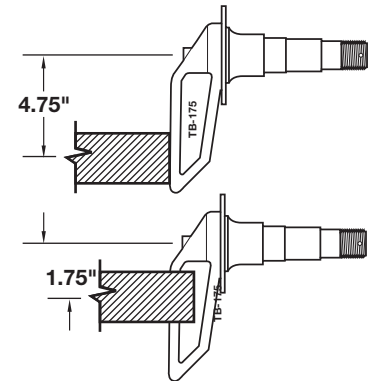
The ORIGINAL hot forged spindle was designed to eliminate the current tubular drop spindle fabrication method. This spindle provides added versatility, strength and durability. Increased production and cost reduction will occur due to the elimination of material waste, handling and unnecessary fabrication operations. This design is for the 3500 lb. axle, but it can also be produced for the 2000 lb. axle. Both spindles are available with or without brake flange.



AXLE PLACEMENT

The 2"x 2" or 2"x 3" tube is welded to the flat surface of the leg of the spindle. This spindle allows you to achieve a drop from 1.75" to 4.75."

AVAILABLE DROPS

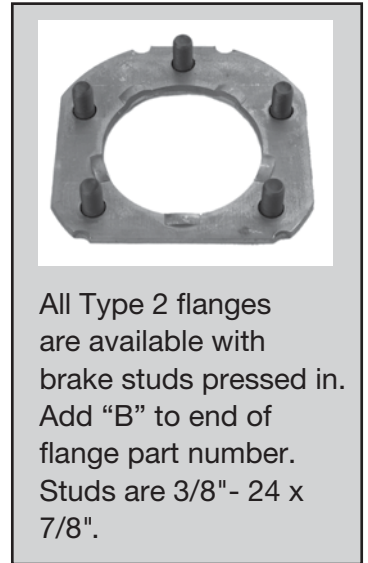
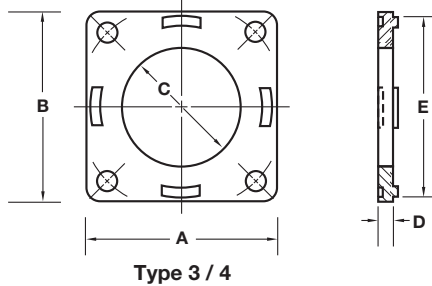
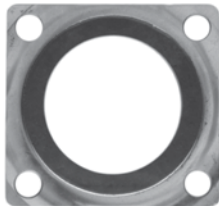
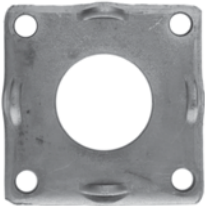
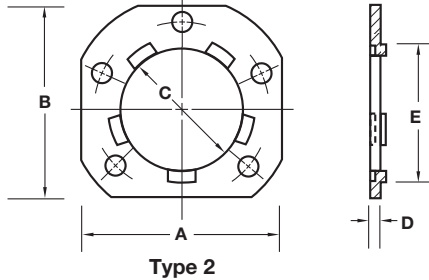
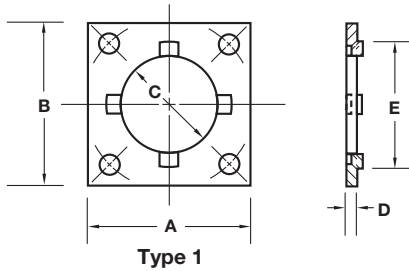
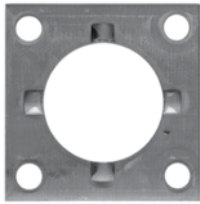


| PART NUMBER | DIMENSIONS | | | | | | | | | | | | UNIT WT. |
|-------------------|------------|-------|-------|-------|-------|-------|-------|-------|-------|-------|--------|--------|----------|
| | A | B | C | D | E | F | G | H | I | J | K | L | |
| SP-TB-175F | 2.03" | 4.75" | 1.00" | 2.25" | 1.26" | 0.91" | 2.38" | 3.34" | 4.12" | 1.72" | 1.376" | 1.062" | 7.75 lb. |

- Forging material: Custom engineered automotive quality high strength steel.
- All spindles are machined to 1" - 14 UNS-2A thread (M) with .190" cotter pin hole.
- See page 12 for Spindle Fasteners & Accessories.
- See below for Custom Spindle Options.
- The specifications and dimensions above are for reference only.


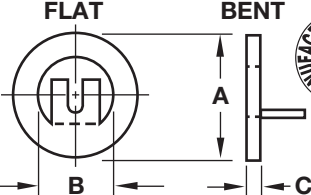

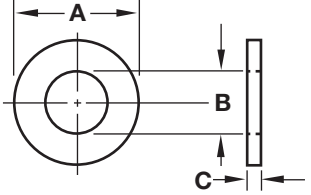

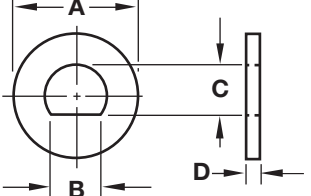

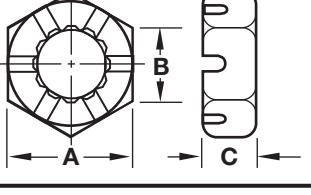

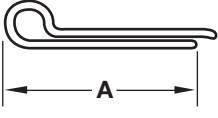

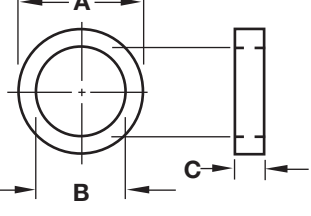

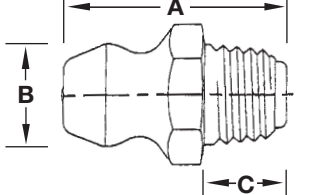
CUSTOM SPINDLE OPTIONS

- Welding of brake flange is available; add "F" to the end of the part number.
- Welding of brake flange with studs is available; add "FB" to the end of the part number.
- **Note:** Studs are 3/8"- 24 x 7/8". (Only for 5.2K - 7K axle applications.)
- Drilling for lubrication without D-Flat is available; add "Z" to the end of the part number.
- Drilling for lubrication with D-Flat is available; add "ZD" to the end of the part number.
- Alternate grease seal dimensions are available.
- Machining of D-Flat without lubrication is available; add "D" to the end of part number.
- Installation of stainless steel wear ring is available; add "SS" to the end of part number.
- Installation of spindle nut and washer is available; add "NW" to the end of part number.
- Custom machining available upon request.



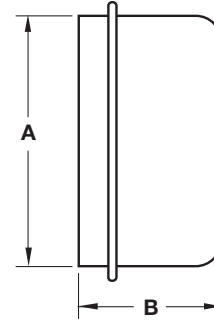
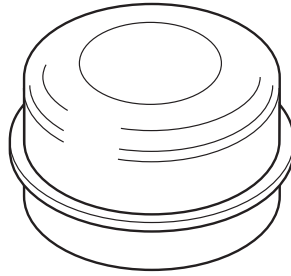
| PART NUMBER | TYPE | DIMENSIONS | | | | | BOLT CIRCLE | REF. NO. | UNIT WT. | CASE QTY. | CASE WT. |
|---------------------|------|------------|-------|-------|-------|-------|-------------|----------|----------|-----------|-----------|
| | | A | B | C | D | E | | | | | |
| <i>PFL-41.30</i> | 1 | 3.75" | 3.75" | 1.30" | 0.23" | 3.00" | 4.00" | — | 0.75 lb. | 2,000 pc. | 1,500 lb. |
| <i>PFL-41.51</i> | 1 | 3.75" | 3.75" | 1.51" | 0.25" | 3.00" | 4.00" | 4-29 | 0.82 | 1,500 | 1,230 |
| <i>PFL-41.64</i> | 1 | 3.75" | 3.75" | 1.64" | 0.25" | 3.00" | 4.00" | 4-34 | 0.77 | 1,500 | 1,155 |
| <i>PFL-41.75</i> | 1 | 3.75" | 3.75" | 1.75" | 0.25" | 3.00" | 4.00" | 4-16 | 0.73 | 4,000 | 2,920 |
| <i>PFL-42.27</i> | 1 | 3.75" | 3.75" | 2.27" | 0.25" | 3.00" | 4.00" | 4-12 | 0.62 | 4,000 | 2,480 |
| <i>PFL-52.31</i> | 2 | 4.44" | 4.25" | 2.31" | 0.25" | 3.25" | 3.87" | 4-6Q | 0.80 | 4,000 | 3,200 |
| <i>PFL-52.75</i> | 2 | 4.44" | 4.25" | 2.75" | 0.25" | 3.25" | 3.87" | 4-6T | 0.76 | 4,000 | 3,040 |
| <i>PFL-53.12</i> | 2 | 4.44" | 4.25" | 3.12" | 0.25" | 3.25" | 3.87" | 4-6 | 0.80 | 1,000 | 800 |
| <i>PFL-52.31-31</i> | 2 | 4.44" | 4.25" | 2.31" | 0.31" | 3.25" | 3.87" | — | 0.90 | 1,000 | 900 |
| <i>PFL-52.53</i> | 2 | 4.44" | 4.25" | 2.53" | 0.25" | 3.25" | 3.87" | — | 0.90 | 1,000 | 900 |
| <i>PFL-52.53-31</i> | 2 | 4.44" | 4.25" | 2.53" | 0.31" | 3.25" | 3.87" | — | 0.90 | 1,000 | 900 |
| <i>PFL-42.31</i> | 3 | 4.75" | 4.75" | 2.31" | 0.37" | 4.50" | 5.28" | — | 1.90 | 550 | 1,050 |
| <i>PFL-42.56</i> | 3 | 4.75" | 4.75" | 2.56" | 0.37" | 4.50" | 5.28" | — | 1.90 | 550 | 1,050 |
| <i>PFL-42.96</i> | 3 | 4.75" | 4.75" | 2.96" | 0.37" | 4.50" | 5.28" | — | 1.90 | 550 | 1,050 |
| <i>PFLD-42.96</i> | 4 | 4.63" | 4.63" | 2.96" | 0.26" | 3.87" | 4.96" | — | 1.90 | 550 | 1,050 |
| <i>PFL-43.12</i> | 3 | 4.75" | 4.75" | 3.12" | 0.37" | 4.50" | 5.28" | — | 1.90 | 550 | 1,050 |
| <i>PFL-43.53</i> | 3 | 4.75" | 4.75" | 3.53" | 0.37" | 4.50" | 5.28" | — | 1.90 | 550 | 1,050 |

- Material: High quality pickled and oiled structural steel per ASTM specifications.
- Bolt hole size: Type 1 - .48", Type 2 - .41", Type 3 / 4 - .53"
- Type 4 flange has 360° machined locating nibs.
- The specifications and dimensions above are for reference only.

|  |  | <table border="1"> <thead> <tr> <th colspan="6">TANG WASHER</th> </tr> <tr> <th rowspan="2">PART NUMBER</th> <th colspan="3">DIMENSIONS</th> <th rowspan="2">BOX QTY.</th> <th rowspan="2">BOX WT.</th> </tr> <tr> <th>A</th> <th>B</th> <th>C</th> </tr> </thead> <tbody> <tr> <td><i>FA-TW100</i></td> <td>1.57"</td> <td>1.00"</td> <td>0.40"</td> <td>2,500 pc.</td> <td>35 lb.</td> </tr> </tbody> </table> | TANG WASHER | | | | | | PART NUMBER | DIMENSIONS | | | BOX QTY. | BOX WT. | A | B | C | <i>FA-TW100</i> | 1.57" | 1.00" | 0.40" | 2,500 pc. | 35 lb. | | | | | | | | | | | | | | | | | | | | | | | | | | | | | | | | | | | | | | |
|---|---|---|----------------------------|-----------|-----------|---------|--|-------------|-------------|-------------|------------|------------|----------|-----------------|---------------|---------|-----------|-----------------|-----------------|-----------------|-------|-----------|--------|-----------|-----------|--------|-----------------|----|-------|-------|-------|-------|----|-----------------|----|-------|-------|-------|-------|----|-----------------|-----|-------|-------|-------|-------|----|-----------------|-----|-------|-------|-------|-----|---|-----------------|-----|-------|-------|-------|-----|---|
| TANG WASHER | | | | | | | | | | | | | | | | | | | | | | | | | | | | | | | | | | | | | | | | | | | | | | | | | | | | | | | | | | | | | |
| PART NUMBER | DIMENSIONS | | | BOX QTY. | BOX WT. | | | | | | | | | | | | | | | | | | | | | | | | | | | | | | | | | | | | | | | | | | | | | | | | | | | | | | | | |
| | A | B | C | | | | | | | | | | | | | | | | | | | | | | | | | | | | | | | | | | | | | | | | | | | | | | | | | | | | | | | | | | |
| <i>FA-TW100</i> | 1.57" | 1.00" | 0.40" | 2,500 pc. | 35 lb. | | | | | | | | | | | | | | | | | | | | | | | | | | | | | | | | | | | | | | | | | | | | | | | | | | | | | | | | |
|  |  | <table border="1"> <thead> <tr> <th colspan="6">FLAT ROUND SPINDLE WASHER</th> </tr> <tr> <th rowspan="2">PART NUMBER</th> <th colspan="3">DIMENSIONS</th> <th rowspan="2">BOX QTY.</th> <th rowspan="2">BOX WT.</th> </tr> <tr> <th>A</th> <th>B</th> <th>C</th> </tr> </thead> <tbody> <tr> <td><i>FA-SW100</i></td> <td>1.67"</td> <td>1.00"</td> <td>0.13"</td> <td>1,000 pc.</td> <td>50 lb.</td> </tr> </tbody> </table> | FLAT ROUND SPINDLE WASHER | | | | | | PART NUMBER | DIMENSIONS | | | BOX QTY. | BOX WT. | A | B | C | <i>FA-SW100</i> | 1.67" | 1.00" | 0.13" | 1,000 pc. | 50 lb. | | | | | | | | | | | | | | | | | | | | | | | | | | | | | | | | | | | | | | |
| FLAT ROUND SPINDLE WASHER | | | | | | | | | | | | | | | | | | | | | | | | | | | | | | | | | | | | | | | | | | | | | | | | | | | | | | | | | | | | | |
| PART NUMBER | DIMENSIONS | | | BOX QTY. | BOX WT. | | | | | | | | | | | | | | | | | | | | | | | | | | | | | | | | | | | | | | | | | | | | | | | | | | | | | | | | |
| | A | B | C | | | | | | | | | | | | | | | | | | | | | | | | | | | | | | | | | | | | | | | | | | | | | | | | | | | | | | | | | | |
| <i>FA-SW100</i> | 1.67" | 1.00" | 0.13" | 1,000 pc. | 50 lb. | | | | | | | | | | | | | | | | | | | | | | | | | | | | | | | | | | | | | | | | | | | | | | | | | | | | | | | | |
|  |  | <table border="1"> <thead> <tr> <th colspan="6">FLAT D-WASHER</th> </tr> <tr> <th rowspan="2">PART NUMBER</th> <th colspan="4">DIMENSIONS</th> <th rowspan="2">BOX QTY.</th> <th rowspan="2">BOX WT.</th> </tr> <tr> <th>A</th> <th>B</th> <th>C</th> <th>D</th> </tr> </thead> <tbody> <tr> <td><i>FA-DW100</i></td> <td>1.67"</td> <td>1.00"</td> <td>0.88"</td> <td>0.13"</td> <td>950 pc.</td> <td>45 lb.</td> </tr> </tbody> </table> | FLAT D-WASHER | | | | | | PART NUMBER | DIMENSIONS | | | | BOX QTY. | BOX WT. | A | B | C | D | <i>FA-DW100</i> | 1.67" | 1.00" | 0.88" | 0.13" | 950 pc. | 45 lb. | | | | | | | | | | | | | | | | | | | | | | | | | | | | | | | | | | | |
| FLAT D-WASHER | | | | | | | | | | | | | | | | | | | | | | | | | | | | | | | | | | | | | | | | | | | | | | | | | | | | | | | | | | | | | |
| PART NUMBER | DIMENSIONS | | | | BOX QTY. | BOX WT. | | | | | | | | | | | | | | | | | | | | | | | | | | | | | | | | | | | | | | | | | | | | | | | | | | | | | | | |
| | A | B | C | D | | | | | | | | | | | | | | | | | | | | | | | | | | | | | | | | | | | | | | | | | | | | | | | | | | | | | | | | | |
| <i>FA-DW100</i> | 1.67" | 1.00" | 0.88" | 0.13" | 950 pc. | 45 lb. | | | | | | | | | | | | | | | | | | | | | | | | | | | | | | | | | | | | | | | | | | | | | | | | | | | | | | | |
|  |  | <table border="1"> <thead> <tr> <th colspan="6">SPINDLE NUTS</th> </tr> <tr> <th rowspan="2">PART NUMBER</th> <th rowspan="2">THREAD</th> <th colspan="3">DIMENSIONS</th> <th rowspan="2">BOX QTY.</th> <th rowspan="2">BOX WT.</th> </tr> <tr> <th>A</th> <th>B</th> <th>C</th> </tr> </thead> <tbody> <tr> <td><i>FA-SN100</i></td> <td>1"-14 N.F.</td> <td>1.46"</td> <td>1.00"</td> <td>0.55"</td> <td>300 pc.</td> <td>42 lb.</td> </tr> </tbody> </table> | SPINDLE NUTS | | | | | | PART NUMBER | THREAD | DIMENSIONS | | | BOX QTY. | BOX WT. | A | B | C | <i>FA-SN100</i> | 1"-14 N.F. | 1.46" | 1.00" | 0.55" | 300 pc. | 42 lb. | | | | | | | | | | | | | | | | | | | | | | | | | | | | | | | | | | | | |
| SPINDLE NUTS | | | | | | | | | | | | | | | | | | | | | | | | | | | | | | | | | | | | | | | | | | | | | | | | | | | | | | | | | | | | | |
| PART NUMBER | THREAD | DIMENSIONS | | | BOX QTY. | BOX WT. | | | | | | | | | | | | | | | | | | | | | | | | | | | | | | | | | | | | | | | | | | | | | | | | | | | | | | | |
| | | A | B | C | | | | | | | | | | | | | | | | | | | | | | | | | | | | | | | | | | | | | | | | | | | | | | | | | | | | | | | | | |
| <i>FA-SN100</i> | 1"-14 N.F. | 1.46" | 1.00" | 0.55" | 300 pc. | 42 lb. | | | | | | | | | | | | | | | | | | | | | | | | | | | | | | | | | | | | | | | | | | | | | | | | | | | | | | | |
|  |  | <table border="1"> <thead> <tr> <th colspan="5">COTTER PIN</th> </tr> <tr> <th rowspan="2">PART NUMBER</th> <th rowspan="2">SIZE</th> <th>DIMENSIONS</th> <th rowspan="2">BOX QTY.</th> <th rowspan="2">BOX WT.</th> </tr> <tr> <th>A</th> </tr> </thead> <tbody> <tr> <td><i>FA-CP175</i></td> <td>1/8" x 2 1/8"</td> <td>2.125"</td> <td>2,000 pc.</td> <td>12 lb.</td> </tr> </tbody> </table> | COTTER PIN | | | | | PART NUMBER | SIZE | DIMENSIONS | BOX QTY. | BOX WT. | A | <i>FA-CP175</i> | 1/8" x 2 1/8" | 2.125" | 2,000 pc. | 12 lb. | | | | | | | | | | | | | | | | | | | | | | | | | | | | | | | | | | | | | | | | | | | |
| COTTER PIN | | | | | | | | | | | | | | | | | | | | | | | | | | | | | | | | | | | | | | | | | | | | | | | | | | | | | | | | | | | | | |
| PART NUMBER | SIZE | DIMENSIONS | BOX QTY. | BOX WT. | | | | | | | | | | | | | | | | | | | | | | | | | | | | | | | | | | | | | | | | | | | | | | | | | | | | | | | | | |
| | | A | | | | | | | | | | | | | | | | | | | | | | | | | | | | | | | | | | | | | | | | | | | | | | | | | | | | | | | | | | | |
| <i>FA-CP175</i> | 1/8" x 2 1/8" | 2.125" | 2,000 pc. | 12 lb. | | | | | | | | | | | | | | | | | | | | | | | | | | | | | | | | | | | | | | | | | | | | | | | | | | | | | | | | | |
|  |  | <table border="1"> <thead> <tr> <th colspan="7">STAINLESS STEEL WEAR RINGS</th> </tr> <tr> <th rowspan="2">PART NUMBER</th> <th rowspan="2">SPINDLE</th> <th colspan="3">DIMENSIONS</th> <th rowspan="2">BOX QTY.</th> <th rowspan="2">BOX WT.</th> </tr> <tr> <th>A</th> <th>B</th> <th>C</th> </tr> </thead> <tbody> <tr> <td><i>WR-SS125</i></td> <td>BT</td> <td>1.22"</td> <td>1.07"</td> <td>0.61"</td> <td>1,000 pc.</td> <td>10 lb.</td> </tr> <tr> <td><i>WR-SS138</i></td> <td>BT</td> <td>1.38"</td> <td>1.16"</td> <td>0.27"</td> <td>1,000</td> <td>10</td> </tr> <tr> <td><i>WR-SS150</i></td> <td>BT</td> <td>1.50"</td> <td>1.20"</td> <td>0.65"</td> <td>1,000</td> <td>10</td> </tr> <tr> <td><i>WR-SS175</i></td> <td>#84</td> <td>1.72"</td> <td>1.39"</td> <td>0.62"</td> <td>1,000</td> <td>12</td> </tr> <tr> <td><i>WR-SS213</i></td> <td>#42</td> <td>2.13"</td> <td>1.85"</td> <td>0.59"</td> <td>500</td> <td>6</td> </tr> <tr> <td><i>WR-SS225</i></td> <td>#42</td> <td>2.24"</td> <td>1.87"</td> <td>0.75"</td> <td>500</td> <td>7</td> </tr> </tbody> </table> | STAINLESS STEEL WEAR RINGS | | | | | | | PART NUMBER | SPINDLE | DIMENSIONS | | | BOX QTY. | BOX WT. | A | B | C | <i>WR-SS125</i> | BT | 1.22" | 1.07" | 0.61" | 1,000 pc. | 10 lb. | <i>WR-SS138</i> | BT | 1.38" | 1.16" | 0.27" | 1,000 | 10 | <i>WR-SS150</i> | BT | 1.50" | 1.20" | 0.65" | 1,000 | 10 | <i>WR-SS175</i> | #84 | 1.72" | 1.39" | 0.62" | 1,000 | 12 | <i>WR-SS213</i> | #42 | 2.13" | 1.85" | 0.59" | 500 | 6 | <i>WR-SS225</i> | #42 | 2.24" | 1.87" | 0.75" | 500 | 7 |
| STAINLESS STEEL WEAR RINGS | | | | | | | | | | | | | | | | | | | | | | | | | | | | | | | | | | | | | | | | | | | | | | | | | | | | | | | | | | | | | |
| PART NUMBER | SPINDLE | DIMENSIONS | | | BOX QTY. | BOX WT. | | | | | | | | | | | | | | | | | | | | | | | | | | | | | | | | | | | | | | | | | | | | | | | | | | | | | | | |
| | | A | B | C | | | | | | | | | | | | | | | | | | | | | | | | | | | | | | | | | | | | | | | | | | | | | | | | | | | | | | | | | |
| <i>WR-SS125</i> | BT | 1.22" | 1.07" | 0.61" | 1,000 pc. | 10 lb. | | | | | | | | | | | | | | | | | | | | | | | | | | | | | | | | | | | | | | | | | | | | | | | | | | | | | | | |
| <i>WR-SS138</i> | BT | 1.38" | 1.16" | 0.27" | 1,000 | 10 | | | | | | | | | | | | | | | | | | | | | | | | | | | | | | | | | | | | | | | | | | | | | | | | | | | | | | | |
| <i>WR-SS150</i> | BT | 1.50" | 1.20" | 0.65" | 1,000 | 10 | | | | | | | | | | | | | | | | | | | | | | | | | | | | | | | | | | | | | | | | | | | | | | | | | | | | | | | |
| <i>WR-SS175</i> | #84 | 1.72" | 1.39" | 0.62" | 1,000 | 12 | | | | | | | | | | | | | | | | | | | | | | | | | | | | | | | | | | | | | | | | | | | | | | | | | | | | | | | |
| <i>WR-SS213</i> | #42 | 2.13" | 1.85" | 0.59" | 500 | 6 | | | | | | | | | | | | | | | | | | | | | | | | | | | | | | | | | | | | | | | | | | | | | | | | | | | | | | | |
| <i>WR-SS225</i> | #42 | 2.24" | 1.87" | 0.75" | 500 | 7 | | | | | | | | | | | | | | | | | | | | | | | | | | | | | | | | | | | | | | | | | | | | | | | | | | | | | | | |
|  |  | <table border="1"> <thead> <tr> <th colspan="6">GREASE ZERK</th> </tr> <tr> <th rowspan="2">PART NUMBER</th> <th rowspan="2">SIZE</th> <th colspan="3">DIMENSIONS</th> <th rowspan="2">BOX QTY.</th> <th rowspan="2">BOX WT.</th> </tr> <tr> <th>A</th> <th>B</th> <th>C</th> </tr> </thead> <tbody> <tr> <td><i>FA-ZERK</i></td> <td>1/4"-28 TAPER</td> <td>0.56"</td> <td>0.26"</td> <td>0.21"</td> <td>5,000 pc.</td> <td>32 lb.</td> </tr> </tbody> </table> | GREASE ZERK | | | | | | PART NUMBER | SIZE | DIMENSIONS | | | BOX QTY. | BOX WT. | A | B | C | <i>FA-ZERK</i> | 1/4"-28 TAPER | 0.56" | 0.26" | 0.21" | 5,000 pc. | 32 lb. | | | | | | | | | | | | | | | | | | | | | | | | | | | | | | | | | | | | |
| GREASE ZERK | | | | | | | | | | | | | | | | | | | | | | | | | | | | | | | | | | | | | | | | | | | | | | | | | | | | | | | | | | | | | |
| PART NUMBER | SIZE | DIMENSIONS | | | BOX QTY. | BOX WT. | | | | | | | | | | | | | | | | | | | | | | | | | | | | | | | | | | | | | | | | | | | | | | | | | | | | | | | |
| | | A | B | C | | | | | | | | | | | | | | | | | | | | | | | | | | | | | | | | | | | | | | | | | | | | | | | | | | | | | | | | | |
| <i>FA-ZERK</i> | 1/4"-28 TAPER | 0.56" | 0.26" | 0.21" | 5,000 pc. | 32 lb. | | | | | | | | | | | | | | | | | | | | | | | | | | | | | | | | | | | | | | | | | | | | | | | | | | | | | | | |

• The specifications and dimensions above are for reference only.

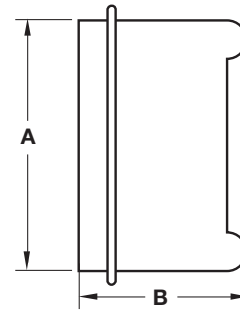
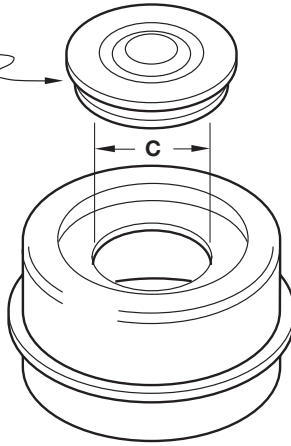
REGULAR DUST CAP



LUBED DUST CAP



Rubber Lube Plug



| PART NUMBER | DESCRIPTION | DIMENSIONS | | | REF. NO. | BOX QTY. | BOX WT. |
|----------------|---|------------|-------|-------|----------|----------|---------|
| | | A | B | C | | | |
| DC-178 | 1 3/4" Dust Cap | 1.78" | 1.30" | N/A | N/A | 500 pc. | 44 lb. |
| DC-200 | 2" Dust Cap | 1.99" | 1.20" | N/A | 21-3 | 550 | 42 |
| DC-200L | 2" Lubed Dust Cap | 1.99" | 1.40" | 1.18" | 21-41 | 440 | 40 |
| DC-233 | 2 1/3" Dust Cap | 2.33" | 1.00" | N/A | N/A | 500 | 49 |
| DC-250 | 2 1/2" Dust Cap | 2.45" | 1.34" | N/A | 21-1 | 360 | 44 |
| DC-250L | 2 1/2" Lubed Dust Cap | 2.45" | 1.52" | 1.18" | 21.42 | 290 | 38 |
| DC-275 | 2 3/4" Dust Cap | 2.72" | 1.28" | N/A | 21-39 | 430 | 69 |
| DC-275L | 2 3/4" Lubed Dust Cap | 2.72" | 1.52" | 1.18" | 21-43 | 230 | 37 |
| DC-RP | Rubber Lube Plug fits 1.18" Lubed Dust Cap Hole | | | 1.18" | N/A | 3,000 | 43 |

- Material: 22 gage, zinc coated steel except for part number DC-275 which is 16 gage.
- Bright chrome plate available. Minimum order quantities and longer lead time will apply.
- Stainless steel construction available. Minimum order quantities and longer lead time will apply.
- The specifications and dimensions above are for reference only.



TAPERED ROLLER BEARINGS



| PART NUMBER | DESCRIPTION | CONE ID. | CUP OD. | BOX QTY. | BOX WT. | CASE QTY. | CASE WT. |
|-------------------|-------------|----------|---------|----------|---------|------------|-----------|
| L-44649 | Cone | 1.0625" | — | 297 pc. | 52 lb. | 10,692 pc. | 1,872 lb. |
| L-44643 | Cone | 1.0000" | — | 297 | 59 | 10,692 | 2,124 |
| L-44610 | Cup | — | 1.9800" | 297 | 27 | 10,692 | 972 |
| L-68149 | Cone | 1.3775" | — | 184 | 47 | 6,624 | 1,692 |
| L-68111 | Cup | — | 2.3612" | 184 | 27 | 6,624 | 972 |
| L-68110 | Cup | — | 2.3280" | 184 | 25 | 6,624 | 900 |
| LM-67048 | Cone | 1.2500" | — | 184 | 49 | 6,624 | 1,764 |
| LM-67010 | Cup | — | 2.3280" | 184 | 25 | 6,624 | 900 |
| 25580 | Cone | 1.7500" | — | 55 | 52 | 1,980 | 1,872 |
| 25520 | Cup | — | 3.2650" | 55 | 26 | 1,980 | 936 |
| 15123 | Cone | 1.2500" | — | 120 | 41 | 4,320 | 1,476 |
| 15245 | Cup | — | 2.4409" | 120 | 23 | 4,320 | 828 |
| *LM-11749 | Cone | 0.6875" | — | 400 | 50 | 14,400 | 1,800 |
| *LM-11710 | Cup | — | 1.5700" | 450 | 42 | 16,200 | 1,512 |
| LM-11949 | Cone | 0.7500" | — | 360 | 65 | 12,960 | 2,365 |
| LM-11910 | Cup | — | 1.7810" | 360 | 36 | 12,960 | 1,320 |
| *LM-12749 | Cone | 0.8656" | — | 350 | 54 | 12,600 | 1,944 |
| *LM-12710 | Cup | — | 1.7810" | 380 | 40 | 13,680 | 1,440 |
| *LM-12711 | Cup | — | 1.8100" | 450 | 47 | 16,200 | 1,692 |
| LM-48548 | Cone | 1.3750" | — | 128 | 53 | 4,608 | 1,908 |
| LM-48510 | Cup | — | 2.5625" | 192 | 38 | 6,912 | 1,368 |
| LM-501349 | Cone | 1.6250" | — | 130 | 60 | 4,680 | 2,160 |
| *LM-501310 | Cup | — | 2.8910" | 150 | 39 | 5,400 | 1,404 |
| *JL-69349 | Cone | 1.4961" | — | 175 | 53 | 6,300 | 1,908 |
| *JL-69310 | Cup | — | 2.4803" | 192 | 32 | 6,912 | 1,152 |
| 14125A | Cone | 1.2500" | — | 108 | 40 | 3,888 | 1,440 |
| 14276 | Cup | — | 2.7170" | 108 | 19 | 3,888 | 684 |
| *HM-218248 | Cone | 3.5423" | — | 10 | 40 | 360 | 1,440 |
| *HM-218210 | Cup | — | 5.7864" | 10 | 20 | 360 | 720 |
| *HM-212049 | Cone | 2.6250" | — | 14 | 45 | 504 | 1,620 |
| *HM-212011 | Cup | — | 4.8125" | 24 | 34 | 864 | 1,224 |
| 28580 | Cone | 2.0000" | — | 55 | 52 | 1,980 | 1,872 |
| *28520 | Cup | — | 3.5425" | 55 | 26 | 1,980 | 936 |
| 28521 | Cup | — | 3.6250" | 55 | 26 | 1,980 | 936 |
| 02475 | Cone | 1.2500" | — | 80 | 40 | 2,880 | 1,440 |
| 02420 | Cup | — | 2.6875" | 160 | 54 | 5,760 | 1,940 |
| JM-205149 | Cone | 1.9685" | — | 55 | 52 | 1,980 | 1,872 |
| JM-205110 | Cup | — | 3.5433" | 55 | 26 | 1,980 | 936 |
| JM-511946 | Cone | 2.5591" | — | 16 | 52 | 576 | 1,872 |
| JM-511910 | Cup | — | 4.3307" | 24 | 34 | 864 | 1,224 |

- Other tapered roller bearings are available upon request.
- The specifications and dimensions above are for reference only.
- * *Non-stock items. Minimum order quantities and longer lead time will apply.*

DOUBLE LIP SEALS



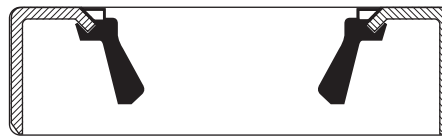
| PART NUMBER | SHAFT DIAMETER | BORE DIAMETER | SEAL OD. | SEAL WIDTH | SPINDLE | REF. NUMBER | BOX QTY. | BOX WT. |
|------------------|----------------|---------------|----------|------------|---------|-------------|-----------|---------|
| GS-1250DL | 1.250" | 1.979" | 1.983" | 0.250" | BT8 | 12192TB | 1,680 pc. | 66 lb. |
| GS-1500DL | 1.500" | 1.983" | 1.987" | 0.250" | BT16 | 15192TB | 1,680 | 54 |
| GS-1687DL | 1.687" | 2.561" | 2.565" | 0.500" | #84 | 168255TB | 360 | 40 |
| GS-1719DL | 1.720" | 2.561" | 2.565" | 0.500" | #84 | 171255TB | 480 | 39 |
| GS-2125DL | 2.125" | 3.372" | 3.376" | 0.313" | #42 | 21333TB | 300 | 28 |
| GS-2250DL | 2.250" | 3.371" | 3.376" | 0.375" | #42 | 22333TB | 300 | 31 |

DOUBLE LIP RUBBER COATED SEALS



| PART NUMBER | SHAFT DIAMETER | BORE DIAMETER | SEAL OD. | SEAL WIDTH | SPINDLE | REF. NUMBER | BOX QTY. | BOX WT. |
|--------------------|----------------|---------------|----------|------------|---------|-------------|-----------|---------|
| GS-1250DLR | 1.250" | 1.979" | 1.986" | 0.406" | BT8 | 12194TC | 1,680 pc. | 66 lb. |
| GS-1500DLR | 1.500" | 1.983" | 1.990" | 0.250" | BT16 | 15192TC | 1,680 | 54 |
| *GS-1687DLR | 1.687" | 2.561" | 2.568" | 0.500" | #84 | 168255TC | 360 | 40 |
| GS-1719DLR | 1.719" | 2.561" | 2.568" | 0.500" | #84 | 171255TC | 480 | 39 |
| GS-2125DLR | 2.125" | 3.371" | 3.378" | 0.375" | #42 | 21333TC | 300 | 28 |
| GS-2250DLR | 2.230" | 3.372" | 3.378" | 0.375" | #42 | 22333TC | 300 | 31 |

SINGLE LIP SEALS



| PART NUMBER | SHAFT DIAMETER | BORE DIAMETER | SEAL OD. | SEAL WIDTH | SPINDLE | REF. NUMBER | BOX QTY. | BOX WT. |
|-------------------|----------------|---------------|----------|------------|---------|-------------|-----------|---------|
| *GS-1250SL | 1.250" | 1.979" | 1.983" | 0.250" | BT8 | 12192VB | 1,680 pc. | 47 lb. |
| *GS-1500SL | 1.500" | 1.983" | 1.987" | 0.188" | BT16 | 15191VB | 1,680 | 32 |
| *GS-1719SL | 1.720" | 2.561" | 2.565" | 0.500" | #84 | 171255VB | 480 | 34 |
| *GS-1938SL | 1.938" | 2.506" | 2.510" | 0.281" | M/H | 193502VB | 600 | 34 |
| *GS-2125SL | 2.125" | 3.372" | 3.377" | 0.375" | #42 | 21333VB | 300 | 31 |
| *GS-2250SL | 2.250" | 3.371" | 3.376" | 0.375" | #42 | 22333VB | 300 | 30 |

- Material: Rubber = Nitrile Buna - 70 durometer compound.
- All Double Lip Seals are spring loaded.
- The specifications and dimensions above are for reference only.
- * Non-stock items. Minimum order quantities and longer lead time will apply.



| PART NUMBER | DESCRIPTION | | | | UNIT WT. | CASE QTY. | CASE WT. |
|----------------------|-------------|------------|------------|------------|-----------|-----------|-----------|
| | CAPACITY | BOLT DIA. | INNER RACE | OUTER RACE | | | |
| RVD-U-5450 | 1,750 lb. | 5 on 4.50" | L-68111 | L-44610 | 21.10 lb. | 95 pc. | 2,100 lb. |
| RVD-U-5475 | 1,750 | 5 on 4.75" | L-68111 | L-44610 | 21.10 | 95 | 2,100 |
| RVD-U-5500 | 1,750 | 5 on 5.00" | L-68111 | L-44610 | 21.10 | 95 | 2,100 |
| RVD-U-5550 | 1,750 | 5 on 5.50" | L-68111 | L-44610 | 21.10 | 95 | 2,100 |
| RVD-U-6550 | 1,750 | 6 on 5.50" | L-68111 | L-44610 | 22.00 | 95 | 2,190 |
| RVD-H-655 | 3,000 | 6 on 5.50" | 25520 | 15245 | 31.70 | 63 | 2,100 |
| RVD-H-865 | 3,500 | 8 on 6.50" | 25520 | 14276 | 37.00 | 54 | 2,100 |
| RVD-H-865-916 | 3,500 | 8 on 6.50" | 25520 | 14276 | 37.00 | 54 | 2,100 |

- Studs are 1/2" - 20 with yellow finished zinc plating. (RVD-H-865-916 studs are 9/16" - 18)
- Manufactured to automotive standards in ISO/TS-16949 registered factory.
- Fully integrated casting, machining, painting, and assembly operations.
- Mechanical die compression for superior sand compression.
- ASTM test bar method used to monitor tensile strength.
- Inspected 100% before painting including the races for proper seating.
- Drums are chemically cleaned and painted black in electrostatic booth.
- The specifications and dimensions above are for reference only.



| PART NUMBER | DESCRIPTION | | | | UNIT WT. | CASE QTY. | CASE WT. |
|----------------------|-------------|------------|------------|------------|-----------|-----------|-----------|
| | CAPACITY | BOLT DIA. | INNER RACE | OUTER RACE | | | |
| RVI-BT-4400 | 1,000 lb. | 4 on 4.00" | L-44610 | L-44610 | 16.48 lb. | 504 pc. | 3,265 lb. |
| RVI-BT-5450 | 1,250 | 5 on 4.50" | L-44610 | L-44610 | 16.43 | 680 | 4,370 |
| RVI-U-5450 | 1,750 | 5 on 4.50" | L-68111 | L-44610 | 17.23 | 544 | 4,380 |
| RVI-U-5475 | 1,750 | 5 on 4.75" | L-68111 | L-44610 | 17.23 | 512 | 3,695 |
| RVI-U-5500 | 1,750 | 5 on 5.00" | L-68111 | L-44610 | 17.23 | 512 | 3,695 |
| RVI-U-5550 | 1,750 | 5 on 5.50" | L-68111 | L-44610 | 19.45 | 448 | 4,235 |
| RVI-U-6550 | 1,750 | 6 on 5.50" | L-68111 | L-44610 | 19.60 | 324 | 3,110 |
| RVI-H-655 | 3,000 | 6 on 5.50" | 25520 | 15245 | 13.74 | 315 | 4,326 |
| RVI-H-865 | 3,500 | 8 on 6.50" | 25520 | 14276 | 17.03 | 200 | 3,405 |
| RVI-H-865-916 | 3,500 | 8 on 6.50" | 25520 | 14276 | 17.03 | 200 | 3,405 |



- All studs are 1/2" - 20 with yellow finished zinc plating. (RVI-H-865-916 studs are 9/16" - 18)
- Manufactured to automotive standards in ISO/TS-16949 registered factory.
- Fully integrated casting, machining, painting, and assembly operations.
- Mechanical die compression for superior sand compression.
- ASTM test bar method used to monitor tensile strength.
- Inspected 100% before painting including the races for proper seating.
- Hubs are chemically cleaned and painted black in electrostatic booth.
- The specifications and dimensions above are for reference only.



FEATURES

- Aluminum wheel cylinders
- Stainless steel springs
- Available in 10" and 12" sizes
- Dacromet: inorganic zinc rich coating to protect from rust

BRAKES AVAILABLE

- | | |
|--------------|---------------------|
| 10" x 2 1/4" | <i>Uni-Servo</i> |
| 10" x 2 1/4" | <i>Free Backing</i> |
| 12" x 2" | <i>Uni-Servo</i> |
| 12" x 2" | <i>Free Backing</i> |

| PART NUMBER | DESCRIPTION | UNIT WT. | CASE QTY. | CASE WT. |
|------------------|--------------------------------|----------|-----------|-----------|
| BK-40715 | RH, 10" Free Backing, E-coat | 9.59 lb. | 156 pc. | 1,602 lb. |
| BK-40716 | LH, 10" Free Backing, E-coat | 9.59 | 156 | 1,602 |
| BK-40715X | RH, 10" Free Backing, Dacromet | 9.59 | 156 | 1,602 |
| BK-40716X | LH, 10" Free Backing, Dacromet | 9.59 | 156 | 1,602 |
| BK-42028 | RH, 12" Free Backing, E-coat | 14.66 | 117 | 1,822 |
| BK-42029 | LH, 12" Free Backing, E-coat | 14.66 | 117 | 1,822 |
| BK-42028X | RH, 12" Free Backing, Dacromet | 14.66 | 117 | 1,822 |
| BK-42029X | LH, 12" Free Backing, Dacromet | 14.66 | 117 | 1,822 |
| BK-18787 | RH, 10" Uni-Servo, E-coat | 8.49 | 156 | 1,430 |
| BK-18788 | LH, 10" Uni-Servo, E-coat | 8.49 | 156 | 1,430 |
| BK-23510 | RH, 12" Uni-Servo, E-coat | 13.34 | 117 | 1,666 |
| BK-23511 | LH, 12" Uni-Servo, E-coat | 13.34 | 117 | 1,666 |

- Dacromet coating is only available in free backing brakes.
- The specifications and dimensions above are for reference only.
- * Individually boxed brakes are available; add a P to the end of the part number.

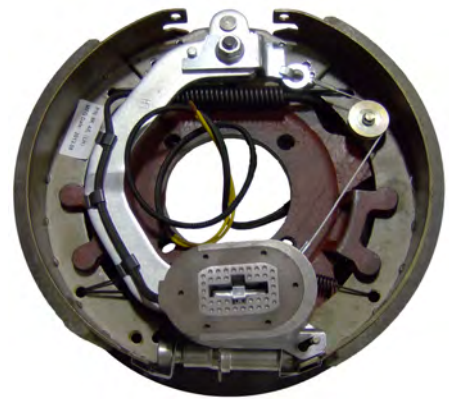
10" x 2 1/4"



12" x 2"



8K, 12 1/4" x 3 3/8"



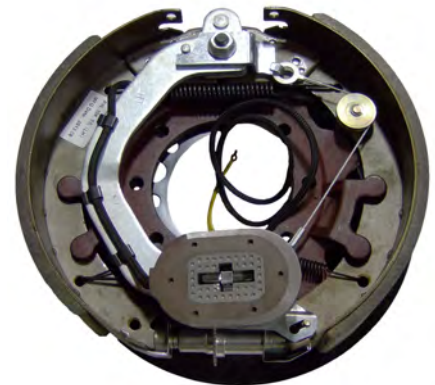
Self-Adjusting



Self-Adjusting



10K, 12 1/4" x 3 3/8"



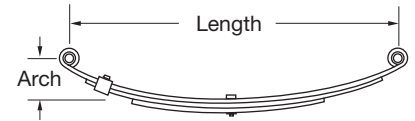
| PART NUMBER | DESCRIPTION | UNIT WT. | CASE QTY. | CASE WT. |
|-------------------------|--|----------|-----------|-----------|
| BK-7E-01/02 | LH/RH, 7"x 1 1/4" Assembly | 4.10 lb. | 420 pc. | 1,822 lb. |
| BK-10E-01/02 | LH/RH, 10"x 2 1/4" Assembly | 9.60 | 168 | 1,637 |
| BK-12E-01/02 | LH/RH, 12"x 2" Assembly | 14.80 | 126 | 2,000 |
| BK-10E-01SA/02SA | LH/RH, 10"x 2 1/4" Self-Adjusting Assembly | 9.88 | 168 | 1,732 |
| BK-12E-01SA/02SA | LH/RH, 12"x 2" Self-Adjusting Assembly | 14.75 | 126 | 1,936 |
| BK-8KE-01/02 | LH/RH, 8K, 12 1/4"x 3 3/8", Self-Adjusting Assembly | 18.56 | 81 | 1,553 |
| BK-10KE-01/02 | LH/RH, 10K, 12 1/4"x 3 3/8", Self-Adjusting Assembly | 18.50 | 81 | 1,547 |

- CSA compliant
 - SAE rated friction material
 - Manufactured to automotive standards in ISO/TS-16949 registered factory.
 - Magnets tested 100% for pull force and conductivity.
 - Fully integrated manufacturing and assembly operations.
 - Detailed control plans utilized in manufacturing.
 - The specifications and dimensions above are for reference only.
- * Individually boxed brakes are available; add a P to the end of the part number.



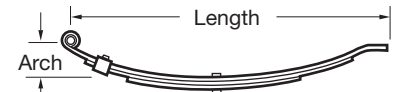
LEAF SPRINGS

DOUBLE EYE – 1 3/4" WIDE



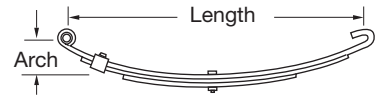
| PART NUMBER | NUMBER OF LEAVES | FREE LENGTH | FREE ARCH | CAPACITY PER SPRING | WEIGHT EACH | SKID QTY. | SKID WT. | REFERENCE NUMBERS |
|-------------|------------------|-------------|-----------|---------------------|-------------|-----------|-----------|----------------------|
| DE-041M | 3 | 20.00" | 3.25" | 1,500 lb. | 9.40 lb. | 200 pc. | 1,878 lb. | |
| DE-7216 | 3 | 20.31 | 3.38 | 700 | 6.10 | 200 | 1,220 | UNA-168, DX-720 |
| DE-7217 | 3 | 20.38 | 3.18 | 1,000 | 7.00 | 200 | 1,400 | UNA-169, X1020 |
| DE-7213 | 4 | 20.50 | 3.38 | 1,400 | 9.30 | 200 | 1,860 | UNA-167 |
| DE-726 | 3 | 23.13 | 3.63 | 1,250 | 9.10 | 200 | 1,820 | UNA-135 |
| DE-729 | 3 | 23.13 | 3.50 | 1,750 | 11.00 | 200 | 2,200 | UNA-216, 1724-3L |
| DE-7218 | 4 | 23.13 | 3.50 | 2,000 | 12.40 | 200 | 2,480 | UNA-170, WAH-4 |
| DE-113 | 3 | 23.50 | 3.50 | 1,000 | 9.30 | 200 | 1,860 | UNA-113, 545-3L |
| DE-114 | 4 | 23.50 | 3.50 | 1,400 | 10.70 | 200 | 2,134 | UNA-114, 545-4L |
| DE-7227 | 6 | 24.88 | 3.38 | 3,500 | 18.30 | 150 | 2,738 | UNA-222, 1769 |
| DE-7222 | 3 | 25.25 | 3.18 | 1,250 | 9.60 | 200 | 1,920 | UNA-219, SW3B |
| DE-7242 | 4 | 25.25 | 3.00 | 1,750 | 11.70 | 200 | 2,348 | UNA-212, SW4B SW4B, |
| DE-SW4B | 4 | 25.25 | 3.00 | 1,750 | 11.70 | 200 | 2,340 | 93184 |
| DE-7226 | 4 | 25.13 | 3.13 | 3,000 | 15.40 | 200 | 3,080 | UNA-221 |
| DE-7223 | 3 | 25.25 | 3.00 | 1,500 | 11.00 | 200 | 2,200 | UNA-217 |
| DE-7224 | 3 | 25.25 | 3.00 | 2,000 | 12.30 | 200 | 2,458 | UNA-220, 1762, SW3 |
| DE-7225 | 4 | 25.25 | 3.00 | 2,500 | 15.10 | 200 | 3,014 | UNA-218, 1763, SW4 |
| DE-1764 | 5 | 25.25 | 3.00 | 2,900 | 17.00 | 125 | 2,125 | UNA-111, 1764, SW5 |
| DE-SW3 | 3 | 25.25 | 3.00 | 1,750 | 11.70 | 200 | 2,340 | UNA-220, 1762, 72-24 |
| DE-SW4 | 4 | 25.25 | 3.00 | 2,500 | 13.80 | 200 | 2,760 | UNA-218, 1763, 72-25 |
| DE-SW5 | 5 | 25.25 | 3.00 | 2,950 | 16.30 | 125 | 2,038 | UNA-111, 1764 |
| DE-SW6 | 6 | 25.25 | 3.00 | 3,500 | 19.10 | 125 | 2,388 | UNA-223, SW6 |
| DE-26350 | 2 | 26.00 | 4.13 | 350 | 7.00 | 200 | 1,400 | UNA-121, 26-350, AS2 |
| DE-26500 | 3 | 26.00 | 4.12 | 500 | 9.10 | 200 | 1,820 | UNA-122, 25-500, AS3 |
| DE-261000 | 4 | 26.00 | 4.12 | 1,000 | 11.10 | 200 | 2,220 | UNA-124, 26-1000, |
| DE-AWS2 | 2 | 26.00 | 4.25 | 1,000 | 9.90 | 200 | 1,972 | AS4 UNA-049, AWS2 |
| DE-AWS3 | 3 | 26.00 | 4.25 | 1,500 | 12.00 | 200 | 2,394 | UNA-050, AWS3 |
| DE-AWS4 | 4 | 26.00 | 4.25 | 2,000 | 14.00 | 200 | 2,798 | UNA-051, AWS4 |
| DE-AWS5 | 5 | 26.00 | 4.25 | 2,500 | 17.10 | 125 | 2,134 | UNA-052, AWS5 |
| DE-AWS6 | 6 | 26.00 | 4.25 | 3,000 | 20.30 | 125 | 2,538 | UNA-053, AWS6 |
| DE-AWS7 | 7 | 26.00 | 4.25 | 3,500 | 23.40 | 130 | 3,043 | UNA-054, AWS7 |
| DE-AWS8 | 8 | 26.00 | 4.25 | 4,000 | 27.20 | 125 | 3,400 | UNA-055, AWS8 |
| DE-33611 | 3 | 27.00 | 3.50 | 750 | 9.10 | 200 | 1,820 | UNA-144, 15327 |
| DE-33612 | 3 | 27.00 | 2.88 | 1,000 | 10.10 | 200 | 2,022 | UNA-141, 20327 |
| DE-33613 | 4 | 27.00 | 2.88 | 2,100 | 14.00 | 200 | 2,800 | UNA-210, 35427 |
| DE-33617 | 6 | 27.00 | 3.25 | 3,000 | 22.30 | 125 | 2,788 | UNA-142, 60627 |
| DE-45527 | 5 | 27.00 | 2.75 | 2,250 | 17.30 | 125 | 2,158 | UNA-234, 45527 |

SLIPPER FLAT – 1 3/4" WIDE



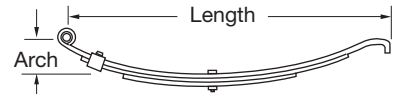
| PART NUMBER | NUMBER OF LEAVES | FREE LENGTH | FREE ARCH | CAPACITY PER SPRING | WEIGHT EACH | SKID QTY. | SKID WT. | REFERENCE NUMBERS |
|-------------|------------------|-------------|-----------|---------------------|-------------|-----------|-----------|-------------------|
| SF-047 | 3 | 24.50" | 4.12" | 1,675 lb. | 11.00 lb. | 200 pc. | 2,200 lb. | UNA-047 |
| SF-013 | 2 | 25.12 | 5.00 | 500 | 5.80 | 250 | 1,450 | UNA-013 |
| SF-014 | 3 | 25.12 | 5.00 | 750 | 7.90 | 250 | 1,975 | UNA-014 |
| SF-015 | 4 | 25.12 | 5.00 | 1,000 | 9.50 | 250 | 2,375 | UNA-015 |
| SF-432110 | 2 | 30.00 | 4.88 | 950 | 10.10 | 200 | 2,020 | UNA-038, WD-2 |
| SF-433115 | 3 | 30.00 | 4.88 | 1,500 | 12.50 | 500 | 6,250 | UNA-039, WF-3 |
| SF-434117 | 4 | 30.00 | 4.88 | 2,000 | 12.20 | 200 | 2,440 | UNA-040, WG-4 |
| SF-434118 | 5 | 30.00 | 4.88 | 2,400 | 18.30 | 150 | 2,745 | UNA-040N, WG-5 |

SLIPPER OPEN – 1³/₄" WIDE



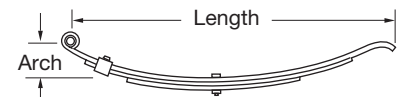
| PART NUMBER | NUMBER OF LEAVES | FREE LENGTH | FREE ARCH | CAPACITY PER SPRING | WEIGHT EACH | SKID QTY. | SKID WT. | REFERENCE NUMBERS |
|-------------|------------------|-------------|-----------|---------------------|-------------|-----------|-----------|-------------------|
| SO-C1 | 2 | 26.25 | 3.50 | 800 | 8.30 lb. | 250 pc. | 2,075 lb. | UNA-261, C1 |
| SO-C2 | 3 | 26.25 | 3.50 | 1,300 | 10.70 | 200 | 2,140 | UNA-262, C-2 |
| SO-C3 | 3 | 26.25 | 3.50 | 1,750 | 12.10 | 200 | 2,428 | UNA-263, C-3 |
| SO-C4 | 4 | 26.25 | 3.50 | 2,350 | 14.90 | 200 | 2,974 | UNA-264, C-4 |
| SO-C5 | 5 | 26.25 | 3.50 | 2,850 | 17.40 | 150 | 2,613 | UNA-265, C-5 |
| SO-C6 | 6 | 26.25 | 3.50 | 3,500 | 21.30 | 125 | 2,661 | UNA-211, C-6 |
| SO-C21.03 | 3 | 26.25 | 3.50 | 1,300 | 10.70 | 200 | 2,140 | C-2 |
| SO-C31.03 | 3 | 26.25 | 3.50 | 1,750 | 12.10 | 200 | 2,428 | C-3 |
| SO-C41.03 | 4 | 26.25 | 3.50 | 2,350 | 14.90 | 200 | 2,974 | C-4 |
| SO-C51.03 | 5 | 26.25 | 3.50 | 2,850 | 17.40 | 150 | 2,613 | C-5 |
| SO-C61.03 | 6 | 26.25 | 3.50 | 3,500 | 21.30 | 125 | 2,661 | C-6 |

SLIPPER HOOK – 2" WIDE



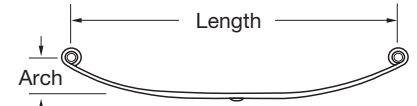
| PART NUMBER | NUMBER OF LEAVES | FREE LENGTH | FREE ARCH | CAPACITY PER SPRING | WEIGHT EACH | SKID QTY. | SKID WT. | REFERENCE NUMBERS |
|-------------|------------------|-------------|-----------|---------------------|-------------|-----------|-----------|-------------------|
| SH-7229 | 4 | 26.50" | 3.18" | 1,500 lb. | 15.80 lb. | 150 pc. | 2,366 lb. | UNA-229, 60-3T3 |
| SH-7230 | 4 | 26.50 | 3.00 | 2,000 | 16.40 | 150 | 2,460 | UNA-230, 80-3T3 |
| SH-7231 | 4 | 26.50 | 3.06 | 2,500 | 17.60 | 150 | 2,640 | UNA-231, 100-3T3 |
| SH-7232 | 5 | 26.50 | 3.18 | 3,500 | 20.40 | 125 | 2,550 | UNA-232, 120-3T3 |
| SH-7232RB | 5 | 26.50 | 3.18 | 3,500 | 20.50 | 125 | 2,563 | 120-3T3 RB |
| SH-7233 | 7 | 26.50 | 3.00 | 4,000 | 27.00 | 125 | 3,375 | UNA-233, 140-3T3 |
| SH-E5226 | 5 | 26.50 | 3.50 | 3,400 | 20.50 | 125 | 2,563 | UNA-160, 5226 |
| SH-E5115 | 6 | 29.50 | 3.50 | 4,300 | 28.70 | 100 | 2,870 | UNA-161, 5115 |

SLIPPER RADIUS – 1³/₄" WIDE



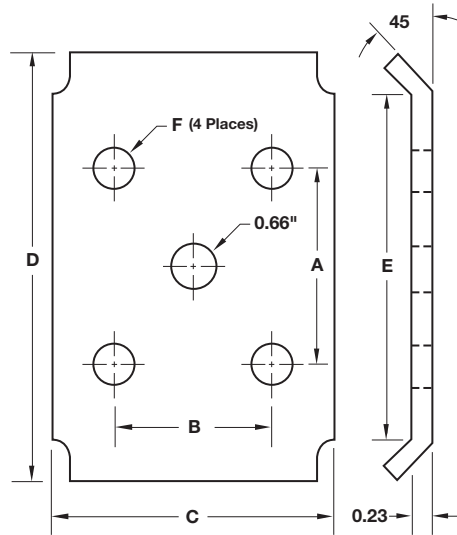
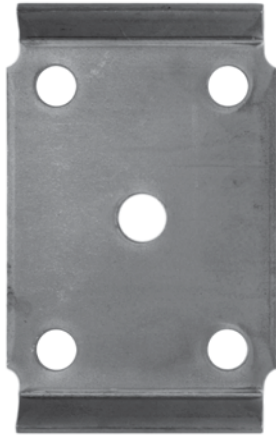
| PART NUMBER | NUMBER OF LEAVES | FREE LENGTH | FREE ARCH | CAPACITY PER SPRING | WEIGHT EACH | SKID QTY. | SKID WT. | REFERENCE NUMBERS |
|-------------|------------------|-------------|-----------|---------------------|-------------|-----------|-----------|-------------------|
| SR-WC1 | 1 | 24.62" | 4.50" | 280 lb. | 4.20 lb. | 250 pc. | 1,050 lb. | UNA-176, WC-1 |
| SR-WC2 | 2 | 24.62 | 4.50 | 550 | 5.40 | 250 | 1,350 | UNA-177, WC-2 |
| SR-WE3 | 3 | 24.62 | 4.50 | 750 | 7.80 | 200 | 1,558 | UNA-178, WE-3 |
| SR-WH4 | 4 | 24.62 | 4.50 | 1,000 | 9.00 | 200 | 1,800 | UNA-179, WH-4 |
| SR-WI5 | 5 | 24.62 | 4.50 | 1,200 | 12.10 | 200 | 2,420 | UNA-180, WI-5 |
| SR-028 | 2 | 32.00 | 4.25 | 600 | 7.80 | 200 | 1,558 | UNA-028 |
| SR-034 | 3 | 32.00 | 4.25 | 800 | 10.90 | 200 | 2,180 | UNA-034 |
| SR-024 | 4 | 32.00 | 4.25 | 1,100 | 12.40 | 200 | 2,480 | UNA-024 |
| SR-029 | 5 | 32.00 | 4.25 | 1,400 | 14.40 | 200 | 2,920 | UNA-029 |
| SR-029N | 6 | 32.00 | 4.25 | 1,750 | 18.30 | 150 | 2,745 | UNA-029N |

MOBILE HOME – 1³/₄" WIDE

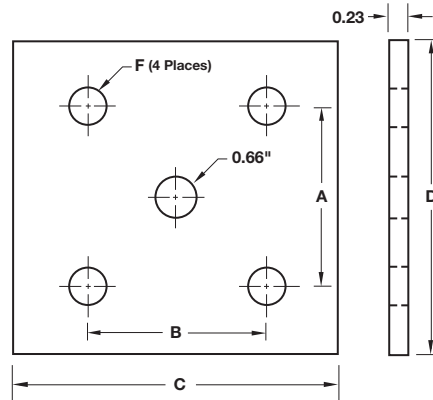
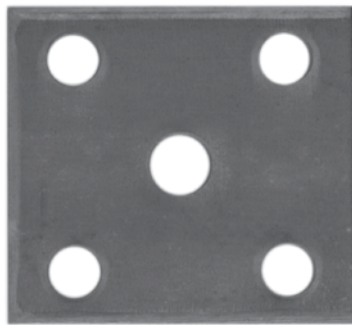


| PART NUMBER | NUMBER OF LEAVES | FREE LENGTH | FREE ARCH | CAPACITY PER SPRING | BUSHING ID. | WEIGHT EACH | SKID QTY. | SKID WT. | REFERENCE NUMBERS |
|-------------|------------------|-------------|-----------|---------------------|-------------|-------------|-----------|-----------|-----------------------|
| DE-7240 | 1 | 25.25" | 3.00" | 3,000 lb. | 0.590" Eye | 8.70 lb. | 440 pc. | 3,826 lb. | UNA-115, 72-40, TE-30 |

- Nylon bushings, brass bushings and rubber bushings are available upon request.
- Bushing ID: Standard = Nylon 0.562", RB = Rubber 0.625", 1.03 = No bushing 1.031"
- * All specifications given are for reference only. Spring mounting will affect actual capacity. The capacity given above is the maximum rating per spring.



Type 1



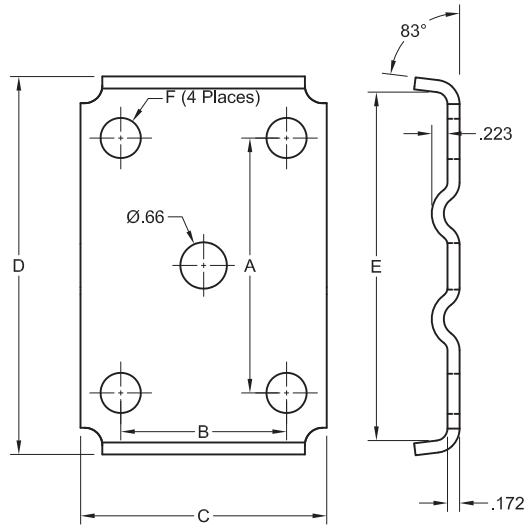
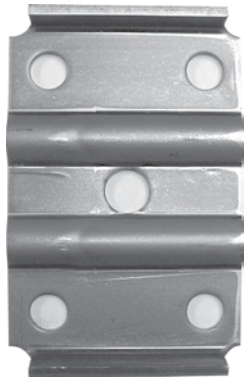
Type 2

| PART NUMBER | TYPE | TUBE DIA. | SPRING WIDTH | DIMENSIONS | | | | | | REF. NO. | CASE QTY. | CASE WT. |
|---------------|------|-----------|--------------|------------|-------|-------|-------|------|-------|----------|-----------|----------|
| | | | | A | B | C | D | E | F | | | |
| TP-175173 | 2 | 1.75" | 1.75" | 2.19" | 2.19" | 3.75" | 3.50" | N/A | 0.41" | TP-7 | 1,000 pc. | 840 lb. |
| TP-175175 | 2 | 1.75 | 1.75 | 2.31 | 2.31 | 3.75 | 3.50 | N/A | 0.56 | 12-14 | 1,000 | 840 |
| TP-200175 | 1 | 2.00 | 1.75 | 2.63 | 2.38 | 4.00 | 5.92 | 4.80 | 0.62 | — | 1,000 | 1,320 |
| TP-200175-T2 | 2 | 2.00 | 1.75 | 2.63 | 2.38 | 3.50 | 3.50 | N/A | 0.56 | — | 1,000 | 730 |
| *TP-200175-56 | 1 | 2.00 | 1.75 | 2.63 | 2.38 | 3.50 | 5.92 | 4.80 | 0.56 | — | 1,000 | 1,320 |
| TP-238175 | 1 | 2.38 | 1.75 | 2.94 | 2.31 | 3.75 | 5.92 | 4.80 | 0.56 | 12-3 | 1,000 | 1,460 |
| TP-238200 | 1 | 2.38 | 2.00 | 2.94 | 2.56 | 4.00 | 5.92 | 4.80 | 0.56 | 12-4 | 1,000 | 1,560 |
| TP-300175 | 1 | 3.00 | 1.75 | 3.62 | 2.38 | 3.75 | 5.92 | 4.80 | 0.56 | 12-1 | 1,000 | 1,450 |
| TP-300200 | 1 | 3.00 | 2.00 | 3.56 | 2.59 | 4.00 | 5.92 | 4.80 | 0.56 | 12-2 | 1,000 | 1,560 |
| TP-300209 | 1 | 3.00 | 2.00 | 3.56 | 2.59 | 4.00 | 5.92 | 4.80 | 0.62 | 21-12-2 | 1,000 | 1,550 |
| *TP-350200 | 1 | 3.50 | 2.00 | 4.13 | 2.63 | 4.00 | 7.00 | 5.69 | 0.69 | — | 1,000 | 2,870 |

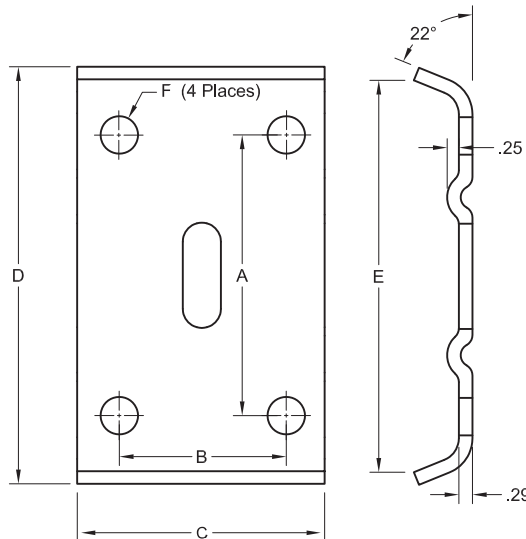
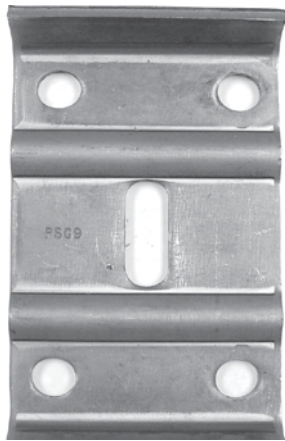
- Material: High quality pickled and oiled structural steel per ASTM specifications.
- Available galvanized and with clear or yellow chromate on zinc, call for availability and pricing.
- The specifications and dimensions above are for reference only.

* Non-stock items. Minimum order quantities and longer lead time will apply.

U-BOLT TIE PLATES (cont.)



Type 3



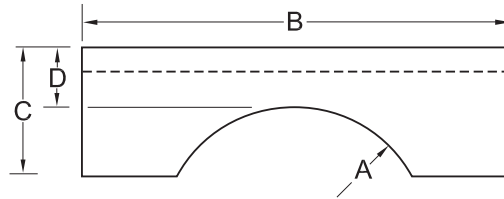
Type 4

| PART NUMBER | TYPE | TUBE DIA. | SPRING WIDTH | DIMENSIONS | | | | | | REF. NO. | CASE QTY. | CASE WT. |
|----------------|------|-----------|--------------|------------|-------|-------|-------|-----|-------|----------|-----------|-----------|
| | | | | A | B | C | D | E | F | | | |
| *TP-238175-50R | 3 | 2.38" | 1.75" | 2.88" | 2.25" | 3.50" | 4.75" | N/A | 0.50" | — | 2,000 pc. | 2,420 lb. |
| TP-238175R | 3 | 2.38 | 1.75 | 2.94 | 2.31 | 3.75 | 4.75 | N/A | 0.56 | — | 2,000 | 2,200 |
| *TP-238200R | 3 | 2.38 | 2.00 | 2.88 | 2.50 | 3.75 | 4.75 | N/A | 0.50 | — | 1,000 | 1,100 |
| TP-300175R | 3 | 3.00 | 1.75 | 3.62 | 2.35 | 3.50 | 5.37 | N/A | 0.56 | — | 2,000 | 2,200 |
| *TP-300200-56R | 3 | 3.00 | 2.00 | 3.62 | 2.60 | 3.75 | 5.37 | N/A | 0.56 | — | 2,000 | 2,400 |
| *TP-500250R | 4 | 5.00 | 2.50 | 5.77 | 3.25 | 5.00 | 9.00 | N/A | 0.69 | 12-49 | 250 | 1,000 |
| *TP-500300R | 4 | 5.00 | 3.00 | 5.75 | 3.88 | 6.00 | 9.00 | N/A | 0.69 | 12-53 | 200 | 1,180 |
| *TP-500300-81R | 4 | 5.00 | 3.00 | 5.87 | 3.88 | 6.00 | 9.00 | N/A | 0.81 | 12-46 | 200 | 1,100 |
| *TP-513250R | 4 | 5.13 | 2.50 | 5.94 | 3.38 | 5.00 | 9.00 | N/A | 0.81 | — | 250 | 1,000 |

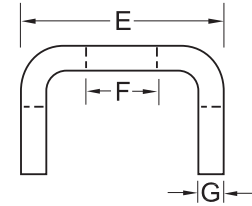
- Material: High quality, HSLA pickled and oiled structural steel per ASTM specifications.
- Available galvanized and with clear or yellow chromate on zinc, call for availability and pricing.
- The specifications and dimensions above are for reference only.
- * Non-stock items. Minimum order quantities and longer lead time will apply.



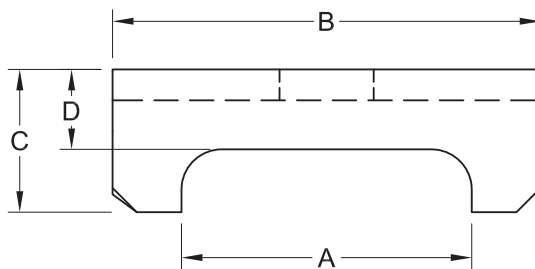
Round Tube



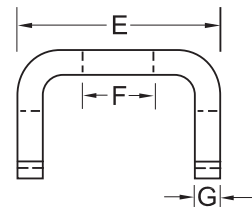
Type 1



Square/Rectangular Tube

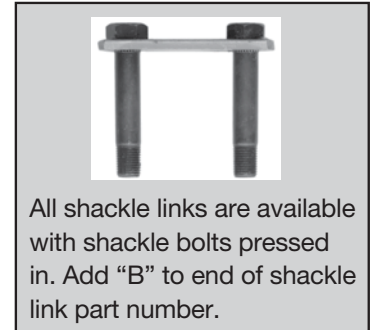
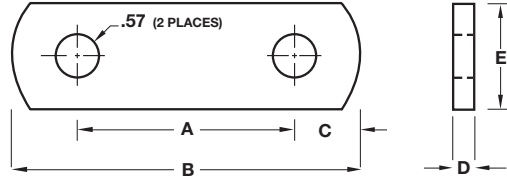
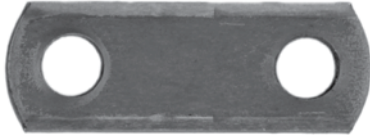


Type 2



| PART NUMBER | TYPE | TUBE DIA. | DIMENSIONS | | | | | | | REF. NO. | UNIT WT. | CASE QTY. | CASE WT. |
|-------------|------|-----------|------------|-------|-------|-------|-------|-------|-------|----------|----------|-----------|----------|
| | | | A | B | C | D | E | F | G | | | | |
| SS-175 | 1 | 1.75" | 0.88" | 2.25" | 0.94" | 0.53" | 1.85" | 0.67" | 0.22" | 3-23 | 0.38 lb. | 2,000 pc. | 745 lb. |
| SS-238 | 1 | 2.38 | 1.19 | 4.00 | 1.20 | 0.56 | 1.85 | 0.67 | 0.22 | 3-8 | 0.77 | 2,000 | 1,600 |
| SS-300 | 1 | 3.00 | 1.51 | 4.00 | 1.20 | 0.56 | 1.85 | 0.67 | 0.22 | 3-1 | 0.74 | 1,000 | 770 |
| SS-350 | 1 | 3.50 | 1.76 | 4.00 | 1.20 | 0.56 | 1.85 | 0.67 | 0.22 | 90316 | 0.75 | 500 | 400 |
| *SS-500 | 1 | 5.00 | 2.54 | 6.00 | 1.60 | 0.78 | 2.50 | 0.88 | 0.38 | N/A | 2.14 | 500 | 1,100 |
| *SS-200 | 2 | 2.00 | 2.03 | 3.00 | 0.94 | 0.53 | 1.85 | 0.67 | 0.22 | N/A | 0.45 | 2,000 | 920 |

- Material: High quality pickled and oiled structural steel per ASTM specifications.
- The specifications and dimensions above are for reference only.
- * Non-stock items. Minimum order quantities and longer lead time will apply.



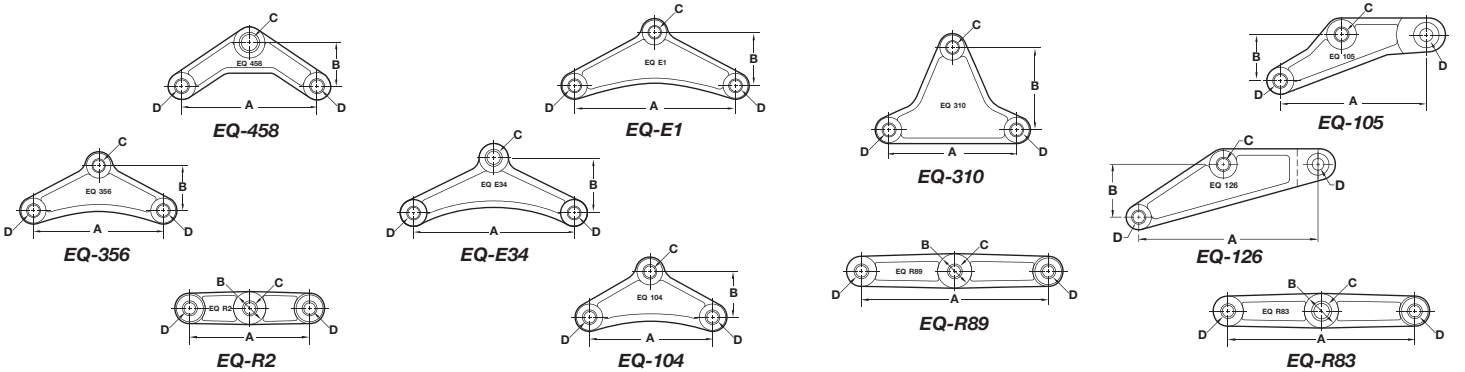
| PART NUMBER | DIMENSIONS | | | | | REF. NO. | UNIT WT. | CASE QTY. | CASE WT. |
|--------------------|------------|-------|-------|-------|-------|----------|-----------|-----------|----------|
| | A | B | C | D | E | | | | |
| SL-200 | 2.00" | 3.25" | 0.63" | 0.22" | 1.25" | 18-11 | 0.230 lb. | 2,000 pc. | 490 lb. |
| SL-225 | 2.25 | 3.50 | 0.63 | 0.22 | 1.25 | 115841D | 0.235 | 2,000 | 500 |
| *SL-250 | 2.50 | 3.78 | 0.63 | 0.22 | 1.25 | — | 0.240 | 2,000 | 510 |
| SL-256 | 2.56 | 3.81 | 0.63 | 0.22 | 1.25 | 18-115 | 0.240 | 2,000 | 510 |
| *SL-263 | 2.63 | 3.90 | 0.63 | 0.22 | 1.25 | — | 0.261 | 2,000 | 552 |
| SL-275 | 2.75 | 4.00 | 0.63 | 0.22 | 1.25 | N/A | 0.264 | 2,000 | 558 |
| SL-313 | 3.13 | 4.38 | 0.63 | 0.22 | 1.25 | 18-12 | 0.285 | 2,000 | 600 |
| SL-350 | 3.50 | 4.75 | 0.63 | 0.22 | 1.25 | 18-3.5 | 0.314 | 6,000 | 1,974 |
| *SL-363 | 3.63 | 4.90 | 0.63 | 0.22 | 1.25 | — | 0.263 | 2,000 | 556 |
| *SL-425 | 4.25 | 5.53 | 0.63 | 0.22 | 1.25 | — | 0.335 | 2,000 | 700 |
| *SL-475 | 4.75 | 6.03 | 0.63 | 0.22 | 1.25 | — | 0.405 | 2,000 | 840 |
| *SL-225-150 | 2.25 | 3.53 | 0.63 | 0.25 | 1.50 | — | 0.420 | 2,000 | 870 |
| SL-250-150 | 2.50 | 3.78 | 0.63 | 0.25 | 1.50 | — | 0.440 | 2,000 | 910 |
| SL-275-150 | 2.75 | 4.03 | 0.63 | 0.25 | 1.50 | — | 0.470 | 2,000 | 970 |
| SL-313-150 | 3.13 | 4.40 | 0.63 | 0.22 | 1.50 | — | 0.340 | 2,000 | 710 |
| *SL-375-150 | 3.75 | 5.03 | 0.63 | 0.25 | 1.50 | — | 0.580 | 2,000 | 1,190 |
| SL-400-150 | 4.00 | 5.28 | 0.63 | 0.22 | 1.50 | — | 0.445 | 2,000 | 920 |
| SL-450-150 | 4.50 | 5.78 | 0.63 | 0.22 | 1.50 | — | 0.470 | 2,000 | 500 |
| *SL-525-150 | 5.25 | 6.53 | 0.63 | 0.25 | 1.50 | — | 0.740 | 2,000 | 1,510 |
| *SL-556-150 | 5.56 | 6.84 | 0.63 | 0.25 | 1.50 | — | 0.780 | 2,000 | 1,590 |

- Material: High quality pickled and oiled structural steel per ASTM specifications.
 - Shackle Links available with clear or yellow chromate on zinc plate and galvanized, call for availability and pricing.
 - The specifications and dimensions above are for reference only.
- * Non-stock items. Minimum order quantities and longer lead time will apply.



CAST EQUALIZERS

All cast equalizers are manufactured from ductile iron. Equalizers are manufactured to industry standards and come finished in black paint.

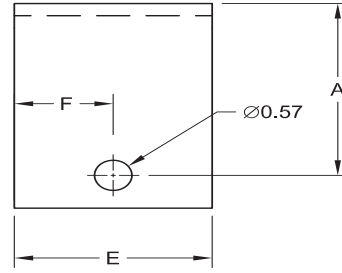
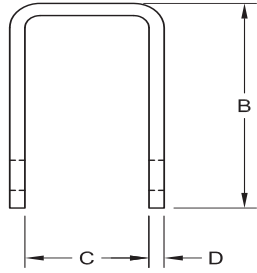


| PART NUMBER | DIMENSIONS | | | | UNIT WT. | CASE QTY. | CASE WT. |
|-------------|------------|-------|--------|--------|----------|-----------|----------|
| | A | B | C | D | | | |
| EQ-R2 | 5.50" | 1.50" | 0.563" | 0.563" | 2.65 lb. | 250 pc. | 715 lb. |
| *EQ-310 | 6.06 | 4.00 | 0.563 | 0.563 | 2.85 | 630 | 1,900 |
| *EQ-104 | 5.75 | 2.00 | 0.563 | 0.563 | 1.95 | 1,000 | 2,000 |
| *EQ-356 | 6.13 | 2.50 | 0.563 | 0.563 | 2.25 | 1,000 | 2,320 |
| EQ-458 | 6.25 | 2.00 | 0.750 | 0.563 | 2.35 | 900 | 2,225 |
| EQ-105 | 6.75 | 2.00 | 0.563 | 0.563 | 3.45 | 576 | 2,090 |
| EQ-126 | 9.06 | 3.00 | 0.563 | 0.563 | 3.90 | 300 | 1,240 |
| *EQ-E1 | 7.75 | 2.88 | 0.563 | 0.563 | 2.75 | 700 | 2,000 |
| EQ-E34 | 7.75 | 2.88 | 0.750 | 0.563 | 3.45 | 700 | 2,520 |
| EQ-R83 | 8.00 | 1.75 | 0.750 | 0.563 | 3.30 | 200 | 690 |
| EQ-R89 | 8.00 | 1.75 | 0.563 | 0.563 | 3.35 | 200 | 700 |

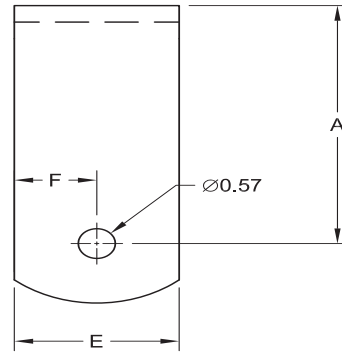
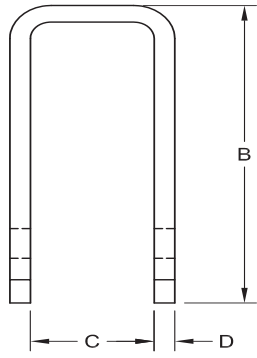
• The specifications and dimensions above are for reference only.
 * Also available galvanized, call for availability and pricing.



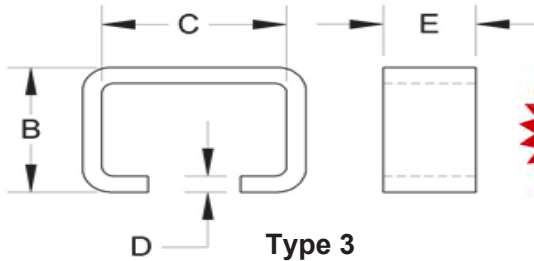
SPRING HANGERS – 1 3/4" WIDE SPRINGS



Type 1



Type 2



Type 3



| PART NUMBER | DIMENSIONS | | | | | | | REF. NO. | UNIT WT. | CASE QTY. | CASE WT. |
|----------------|------------|-------|-------|-------|-------|-------|-------|----------|----------|-----------|----------|
| | TYPE | A | B | C | D | E | F | | | | |
| HG-100 | 1 | 1.13" | 2.13" | 1.44" | 0.23" | 1.50" | 0.75" | — | 0.41 lb. | 1,000 pc. | 407 lb. |
| HG-112 | 1 | 1.12 | 2.13 | 1.30 | 0.23 | 3.00 | 1.50 | 93003X | 1.20 | 2,000 | 2,400 |
| HG-144 | 1 | 1.44 | 2.06 | 1.88 | 0.23 | 3.00 | 1.50 | 28-6 | 0.67 | 2,000 | 1,340 |
| HG-200 | 1 | 2.00 | 2.63 | 1.88 | 0.23 | 3.00 | 1.50 | 29-8 | 1.21 | 1,000 | 1,205 |
| HG-246 | 1 | 2.46 | 3.09 | 1.88 | 0.23 | 3.00 | 1.50 | 28-3 | 1.37 | 750 | 1,027 |
| HG-325 | 1 | 3.25 | 3.87 | 1.88 | 0.23 | 3.00 | 1.50 | 28-5 | 1.66 | 1,500 | 2,490 |
| HG-425 | 1 | 4.25 | 4.87 | 1.88 | 0.23 | 3.00 | 1.50 | 28-4 | 2.18 | 500 | 1,080 |
| *HG-538 | 1 | 5.38 | 6.19 | 1.88 | 0.38 | 3.00 | 1.50 | — | 4.53 | 500 | 2,265 |
| *HG-194 | 2 | 1.94 | 2.81 | 1.88 | 0.22 | 2.50 | 1.25 | — | 0.77 | 1,000 | 770 |
| *HG-350 | 2 | 3.50 | 4.38 | 1.88 | 0.22 | 2.50 | 1.25 | — | 1.39 | 750 | 1,040 |
| *HG-475 | 2 | 4.75 | 5.63 | 1.88 | 0.30 | 2.50 | 1.25 | — | 2.52 | 500 | 1,260 |
| HG-SS | 3 | N/A | 1.21 | 2.00 | 0.21 | 1.00 | N/A | 4104-4 | 0.28 | 2,000 | 561 |

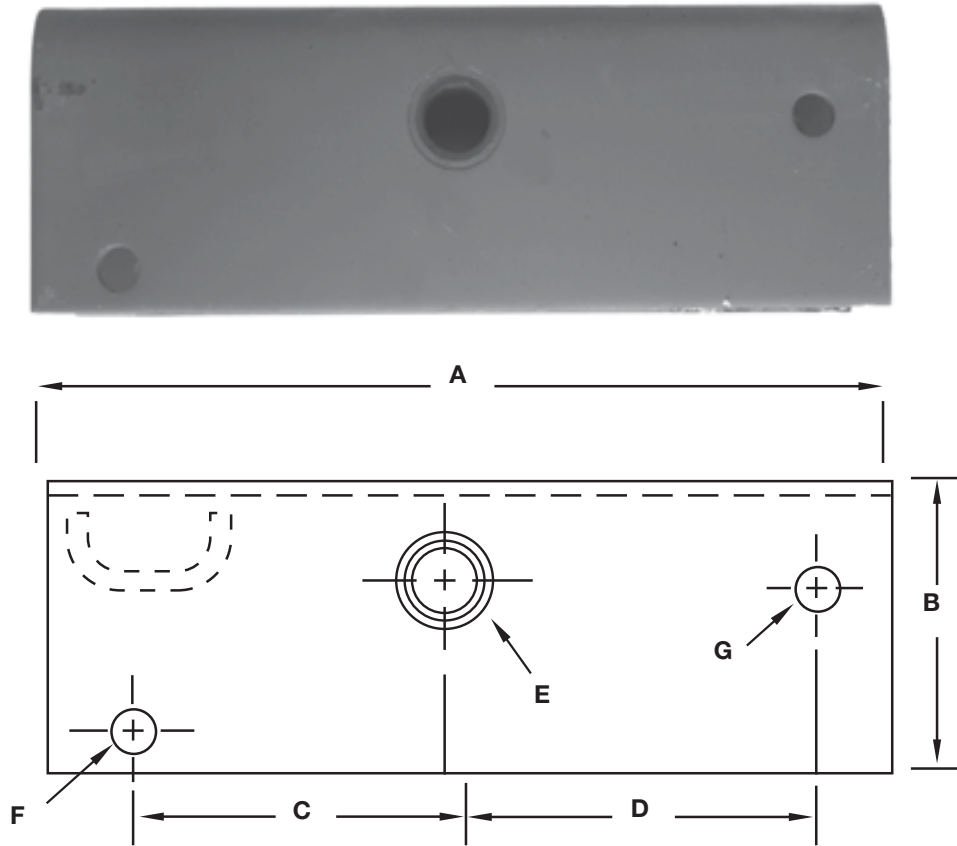


- Material: High quality pickled and oiled structural steel per ASTM specifications.
- Other spring hangers are available upon request.
- The specifications and dimensions above are for reference only.
- * Non-stock item. Minimum order quantities and longer lead time will apply.



STEEL FABRICATED EQUALIZERS – 2" WIDE SPRINGS

The following steel fabricated equalizers are designed for the use of 2" wide slipper springs in a tandem or triple axle application. The equalizers are made to industry standards.



NOTE: Center bushing for EQ-5541 and EQ-4541 utilize .88" ID. nylon bushing encased in a 1.31" OD. x 1.06" ID. steel tube.

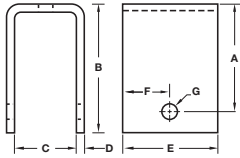
| PART NUMBER | DIMENSIONS | | | | | | | | REF. NO. | UNIT WT. | CASE QTY. | CASE WT. |
|-----------------|------------|-------|-------|-------|-------|-------|-------|-------|----------|----------|-----------|----------|
| | A | B | C | D | E | F | G | t | | | | |
| EQ-1304 | 11.00" | 3.50" | 5.19" | 4.63" | 0.88" | 0.44" | 0.56" | 0.22" | 13-4 | 6.60 lb. | 144 pc. | 950 lb. |
| *EQ-5541 | 12.00 | 4.00 | 4.44 | 4.75 | 0.88 | 0.56 | 0.56 | 0.31 | 5541 | 9.80 | 126 | 1,235 |
| EQ-1344 | 13.00 | 3.50 | 5.94 | 5.50 | 0.88 | 0.44 | 0.56 | 0.22 | 13-44-1 | 7.78 | 144 | 1,120 |
| EQ-4541 | 12.00 | 4.00 | 4.44 | 4.75 | 0.88 | 0.56 | 0.56 | 0.24 | 4541 | 8.20 | 126 | 1,035 |

- Material: High quality hot rolled structural steel.
- All equalizers use a .88" equalizer bolt.
- Dimension "t" equals thickness of material.
- EQ-1304 and EQ-1344 not supplied with nylon bushing.
- The specifications and dimensions above are for reference only.
- * *Non-stock items. Minimum order quantities and longer lead time will apply.*

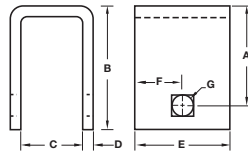


SPRING HANGERS – 2" WIDE SPRINGS

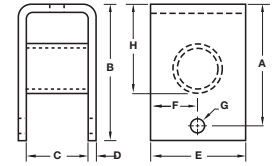
STANDARD DUTY



HG-281-F / HG-2891-F

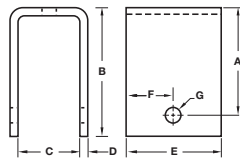


HG-291-C / HG-2951-C

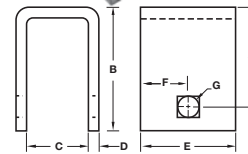


HG-3028-R / HG-3061-R

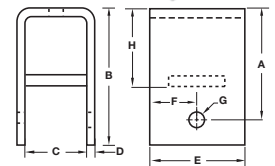
HEAVY DUTY



HG-15844-F / HG-15843-F



HG-15864-C / HG-15863-C



HG-15854-R / HG-15853-R

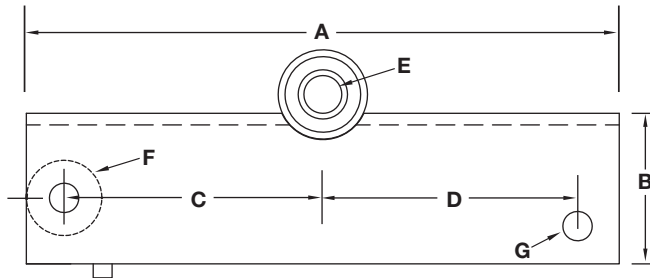
| PART NUMBER | DIMENSIONS | | | | | | | | REF. NO. | UNIT WT. | CASE QTY. | CASE WT. |
|-------------------|------------|-------|-------|-------|-------|-------|-----------|------|----------|----------|-----------|----------|
| | A | B | C | D | E | F | G | H | | | | |
| HG-281-F | 4.25" | 4.88" | 2.25" | 0.25" | 3.00" | 1.50" | 0.57" | N/A | 28-1 | 2.43 lb. | 400 pc. | 970 lb. |
| HG-291-C | 3.50 | 4.50 | 3.06 | 0.31 | 3.00 | 1.50 | 0.89/0.90 | N/A | 29-1 | 2.80 | 375 | 1,050 |
| HG-3028-R | 5.37 | 6.00 | 2.25 | 0.25 | 3.00 | 1.50 | 0.38 | 3.75 | 30-28 | 3.32 | 250 | 830 |
| *HG-2891-F | 5.00 | 5.63 | 2.25 | 0.25 | 3.00 | 1.50 | 0.57 | 2.88 | 28-9-1 | 3.28 | 250 | 820 |
| *HG-2951-C | 4.50 | 5.53 | 3.06 | 0.31 | 3.00 | 1.50 | 0.89/0.90 | 2.48 | 29-5-1 | 4.08 | 250 | 1,020 |
| *HG-3061-R | 6.43 | 7.06 | 2.25 | 0.25 | 3.00 | 1.50 | 0.38 | 4.82 | 30-6-1 | 3.76 | 250 | 940 |
| HG-15844-F | 3.56 | 4.31 | 2.19 | 0.30 | 4.00 | 2.00 | 0.57 | N/A | 1584-4 | 3.32 | 500 | 1,663 |
| HG-15864-C | 3.38 | 4.50 | 3.13 | 0.30 | 4.00 | 2.00 | 0.84/0.90 | N/A | 1586-4 | 3.69 | 500 | 1,847 |
| HG-15854-R | 5.06 | 6.00 | 2.19 | 0.30 | 4.00 | 2.00 | 0.57 | 3.47 | 1585-4 | 4.78 | 500 | 2,391 |
| HG-15843-F | 3.56 | 4.31 | 2.19 | 0.30 | 3.00 | 1.50 | 0.57 | N/A | 1584 | 2.52 | 750 | 1,888 |
| HG-15863-C | 3.38 | 4.50 | 3.13 | 0.37 | 3.00 | 1.50 | 0.84/0.90 | N/A | 1586 | 3.31 | 750 | 2,480 |
| HG-15853-R | 5.06 | 6.00 | 2.19 | 0.30 | 3.00 | 1.50 | 0.57 | 3.47 | 1585 | 3.34 | 750 | 2,500 |

- Material: High quality hot rolled structural steel.
- Other spring hangers are available upon request.
- The specifications and dimensions above are for reference only.
- * Non-stock item. Minimum order quantities and longer lead time will apply.



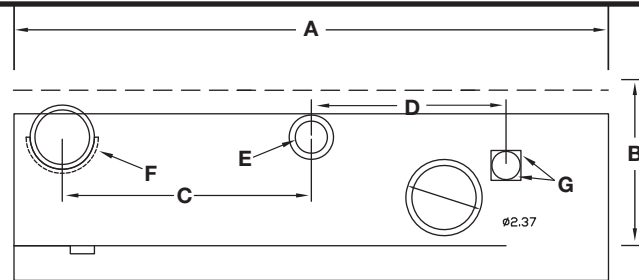
10K GENERAL DUTY STEEL FABRICATED EQUALIZERS - 2 1/2" WIDE SPRINGS

The following steel fabricated equalizers are designed for the use of 2 1/2" wide slipper springs in a tandem or triple axle application. The equalizers are made to industry standards and supplied as oiled metal.

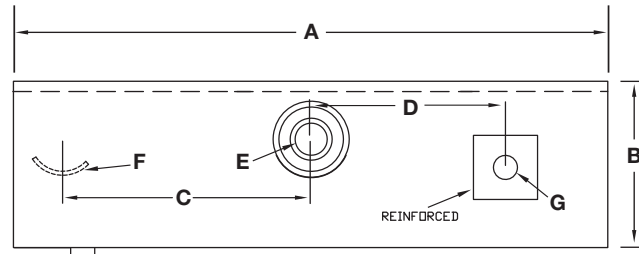


See page 31 for corresponding hanger sets.

EQ-5000GD
EQ-6000GD



EQ-42LH
EQ-42RH
EQ-48LH
EQ-48RH



EQ-13140
EQ-13141

NOTE: 1" OD. steel bushing encased in 2" ID. EPDM rubber.

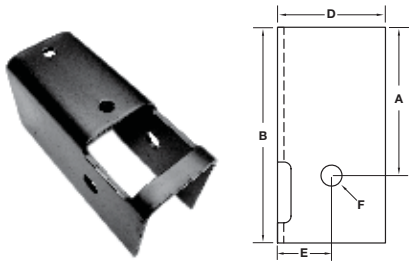
| PART NUMBER | DIMENSIONS | | | | | | | | REF. NO. | UNIT WT. | CASE QTY. | CASE WT. |
|-------------------|------------|-------|-------|-------|-------|-------|-------|-------|----------|----------|-----------|-----------|
| | A | B | C | D | E | F | G | t | | | | |
| EQ-5000GD | 15.75" | 4.75" | 7.00" | 7.88" | 1.00" | 2.38" | 0.78" | 0.31" | 5000GD | 20 lb. | 130 pc. | 2,600 lb. |
| EQ-6000GD | 21.75 | 4.75 | 10.00 | 10.88 | 1.00 | 2.38 | 0.78 | 0.31 | 6000GD | 26 | 100 | 2,600 |
| * EQ-42LH | 18.50 | 5.19 | 7.75 | 7.06 | 1.00 | 2.16 | 0.77 | 0.25 | 13-082 | 18 | 126 | 2,282 |
| * EQ-42RH | 18.50 | 5.19 | 7.75 | 7.06 | 1.00 | 2.16 | 0.77 | 0.25 | 13-083 | 18 | 126 | 2,282 |
| * EQ-48LH | 24.63 | 5.19 | 10.88 | 10.25 | 1.00 | 2.16 | 0.77 | 0.25 | 13-084 | 24 | 102 | 2,467 |
| * EQ-48RH | 24.63 | 5.19 | 10.88 | 10.25 | 1.00 | 2.16 | 0.77 | 0.25 | 13-085 | 24 | 102 | 2,467 |
| * EQ-13140 | 18.38 | 5.19 | 7.13 | 6.75 | 1.00 | 2.25 | 0.75 | 0.20 | 13-140 | 15 | 135 | 2,025 |
| * EQ-13141 | 24.75 | 5.19 | 10.38 | 10.00 | 1.00 | 2.25 | 0.75 | 0.20 | 13-141 | 20 | 100 | 2,000 |

- Material: High quality hot rolled structural steel.
- All equalizers use a 1" equalizer bolt.
- Dimension "t" equals thickness of material.
- The specifications and dimensions above are for reference only.
- * *Non-stock items. Minimum order quantities and longer lead time will apply.*



10K GENERAL DUTY STEEL FABRICATED EQUALIZERS - 2 1/2" WIDE SPRINGS

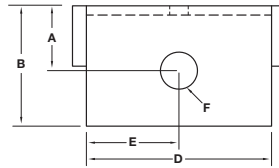
Each of the hanger sets below correspond to the steel fabricated equalizers directly opposite on page 30.



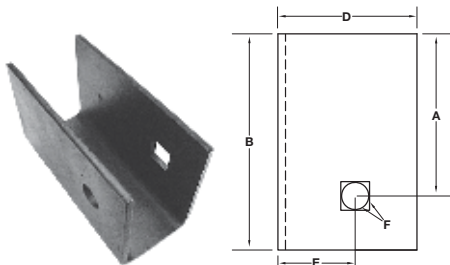
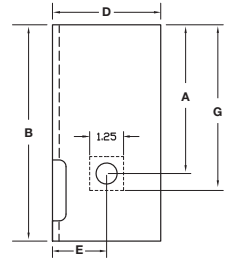
HG-3000-F



HG-2000-C



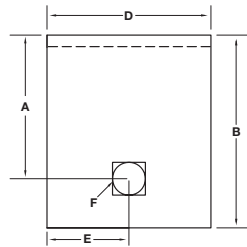
HG-4000-R



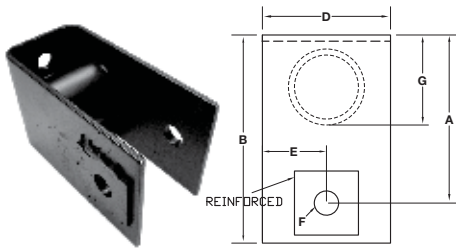
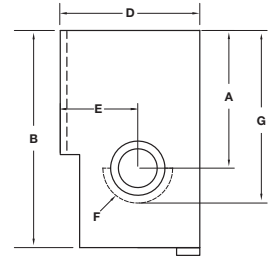
HG-1084-F-RH



HG-1086-C



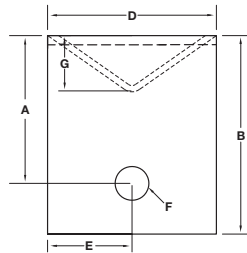
HG-3061-R



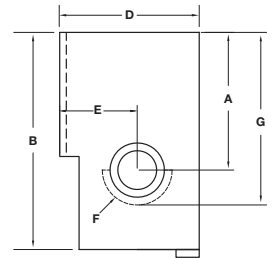
HG-2874-F



HG-2942-C



HG-3061-R



| PART NUMBER | DIMENSIONS | | | | | | | | REF. NO. | UNIT WT. | CASE QTY. | CASE WT. |
|-----------------------|------------|-------|-------|-------|-------|-------|------|-------|----------|----------|-----------|-----------|
| | A | B | C | D | E | F | G | t | | | | |
| HG-3000-F | 5.50" | 8.00" | 2.75" | 4.00" | 2.00" | 0.78" | N/A | 0.24" | 3000 | 4.60 lb. | 395 pc. | 1,817 lb. |
| HG-2000-C | 1.75 | 3.19 | 4.13 | 5.00 | 2.50 | 1.00 | N/A | 0.24 | 2000 | 5.00 | 395 | 1,975 |
| HG-4000-R | 5.50 | 8.00 | 2.75 | 4.00 | 2.00 | N/A | 6.13 | 0.24 | 4000 | 5.80 | 395 | 2,291 |
| * HG-1084-F-LH | 5.25 | 7.00 | 2.63 | 4.50 | 2.50 | 0.77 | N/A | 0.24 | 72-1084 | 5.30 | 350 | 1,840 |
| * HG-1084-F-RH | 5.25 | 7.00 | 2.63 | 4.50 | 2.50 | 0.77 | N/A | 0.24 | 72-1084 | 5.30 | 350 | 1,840 |
| * HG-1086-C | 4.38 | 5.88 | 3.25 | 5.00 | 2.50 | 1.06 | N/A | 0.37 | 72-1086 | 7.23 | 350 | 2,530 |
| * HG-3061-R | 4.44 | 7.00 | 2.62 | 4.50 | 2.50 | 2.25 | 5.56 | 0.24 | 72-1085 | 5.84 | 350 | 2,045 |
| * HG-2874-F | 5.25 | 6.50 | 2.63 | 4.00 | 2.00 | 0.76 | 2.75 | 0.19 | 28-74 | 4.30 | 330 | 1,420 |
| * HG-2942-C | 4.25 | 5.63 | 3.25 | 5.00 | 2.50 | 1.00 | 1.75 | 0.24 | 29-42 | 5.80 | 330 | 1,915 |
| * HG-3061-R | 4.44 | 7.00 | 2.75 | 4.50 | 2.50 | 2.25 | 5.56 | 0.24 | 30-61 | 5.70 | 330 | 1,880 |

- Material: High quality hot rolled structural steel.
- Dimension "C" equals the inside width of the part.
- Dimension "t" equals thickness of material.
- The specifications and dimensions above are for reference only.
- * *Non-stock items. Minimum order quantities and longer lead time will apply.*

| FABRICATED EQUALIZER BOLTS & NUTS | | | | |
|-----------------------------------|-------------------------------------|-------------------|----------|---------|
| PART NUMBER | DESCRIPTION | DIMENSIONS | BOX QTY. | BOX WT. |
| <i>FA-7-1-1</i> | Bolt, Lubed, no CPH, GR2, Plain | 4.71" x 7/8" - 9 | 50 pc. | 46 lb. |
| <i>FA-7-1-0</i> | Bolt, Lubed, CPH, GR2, Plain | 4.71" x 7/8" - 9 | 50 | 46 |
| <i>FA-7-254</i> | Bolt, Zinc, GR5, MIN 1" Full Thread | 3.29" x 3/8" - 16 | 325 | 37 |
| <i>FA-6-3</i> | Nut, Slotted Hex, Plain | 7/8" - 9 | 300 | 49 |
| <i>FA-6-111</i> | Nut, Top Lock, Plain | 7/8" - 9 | 300 | 54 |
| <i>FA-6-111Z</i> | Nut, Top Lock, Zinc | 7/8" - 9 | 300 | 54 |
| <i>FA-FLN375</i> | Nut, Lock, Zinc | 3/8" - 16 | 4,000 | 61 |

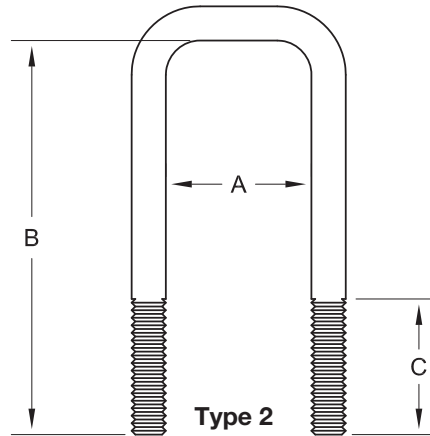
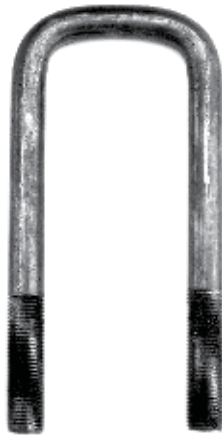
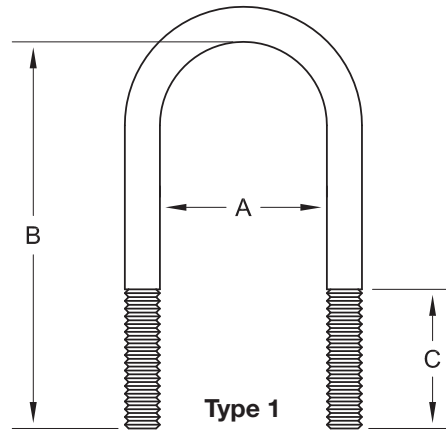
| SHACKLE BOLTS & NUTS | | | | |
|----------------------|---|--------------------|----------|---------|
| PART NUMBER | DESCRIPTION | DIMENSIONS | BOX QTY. | BOX WT. |
| <i>FA-7-3</i> | Bolt, Hex, GR5, Plain | 3.00" x 9/16" - 18 | 190 pc. | 43 lb. |
| <i>FA-7-3Z</i> | Bolt, Hex, GR5, Zinc | 3.00" x 9/16" - 18 | 190 | 43 |
| <i>FA-7-17</i> | Bolt, Hex, GR5, Plain | 3.50" x 9/16" - 18 | 175 | 51 |
| <i>FA-7-17Z</i> | Bolt, Hex, GR5, Zinc | 3.50" x 9/16" - 18 | 175 | 51 |
| <i>FA-126A1LN</i> | Bolt, Drilled Head, no Zerk, GR5, Plain | 3.50" x 3/4" - 16 | 100 | 52 |
| <i>FA-7-126</i> | Bolt, GR 5, Step Down Thread | 2.90" x 7/16" - 20 | 200 | 48 |
| <i>FA-126B2LN</i> | Bolt, Lubed, Hex, GR5, Plain | 3.00" x 9/16" - 20 | 200 | 51 |
| <i>FA-7-236-1</i> | Bolt, Lubed, Hex, GR5, Step Down Thread | 3.40" x 7/16" - 20 | 130 | 37 |
| <i>FA-7-187</i> | Bolt, Lubed, Hex, GR5, Step Down Thread | 2.90" x 7/16" - 20 | 160 | 37 |
| <i>FA-3416</i> | Nut, Slotted for FA-126AILN | 3/4" - 16 | 1,000 | 32 |
| <i>FA-916DLN</i> | Nut, Top Lock, Plain | 9/16" - 18 | 1,000 | 56 |
| <i>FA-916DLNZ</i> | Nut, Top Lock, Zinc | 9/16" - 18 | 1,000 | 56 |
| <i>FA-6-92Z</i> | Nut, Flange, Steel Zinc, No Serrations | 7/16" - 20 | 1,400 | 58 |

| LEAF SPRING CENTER BOLTS | | | | |
|--------------------------|-----------------------------------|-------------------|----------|---------|
| PART NUMBER | DESCRIPTION | DIMENSIONS | BOX QTY. | BOX WT. |
| <i>FA-LSB225</i> | Bolt, Spring Retainer | 2.25" x 3/8" - 24 | 500 pc. | 40 lb. |
| <i>FA-LSB325</i> | Bolt, Spring Retainer | 3.25" x 3/8" - 24 | 500 | 52 |
| <i>FA-LSB400</i> | Bolt, Spring Retainer | 4.00" x 3/8" - 24 | 500 | 60 |
| <i>FA-LSN375</i> | Nut, Hex for Spring Retainer Bolt | 3/8" - 24 | 950 | 40 |

| MISCELLANEOUS FASTENERS | | | | |
|-------------------------|---------------------------------|--------------------|-----------|---------|
| PART NUMBER | DESCRIPTION | DIMENSIONS | BOX QTY. | BOX WT. |
| <i>FA-7-112</i> | Press in Brake Stud, GR5 Nut, | .88" x 3/8" - 24 | 1,500 pc. | 36 lb. |
| <i>FA-6-058</i> | Flange Wheel, Zinc, GR8 Wheel | 5/8" - 18 | 150 | 41 |
| <i>FA-7-40X</i> | Bolt, Hex Head | 1.63" x 1/2" - 20 | 370 | 51 |
| <i>FA-6-080</i> | Wheel Nut, 60 Degree, GR5, Zinc | 1/2" - 20 | 700 | 60 |
| <i>FA-6-053</i> | Wheel Nut, 60 Degree, GR5, Zinc | 9/16" - 18 | 600 | 47 |
| <i>FA-6-176</i> | Spindle Nut, 12 Slot | 1.00" - 14 | 300 | 47 |
| <i>FA-6-109</i> | Wheel Nut, 90 Degree, GR8, Zinc | 5/8" - 18 | 300 | 32 |
| <i>FA-WS-1840</i> | Wheel Stud, GR8, Yellow Zinc | 1.84" x 1/2" - 20 | 100 | 13 |
| <i>FA-WS-2310</i> | Wheel Stud, GR8, Yellow Zinc | 2.31" x 9/16" - 18 | 100 | 20 |

- Other Suspension Fasteners available upon request.
- The specifications and dimensions above are for reference only.

U-BOLTS



| PART NUMBER | TYPE | TUBE DIA. | SPRING WIDTH | THREAD SIZE | DIMENSIONS | | | UNIT WT. | CASE QTY. | CASE WT. |
|-----------------------|------|-----------|--------------|-------------|------------|-------|-------|----------|-----------|-----------|
| | | | | | A | B | C | | | |
| UBR-175429-38C | 1 | 1.75" | 1.75" | 3/8"-16 | 1.81" | 4.29" | 2.00" | 0.24 lb. | 4,000 pc. | 1,100 lb. |
| UBR-175429-38F | 1 | 1.75" | 1.75" | 3/8"-24 | 1.81" | 4.29" | 2.00" | 0.24 | 4,000 | 1,100 |
| UBR-175429-50F | 1 | 1.75" | 1.75" | 1/2"-20 | 1.81" | 4.29" | 2.00" | 0.49 | 2,000 | 1,000 |
| UBR-238513-44F | 1 | 2.38" | 1.75"/2.00" | 7/16"-20 | 2.44" | 5.13" | 2.00" | 0.46 | 7,000 | 3,300 |
| UBR-238550-50F | 1 | 2.38" | 1.75"/2.00" | 1/2"-20 | 2.44" | 5.50" | 2.00" | 0.62 | 5,000 | 3,150 |
| UBR-238625-50F | 1 | 2.38" | 1.75"/2.00" | 1/2"-20 | 2.44" | 6.25" | 3.00" | 0.70 | 1,000 | 750 |
| UBR-300650-50F | 1 | 3.00" | 1.75"/2.00" | 1/2"-20 | 3.09" | 6.50" | 2.00" | 0.74 | 4,000 | 3,000 |
| UBR-300700-50F | 1 | 3.00" | 1.75"/2.00" | 1/2"-20 | 3.09" | 7.00" | 2.00" | 0.78 | 3,500 | 2,900 |
| UBR-300700-56F | 1 | 3.00" | 1.75"/2.00" | 9/16"-18 | 3.09" | 7.00" | 3.00" | 1.02 | 2,500 | 2,750 |
| UBR-350800-56F | 1 | 3.50" | 2.00" | 9/16"-18 | 3.56" | 8.00" | 2.00" | 1.16 | 300 | 500 |
| UBR-500900-63C | 1 | 5.00" | 2.50"/3.00" | 5/8"-11 | 5.06" | 9.00" | 2.00" | 1.89 | 1,500 | 2,900 |
| UBS-200575-56F | 2 | 2.00" | 1.75" | 9/16"-18 | 2.06" | 5.75" | 2.50" | 0.82 | 1,000 | 950 |
| UBS-200650-56F | 2 | 2.00" | 1.75" | 9/16"-18 | 2.09" | 6.50" | 2.50" | 0.95 | 3,200 | 3,100 |

- Material: SAE 1018 Hot Rolled.
- Stainless steel available, call for lead time and pricing.
- Available with clear or yellow chromate on zinc plating and galvanized, call for lead time and pricing.
- Letter at the end of the part number denotes course (**C**) or fine (**F**) thread.
- The specifications and dimensions above are for reference only.



MOBILE HOME AXLE PRODUCTS

TRP International continues to lead the industry with a full range of mobile home axle and suspension products.



RIM CLAMP



SINGLE LEAF SPRING



SPRING HANGER



SPRING SEAT



MULTIPLE LEAF SPRING



SHACKLE LINK



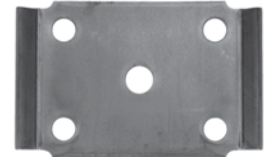
BEARING



DUST CAP



EQUALIZER



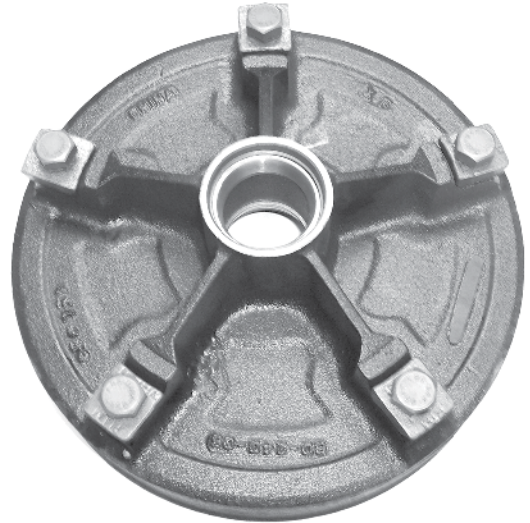
U-BOLT TIE PLATE

| PART NUMBER | DESCRIPTION | CASE QTY. |
|-------------------|------------------------------------|------------|
| FA-1512 | Rim Clamp | 15,000 pc. |
| DE-7240 | Single Leaf Spring | 440 |
| DE-7226 | Multiple Leaf Spring | 200 |
| EQ-104 | Equalizer | 1,000 |
| L-68149 | Inner Bearing Cone | 6,624 |
| L-68111 | Inner Bearing Cup | 6,624 |
| LM-67048 | Outer Bearing Cone | 6,624 |
| LM-67010 | Outer Bearing Cup | 6,624 |
| DC-250 | Dust Cap | 360 |
| SL-200 | 2.00" Shackle Link | 5,000 |
| SL-225 | 2.25" Shackle Link | 5,000 |
| HG-100 | 1.00" Spring Hanger | 2,500 |
| HG-144 | 1.44" Spring Hanger | 2,500 |
| HG-246 | 2.46" Spring Hanger | 1,250 |
| HG-325 | 3.25" Spring Hanger | 1,250 |
| TP-300175 | 3.00" Axle Tube U-Bolt Tie Plate | 2,500 |
| SS-300 | 3.00" Axle Tube Spring Seat Grease | 2,500 |
| *GS-1938SL | Seal, Single Lip 1.938" Shaft | 11,520 |

• See product page for complete dimensional descriptions and industry reference numbers.
 * Non-stock items. Minimum order quantities and longer lead time will apply.



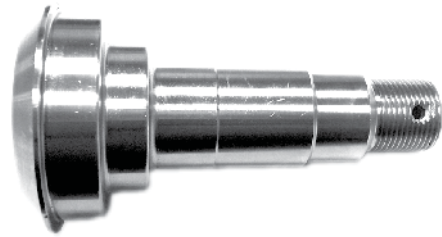
IDLER HUB



BRAKE DRUM



ELECTRIC BRAKE

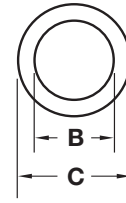
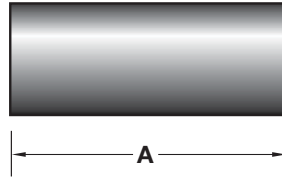


SPINDLE

| PART NUMBER | DESCRIPTION | CASE QTY. |
|-----------------|--|-----------|
| *MHI-122458-RCB | Idler Hub With Rim Clamps And Bolts | 150 pc. |
| *MHD-122459-RCB | Brake Drum With Rim Clamps And Bolts | 81 |
| *BK-12EMHL-01 | 12" Electric Brake With Magnet, Left Hand | 240 |
| *BK-12EMHR-02 | 12" Electric Brake With Magnet, Right Hand | 240 |
| *SP-122457 | Hot Forged Butt Weld Style Spindle | 1,350 |

* Non-stock items. Minimum order quantities and longer lead time will apply.

LEAF SPRING BUSHINGS


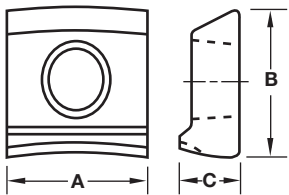


Type 1

| PART NUMBER | TYPE | DIMENSIONS | | | REF. NO. | BOX QTY. | BOX WT. |
|------------------------|------|------------|---------|---------|----------|----------|---------|
| | | A LENGTH | B ID. | C OD. | | | |
| <i>BUI-1506</i> | 1 | 1.75" | 0.5000" | 0.6875" | 226 | 300 pc. | 6 lb. |
| <i>BUI-1508</i> | 1 | 1.75" | 0.5000" | 0.8750" | 224, W-5 | 300 | 6 |
| <i>BUI-1566</i> | 1 | 1.75" | 0.5625" | 0.6875" | 227, W-1 | 300 | 6 |
| <i>BUI-1568</i> | 1 | 1.75" | 0.5625" | 0.8750" | 225, W-3 | 300 | 6 |
| <i>BUI-1561</i> | 1 | 1.75" | 0.5625" | 1.0400" | 228 | 300 | 7 |
| <i>BUI-2566</i> | 1 | 2.00" | 0.5625" | 0.6875" | 229, W-2 | 300 | 8 |
| <i>BUI-3871</i> | 1 | 3.00" | 0.8800" | 1.1250" | NB 78 | 150 | 7 |

- Material: graphite impregnated nylon
- Above quantities are approximate, actual shipment quantity may vary.
- The specifications and dimensions above are for reference only.

MOBILE HOME RIM CLAMP

| PART NUMBER | DIMENSIONS | | | CASE QTY. | CASE WT. |
|-----------------------|------------|-------|-------|------------|-----------|
| | A | B | C | | |
| <i>FA-1512</i> | 1.26" | 1.36" | 0.54" | 15,000 pc. | 2,100 lb. |

- The specifications and dimensions above are for reference only.
- * Also available galvanized, call for availability and pricing.



SHOCK ABSORBER

PARTS KIT - TOP

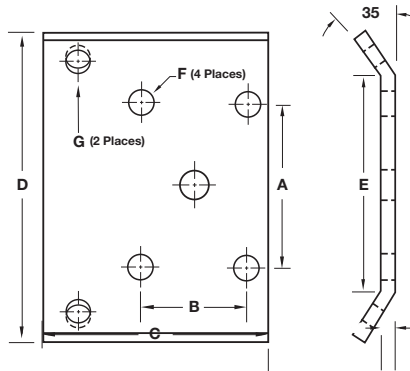
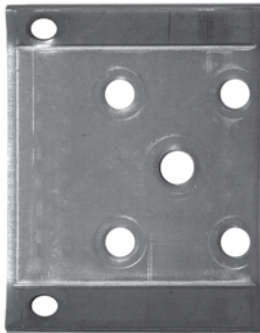


PARTS KIT - BOTTOM



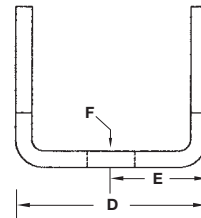
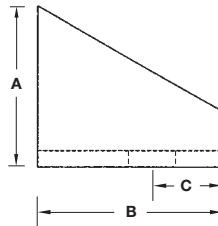
| PART NUMBER | DESCRIPTION | UNIT WT. | CASE QTY. | CASE WT. |
|-------------|-----------------------|----------|-----------|-----------|
| SA-568167 | RV Shock w/ Parts Kit | 2.75 lb. | 722 pc. | 1,986 lb. |

SHOCK TIE PLATES



| PART NUMBER | TUBE DIA. | SPRING WIDTH | DIMENSIONS | | | | | | | CASE QTY. | CASE WT. |
|-------------|-----------|--------------|------------|-------|-------|-------|-------|-------|-------|-----------|-----------|
| | | | A | B | C | D | E | F | G | | |
| TP-7710 | 2.38" | 1.75" | 2.94" | 2.31" | 5.00" | 5.92" | 4.69" | 0.56" | 0.53" | 1,500 pc. | 3,128 lb. |
| TP-7709 | 3.00" | 2.00" | 3.62" | 2.38" | 5.00" | 5.92" | 4.69" | 0.56" | 0.53" | 1,500 | 3,128 |

SHOCK MOUNTING BRACKETS



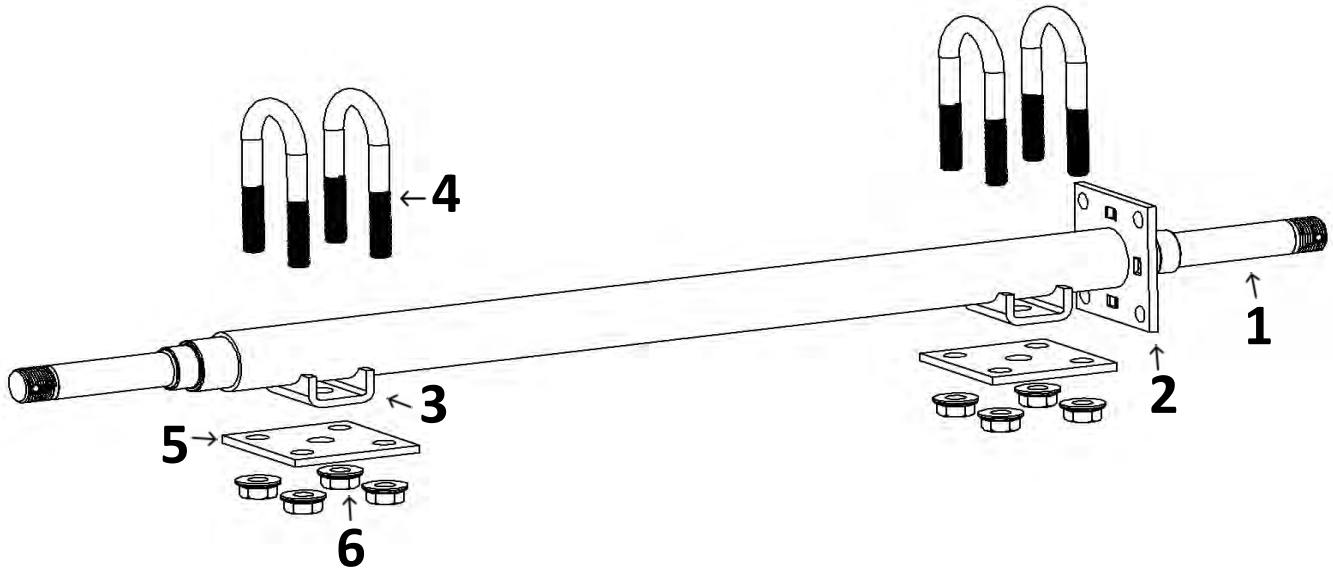
| PART NUMBER | DIMENSIONS | | | | | | CASE QTY. | CASE WT. |
|--------------|------------|-------|-------|-------|-------|-------|-----------|----------|
| | A | B | C | D | E | F | | |
| *ST-BRKT-205 | 1.75" | 2.00" | 0.69" | 2.05" | 1.02" | 0.50" | 1,000 pc. | 400 lb. |
| *ST-BRKT-325 | 2.75" | 3.25" | 0.69" | 2.05" | 1.02" | 0.50" | 1,000 | 760 |

- Material: High quality pickled and oiled structural steel per ASTM specifications.
- The specifications and dimensions above are for reference only.
- * Non-stock items. Minimum order quantities and longer lead time will apply.



AXLE COMPONENT DIAGRAM

2,000# CAPACITY



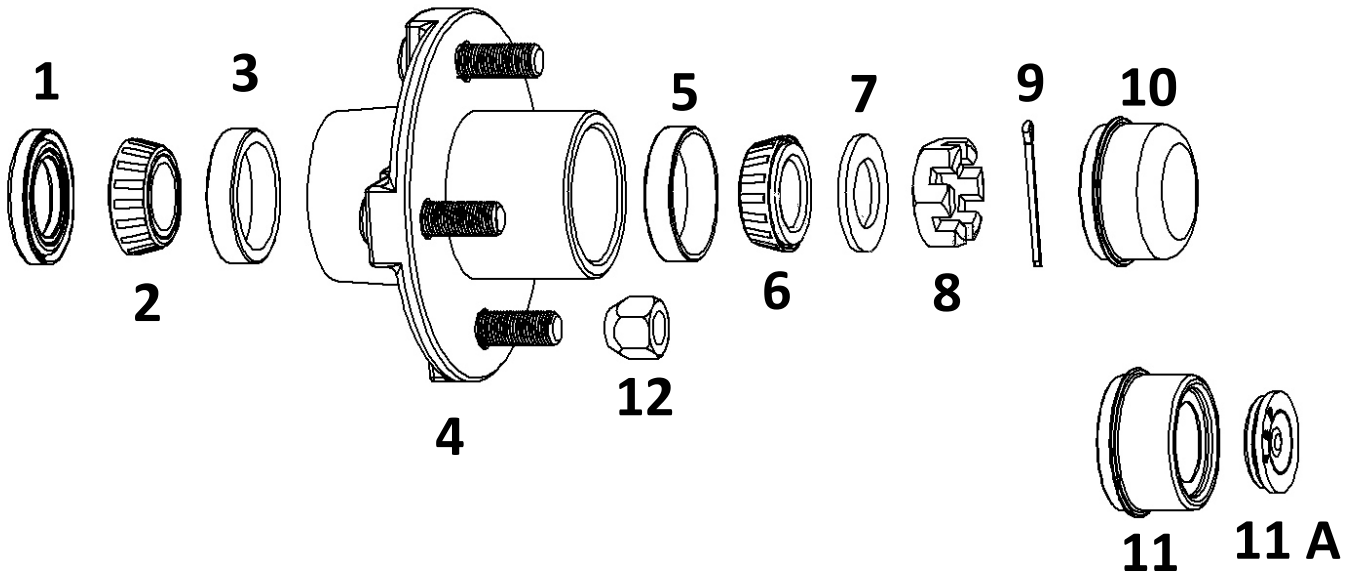
| ITEM | PART NUMBER | DESCRIPTION | CATALOG PAGE # |
|------|-----------------------|--|----------------|
| 1 | SP-HF-BT8 | Bar Stock, Butt Weld Style Spindle | 6 |
| 1 | SP-HF-BT8L | Bar Stock, Butt Weld Style Spindle | 6 |
| 1 | SP-125BT8 | Round Bar Stock, 1.25" Diameter Spindle | 8 |
| 1 | SP-150BT8 | Round Bar Stock, 1.50" Diameter Spindle | 8 |
| 1 | SP-150BT8-SQ | Square Bar Stock, 1.50" Diameter Spindle | 9 |
| 2 | PFL-41.30 | Brake Flange | 11 |
| 2 | PFL-41.51 | Brake Flange | 11 |
| 3 | SS-175 | Spring Seat, for 1.75" OD Axle Tube | 24 |
| 4 | UBR-175429-38C | U-Bolt $\frac{3}{8}$ "-16 Thread | 33 |
| 4 | UBR-175429-38F | U-Bolt $\frac{3}{8}$ "-24 Thread | 33 |
| 4 | UBR-175429-50F | U-Bolt $\frac{1}{2}$ "-20 Thread | 33 |
| 5 | TP-175173 | Tie Plate | 22 |
| 5 | TP-175175 | Tie Plate | 22 |
| 6 | FA-FLN375 | Nut, Lock, Zinc | 32 |

• The recommendations above are for reference only.



HUB COMPONENT DIAGRAM

2,000# CAPACITY



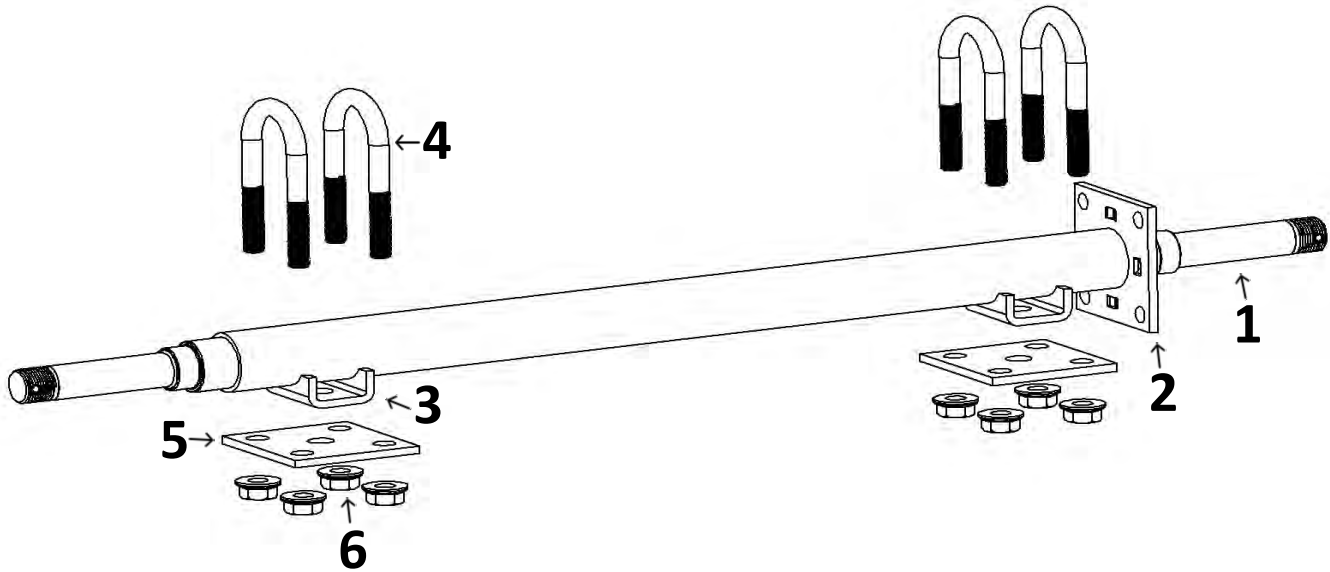
| ITEM | PART NUMBER | DESCRIPTION | CATALOG PAGE # |
|------|--------------------|---|----------------|
| 1 | <i>GS-1250DLR</i> | Grease Seal, Double Lip Rubber Coated, 1.250" | 15 |
| 1 | <i>GS-1250SL</i> | Grease Seal, Single Lip, 1.250" | 15 |
| 1 | <i>GS-1250DL</i> | Grease Seal, Double Lip, 1.250" | 15 |
| 2 | <i>L-44643</i> | Inner Bearing, Cone | 14 |
| 3 | <i>L-44610</i> | Inner Bearing, Cup | 14 |
| 4 | <i>RVI-BT-4400</i> | Idler Hub, 440 BT | 17 |
| 5 | <i>L-44610</i> | Outer Bearing, Cup | 14 |
| 6 | <i>L-44643</i> | Outer Bearing, Cone | 14 |
| 7 | <i>FA-TW100</i> | Spindle Washer, Tang | 12 |
| 7 | <i>FA-SW100</i> | Spindle Washer, Flat Round | 12 |
| 7 | <i>FA-DW-100</i> | Spindle Washer, Flat D-Washer | 12 |
| 8 | <i>FA-SN100</i> | Spindle Nut, 6 Slot | 12 |
| 9 | <i>FA-CP175</i> | Cotter Pin | 12 |
| 10 | <i>DC-200</i> | Dust Cap | 13 |
| 11 | <i>DC-200L</i> | Dust Cap, Lubed | 13 |
| 11A | <i>DC-RP</i> | Rubber Plug For Lubed Dust Cap Hole | 13 |
| 12 | <i>FA-6-080</i> | Wheel Nut, Cone | 32 |

• The recommendations above are for reference only.



AXLE COMPONENT DIAGRAM

2,500# CAPACITY



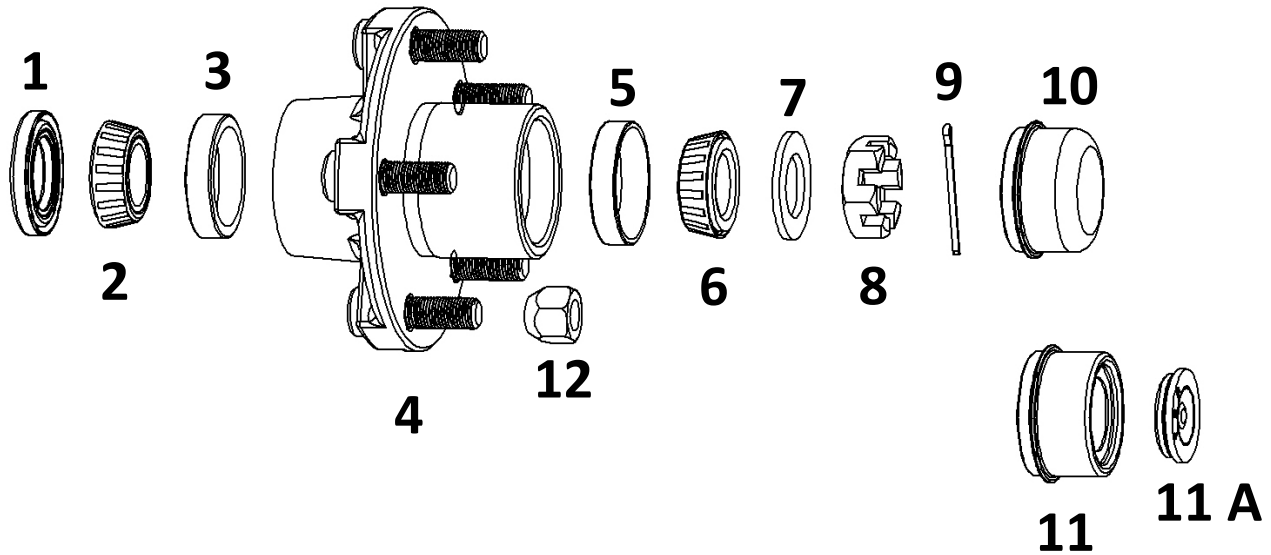
| ITEM | PART NUMBER | DESCRIPTION | CATALOG PAGE # |
|------|-----------------------|--|----------------|
| 1 | SP-HF-84BT16 | Bar Stock, Butt Weld Style Spindle | 6 |
| 1 | SP-HF-BT16 | Bar Stock, Butt Weld Style Spindle | 6 |
| 1 | SP-HF-BT16L | Bar Stock, Butt Weld Style Spindle | 6 |
| 1 | SP-125BT16 | Round Bar Stock, 1.25" Diameter Spindle | 8 |
| 1 | SP-150BT16L | Round Bar Stock, 1.50" Diameter Spindle | 8 |
| 1 | SP-150BT16-SQ | Square Bar Stock, 1.50" Diameter Spindle | 9 |
| 2 | PFL-41.30 | Brake Flange | 11 |
| 2 | PFL-41.51 | Brake Flange | 11 |
| 3 | SS-175 | Spring Seat, for 1.75" OD Axle Tube | 24 |
| 4 | UBR-175429-38C | U-Bolt $\frac{3}{8}$ "-16 Thread | 33 |
| 4 | UBR-175429-38F | U-Bolt $\frac{3}{8}$ "-24 Thread | 33 |
| 4 | UBR-175429-50F | U-Bolt $\frac{1}{2}$ "-20 Thread | 33 |
| 5 | TP-175173 | Tie Plate | 22 |
| 5 | TP-175175 | Tie Plate | 22 |
| 6 | FA-FLN375 | Nut, Lock, Zinc | 32 |

• The recommendations above are for reference only.



HUB COMPONENT DIAGRAM

2,500# CAPACITY



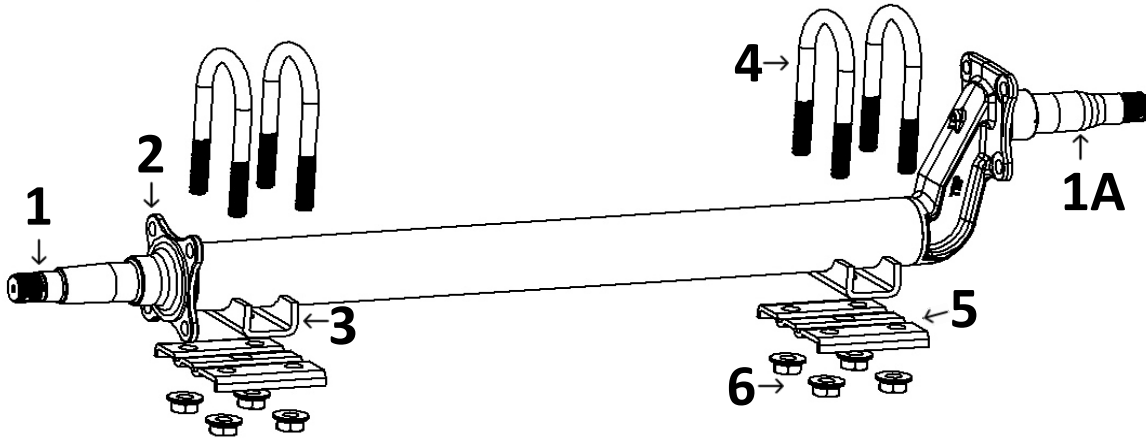
| ITEM | PART NUMBER | DESCRIPTION | CATALOG PAGE # |
|------|--------------------|--|----------------|
| 1 | GS-1500DLR | Grease Seal, Double Lip, Rubber Coated, 1.500" | 15 |
| 1 | GS-1500SL | Grease Seal, Double Lip, 1.500" | 15 |
| 1 | GS-1500DL | Grease Seal, Double Lip, 1.500" | 15 |
| 2 | L-44649 | Inner Bearing, Cone | 14 |
| 3 | L-44610 | Inner Bearing, Cup | 14 |
| 4 | RVI-BT-5450 | Idler Hub, 545 BT | 17 |
| 5 | L-44610 | Outer Bearing, Cup | 14 |
| 6 | L-44649 | Outer Bearing, Cone | 14 |
| 7 | FA-TW100 | Spindle Washer, Tang | 12 |
| 7 | FA-SW100 | Spindle Washer, Flat Round | 12 |
| 7 | FA-DW-100 | Spindle Washer, Flat D-Washer | 12 |
| 8 | FA-SN100 | Spindle Nut, 6 Slot | 12 |
| 9 | FA-CP175 | Cotter Pin | 12 |
| 10 | DC-200 | Dust Cap | 13 |
| 11 | DC-200L | Dust Cap, Lubed | 13 |
| 11A | DC-RP | Rubber Plug For Lubed Dust Cap Hole | 13 |
| 12 | FA-6-080 | Wheel Nut, Cone | 32 |

• The recommendations above are for reference only.



AXLE COMPONENT DIAGRAM

3,500# CAPACITY



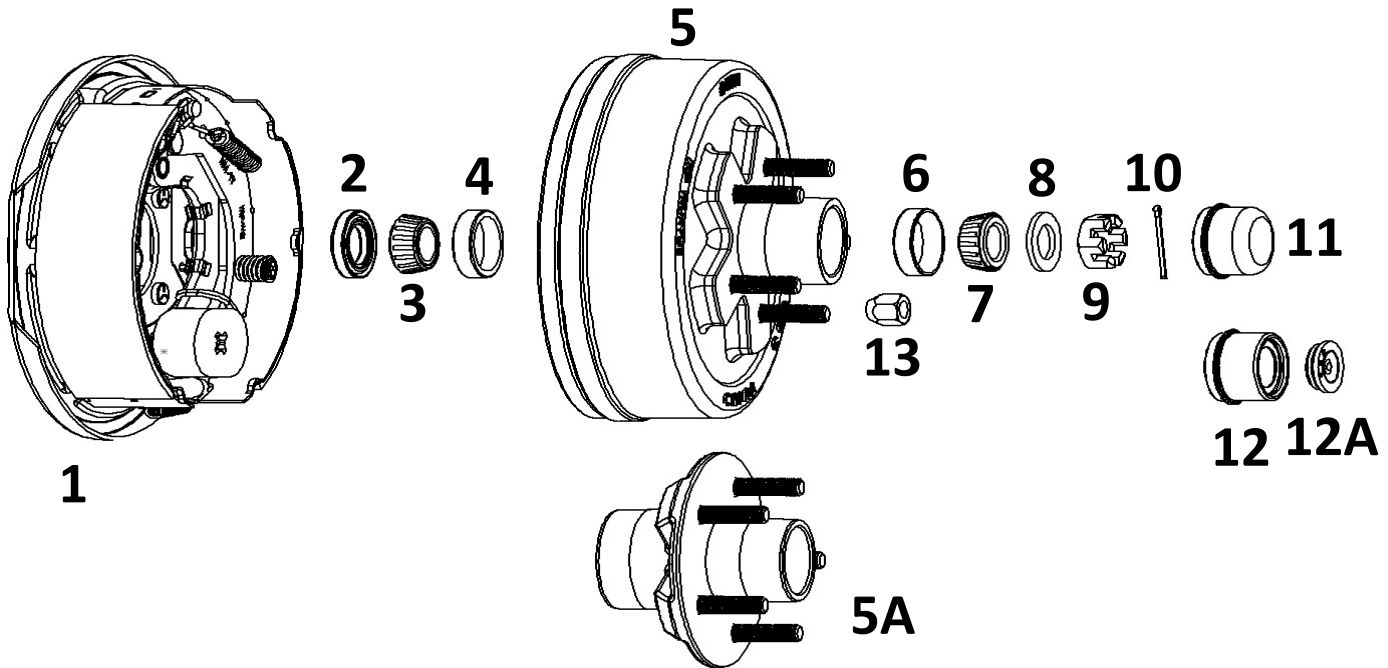
| ITEM | PART NUMBER | DESCRIPTION | CATALOG PAGE # |
|------|-----------------------|--|----------------|
| 1 | <i>SP-HF-IF-84L</i> | Butt Weld Style, Integrated Flange Spindle | 6 |
| 1 | <i>SP-HF-IF-8455</i> | Butt Weld Style, Integrated Flange Spindle | 6 |
| 1 | <i>SP-HF-84L</i> | Butt Weld Style, Hot Forged Spindle | 6 |
| 1 | <i>SP-HF-84S</i> | Butt Weld Style, Hot Forged Spindle | 6 |
| 1 | <i>SP-HF-8455</i> | Butt Weld Style, Hot Forged Spindle | 6 |
| 1 | <i>SP-17584</i> | Round Bar Stock Spindle | 8 |
| 1 | <i>SP-20084</i> | Round Bar Stock Spindle | 8 |
| 1 | <i>SP-20484-SQ</i> | Square Bar Stock Spindle | 9 |
| 1 | <i>SP-35684-SQ</i> | Square Bar Stock Spindle | 9 |
| 1A | <i>SP-TT-175F</i> | Hot Forged 4" Drop, Flanged Spindle | 7 |
| 1A | <i>SP-TT-175AF</i> | Hot Forged 4" Drop, Flanged Spindle | 7 |
| 2 | <i>PFL-41.75</i> | Brake Flange | 11 |
| 2 | <i>PFL-42.27</i> | Brake Flange | 11 |
| 3 | <i>SS-238</i> | Spring Seat, for 2.38" OD Axle Tube | 24 |
| 3 | <i>SS-300</i> | Spring Seat, for 3.00" OD Axle Tube | 24 |
| 4 | <i>UBR-238513-44F</i> | U-Bolt, $\frac{7}{16}$ "-20 Thread | 33 |
| 4 | <i>UBR-238550-50F</i> | U-Bolt, $\frac{1}{2}$ "-20 Thread | 33 |
| 4 | <i>UBR-238625-50F</i> | U-Bolt, $\frac{1}{2}$ "-20 Thread | 33 |
| 4 | <i>UBR-300650-50F</i> | U-Bolt, $\frac{1}{2}$ "-20 Thread | 33 |
| 5 | <i>TP-238175</i> | Tie Plate | 22 |
| 5 | <i>TP-238200</i> | Tie Plate | 22 |
| 5 | <i>TP-300175</i> | Tie Plate | 22 |
| 5 | <i>TP-300200</i> | Tie Plate | 22 |
| 5 | <i>TP-238175-50R</i> | Tie Plate | 23 |
| 5 | <i>TP-238175-R</i> | Tie Plate | 23 |
| 5 | <i>TP-238200R</i> | Tie Plate | 23 |
| 5 | <i>TP-300175R</i> | Tie Plate | 23 |
| 6 | <i>FA-FLN375</i> | Nut, Lock, Zinc | 32 |
| 6 | <i>FA-6-92Z</i> | Nut, Flange, Zinc | 32 |

• The recommendations above are for reference only.



HUB COMPONENT DIAGRAM

3,500# CAPACITY



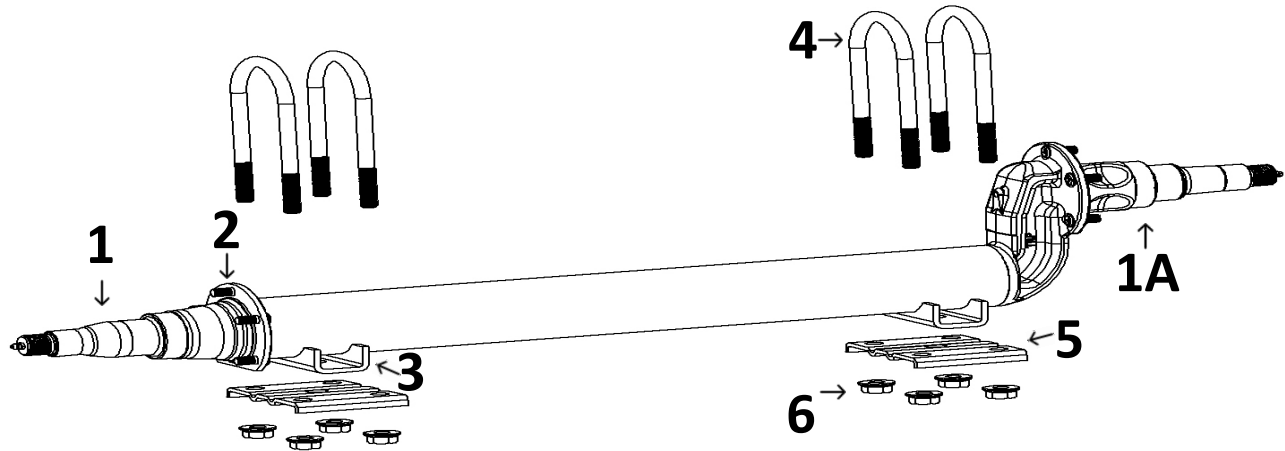
| ITEM | PART NUMBER | DESCRIPTION | CATALOG PAGE # |
|------|--------------------------------|--|----------------|
| 1 | BK-10E-01/ BK-10E-02 | 10"x 2.25" LH/RH Brake Assembly | 19 |
| 1 | BK-10E-01SA/BK-10E-02SA | 10"x 2.25" LH/RH Self-Adjusting Brake Assembly | 19 |
| 2 | GS-1719DL | Grease Seal, Double Lip, 1.720" | 15 |
| 2 | GS-1719SL | Grease Seal, Single Lip, 1.720" | 15 |
| 2 | GS-1719DLR | Grease Seal, Double Lip Rubber Coated, 1.720" | 15 |
| 3 | L-68149 | Inner Bearing, Cone | 14 |
| 4 | L-68111 | Inner Bearing, Cup | 14 |
| 5 | RVD-U-5450 | Brake Drum, 5 Bolt on 4.50" BC | 16 |
| 5 | RVD-U-5475 | Brake Drum, 5 Bolt on 4.75" BC | 16 |
| 5 | RVD-U-5500 | Brake Drum, 5 Bolt on 5.00" BC | 16 |
| 5 | RVD-U-5550 | Brake Drum, 5 Bolt on 5.50" BC | 16 |
| 5 | RVD-U-6550 | Brake Drum, 6 Bolt on 5.50" BC | 16 |
| 5A | RVI-U-5450 | Idler Hub, 5 Bolt on 4.50" BC | 17 |
| 5A | RVI-U-5475 | Idler Hub, 5 Bolt on 4.75" BC | 17 |
| 5A | RVI-U-5500 | Idler Hub, 5 Bolt on 5.00" BC | 17 |
| 5A | RVI-U-5550 | Idler Hub, 5 Bolt on 5.50" BC | 17 |
| 5A | RVI-U-6550 | Idler Hub, 6 Bolt on 5.50" BC | 17 |
| 6 | L-44610 | Outer Bearing, Cup | 14 |
| 7 | L-44649 | Outer Bearing, Cone | 14 |
| 8 | FA-SW100 | Spindle Washer, Flat Round | 12 |
| 8 | FA-DW100 | Spindle Washer, Flat D-Washer | 12 |
| 8 | FA-TW100 | Spindle Washer, Tang | 12 |
| 9 | FA-SN100 | Spindle Nut, 6 Slot | 12 |
| 10 | FA-CP175 | Cotter Pin | 12 |
| 11 | DC-200 | Dust Cap | 13 |
| 12 | DC-200L | Dust Cap, Lubed | 13 |
| 12A | DC-RP | Rubber Plug For Lubed Dust Cap Hole | 13 |
| 13 | FA-6-080 | Wheel Nut, Cone | 32 |

• The recommendations above are for reference only.



AXLE COMPONENT DIAGRAM

5,200/6,000# CAPACITY



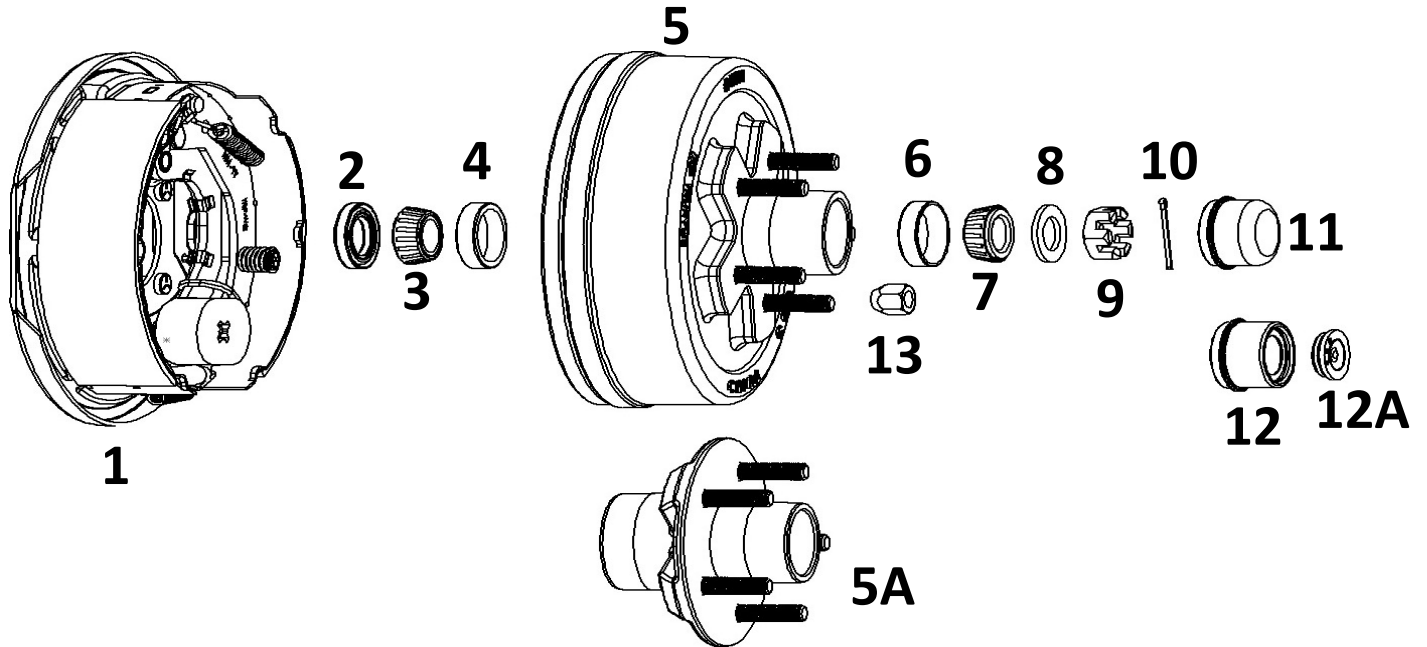
| ITEM | PART NUMBER | DESCRIPTION | CATALOG PAGE # |
|------|-----------------------|---|----------------|
| 1 | SP-HF-IFB-42L | Butt Weld Style, Integrated Flange Spindle | 6 |
| 1 | SP-HF-42L | Butt Weld Style, No Flange Spindle | 6 |
| 1 | SP-22542 | Round Bar Stock Spindle | 8 |
| 1 | SP-50642-SQ | Square Bar Stock Spindle | 9 |
| 1A | SP-UT-IFB-300 | Hot Forged 4" Drop, Integrated Flange Spindle | 7 |
| 2 | PFL-52.31 | Brake Flange | 11 |
| 2 | PFL-52.75 | Brake Flange | 11 |
| 2 | PFL-53.12 | Brake Flange | 11 |
| 2 | PFL-52.31-31 | Brake Flange | 11 |
| 2 | PFL-52.53 | Brake Flange | 11 |
| 2 | PFL-52.53-31 | Brake Flange | 11 |
| 3 | SS-300 | Spring Seat, for 3.00" OD Axle Tube | 24 |
| 4 | UBR-300650-50F | U-Bolt, 1/2"- 20 Thread | 33 |
| 4 | UBR-300700-50F | U-Bolt, 1/2"- 20 Thread | 33 |
| 4 | UBR-300700-56F | U-Bolt, 9/16"-18 Thread | 33 |
| 5 | TP-300175 | Tie Plate | 22 |
| 5 | TP-300200 | Tie Plate | 22 |
| 5 | TP-300209 | Tie Plate | 22 |
| 5 | TP-350200 | Tie Plate | 22 |
| 5 | TP-300175R | Tie Plate | 23 |
| 5 | TP-300200-56R | Tie Plate | 23 |
| 6 | FA-FLN375 | Nut, Lock, Zinc | 32 |
| 6 | FA-6-92Z | Nut, Flange, Zinc | 32 |

• The recommendations above are for reference only.



HUB COMPONENT DIAGRAM

5,200/6,000# CAPACITY



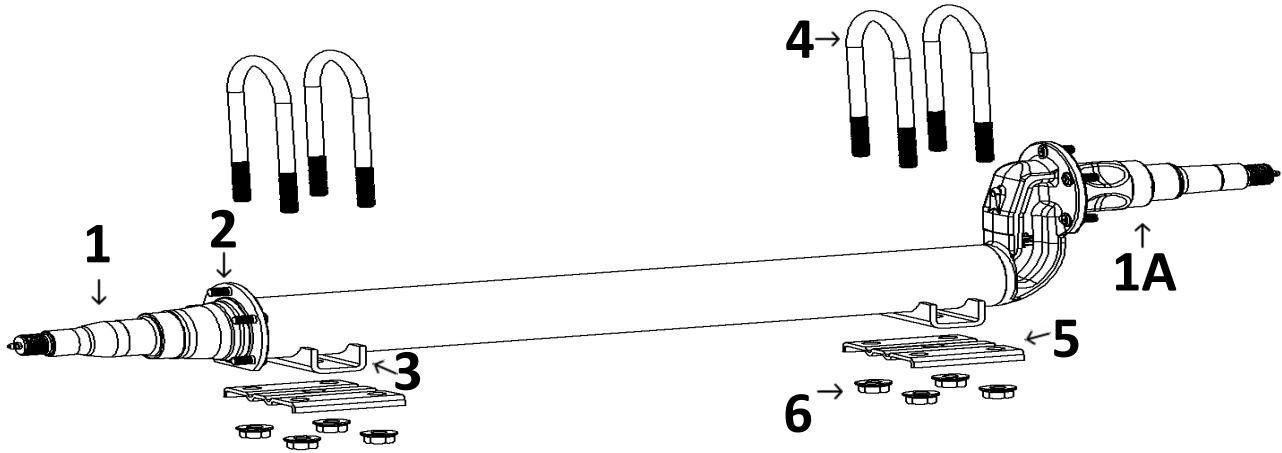
| ITEM | PART NUMBER | DESCRIPTION | CATALOG PAGE # |
|------|--------------------------------|--|----------------|
| 1 | BK-12E-01/BK-12E-02 | 12" x 2" LH/RH Brake Assembly | 19 |
| 1 | BK-12E-01SA/BK-12E-02SA | 12" x 2" LH/RH Self-Adjusting Brake Assembly | 19 |
| 2 | GS-2125DL | Grease Seal, Double Lip, 2.125" | 15 |
| 2 | GS-2250DL | Grease Seal, Double Lip, 2.250" | 15 |
| 3 | 25580 | Inner Bearing, Cone | 14 |
| 4 | 25520 | Inner Bearing, Cup | 14 |
| 5 | RVD-H-655 | Brake Drum, 6 Bolt on 5.50" BC | 16 |
| 5A | RVI-H-655 | Idler Hub, 6 Bolt on 6.50" BC | 17 |
| 6 | 15245 | Outer Bearing, Cup | 14 |
| 7 | 15123 | Outer Bearing, Cone | 14 |
| 8 | FA-SW100 | Spindle Washer, Flat Round | 12 |
| 8 | FA-DW100 | Spindle Washer, Flat D-Washer | 12 |
| 8 | FA-TW100 | Spindle Washer, Tang | 12 |
| 9 | FA-SN100 | Spindle Nut, 6 Slot | 12 |
| 10 | FA-CP175 | Cotter Pin | 12 |
| 11 | DC-250 | Dust Cap | 13 |
| 12 | DC-250L | Dust Cap, Lubed | 13 |
| 12A | DC-RP | Rubber Plug For Lubed Dust Cap Hole | 13 |
| 13 | FA-6-080 | Wheel Nut, Cone | 32 |

• The recommendations above are for reference only.



AXLE COMPONENT DIAGRAM

7,000# CAPACITY



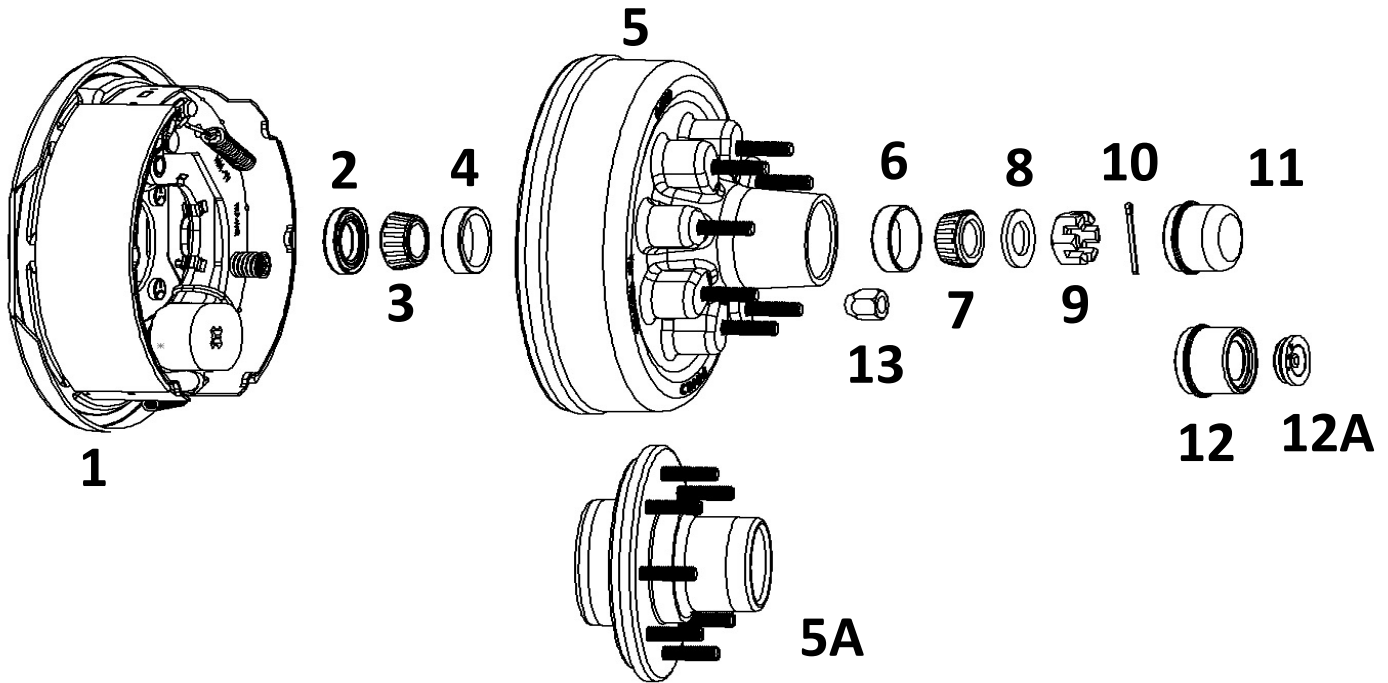
| ITEM | PART NUMBER | DESCRIPTION | CATALOG PAGE # |
|------|-----------------------|---|----------------|
| 1 | SP-HF-IFB-42L | Butt Weld Style, Integrated Flange Spindle | 6 |
| 1 | SP-HF-42L | Butt Weld Style, No Flange Spindle | 6 |
| 1 | SP-22542 | Round Bar Stock Spindle | 8 |
| 1 | SP-50642-SQ | Square Bar Stock Spindle | 9 |
| 1A | SP-UT-IFB-300 | Hot Forged 4" Drop, Integrated Flange Spindle | 7 |
| 2 | PFL-52.31 | Brake Flange, Welded | 11 |
| 2 | PFL-52.75 | Brake Flange, Welded | 11 |
| 2 | PFL-53.12 | Brake Flange, Welded | 11 |
| 2 | PFL-52.31-31 | Brake Flange, Welded | 11 |
| 2 | PFL-52.53 | Brake Flange, Welded | 11 |
| 2 | PFL-52.53-31 | Brake Flange, Welded | 11 |
| 3 | SS-300 | Spring Seat, for 3.00" OD Axle Tube | 24 |
| 4 | UBR-300650-50F | U-Bolt, 1/2"- 20 Thread | 33 |
| 4 | UBR-300700-50F | U-Bolt, 1/2"- 20 Thread | 33 |
| 4 | UBR-300700-56F | U-Bolt, 9/16"-18 Thread | 33 |
| 5 | TP-300175 | Tie Plate | 22 |
| 5 | TP-300200 | Tie Plate | 22 |
| 5 | TP-300209 | Tie Plate | 22 |
| 5 | TP-350200 | Tie Plate | 22 |
| 5 | TP-300175R | Tie Plate | 23 |
| 5 | TP-300200-56R | Tie Plate | 23 |
| 6 | FA-FLN375 | Nut, Lock, Zinc | 32 |
| 6 | FA-6-92Z | Nut, Flange, Zinc | 32 |

• The recommendations above are for reference only.



HUB COMPONENT DIAGRAM

7,000# CAPACITY



| ITEM | PART NUMBER | DESCRIPTION | CATALOG PAGE # |
|------|--------------------------------|--|----------------|
| 1 | BK-12E-01/BK-12E-02 | 12" x 2" LH/RH Brake Assembly | 19 |
| 1 | BK-12E-01SA/BK-12E-02SA | 12" x 2" LH/RH Self-Adjusting Brake Assembly | 19 |
| 2 | GS-2125DL | Grease Seal, Double Lip, 2.125" | 15 |
| 2 | GS-2250DL | Grease Seal, Double Lip, 2.250" | 15 |
| 3 | 25580 | Inner Bearing, Cone | 14 |
| 4 | 25520 | Inner Bearing, Cup | 14 |
| 5 | RVD-H-865 | Brake Drum, 8 Bolt on 6.50" BC | 16 |
| 5 | RVD-H-865-916 | Brake Drum, 8 Bolt on 6.50" BC, ⁹ / ₁₆ " Studs | 16 |
| 5A | RVI-H-865 | Idler Hub, 8 Bolt on 6.50" BC | 17 |
| 5A | RVI-H-865-916 | Idler Hub, 8 Bolt on 6.50" BC, ⁹ / ₁₆ " Studs | 17 |
| 6 | 14276 | Outer Bearing, Cup | 14 |
| 7 | 14125A | Outer Bearing, Cone | 14 |
| 8 | FA-SW100 | Spindle Washer, Flat Round | 12 |
| 8 | FA-DW100 | Spindle Washer, Flat D-Washer | 12 |
| 8 | FA-TW100 | Spindle Washer, Tang | 12 |
| 9 | FA-SN100 | Spindle Nut, 6 Slot | 12 |
| 10 | FA-CP175 | Cotter Pin | 12 |
| 11 | DC-275 | Dust Cap | 13 |
| 12 | DC-275L | Dust Cap, Lubed | 13 |
| 12A | DC-RP | Rubber Plug For Lubed Dust Cap Hole | 13 |
| 13 | FA-6-080 | Wheel Nut, Cone | 32 |
| 13 | FA-6-053 | Wheel Nut, Cone | 32 |

• The recommendations above are for reference only.



TRUWELD-6 WELD WIRE

TruWeld-6 weld wire is an exciting new offering from TRP International. In keeping with all TRP products, **TruWeld-6** delivers a high value proposition by offering very good quality at competitive pricing. We have tested it extensively and are extremely pleased with the performance. In fact, we are currently using it in our spindle manufacturing. **TruWeld-6** weld wire is in stock and available for immediate shipment.

TruWeld-6 Weld Wire

Features:

- Low welding cost and high productivity.
- Low electricity consumption.
- Little Deformation after welding.
- Easy to operate with all position welding
- Low hydrogen and nitrogen content yielding excellent crack resistance.
- Spools are individually boxed.



Manufacturing

The quality system of the manufacturer has been certified by the international quality system according to ISO9001. The Company has joint approval by the following classification societies: China (CCS) Britian (LR) America (AWS) Japan (NK) Poland and Spain.

| PART NUMBER | DESCRIPTION | WIRE DIMENSIONS | | PACKAGING | | | |
|-------------------|---------------|-----------------|-------------|-----------|-------------|-------------|-----------------|
| | | Inches | Millimeters | Type | Unit Weight | Pallet Qty. | Shipping Weight |
| WW-035-044 | Mig Weld Wire | 0.035" | 0.90 mm | Spool | 44 lb. | 60 pc. | 2,820 lb. |
| WW-045-044 | Mig Weld Wire | 0.045" | 1.20 mm | Spool | 44 | 60 | 2,820 |
| WW-035-550 | Mig Weld Wire | 0.035" | 0.90 mm | Barrel | 550 | 4 | 2,304 |
| WW-045-550 | Mig Weld Wire | 0.045" | 1.20 mm | Barrel | 550 | 4 | 2,304 |

Please direct your inquiries to your TRP International Sales Executive

• AWS 5.18 ER70S-6 is GMAW (Gas Metal Arc Welding) often referred to by its subtype MIG (Metal Inert Gas), a solid carbon steel, copper coated, gas shielded welding wire.

TRP International offers numerous secondary custom operations as well as custom manufactured components through our subsidiary company and global supplier partners.



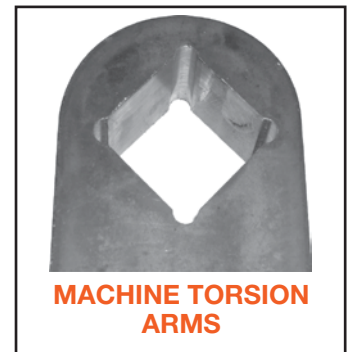
STUDED BRAKE FLANGE



WELDED BRAKE FLANGE



SHACKLE LINK WITH BOLTS PRESSED IN



MACHINE TORSION ARMS

CUSTOM MANUFACTURED COMPONENTS



GENERATOR SHAFTS



KINGPINS



PLANTER CLEVIS



BENT SPINDLES



FORGED TORSION ARMS



FORGED BRAKE SPIDERS



TORSION SPINDLES



SUSPENSION BLOCKS



SLIDE-OUT CLEVIS



DAMPENING FLANGE



STAINLESS STEEL VALVE



PULLEY SHAFT

Please contact your TRP Sales Executive for availability and pricing information.



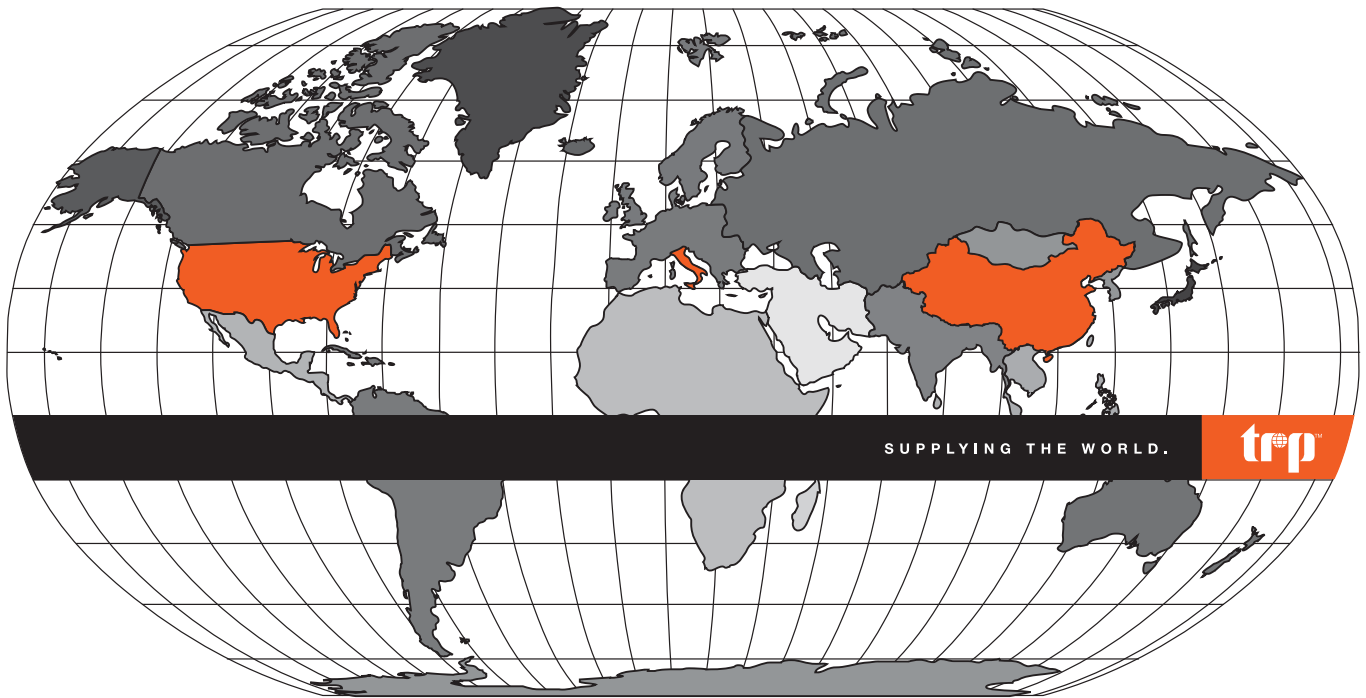
International Supplier Partners

With over 22 years of international trade experience and qualified TRP personnel working through liaison offices in Italy and China we have the expertise necessary to communicate, consult, coordinate and execute the many facets of importing products to North America from abroad. TRP develops long term partnerships with our global supplier partners. These strong and loyal relationships are the cornerstone of our success.

TRP/GVS USA

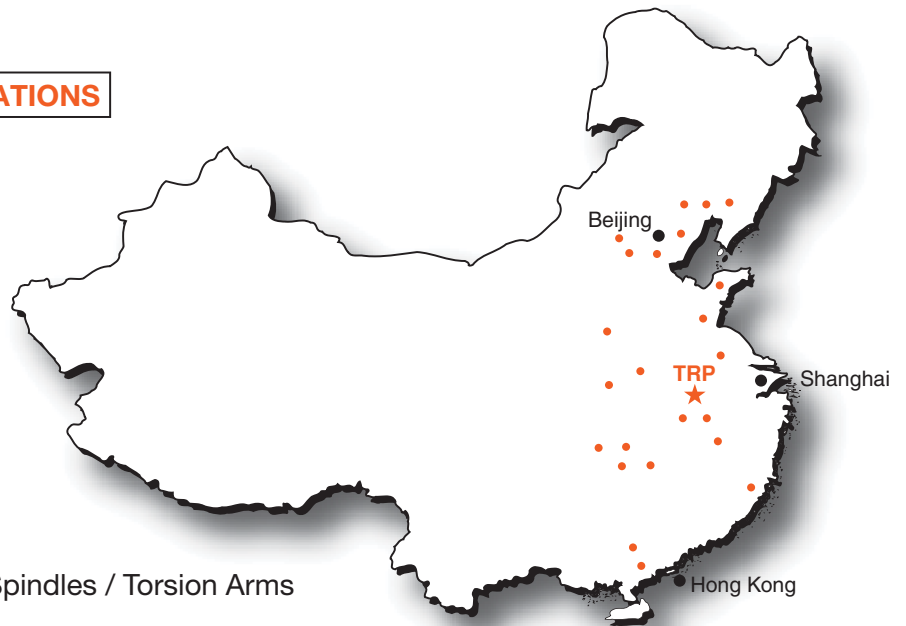
TRP Italy

TRP China



PRODUCTS / MANUFACTURING LOCATIONS

- Electric Brakes
- Hydraulic Brakes
- Mobile Home Brakes
- Brake Drums / Idler Hubs
- Tapered Roller Bearings
- Mobile Home Rim Clamp
- Grease Seals
- Leaf Springs
- Cast Equalizers
- Fabricated Equalizers / Spring Hangers
- Dust Caps - Rubber Plug
- Butt Weld Spindles / Hot Forged Drop Spindles / Torsion Arms





TERMS:

All orders are subject to credit approval by our credit department. Net 30 days from date of shipment, unless specified otherwise in writing by TRP International. All past due accounts shall accrue interest at a rate of 1.5% per month based upon the outstanding balance at the end of the month plus any additional fees incurred in the collection process, including attorney fees.

PRICES:

All shipments will be at the prices in effect at order acceptance, including any possible raw material surcharges that may be implemented. Prices and specifications are subject to change without notice. Minimum order of \$100.00 is required. Any order less than \$100.00 will be subject to a \$25.00 handling charge.

ORDERS:

TRP International's acceptance of customer orders, whether verbal or written does not include an acknowledgment or acceptance on behalf of TRP of any terms or conditions of customers purchase order, whether stated expressly or implied.

CANCELLATION AND CHANGES:

Due to immediate production of manufactured products, orders containing these items are considered firm and are not subject to cancellation or change without approval. Any approved cancellations or changes are subject to additional charges at TRP International's discretion.

FREIGHT:

All shipments are F.O.B. TRP International and are shipped "Freight Collect" unless specified otherwise in writing by TRP. Products are carefully inspected and packed to assure that they will arrive in good condition. In case of shortage or damage, purchaser should promptly file a claim with the delivering carrier. TRP is not liable for damage or loss of merchandise after it has left our facilities, we will however assist you in filing a claim.

RETURNS:

Return requests must be made within 30 days of shipment. Return authorization is required before the items are returned for any reason. We will consider issuing a return authorization for the following reasons; manufacturing defect, order processing error, shipping error, mismarked cartons, or duplicated shipments. Returns for any other reason, and no fault of TRP, are subject to a 20% restocking charge and when authorized, must be returned freight prepaid. Return merchandise will be subject to inspection. Any discrepancies, additional damage, signs of use, or missing parts will result in an adjustment to the amount of credit issued.

LIMITED WARRANTY:

The products listed in this catalog are warranted by the manufacturers to be free from defects in materials and workmanship for a period of one year from the date of original purchase. This warranty is in lieu of all other warranties expressed or implied. This warranty covers normal use and application and does not cover damage or defect which results from alteration, accident, neglect, improper installation, operation or maintenance.

TRP International's obligation under this warranty is limited to the repair or replacement of the defective part, and in no event shall TRP be liable for reimbursement of consequential, indirect or incidental damages of any kind.

BACK COVER