



Bits..... 3  
Tool Holders ..... 4-5

**AMMCO PARTS**

1" Arbors & Adapters ..... 6-7  
1-7/8" Arbors & Adapters ..... 8  
11/16" Arbors & Adapters ..... 9  
2-1/2" Arbor Set ..... 9  
Boring Bars ..... 9  
Friction Style Rotor Silencers..... 9  
Safety Shields ..... 9  
Wrenches ..... 10  
Silencer Bands ..... 10  
Boots..... 10  
Miscellaneous Parts ..... 10  
Accu-Turn ..... 11  
All Tool ..... 12  
FMC / John Bean..... 13  
Hunter ..... 14  
Kwikway ..... 15  
Perfect Hofmann/RJ West..... 16  
Performance..... 17  
Rels..... 18  
Van Norman ..... 19

**AMMCO BREAKDOWNS**

**Model #'s 3000, 4000, 4100, 7500, 7700**

Electrical Panel Assembly..... 20  
Main Frame Spindle..... 21  
Drum Feed Gearbox ..... 22  
Motor Mount & Drive Shaft..... 23  
Disc Brake Feed Mechanism..... 24  
6950 Twin Cutter ..... 25  
7900 Twin Cutter ..... 25  
Cross Feed Assy. .... 26  
7500 Spindle ..... 27

**Model # 7000**

Spindle ..... 27  
Cross Feed Control ..... 28  
Cross Feed Drive..... 29

**Model #3850/3860**

Drum & Disc Mainframe Assembly ..... 30  
Lathe Assembly ..... 31  
Drum Boring Bar Assembly ..... 31  
Twin Cutter & Safety Shield ..... 32  
Cross Feed Assembly ..... 32-33

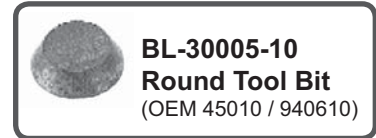
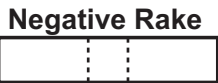
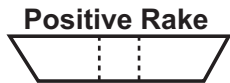
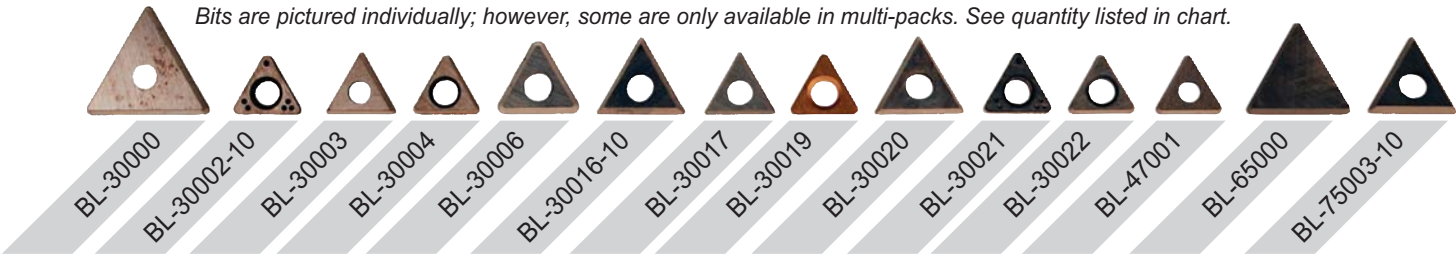
**Model # 6000/6002**

Drive Motor Bracket Assembly ..... 34  
Spindle Housing Assembly ..... 34  
Base & Bead Assembly..... 35  
Saddle Assembly ..... 36  
Control Box Assembly..... 37  
Gear Box Assembly ..... 38  
Limit Switch Assembly ..... 39  
Dovetail Wipers & Covers ..... 39

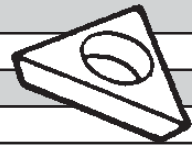


## Brake Lathe Bits *Don't see what you need? Give us a call.*

Bits are pictured individually; however, some are only available in multi-packs. See quantity listed in chart.

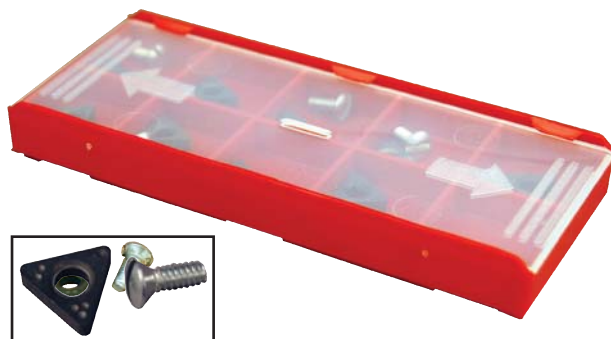


Lathe / Model	OEM #	Rake	Order SVI Part #	Quantity	Description
Accu-Turn 7700, 8910, 8911, 8920, 8922, 8944, 8989 All Disc / Drum Lathes	433796 / 433795	Positive	BL-30020	10	
Accu-Turn 8750 & 8800 On Car Lathe	878051 / 878052	Negative	BL-30021	10	
All Tool 747	3331	Negative	Call	10	
Ammco 1000, 2002, 3000, 4000, 4100, 7500, 7700	6914	Negative	BL-30002-10	10	
Ammco	40410	Positive	BL-30016-10	10	1/8" Thick
Ammco	40610	Round	BL-30005-10	10	
Ammco 3850	6918	Positive	BL-30003	1	
Ammco 3850	6918	Positive	BL-30003-10	10	
Ammco 4000, 7000	7681	Positive	BL-30004	1	
Ammco 4000, 7000	7681	Positive	BL-30004-02	2	
Ammco 4000, 7000	7681	Positive	BL-30004-06	6	
Ammco 4000, 7000	7681	Positive	BL-30004-10	10	
Ammco 4000, 7000	n/a	Positive	BL-30006	1	
Ammco 4000, 7000	n/a	Positive	BL-30006-10	10	
Ammco (Use with BL-30028 / OE 9695 Tool Holder)	5677 / 905677	Positive	BL-30000	1	Heavy Duty
FMC/John Bean/Snap-On 505 Car Lathe	90817	Negative	BL-30002-10	10	
FMC/John Bean/Snap-On 505 Car Lathe	91212	Positive	BL-30022	10	Carbide
FMC/John Bean/Snap-On 600 & 700 Series	90487, 90488	Positive	BL-30016-10	10	1/8" Thick
FMC/John Bean/Snap-On 600 & 700 Series	90327	Positive	BL-30006	1	
FMC/John Bean/Snap-On 600 & 700 Series	90327	Positive	BL-30006-10	10	
FMC/John Bean/Snap-On 800 Series Rotors	92090	Positive	BL-65000	1	
FMC/John Bean/Snap-On 800 Series Drums	92091	Positive	BL-65001	1	
Hunter	45001	Negative	BL-30002-10	10	
Hunter	302-07-167	Positive	BL-65000	1	
Kwik-Way BDL, CDL, NDL	109-1092-23	Positive	BL-30017	1	(Alt. OEM 109109223)
Kwik-Way	109-6900-20	Round	BL-30005-10	10	
Kwik-Way	109-1092-32	Positive	Call	10	32° Radius
Hofmann / RJ West 401	722834	Positive	Call	10	
Hofmann / RJ West 660	3331	Negative	Call	10	
Hofmann / RJ West	W139	Positive	BL-30016-10	10	1/8" Thick
Hofmann / RJ West	W139	Positive	BL-75003-10	10	



**Brake Lathe Bits** *Don't see what you need? Give us a call.*

Lathe / Model	OEM #	Rake	Order SVI Part #	Quantity	Description
Performance	3340 / 3354	Negative	BL-30002-10	10	
Performance	8712	Positive	BL-30016-10	10	1/8" Thick
Performance 66, 6600, 7100, 7200, 7600	3331	Negative	Call	10	
Performance 66, 6600, 7100, 7200, 7600	8711	Positive	BL-30004-10	10	For models with Positive Rake Holder, Drum Tip
Procut	50-742		BL-47001	10	
RELS 2000	45001	Negative	BL-30002-10	10	
RELS	45020	Positive	BL-30016-10	10	1/8" Thick
RELS 204 Series	24176	Positive	BL-65001	1	
RELS 204 Series	29687	Positive	BL-65000	1	
RELS 504 Series	42365 (5 pk. #)	Positive	BL-30017	1	(sold individually)
RELS	45010 / 940610	Round	BL-30005-10	10	
RELS 2000 Rotor & Drum Insert	45016	Positive	BL-30006	1	
RELS 2000 Rotor & Drum Insert	45016	Positive	BL-30006-10	10	
RELS 2000 Rotor	45021	Positive	BL-30018	1	Coated
RELS 2000 Rotor	45022	Negative	BL-30019	1	Coated
RELS (Use with BL-30028 / OE 9695 Tool Holder)	45018	Positive	BL-30000	1	Heavy Duty
Snap-On YA180, YA281	BTK10A	Positive	BL-30017	1	
Star 1776	CB60	Negative	Call	10	
Van Norman	866564	Positive	BL-65000	1	
EXTRA SCREWS 10-Pack (for 6914, 6918, 7681)	6499 / 45019		BL-30001	1	For BL-30002, 30003, 30004



**BL-30002-10 (10-Pack)**

**NEGATIVE RAKE**

**Ammco** (OEM 6914 / 906914)  
**Accu-Turn** (OEM 878051)  
**FMC/John Bean/Snap On** (OEM 90817)  
**Hunter** (OEM 45001)  
**Performance** (OEM 3340 / 3354)  
**RELS** (OEM 45001)



**BL-30020**

**Bit Set for Accu-Turn (10-Pack)**

**POSITIVE RAKE**

**Accu-Turn** (OEM 433796 / 433795)

*For **Ammco**  
and more*



### Tip / Tool Holders *Don't see what you need? Give us a call.*

Lathe	Model	OEM #	Description	Order SVI Part #
Accu-Turn RELS		433779 / 43379	Short Pos. Rake RH Tool Holder For Pass. Car Drums or Flywheels Use: BL-30020	<b>BL-30047</b>
Accu-Turn RELS		434286	Zero Angle Pos. Rake Tool Holder For Rotors or Flywheels Use: BL-30020	<b>BL-30048</b>
Accu-Turn FMC Hofmann	Fits all combination lathes 600, 601, 700, 701, RotoTruer Perfect 400	433764 (43374) 433763 (43373)	For Drums / Rotors / Flywheels 3/8" x 3/8" x 2-3/4" Use: BL-30020 and Positive Rake Tips	<b>BL-30046 (LH)</b> <b>BL-30045 (RH)</b>
Accu-Turn Ammco John Bean RELS	For Curved Rotors with a flange	434057 / 434056 90489L / 90489R 8027164 45031 / 45030	Curved Tool Holder For Rotors 3/8" x 3/8" x 3" Use: BL-30016-10 Positive Rake Tips <i>(Ideal for Foreign Car Hubs)</i>	<b>BL-30054 (LH)</b> <b>BL-30053 (RH)</b>
Ammco All-Tool Hofmann Performance	1000, 2002, 3000, 4000, 41000, 7700 747 660 6600, 7200, 7100, 7600	9872 / 909872	 Bits are replaceable For Drums 1/2" x 3/8" x 2-1/4" Use: BL-30002-10 Negative Rake Tips	<b>BL-30009</b>
Ammco All-Tool Hunter Performance RELS	3000, 3850, 4000, 4100, 7000 & 6900, 6950 Twin Cutters 747 6600, 7200, 7100, 7600	10701 / 10702 91701 / 910702 5588 / 5586 221-582-2 / 221-581-2 8588 / 8586 45005 / 45006	Bits are replaceable For Rotors 3/8" x 3/8" x 1-7/8" Use: BL-30002-10 Negative Rake Tips	<b>BL-30010 (RH)</b> <b>BL-30011 (LH)</b>
Ammco RELS	3000, 3850, 4000, 4100, 7000 & 6900, 6950 Twin Cutters	25969 / 925969 25968 / 925968 45013 / 45012	Bits are replaceable For Rotors 3/8" x 3/8" x 1-7/8" Use BL-30004 & BL-30003 Positive Rake Tips	<b>BL-30014 (LH) (pic)</b> <b>BL-30015 (RH)</b>
Ammco RELS	3850	5390 / 905390 45028	Bits are replaceable For Drums 3/8" x 3/8" x 2-3/16" Use: BL-30004 & BL-30003 Positive Rake Tips	<b>BL-30023</b>
Ammco RELS	2002, 3000, 4000, 4100, 7700	5392 / 905392 45029	Bits are replaceable Small Drum Tool 3/4" x 9/16" x 5" Use: BL-30004 Positive Rake Tips	<b>BL-30024</b>
Ammco	7692 Right Angle Holder (Replaces Ammco Duplex Tool Bit) For 9381 Facing & Grinding Tool	7692 / 907692	Bits are replaceable For Flywheels 3/8" x 3/8" x 1-7/8" Use: BL-30002-10 Negative Rake Tips	<b>BL-30026</b>
Ammco	1000, 7900 Twin Cutter	25762 / 925762 25761 / 925761	For Drums / Rotors 1" x 1-5/8" x 2" Use: BL-30002-10 Negative Rake Tips	<b>BL-10336 (LH)</b> <b>BL-10348 (RH)</b>
Ammco HD	5000, 6000, 6002	9695 / 909695	Bits are replaceable For Drums 5/8" x 5/8" x 4" (5/8" shank); Use with BL-30000	<b>BL-30028</b>
Ammco RELS	For 6950 Twin Cutter	 BL-30013 10650 45004	Left Handed Tool Holder Holds BL-30011 (OE 10701)	<b>BL-30013 (LH)</b>
Ammco RELS	For 6950 Twin Cutter	 BL-30012 10651 45003	Right Handed Tool Holder Holds BL-30010 (OE 10701)	<b>BL-30012 (RH)</b>



**Tip / Tool Holders** *Don't see what you need? Give us a call.*

Lathe	Model	OEM #	Description	Order SVI Part #
<b>Ammco</b> <b>RELS</b>	3860, 4000, 7500 & RELS 45701 lathe	6999 / 45701	Bits are replaceable Tool Bit Set (LH and RH) (BL-30010 and BL-30011) Negative Rake	<b>BL-30025</b>
<b>Ammco</b> <b>RELS</b>	Disc cutting Ammco lathe and RELS 45702 lathe	7999 / 45702	Bits are replaceable Tool Bit Set (LH and RH) (BL-30014 and BL-30015) Positive Rake	<b>BL-30027</b>
<b>Ammco</b>		4114 / 904114	Holder with brazed-on bit For Drum Machining	<b>BL-30029</b>
<b>Ammco</b>		4118 / 904118	Holder with brazed-on bit	<b>BL-30030</b>
<b>Ammco</b>		4724	LH Holder with brazed-on bit	<b>BL-30031</b>
<b>Ammco</b> <b>Performance</b>		4725 8585	RH Holder with brazed-on bit	<b>BL-30032</b>
<b>Ammco</b>		4726 / 4728	LH Holder with brazed-on bit	<b>BL-30033</b>
<b>Ammco</b>	5000, 6000	5720 / 905720	Carbide-Tipped Tool Bit RH Holder with brazed-on bit 5/8" shank	<b>BL-30034</b>
<b>Ammco</b>	5000, 6000	5725 / 905725	Carbide-Tipped Tool Bit with brazed-on bit	<b>BL-30035</b>
<b>Ammco</b>	All with 6900 & 6950 Twin Cutter	40609 / 940609 40608 / 940608	Tool Holder Assembly for Round Bit, Positive Rake	<b>BL-30008 (LH)</b> <b>BL-30007 (RH)</b>
<b>All Tool</b> <b>Hofmann</b> <b>Kwik-Way</b> <b>Performance</b> <b>RELS</b>	660	109-6900-30 / 109-6900-25  45008 / 45009		
<b>John Bean</b> <b>RELS</b>		90491 90490	Positive Rake Tool Holder Use: BL-30016-10	<b>BL-30050 (LH)</b> <b>BL-30049 (RH)</b>
<b>John Bean</b> <b>RELS</b>	90644 RotorTruer	90494 90495	Positive Rake Tool Holder Use: BL-30016-10	<b>BL-30051 (LH)</b> <b>BL-30052 (RH)</b>
<b>RELS</b> <b>RELS</b>	204S, 204C 504	20407 3836L 3836R	Positive Rake Drum Tool Holder Positive Rake Tool Holder (Use with BL-30017 bit)	<b>BL-30036</b> <b>BL-30038 (LH)</b> <b>BL-30037 (RH)</b>
<b>RELS</b> <b>RELS</b>	304	30407 45011	304 Tool Holder RH Tool Holder for Round Bit, Positive Rake Use: BL-30005-10	<b>BL-30039</b> <b>BL-30040</b>
<b>RELS</b>		45015 45014	Tool Holder / Use: BL-30006 Positive Rake	<b>BL-30042 (LH)</b> <b>BL-30041 (RH)</b>
<b>RELS</b>		45035	Drum Tool Holder Positive Rake / Use: BL-30006	<b>BL-30043</b>





### For *Ammco* and more



**BL-20149**  
**Rotor Adaptor for Ford F-150 2WDs**  
Machine front rotors with pressed in bearings without having to remove the bearings.

**1"**



### Twin Cutter - Standard Model For Ammco

**Order: BL-10042** (OEM 6950 / 906950)

- Does NOT Include Toolholder Assemblies;
- Order: Negative Rake Set BL-30025 (OEM #906999),  
Positive Rake Set BL-30027 (OEM #907999), or  
Positive Rake **Round** Set

SVI #	OEM #	Description	Fits Model #'s
BL-10357	1101 / 901101	1" Arbor (100 lb. capacity) (Use Nut BL-20109)	1000
BL-20109	25811 / 925811	Arbor Nut; Use with BL-10357 Arbor	1000
BL-20103	2160 / 902160	Ford Probe Adapter; Use with BL-20021 (OE 903904) Cone	
BL-20104	2168 / 902168	Ramcharger Adapter	
BL-20105	2580 / 902580	Mazda Adapter-Mounts Drums w/out Center Hole	2002, 3000, 4000, 4100, 7700
BL-20034	4790 / 904790	Arbor Step Down (set of 3); Use w/ 1-7/8" Adapters on 1" Arbors	
BL-20106	5795 / 905795	1" Splined Hub Adapter Set	
<b>BL-20035</b>	8800 / 908800 / 47300	Hubless Rotor Adapter Set. Use w/ BL-20036 or BL-20037	
<b>BL-20036</b>	8888 / 908888	Composite Rotor Clamping Plate Set for Cars (Used w/ BL-20035)	
<b>BL-20037</b>	8889 / 908889	Composite Rotor Clamping Plate Set for Trucks (Used w/ BL-20035) (Chrysler, Ford, GM)	
BL-20107	9263 / 909263	1" Hubless Adapter (3-pad) 4.5" OD	
BL-20108	9265 / 909265	1" Hubless Adapter (5-pad) 5.625" OD	



## Mobil Mobilith Grease

- Tire Changers • Brake Lathes
- Ideal for use when rebuilding lubrication equipment such as Graco and Lincoln
- Excellent lubricant for automotive lifts, especially cassette-style in-ground lifts
- Awesome for use when lubricating in-ground lift equalizer assemblies and on Weaver and SVI upper bearings
- Use anytime you are rebuilding anything

**Call SVI to  
Stock Up  
Today!**

SVI#	DESCRIPTION
BL-MB-1500	Mobil Mobilith SHC 1500 - red
BL-MB-1500C	Mobil Mobilith SHC 1500 - red (case/10)
BL-MB-0220	Mobil Mobilith SHC 220 - red
BL-MB-0220C	Mobil Mobilith SHC 220 - red (case/10)
BL-MB-0220-PM	Mobil Mobilith SHC 220 PM - white
BL-MB-0220-PMC	Mobil Mobilith SHC 220 PM - white (case/10)

**1"**

Parts available individually and as part of a set.



BL-20022	BL-20111	BL-20112	BL-20113	BL-20114	BL-20115
Model 2002,4000 4100	Model 3000, 7700	Model 7000	Model 6000 6002	Model 1000	Model 3850
#4347 / 904347	#4362 / 904362	#4368 / 904368	#5750 / 95750	#25841 9025842	#29753 / 929753

**1" Adapter Sets**

SVI #	OEM #	Description	BL-20022	BL-20111	BL-20112	BL-20113	BL-20114	BL-20115
BL-10020	3101 / 903101 / 42021	Arbor (100 lb capacity); Use BL-10021 Nut For 2002 , 3000, 4000, 4100, 7000, 7500, 7700	1	1	1			
BL-10021	3102 / 903102 / 40081	Arbor Nut; Use w/ BL-10020 or BL-10358;	1	1	1	1		1
BL-20000	3106 / 903106 / 44010	Centering Cone 3.421" x 4.031"	1	1	1	1	1	
BL-20001	3107 / 903107 / 44008	Centering Cone 2.89" x 3.5"	1	1	1	1	1	1
BL-20002	3108 / 903108 / 44006	Centering Cone 2.328" x 2.968"	1	1	1	1	1	1
BL-20003	3109 / 903109 / 44142	Hubless Adapter (Bell/Cup) 5.65" OD	1	1		1	1	
BL-20004	3110 / 903110 / 44500	Centering Cone Spring	1	1	1	1	1	1
BL-20008	3123 / 903123 / 44142	Hubless Adapter (Bell/Cup) 5.75" OD	1	1		1	1	
BL-20009	3125 / 903125 / 40161	1/2" Spacer (1" Hole)	1	1	1		1	
BL-20010	3178 / 903178 / 44007	Centering Cone 2.65" x 3.224"	1	1	1		1	
BL-20019	3902 / 903902 / 44000	Centering Cone 1.25" x 1.75"	1	1	1			
BL-20020	3903 / 903903 / 44001	Centering Cone 1.187" x 2.25"	1	1	1			
BL-20021	3904 / 903904 / 44004	Centering Cone 1.703" x 2.75"	1	1	1	1	1	
BL-10358	4101 / 904101	Arbor (100 lb capacity) for 3850-3860 Use w/ BL-10021 (Arbor Nut)						1
BL-20106	5795 / 905795	Adapter Set - Splined Hub (pkg of 2)				1		
BL-20038	9192 / 909192 / 44044	Double Taper Adapter 1.711" x 2.073"	1	1	1	1	1	1
BL-20039	9193 / 909193 / 44046	Double Taper Adapter 2.074" x 2.44"	1	1	1	1	1	1
BL-20040	9194 / 909194 / 44048	Double Taper Adapter 2.441" x 2.897"	1	1	1	1	1	1
BL-20110	9437 / 909437	Arbor (100 lb. capacity)				1		
BL-20052	9489 / 909489 / 44138	Adapter - Hubless 3.625" OD for Models 1000, 2002, 3000, 4000, 4100, 7000, 7700	1		1		1	
BL-20053	9490 / 909490 / 44140	Adapter - Hubless 4.5" OD for Models 1000, 2002, 3000, 4000, 4100, 7000, 7700	2	1	2	1	1	
BL-20054	9492 / 909492 / 40096	Self Aligning Spacer for ALL Ammco Lathes	1	1	1	1	1	1
BL-20057	9921 / 909921 / 44040	Double Taper Adapter 1.322" x 1.67"	1	1	1	1	1	1
BL-20082	9922 / 909922 / 44042	Double Taper Adapter 1.362" x 1.71"	1	1	1	1	1	1
BL-20022	4347 / 909347 / 47545	Adapter Set - Models 2002, 4000, 4100	SET					
BL-20111	4362 / 904362	Adapter Set - Models 3000, 7700		SET				
BL-20112	4368 / 904368	Adapter Set - Model 7000			SET			
BL-20113	5750 / 905750	Adapter Set - Model 6000, 6002				SET		
BL-20114	25841 / 925841	Adapter Set - Model 1000					SET	
BL-20115	29753 / 929753	Adapter Set - Model 3850						SET



**1" Arbor • BL-10020**  
(OEM 3101 / 903101 / 42021)



**Spring  
BL-20004**  
(OEM 3110 / 903110 /  
44500 / 433716 /  
8548 / 90155)



**Double Taper Adapter  
BL-20040**  
(OEM 9194 / 909194 / 44048 /  
865827 / 433711 / W129 /  
101-0260-42)

### Drive Tool Assembly

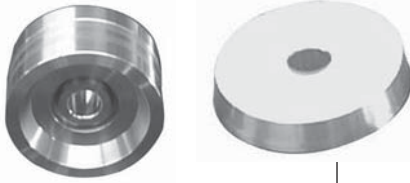
- Drives rotors and drums using the lug bolts without removing pressed-in / sealed bearings
- Works on most rotors and drums with pressed-in / sealed bearings (Honda, Mazda, Nissan, Ford Probe, Toyota vans)
- Fits any lathe with 1" arbor

**BL-40006**  
(OEM 436271, 8100073, 44180)



Parts available individually and as part of a set.

**1"**



## 1" Adapter Sets

SVI #	OEM #	Description	BL-20046 Hubless Auto & Lt Truck 9310 / 909310	BL-20047 Hubless Auto 9311 / 909311	BL-20048 Hubless Lt Truck 9312 / 909312	BL-20049 Hubless Truck 9313 / 909313	BL-20050 Hubless Odd Conf. Rotors 9314 / 909314
BL-20060	29572 / 929572	Hubless Rotor Hub Base 4.8"	1	1			1
BL-20061	29573 / 929573	Reversible Centering Cone 2.05"-3.99"	1	1			1
BL-20062	29574 / 929574	Arbor Spacer 2.5" Long	2	2			3
BL-20063	29575 / 929575	Auto Flange Plate 5.425"	1	1			
BL-20064	29576 / 929576	Large Lt. Truck Flange Plate 7.25"				1	
BL-20065	29577 / 929577	Large Lt. Truck Flange Plate 6.5"				1	
BL-20066	29578 / 929578	Lt. Truck Composite Flange Plate 6.625"	1		1		
BL-20067	29579 / 929579	Automotive Centering Cone 1.84"-2.2"	1	1			
BL-20068	29580 / 929580	Automotive Centering Cone 2.12"-2.48"	1	1			
BL-20069	29581 / 929581	Automotive Centering Cone 2.38"-2.75"	1	1			
BL-20070	29582 / 929582	Automotive Centering Cone 2.65"-3.03"	1	1			
BL-20071	29583 / 929583	Automotive Centering Cone 2.93"-3.3"	1	1			
BL-20072	29584 / 929584	Lt. Truck Centering Cone 3.2"-3.58"	1		1		
BL-20073	29585 / 929585	Lt. Truck Centering Cone 3.48"-3.85"	1		1		
BL-20074	29586 / 929586	Large Lt. Truck Centering Cone 3.75"-4.13"				1	
BL-20075	29587 / 928587	Large Lt. Truck Centering Cone 4.03"-4.4"				1	
BL-20076	29588 / 929588	Large Lt. Truck Centering Cone 4.3"-4.68"				1	
BL-20077	29589 / 929589	Large Lt. Truck Centering Cone 4.58"-4.95"				1	
BL-20078	29590 / 929590	Large Lt. Truck Centering Cone 4.85"-5.23"				1	
BL-20079	29591 / 929591	Centering Cone Spring	1	1		1	
BL-20046	9310 / 909310	1" Adapter Set (see above) 1.84"-3.85" Cars & Lt. Trucks up to Half-Ton	SET				
BL-20047	9311 / 909311	1" Adapter Set (see above) 1.84"-3.3" for Passenger Car		SET			
BL-20048	9312 / 909312	1" Adapter Set (see above) 3.2"-3.85" for Trucks up to Half-Ton			SET		
BL-20049	9313 / 909313	1" Adapter Set (see above) for 3/4 and 1-Ton Trucks				SET	
BL-20050	9314 / 909314	1" Adapter Set (see above) Odd Center Holes					SET



*For **Ammco**  
and more*





**1" Parts and Adapter Sets**



**Double Taper Set • BL-20045**  
(OEM 9232 / 909232 / 44780)



**Centering Cones**

**1"**

**Centering Cone Set**

SVI #	OEM #	Description	Fits Model #
BL-20116	3900 / 903900	Adapter Set (1 each: BL-20019, BL-20020)	2002, 3000, 4000, 4100, 7000, 7700
BL-20019	3902 / 903902 / 44000	Centering Cone 1.25" x 1.75"	2002, 3000, 4000, 4100, 7000, 7700
BL-20020	3903 / 903903 / 44001	Centering Cone 1.187" x 2.25"	2002, 3000, 4000, 4100, 7000, 7700

**Double Tapered Collet Set**

SVI #	OEM #	Description	Fits Model #
BL-20045	9232 / 909232 / 44780	Adapter Set (1 each: BL-20038, BL-20039, BL-20040, BL-20057, BL-20082)	1000, 2002, 3000, 4000, 4100, 7000, 7700
BL-20038	9192 / 909192 / 44044	Double Taper Adapter 1.711" x 2.073"	1000, 2002, 3000, 4000, 4100, 7000, 7700
BL-20039	9193 / 909193 / 44046	Double Taper Adapter 2.074" x 2.44"	1000, 2002, 3000, 4000, 4100, 7000, 7700
BL-20040	9194 / 909194 / 44048	Double Taper Adapter 2.441" x 2.897"	1000, 2002, 3000, 4000, 4100, 7000, 7700
BL-20057	9921 / 909921 / 10476	Double Taper Adapter 1.322" x 1.67"	1000, 2002, 3000, 4000, 4100, 7000, 7700
BL-20082	9922 / 909922 / 10477	Double Taper Adapter 1.362" x 1.71"	1000, 2002, 3000, 4000, 4100, 7000, 7700

**Double Tapered Collet Set for Trucks**

SVI #	OEM #	Description	Fits Model #
BL-20087	9233 / 909233	Adapter Set (1 each: BL-20041, BL-20042)	Fits Bearing Race Diameters From 2.828" to 3.560"
BL-20041	9195 / 909195 / 44054	Double Taper Adapter 2.828" x 3.185"	Fits Bearing Race Diameters From 2.828" to 3.560"
BL-20042	9196 / 909196 / 44056	Double Taper Adapter 3.203" x 3.56"	Fits Bearing Race Diameters From 2.828" to 3.560"



**11/16" Arbors, Adapters, Nuts, Cones**

**11/16"**

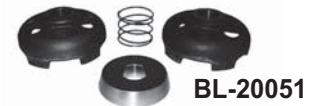
SVI #	OEM #	Description	Fits Model #'s
BL-10099	3122 / 903122 / 40093	Arbor (11/16")	2002, 3000, 4000, 4100, 7000, 7700
BL-20131	5746 / 905746	Arbor (11/16")	6000
BL-20132	25831 / 925831	Arbor	1000
BL-20133	28573 / 928573	Arbor	3850
BL-20005	3118 / 903118 / 43121	Centering Cone .75" x 1.375"	1000, 2002, 3000, 3850, 4000, 4100, 6000, 7000, 7700
BL-20006	3120 / 903120 / 43120	Spacer - 1" Long (11/16" Hole)	1000, 2002, 3000, 3850, 4000, 4100, 6000, 7000, 7700
BL-20007	3121 / 903121 / 43109	Spacer - 1/2" Long (11/16" Hole)	1000, 2002, 3000, 3850, 4000, 4100, 6000, 7000, 7700
BL-20058	22138 / 922138 / 43118	Spherical Washer Set - 11/16" ID	1000, 2002, 3000, 3850, 4000, 4100, 6000, 7000, 7700
BL-20059	25882 / 925882 / 43117	LH Thread Arbor Nut (11/16")	2002, 3000, 3850, 4000, 4100, 6000, 7000, 7700
BL-20083	25939 / 925939	RH Thread Arbor Nut (11/16")	1000
BL-20080	3127 / 903127 / 47130	Step Down Adapter 1" x 11/16"	
BL-20134	2170 / 902170	Rear Drum Adapter	Use with (3127 / 903127) BL-20080 Step Down
BL-20135	1008 / 901008	Arbor Set 11/16"	1000
BL-20056	9708 / 909708 / 40094	Arbor Set 11/16"	2002, 3000, 4000, 4100, 7000, 7700
BL-20136	9709 / 909709	Arbor Set 11/16"	3850
BL-20137	9495 / 909495	Arbor Set 11/16"	6000



**1-7/8"**

## 1-7/8" Adapter Sets

SVI #	OEM #	Description	BL-20117	BL-20118	BL-20119	BL-20120	BL-20051	BL-20055
			4775 / 904775	8994 / 908994	8995 / 908995	9234 / 909234	9399 / 909399	9499 / 909499
BL-20011	3191 / 903191 / 45100	Spacer - 1" Long (1-7/8" hole)	1	1				
BL-20012	3192 / 903192 / 45102	Spacer - 2" Long (1-7/8" hole)	1	1				
BL-20013	3193 / 903193 / 45104	Spacer - 3" Long (1-7/8" hole)	5	5				
BL-20014	3194 / 903194 / 45030	Centering Cone 2.0" x 3.375"	1	1				
BL-20015	3577 / 903577 / 45140	Hubless Adapter 6.25" OD	2	2				2
BL-20016	3578 / 903578 / 45142	Hubless Adapter 7.813" OD					2	
BL-20017	3581 / 903581 / 45144	Hubless Adapter 9.625" OD	2		2			
BL-20018	3590 / 903590 / 45500	Spring for Centering Cone	1	1	1		1	1
BL-20023	4732 / 904732 / 45903	Centering Cone 4.656" x 5.25" 1-7/8"bore					1	
BL-20024	4776 / 904776 / 45918	Centering Cone 2.75" x 3.344"	1	1				
BL-20025	4777 / 904777 / 45919	Centering Cone 3.281" x 3.891"	1	1				
BL-20026	4778 / 904778 / 45900	Centering Cone 3.828" x 4.421"	2	2				1
BL-20027	4779 / 904779 / 45902	Centering Cone 4.359" x 4.968"	2	2				1
BL-20028	4781 / 904781 / 45904	Centering Cone 4.891" x 5.5"	2	2				
BL-20029	4782 / 904782 / 45906	Centering Cone 5.438" x 6.031"	2	2				
BL-20030	4783 / 904783 / 45908	Centering Cone 5.969" x 6.563"	1		1			
BL-20031	4784 / 904784 / 45910	Centering Cone 6.5" x 7.438"	1		1			
BL-20032	4785 / 904785 / 45912	Centering Cone 7.031" x 7.641"	1		1			
BL-20081	4786 / 904786 / 45014	Centering Cone 7.578" x 8.172"	1		1			
BL-20034	4790 / 904790 / 47120	Arbor Step Down Adapter 1-7/8" to 1" (Set of 3)						1
BL-20043	9197 / 909197 / 45050	Double Taper Adapter 2.828" x 3.185"				1		
BL-20044	9198 / 909198 / 45052	Double Taper Adapter 3.203" x 3.56"				1		
<b>BL-20117</b>	4775 / 904775	<b>Adapter Set - Hubbed &amp; Hubless (Use w/Arbors/Sets BL-20128, and BL-20129, BL-20124; Center Holes 2.75"-8.17"</b>						
<b>BL-20118</b>	8994 / 908994	<b>Adapter Set - Med. Duty (Use w/ Arbors/Sets BL-20128, BL-20129, and BL-20124) Center Holes 2.75"-6.03"</b>						
<b>BL-20119</b>	8995 / 908995	<b>Adapter Set - Heavy Duty (Use with BL-20128 Arbor Set, BL-20129 Arbor Set); Center Holes 5.97"-8.17"</b>						
<b>BL-20120</b>	9234 / 909234	<b>Adapter Set - Double Taper (Use with BL-20128 Arbor Set, BL-20129 Arbor Set, BL-20124 Arbor)</b>						
<b>BL-20051</b>	9399 / 909399 / 49399	<b>Adapter Set - Ford Light Truck</b>						
<b>BL-20055</b>	9499 / 909499 / 47550	<b>Adapter Set - Light Truck (Standard with 4100 Series)</b>						
<b>BL-20084</b>	9394 (covers 9399 / 9499)	<b>Adapter Set - Light Truck (Covers 9399 and 9499 Applications)</b>						



**Double Taper Collet**



**Spacers**



**Hubless Adapter BL-20015**



**BL-20055 Large Range Light Truck Set**  
**1-7/8" Center Hole**  
(Also available in 1", which eliminates need for step down)

*For **Ammco**  
and more*

**1-7/8"**

**1-7/8" Arbor Sets / Arbor Nut**

For Truck Rotors & Drums up to 200 lbs.

SVI #	OEM #	Description	Fits Model #
BL-20121	3198 / 903198	Arbor -Truck	2002, 3000, 4000, 4100, 7000, 7500, 7700
BL-20122	3460 / 903460	Arbor Nut 1-7/8" x 2-1/2"	2002, 3000, 4000, 4100, 6000, 7000, 7500, 7700
BL-20123	5722 / 905722	Arbor Nut Wrench for 1-7/8" x 2-1/2"	2002, 3000, 4000, 4100, 6000, 7000, 7500, 7700
BL-20125	25844 / 925844	Arbor Nut - Use BL-20126 Arbor	1000
BL-20126	25845 / 925845	Arbor	1000
BL-20127	28574 / 928574	Arbor - Truck	3850, 3860
BL-20124	5748 / 905748	Arbor - Truck (Arbor, plus BL-20122)	
BL-20128	1081 / 901081	Arbor Set (3 pc set, BL-20123, 20125, 20126)	1000
BL-20129	3481 / 903481	Arbor Set - Truck Rotors & Drums (3 pc set, BL-20121, BL-20122, BL-20123)	2002, 3000, 4000, 4100, 7000, 7500, 7700
BL-20130	3491 / 903491	Arbor Set - Truck Rotors & Drums (3 pc set, BL-20122, BL-20123, BL-20127)	3850, 3860

**2-1/2" Arbor Set**

**2-1/2"**

Heavy Duty for Model 6000

SVI #	OEM #	Description
BL-20122	3460 / 903460	Arbor Nut (1-7/8" & 2-1/2")
BL-20138	5712 / 905712	Washer
BL-20139	5713 / 905713	Spacer 1" Long
BL-20140	5714 / 905714	Spacer 2" Long
BL-20141	5715 / 905715	Spacer 3" Long
BL-20142	5716 / 905716	Centering Cone 2.936" x 4.078"
BL-20143	5717 / 905717	Centering Cone 3.936" x 5.063"
BL-20144	5718 / 905718	Centering Cone 4.936" x 6.063"
BL-20145	5749 / 905749	Arbor
BL-20146	5710 / 905710	Arbor Set (15 piece set)

**Boring Bars**

SVI #	OEM #	Description	For Model #'s
BL-10127	5843 / 905843	1-1/2" Hex Drum Boring Bar	3000, 4000
	/ 40106	15-1/2" Long	
BL-10257	5844 / 905844	1-1/2" Hex Boring Bar	4100, 7700
		19-1/2" Long	
BL-10359	29240 / 929240	1-1/2" Hex Drum Boring Bar	3850
		16-1/2" Long	



**Wrenches**

SVI #	OEM #	Description	Model #'s
BL-10010	3022 / 903022 / 40144	Wrench 1-1/4" x 1-1/16"	1000, 3000, 3850, 4000, 4100, 7000, 7700
BL-10109	3218 / 903218 / 40145	Wrench 5/16" x 3/8"	1000, 3000, 3850, 4000, 4100, 7000, 7700
BL-20123	5722 / 905722	Arbor Nut Wrench 1-7/8" & 2-1/2"	
BL-20147	27077 / 927077	Double Ended Wrench	700, 710

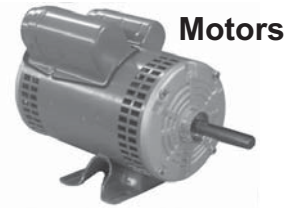


**BL-10010  
Wrench**



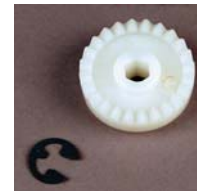
## Motor and Miscellaneous Parts

SVI #	OEM #	Description	Model #'s
BL-10006	2165 / 902165 / 40052	1 HP Motor Only 4-Bolt (Also see BL-10006-01)	
BL-10006-01	2165-01 / 90216501	1 HP Motor & Mount Bracket (BL-10006 and BL-10008)	
BL-10008	3009 / 903009 / 40053	Motor Mount Bracket	
BL-10253	3148 / 903148	Oil Level Stick / Dipstick	3000, 4000, 4100, 7000, 7700
BL-10364	4282 / 904282	Bearing Protector Fits Arbors Up to 2.25"	
BL-10365	6003 / 906003	LH Saddle Assy	6002
BL-10037	6854 / 906854 / 40013	3-Arm Red Knob	
BL-10051	7996 / 907996 / 42038	Shear Gear & C-clip	4000, 4100, 7500
BL-10053	9590 / 909590 / 42051	Spindle Lock Kit	
BL-10040	6893 / 906893 / 40076	Main Switch	
BL-30063	2760 / 902760	Disc/Rotor Mechanical Micrometer (0" to 2.25" - Inch)	



**Motors**

**Switches**



**Motor Mount Bracket**  
Order BL-10008  
(OEM 3009 / 903009 / 40053)



**Oil Level Stick/  
Dipstick**  
Order BL-10253  
(OEM 3148 / 903148)



**3-Arm Red Knob**  
Order BL-10037  
(OEM 6854 / 906854 / 40013)

**Shear Gear & C-clip**  
Order BL-10051  
(OEM 7996 / 907996 / 42038)

## Safety Shields



SVI #	OEM #	Description	Model #
BL-10154	9481 / 909481 / 42001	Safety Shield Assembly (with metal bracket & screws)	6900, 6950, 7900
BL-10360	9491 / 909491	Safety Shield Assembly (with metal bracket & screws)	6000
BL-10064	11154 / 911154 / 42001AQ	Clear Shield Only	For (9481) BL-10154 Kit

## Boots

SVI #	OEM #	Description	Model #
BL-10017	3085 / 903085 / 42036	Spindle Boot; Use (23682) BL-10071 Ring	3000, 4000
---	10401	Discontinued Spindle Boot; Use BL-10017	
BL-10017R	3085-P	Rubber Spindle Boot, Replaces 3085-P Plastic Boot	
BL-10018	3086 / 903086 / 42027	Feed Screw Boot	3000, 4000, 7000
BL-10019	3087 / 903087 / 42026	Cross Feed Boot	3000, 4000, 4100, 7000, 7700
BL-10123	3595 / 903595 / 42003	Boot Coil Spring	
BL-10071	23682 / 923682 / 42032	Spindle Ring - Use BL-10017 Boot Assy.	
BL-10361	28824 / 928824	Drive Rod Boot	7000
BL-10362	29190 / 929190	Leadscrew Boot	3850
BL-10363	29191 / 929191	Cross Feed Boot	3850



**Boot Coil Spring**  
BL-10123  
(OEM 3595 / 903595 / 42003)



**Spindle Boot • BL-10017**  
(OEM 3085 / 903085 / 42036)



**Feed Screw Boot**  
BL-10018  
(OEM 3086 / 903086 / 42027)



**Cross Feed Boot**  
BL-10019  
(OEM 3087 / 903087 / 42026)



**Spindle Ring**  
BL-10071  
(OEM 23682 / 923682 / 42032)



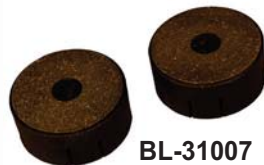
**Friction Style Rotor Silencers**



**BL-31000**  
Clip-On Silencer



**BL-31006**



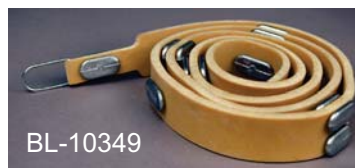
**BL-31007**

SVI #	OEM #	Description	For Model #'s
BL-31000	1175 / 1180 / 434296 / 5572 / 90198 175-185-2	Clip On Rotor Silencer	(Used on many brands including Ammco, Accu-turn, All-Tool, FMC, Hunger, Kwikway, Performance, RELS) (This # is not for Pro-Cut; Call for alternative)
BL-31006	7075 / 907075	Friction Rotor Silencer (For replacement pads, order BL-31007)	Ammco 2002, 4000, 4100, 7500, Hofmann Bulldog 660, Performance 6600 & 7200, Ammco / All-Tool 747 Lathes
Call	70752 / 9070752	Friction Rotor Silencer	3850
BL-31007	9183 / 909183	Replacement Pads (2) for BL-31006 (OEM 7075)	

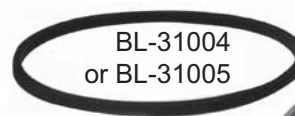
**Silencer Bands For Rotors** *Eliminate chatter when turning rotors and drums.*



**BL-31003**



**BL-10349**



**BL-31004**  
or **BL-31005**



**BL-31008**

SVI #	OEM #	Description
BL-31003	6920 / 906920 / 11488	Ventilator Rotor Weighted Silencer Band
BL-10349	6930 / 906930	Heavy Duty Ventilator
BL-31004	6921 / 906921 / 29349	Non-Ventilated 6.50" Dia. (For package of 2, order BL-31004-2) Use on Thin Solid Rotors
BL-31005	6922 / 906922	Non-Ventilated 9.25" Dia. (For package of 2, order BL-31005-2) Use on Thin Solid Rotors
BL-31008	9800 / 909800 / 11494V	Ventilator Rotor Spring Silencer Assy. - Connect 3 or 4 springs together to form a ring. (4 springs included)

**Silencer Bands For Drums**

SVI #	OEM #	Description
BL-31001	5280 / 905280 / 11486V	1-3/4" Drum Silencer Band for Automotive Drums
BL-31002	5290 / 905290 / 11487V	2-3/4" Drum Silencer Band for Wider Truck Drums



**BL-31001**  
(OEM 905280)



**BL-31002**  
(OEM 905290)

*For **Ammco**  
and more*





SVI #	OEM #	Description
BL-40000	433735	Telescoping Way Cover Assy.
BL-40001	433156	Rotor Feed Screw
BL-40002	433157	Drum Feed Screw
BL-40003	433633	T-Bolt
BL-40004	433646	Drum Feed Nut (Coarse Thread)
BL-40005	433647	Rotor Feed Nut (Fine Thread)
BL-20058	433164	11/16" Arbor Spherical Washer Set
BL-40009	433174	Rotor Runout, Ball Joint Dial Indicator Gauge
BL-40010	433641	Feed Motor 1/60 HP, 60 RPM
BL-40011	433673	Cogged Drive V-Belt
BL-40012	433682	Way Cover Spacer
BL-40013	433685	Work Lamp
BL-40014	433693	Old Style Toggle Switch w/ Pigtails
BL-40007	433701	1" Arbor
BL-40016	433712	1" Spacer
BL-40017	433713	1" Arbor Nut
BL-40018	433760	Adjusting Screw
BL-20008	433703	5.7" Hubless Adapter
BL-40015	433704	4.25" Hubless Adapter
BL-20020	433705	Centering Cone 1.187"-2.25"
BL-20024	433706	Centering Cone 2.75"-3.3334
BL-20025	433707	Centering Cone 3.281"-3.891"
BL-20057	433963	Double Taper Adapter 1.322" x 1.67" (1" Bore)
BL-20082	433708	Double Taper Adapter 1.362" x 1.710" (1" Bore)
BL-20038	433709	Double Taper Adapter 1.711" x 2.073" (1" Bore)
BL-20039	433710	Double Taper Adapter 2.074" x 2.440" (1" Bore)
BL-20040	433711	Double Taper Adapter 2.44" x 2.897" (1" Bore)
BL-20004	433716	Centering Cone Spring
BL-31001	433782	1-3/4" Drum Silencer Length=5'8"
BL-31002	434650	Heavy Duty 2-3/4" Truck Drum Silencer Band 6'
BL-40019	433785	Large Ventilated Disc Rotor Silencer Band
BL-31004	433789	Small Black Solid Rotor Silencer Band (6-9") 2-pk.
BL-20055	434054	Std Light Truck Adapter Set (1" Bore)
BL-40020	434060	Disc/Rotor Mechanical Micrometer

## For Accu-Turn



Telescoping Way Cover  
**BL-40000**  
(OEM 433735)



(Rotor Feed Screw pictured)

**Rotor Feed Screw • BL-40001** (OEM 433156)  
**Drum Feed Screw • BL-40002** (OEM 433157)

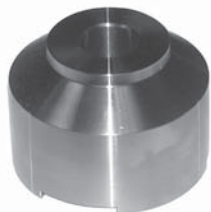


**Drum Feed Nut • BL-40004** (OEM 433646)  
(Coarse Thread - pictured)

**Rotor Feed Nut • BL-40005** (OEM 433647)  
(Fine Thread)



**V Belt • BL-40011** (OEM 433673)



**Hubless  
Adapters**



**Centering  
Cones**

Pictured: **BL-20024**  
(OEM 433706)



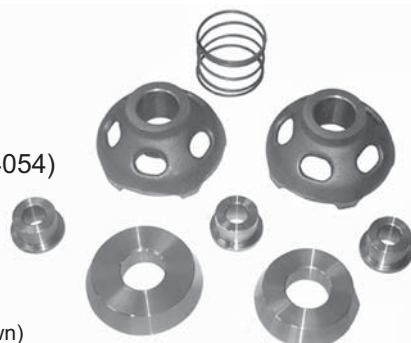
**Double  
Taper  
Adapters**

Pictured: **BL-20082**  
(OEM 433708)

BL-20055 (OEM 434054)

### Large Range Light Truck Set

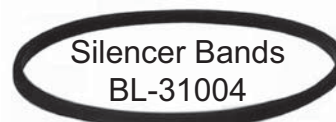
1-7/8" Center Hole  
(Also available in 1", which  
eliminates need for step down)



**BL-31001**  
(OEM 433782)



**BL-31002**  
(OEM 434650)



**Silencer Bands  
BL-31004**

# For *Accu-Turn*

SVI #	OEM #	Description
BL-40021	434061	Large Black Solid Rotor Silencer Band 10-12" (2 pk)
BL-20026	*434141	Centering Cone <b>Specify which size you need:</b> 3.828" x 4.421"
BL-20027	*434141	OR: 4.359" x 4.968"
BL-20041	434289	Double Taper Adapter 2.828" x 3.185" (1" Bore)
BL-20042	434290	Double Taper Adapter 3.203" x 3.560" (1" Bore)
BL-40022	434292	Includes 1 Centering Cone 1.25"-1.75" (BL-20019) & 1 washer (BL-60001)
BL-20087	434295	Double Taper Adapter Truck Set (2 pcs.) (1" Bore)
<b>BL-31000</b>	<b>434296</b>	<b>Clip-On Disc Silencer</b>
<b>BL-40023</b>	<b>434470</b>	<b>Small Ventilated Disc Rotor Silencer Band 6-9"</b>
BL-20034	434472	1-7/8" to 1" Step Down Adapter (set of 3)
BL-20006	434476	Spacer - 1" Long; Use on Any 11/16" Arbor
BL-20007	434477	Spacer - 1/2" Long; Use on Any 11/16" Arbor
BL-20005	434479	Centering Cone for Any 11/16" Arbor
See Cones	434639	Centering Cone 1-7/8" Bore
See Cones	434640	Centering Cone 1-7/8" Bore
BL-20052	434776	3.625" Hubless Adapter Cup
BL-10353	436050	Digital Indicator Set
BL-20023	436052	Centering Cone 4.5"-5.5"; 1-7/8" Bore
BL-20015	436053	6-1/2" Alignment Cup; 1" Bore
BL-20102	436054	Light & Med Truck Adapter Set (Set of 5)
BL-40008	436057	Hubless Rotor Adapter Set -1" Bore, 4 pcs.
BL-10354	436229	Premium Electronic Digital Rotor Micrometer
BL-10355	436230	Premium Electronic Digital Drum Micrometer
BL-10356	436258	Rotor Runout / Ball Joint Dial Indicator Gauge
BL-40024	436259	Way Wiper Kit
<b>BL-40006</b>	<b>436271</b>	<b>Drive Dog Assy. Tool</b>
BL-40025	436367	Drum Wear Limit Gauge
<b>BL-20035</b>	<b>535635</b>	<b>Hubless Adapter Kit for Rotors 2-5/32" to 3-15/16" center hole</b>
<b>BL-20036</b>	<b>535636</b>	<b>Passenger Car Adapter Plates for Rotors 1-7/8" - Composite</b>
<b>BL-20037</b>	<b>535637</b>	<b>Composite Rotor Plate Set for GM 1500 Series Trucks 1-7/8"</b>



**BL-31000**  
**Clip-On Silencer**

## Drive Tool Assembly



**BL-40006**  
(OEM 436271, 8100073, 44180)

- Drives rotors and drums using the lug bolts without removing pressed-in / sealed bearings
- Works on most rotors and drums with pressed-in / sealed bearings (Honda, Mazda, Nissan, Ford Probe, Toyota vans)

*Fits Any Lathe with 1" Arbor*



**BL-30020**  
**Bit Set for Accu-Turn (10-Pack)**

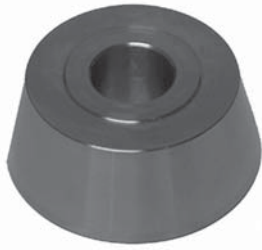
**POSITIVE RAKE**  
Accu-Turn (OEM 433796 / 433795)



**BL-30002-10 (10-Pack)**

**NEGATIVE RAKE**

<b>Ammco</b>	(OEM 6914 / 906914)
<b>Accu-Turn</b>	(OEM 878051)
<b>FMC/John Bean/Snap On</b>	(OEM 90817)
<b>Hunter</b>	(OEM 45001)
<b>Performance</b>	(OEM 3340 / 3354)
<b>RELS</b>	(OEM 45001)



### Centering Cones



**BL-31000**  
Clip-On Silencer



BL-31001

BL-31002



**Adjustable Ventilated Rotor Silencer Band with 7 Lead Weights**

**BL-31003**

(OEM 5576 / 6920 / 906920 / 11488)



**Hubless Adapter 6.25" OD (1-7/8") • BL-20015**  
(OEM 5998 / 45140)

## For *All Tool*

SVI #	OEM #	Description
BL-20045	5030D	Double Taper Adapter Set (5 pcs.) 1" bore
BL-20087	5038D	Double Taper Adapter Truck Set (2 pcs.) 1" bore
BL-40016	5509	Spacer 1"
BL-20101	5511	Light & Med Truck Adapter Set (4 pcs.)
BL-20018	5514	Large Spring for Centering Cones
BL-46000	5531	11/16" Arbor Kit
BL-46001	5542	1" Std. Arbor
BL-40017	5543	1" Std. Arbor Nut
BL-20059	5545	11/16" Arbor Nut
BL-20006	5560	Spacer 1" Long
BL-20009	5564	Spacer 1/2" Long
BL-46002	5566	Spacer 2" long, 1" Dia.
BL-31000	5572	Clip-On Disc Silencer
BL-31001	5574	1-3/4" Drum Silencer
BL-31002	5575	Heavy Duty 2-3/4" Truck Drum Silencer Band
BL-31003	5576	Adjustable Ventilated Rotor Silencer Band w/7 Lead Weights
BL-40021	5578	Large Black Solid Rotor Silencer Band 10-12"
BL-20084	5589	Light Truck Adapter Set (5 pcs.) 1" bore
BL-46003	5595	Rotor Adapter, Must Use BL-20020 Cone to Support Adapter
BL-20035	5950	Hubless Adapter
BL-46004	5962	Composite Rotor Clamping Plate Set
BL-46005	5973	Passenger Car Adapter Plates for Composite Rotors
BL-46006	5974	Hubless Adapter & Passenger Car Plates
BL-46007	5986	Centering Cone 1" bore
BL-20015	5998	6.25" OD Alignment Cup (1-7/8")
BL-20016	5999	7-3/4" Alignment Cup (1-7/8")



**Double Taper Set • BL-20045**  
(OEM 9232 / 909232 / 44780)



**Thrust Washer**

# For **FMC/John Bean**

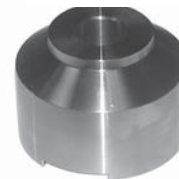
SVI #	OEM #	Description
BL-20148	90043	1" Arbor
BL-20005	90054 / 903118 / 43121	Centering Cone for Any 11/16" Arbor, 1" bore
BL-20007	90055 / 903121 / 43109	Spacer 1/2" Long; Use on Any 11/16" Arbor
BL-20006	90056	Spacer 1" Long; Use on Any 11/16" Arbor
BL-50000	90070	Hex Drive for 90071 Rotor Feed Screw
<b>BL-50001</b>	<b>90071</b>	<b>Rotor Feed Screw</b>
<b>BL-50002</b>	<b>90077</b>	<b>Rotor Feed Nut</b>
BL-20004	90155 / 903110 / 44500	Centering Cone Spring
BL-20000	90157	Centering Cone 3.421" - 4.031" 1" bore
BL-20020	90159 / 903903 / 44001	Centering Cone 1.187" x 2.25" 1" bore
BL-40021	90194 / 434061	Large Black Solid Rotor Silencer Band 10-12"
<b>BL-31004</b>	<b>90196 / 6921 / 29341</b>	<b>Small Black Solid Rotor Silencer Band 6-9"</b>
<b>BL-31000</b>	<b>90198</b>	<b>Clip-On Disc Silencer</b>
BL-40020	90317	Disc/Rotor Mechanical Micrometer
BL-20150	90318	Metric Disc/Rotor Micrometer
BL-20052	90510	3.625" Hubless Adapter Cup 1" Bore
BL-20053	90511	4.5" Hubless Adapter Cup, 1" Bore
BL-40016	90554	Spacer 1"
BL-46002	90556	Spacer 2"
BL-20055	90559	Light Truck Adapter Set 1" Bore
BL-20053	90511	4.5" Hubless Adapter Cup
BL-20020	90562	Centering Cone 1.187" - 2.25" 1" Bore
BL-20008	90581	5.7" Hubless Adapter 1" Bore
BL-20151	90621	Centering Cone 3-5/8" - 5-1/8"
BL-20152	90622	Centering Cone 5" - 6-1/8"
BL-20015	90628	6-1/2" Alignment Cup
BL-20018	90630	Large Spring for Centering Cone
BL-20153	90667	Drum Feed Screw
BL-20035	90881 92039	Hubless Adapter Kit
BL-40017	90905	1" Arbor Nut
BL-20087	90912	Double Taper Adapter Truck Set (2 pcs) 1" Bore
BL-20023	90923	Centering Cone 4.5" - 5.5" 1-7/8" Bore
BL-20021	90924	Centering Cone 1.703" - 2.75" 1" Bore
BL-20002	90925	Centering Cone 2.328" - 2.968" 1" Bore
BL-20001	90926	Centering Cone 2.89" - 3.5" 1" Bore
BL-20000	90927	Centering Cone 3.421" - 4.031" 1" bore
BL-20008	90929	5.7" Hubless Adapter 1" Bore
BL-20018	90959	Large Spring for Centering Cone
BL-46005	90967	Composite Rotor Clamping Plate set (2 pcs)
BL-20154	90968	Jeep Cherokee/Eagle Plate (Double-Sided)
BL-40019	90982	Large Ventilated Disc Rotor Silencer Band 10-12"
BL-31002	90983	Heavy Duty 2-3/4" Truck Drum Silencer Band 6'
BL-31003	90984	Adjustable Ventilated Rotor Silencer Band with 7 Lead Weights
BL-40023	90985	Small Ventilated Disc Rotor Silencer Band 6-9"
BL-20155	90986	Small Non-Ventilated Solid Rotor Silencer 6-9"
BL-20156	90987	Large Non-Ventilated Solid Rotor Silencer 10-12"
BL-31001	90988	1-3/4" Drum Silencer for Automotive Drums 5'8"
BL-20157	90989	Universal Ventilated Rotor Silencers, Non-Adjustable
BL-20045	92014	Double Taper Adapter Set (5 pcs.) 1" bore
BL-20035	92039	Hubless Adapter Kit
BL-50004	1016845	Drum Nut Feed



**Spring**  
**BL-20004**  
(OEM 3110 / 903110 / 44500 / 433716 / 8548 / 90155)



**BL-31000**  
**Clip-On Silencer**



**BL-20052**  
(OEM 90510)



**BL-50002**  
(OEM 90077)

## Adapter Sets



**BL-20055 (OEM 90559)**  
**Large Range Light Truck Set**  
1-7/8" Center Hole

(Also available in 1", which eliminates need for step down)

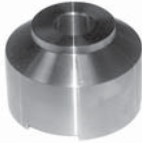


**BL-31001**  
**1-3/4" Drum Silencer**





Alignment Cups



Hubless Adapters

**BL-31000**

Clip-On Silencer



BL-20055 (OE RP8-8511)

**Large Range  
Light Truck Set**

1-7/8" Center Hole

(Also available in 1", which eliminates need for step down)

### Drive Tool Assembly



**BL-40006**

(OEM 436271, 8100073, 44180)

- Drives rotors and drums using the lug bolts without removing pressed-in / sealed bearings
- Works on most rotors and drums with pressed-in / sealed bearings (Honda, Mazda, Nissan, Ford Probe, Toyota vans)
- Fits any lathe with 1" arbor

## For *Hunter*

SVI #	OEM #	Description
BL-40016	RP8-8409	1" Spacer
See Centering Cones Section	RP8-8477	Centering Cone 3-5/8" - 5-1/8" (1" Bore)
BL-20055	RP8-8511	Light Truck Adapter Set (1" Bore)
BL-20052	RP8-8527	3.625" Hubless Adapter Cup
BL-20019	RP8-8528	Centering cone 1.25" - 1.75" (1" Bore)
BL-20003	RP8-8546	5.7" Hubless Adapter 1" Bore
BL-20004	RP8-8548	Centering Cone Spring
BL-20000	RP8-8550	Centering Cone 3.421"-4.031" (1" Bore)
BL-20010	RP8-8552	Centering Cone 2.65"-3.224" (1" Bore)
BL-20021	RP8-8554	Centering Cone 1.703"-2.75" (1" Bore)
BL-20005	RP8-8558	Centering Cone 0.75" X 1.375" for any 11/16" Arbor
BL-20009	RP8-8564	1/2" Long Spacer (1" Bore)
BL-46002	RP8-8566	2" Spacer
BL-20053	RP8-8582	4.5" Hubless Adapter Cup (1" Bore)
BL-46001	RP8-9019	1" Std Arbor
BL-20034	20-1333-1	1-7/8" to 1" Step Down Adapter (set of 3)
BL-20035	20-1263-2	Hubless Adapter Kit
BL-10356	25-99-2	Rotor Runout/Ball Joint Dial Indicator Gauge
BL-40020	25-123-2	Disc/Rotor Mechanical Micrometer
BL-20054	46-432-2	Self Aligning Spacer
BL-40016	46-440-2	Spacer 1"
BL-46002	46-441-2	Spacer 2"
BL-20158	58-134-2	Solid Magnetic Rotor Silencer Band
BL-40017	97-394-2	1" Arbor Nut
BL-20159	97-422-2	1" Arbor
BL-20018	98-344-2	Large Spring for Centering Cones
BL-20004	98-345-2	Centering Cone Spring
<b>BL-31000</b>	<b>175-185-2</b>	<b>Clip-On Disc Silencer</b>
<b>BL-31001</b>	<b>175-186-2</b>	<b>1-3/4" Drum Silencer 5'8"</b>
<b>BL-31002</b>	<b>175-187-2</b>	<b>2-3/4" Truck Drum Silencer Band</b>
<b>BL-31003</b>	<b>175-188-2</b>	<b>Adjustable Ventilated Rotor Silencer Band w/7 Wts.</b>
<b>BL-31004</b>	<b>175-189-2</b>	<b>Small Black Solid Rotor Silencer Band 6-9"</b>
BL-40021	175-190-2	Large Non-Ventilated Solid Rotor Silencer Band
BL-20016	175-192-2	7-3/4" Alignment Cup (1" Bore)
BL-20003	175-231-2	5.7" Hubless Adapter (1" Bore)
BL-20053	175-233-2	4.5" Hubless Adapter Cup
BL-20015	175-251-2	6.5" Alignment Cup (1" Bore)
<b>BL-31008</b>	<b>175-276-1</b>	<b>Ventilated Rotor Spring Silencer Assy. (4 Springs)</b>
BL-10064	179-27-2	Universal Chip Safety Shield ( <i>shield only</i> )
See Centering Cones Section	192-105-2	Centering Cone 3.95"-6" (1-7/8" Bore)
BL-20029	192-106-2	Centering Cone 5.438"-6.031" (1-7/8" Bore)
BL-20021	192-111-2	Centering Cone 1.703"-2.75" (1" Bore)
BL-20010	192-112-2	Centering Cone 2.65"-3.224" (1" Bore)
BL-20000	192-113-2	Centering Cone 3.421"-4.031" (1" Bore)
BL-20023	192-120-2	Centering Cone 4.5"-5.5" (1-7/8" Bore)
See Centering Cones Section	192-124-2	Centering Cone 3.95"-6" (1-7/8" Bore)
192-126-2	(same)	
BL-40006	8100073	Drive Tool Assembly
<b>BL-20182</b>	<b>2216263</b>	<b>Micro Round Bits for Hunter On-Car Lathe OCL360</b>



Silencer Bands



Centering Cones



Springs



Safety Shield  
**BL-10154**



*For **Kwikway***



**Hubless Adapter Kit**

**BL-20035**

(OEM 102-0900-01 /  
8800 / 47300)



**BL-20007**

SVI #	OEM#	Description
BL-20160	1252-18	Work Lamp
BL-20004	000-1806-70	Centering Cone Spring
BL-31001	101-0230-10	1-3/4" Drum Silencer 5'8"
BL-20008	101-0235-40	5.7" Hubless Adapter (1" Bore)
BL-20000	101-0237-02	Centering Cone 3.421"-4.031" (1" Bore)
BL-20019	101-0242-45	Centering Cone 1.25"-1.75" (1" Bore)
BL-20021	101-0243-00	Centering Cone 1.703"-2.75" (1" Bore)
BL-20057	101-0260-02	Double Taper Adapter 1.322"-1.67" (1" Bore)
BL-20082	101-0260-12	Double Taper Adapter 1.362"-1.71" (1" Bore)
BL-20038	101-0260-22	Double Taper Adapter 1.711"-2.073" (1" Bore)
BL-20039	101-0260-32	Double Taper Adapter 2.074"-2.44" (1" Bore)
BL-20040	101-0260-42	Double Taper Adapter 2.441"-2.897" (1" Bore)
BL-20041	101-0260-52	Double Taper Adapter 2.828"-3.185" (1" Bore)
BL-20042	101-0260-62	Double Taper Adapter 3.203"-3.56" (1" Bore)
BL-20015	101-0635-00	6.5" Alignment Cup
BL-20161	101-0637-04	1-7/8" to 1" Step Down Adapter
BL-20018	101-0638-01	Large Spring for Centering Cone
BL-20023	101-0639-00	Centering Cone 4.5"-5.5" (1-7/8" Bore)
BL-20029	101-0644-09	Centering Cone 5"-6-1/8" (1-7/8" Bore)
BL-20007	102-1056-00	Spacer 1/2" Long; Use on Any 11/16" Arbor
BL-20006	102-1057-00	Spacer 1" Long; Use on Any 11/16" Arbor
BL-20005	102-1058-00	Centering Cone for Any 11/16" Arbor (1" bore)
BL-31000	102-1075-00	Clip-On Disc Silencer
BL-20087	102-1078-00	Double Taper Adapter Truck Set
BL-20035	102-0900-01	Hubless Adapter Kit
<b>BL-31004</b>	<b>*108-1060-00</b>	<b>SMALL Solid Rotor Silencer Band 6-9"</b>
<b>BL-40021</b>	<b>*108-1060-00</b>	<b>LARGE Solid Rotor Silencer Band 10-12"</b>
<b>BL-40023</b>	<b>*108-1061-00</b>	<b>SMALL Ventilated Disc Rotor Silencer Band</b>
<b>BL-40019</b>	<b>*108-1061-00</b>	<b>LARGE Ventilated Disc Rotor Silencer Band</b>
BL-31003	108-1062-00	Adjustable Ventilated Rotor Silencer Band w/7 Wts.
BL-20052	109-1011-09	3.625" Hubless Adapter Cup
BL-20053	109-1012-06	4.5" Hubless Adapter Cup
BL-40016	109-1032-09	Spacer 1"
BL-46002	109-1033-06	Spacer 2"

\*Part # reference is for LARGE or SMALL, please specify correct Part #  
when ordering

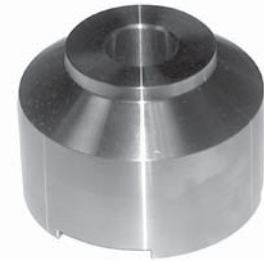


1" long spacer



# For *Perfect Hofmann/RJ West*

SVI #	OEM #	Description
BL-31001	BDL140	1-3/4" Passenger Car Drum Silencer 5'8"
BL-31002	BDL140-1	Heavy Duty Truck Drum Silencer Band 6'
BL-20169	BDL251	Work Lamp
BL-20023	BDL500-2	Centering Cone 4.5"-5.5" 1-7/8" bore
BL-70000	CL538-1	1" Arbor
BL-20020	CW94	Centering Cone 1.187"-2.25" 1" bore
BL-20003	CW96	5.7" Hubless Adapter 1" bore
BL-20009	W98	Spacer 1/2" Long
BL-40016	W99	Spacer 1"
BL-20172	W100	Spacer 1-1/2"
BL-46002	W101	Spacer 2"
BL-20018	W108	Large Spring for Centering Cones
BL-20000	W110	Centering Cone 3.421"-4.031" 1" Bore
BL-20002	W111	Centering Cone 2.328"-2.968" 1" Bore
BL-20021	W112	Centering Cone 1.703"-2.75" 1" Bore
BL-20019	W113	Centering Cone 1.25"-1.75" 1" Bore
BL-20052	W114	3.625" Hubless Adapter Cup
BL-20053	W115	4.5" Hubless Adapter Cup
BL-40021	W116	Large Solid Rotor Silencer 10-12"
BL-40019	W117	Large Ventilated Disc Rotor Silencer Band 10-12"
BL-20057	W118	Double Taper Adapter 1.322"-1.67" 1" Bore
BL-20039	W119	Double Taper Adapter 2.074"-2.44" 1" Bore
BL-20040	W129	Double Taper Adapter 2.441"-2.897" 1" Bore
BL-31004	W131	Small Solid Rotor Silencer 6-9"
BL-20038	W133	Double Taper Adapter 1.711"-2.073" 1" Bore
BL-20041	W134	Double Taper Adapter 2.828"-3.185" 1" Bore
BL-20042	W135	Double Taper Adapter 3.203"-3.56" 1" Bore
BL-20015	W143	6.5" Alignment Cup
BL-20005	W173	Centering Cone for Any 11/16" Arbor 1" Bore
BL-20006	W174-1	Spacer 1" Long; Use on Any 11/16" Arbor
BL-20035	108950 20107023	Hubless Adapter Kit

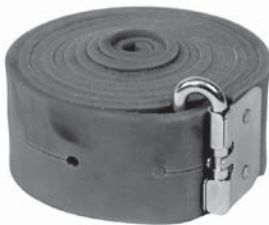


Centering  
Cone



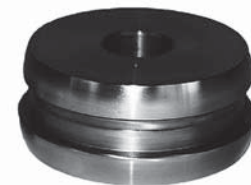
**BL-20042**  
(OEM W135)

## Silencer Band



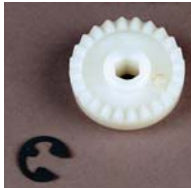
**BL-31001**  
(OEM BDL140)

# SVI is your answer!





**BL-31000**  
Clip-On Silencer



**Shear Gear & C-Clip**  
Order **BL-10051**  
(OEM 7996 / 907996 /  
42038 / 6996)



**Spindle Ring**  
**BL-10071**  
(OEM 23682 / 923682 / 42032)



**Spring**  
**BL-20004**  
(OEM 3110 / 903110 /  
44500 / 433716 /  
8548 / 90155)

## For Performance

SVI #	OEM #	Description
<b>BL-10017</b>	6085	Spindle Protective Boot, use with 6087
<b>BL-10071</b>	6087	Bronze Boot Ring
BL-31007	6783	Replacement Silencer Pads
BL-10355	6800	Electronic Digital Drum Micrometer
BL-10354	6900	Electronic Digital Rotor Micrometer
BL-31004	6921	Small Solid Rotor Silencer Band 6-9"
<b>BL-10051</b>	6996	Shear Gear & C Clip
BL-20029	7634	Centering Cone 5.438" - 6.031" 1-7/8" bore
BL-20034	8448	1-7/8" to 1" Step Down Adapter (set of 3)
BL-20101	8511	Light & Med. Truck Adapter Set (4 pcs.)
BL-20052	8527	3.625" Hubless Adapter Cup
BL-46000	8531	11/16" arbor kit
BL-46001	8542	1" Arbor
BL-40017	8543	1" Arbor Nut
BL-20059	8545	11/16" Arbor Nut
BL-20003	8546	5.7" Hubless Adapter Cup
BL-20003	8547	same as above
<b>BL-20004</b>	8548	Centering Cone Spring
BL-20000	8550	Centering Cone 3.421" - 4.031" 1" bore
BL-20010	8552	Centering Cone 2.65" - 3.224" 1" bore
BL-20021	8554	Centering Cone 1.703" - 2.75" 1" bore
BL-20005	8558	Centering Cone for any 11/16" arbor 1" bore
BL-20006	8560	1" Long Spacer, use on any 11/16" arbor
	8562	1" Long Spacer - same as above, order 2
BL-20009	8564	1/2" long spacer
BL-46002	8566	2" spacer
<b>BL-31000</b>	8572	Clip on Disc Silencer
BL-31001	8574	1-3/4" Drum Silencer 5'8"
BL-31002	8575	Hvy Dty 2-3/4" Truck Drum Silencer Band
BL-31003	8576	Adjustable Ventilated Rotor Silencer Band
BL-40021	8578	Large Solid Rotor Silencer Band 10-12"
BL-20053	8582	4.5" Hubless Adapter Cup
BL-10064	8865	Universal Chip Safety Shield
BL-20035	8950	Hubless Adapter Kit



**Spindle Boot • BL-10017**  
(OEM 3085 / 903085 / 42036)



**Heavy Duty  
Silencer Band**



A family owned  
American enterprise!



## For *Rels*

SVI #	OEM #	Description
BL-31004	11484	Small Solid Rotor Silencer
BL-40021	11485	Large Solid Rotor Silencer
BL-31001	11486	1-3/4" Passenger Car Drum Silencer
BL-31002	11487	Heavy Duty 2-3/4" Truck Drum Silencer Band
BL-31003	11488	Adjustable Ventilated Rotor Silencer Band
BL-31000	11491	Clip-On Disc Silencer
BL-20155	11492	Small Non-Ventilated Solid Rotor Silencer
BL-40017	24074	1" Standard Arbor Nut
BL-60000	24826	1" Standard Arbor
BL-20006	40110	Spacer 1" long; Use with Any 11/16" Arbor
BL-20058	40118	11/16" Arbor Spherical Washer Set
BL-20007	40119	Spacer 1/2" Long; Use on Any 11/16" Arbor
BL-20005	40121	Centering Cone for Any 11/16" Arbor
BL-20020	44000	Centering Cone 1.187"-2.25" 1" Bore
	44001	(same)
BL-20021	44004	Centering Cone 1.703"-2.75" 1" Bore
BL-20002	44006	Centering Cone 2.328"-2.968" 1" Bore
BL-20010	44007	Centering Cone 2.65"-3.224" 1" Bore
BL-20001	44008	Centering Cone 2.89"-3.5" 1" Bore
BL-20000	44010	Centering Cone 3.421"-4.031" 1" Bore
BL-20023	44016	Centering Cone 4.5"-5.5" 1-7/8" Bore
BL-20057	44040	Double Taper Adapter 1.322"-1.67" 1" Bore
BL-20082	44042	Double Taper Adapter 1.362"-1.71" 1" Bore
BL-20038	44044	Double Taper Adapter 1.711"-2.073" 1" Bore
BL-20039	44046	Double Taper Adapter 2.074"-2.44" 1" Bore
BL-20040	44048	Double Taper Adapter 2.441"-2.897" 1" Bore
BL-20041	44054	Double Taper Adapter 2.828"-3.185" 1" Bore
BL-20042	44056	Double Taper Adapter 3.203"-3.56" 1" Bore
BL-40016	44100	Spacer 1"
BL-46002	44102	Spacer 2"

## Collets, Cones and Adapters



SVI #	OEM #	Description
BL-20161	44130	1-7/8" to 1" Step Down Adapter
BL-20052	44138	3.625" Hubless Adapter Cup 1" bore
BL-20053	44140	4.25" Hubless Adapter Bell Clamp 1" bore
BL-20008	44142	5.7" Hubless Adapter 1" bore
BL-20015	44144	6.5" Alignment Cup 1" bore
BL-20016	44146	7.75" Alignment Cup 1" bore
BL-40006	44180	Drive Dog Tool Assy.
BL-20166	44301	Hubless Locator
BL-20167	44303	Hubless Cone
BL-20154	44340	Jeep Cherokee/Eagle Premier Double-Sided Plate
BL-20154	44342	Jeep Cherokee/Eagle Premier Double-Sided Plate
BL-20154	44343	Jeep Cherokee/Eagle Premier Double-Sided Plate
BL-20175	44344	Double-Sided Plate for Chrysler, Ford & GM
BL-20175	44345	Double-Sided Plate for Chrysler, Ford & GM
BL-20175	44346	Double-Sided Plate for Chrysler, Ford & GM
BL-20174	44348	Backing Plate for Passenger Cars
BL-20177	44350	Adapter Plate for Chevy 1500 series & Lt. Trucks
BL-20176	44352	Backing Plate for Chevy 1599 series & Lt. Trucks
BL-20018	45500	Large Spring for Centering Cone
BL-20084	44710	Economy Light Truck 5 pc. Adapter Set
BL-20045	44780	Double Taper Adapter Passeng. Car/Lt. Truck Set
BL-20087	44782	Double Taper Adapter Truck Set
BL-20034	47130	1-7/8" to 1" Step Down Adapter (set of 3)
BL-20035	47300	Hubless Rotor Adapter (5 pcs)
BL-20036	47325	Composite Rotor Clamping Plate
BL-20037	47327	Composite Rotor Clamping Plate for GM 100 & Lt. Trucks
BL-20036	47330	Composite Rotor Clamping Plate
BL-40020	73622	Disc/Rotor Mechanical Micrometer
BL-40026	73645	Drum Wear Limit Gauge for Passenger Cars (6"-14.25")
BL-40025	73656	Drum Wear Limit Gauge for Pass. Cars - Trucks (6"-22")
BL-10049	40079	Work Light / Lamp



**Work Light**  
**BL-10049**  
(OEM 907963 / 40079)



Clamping Plates





## For *Van Norman*

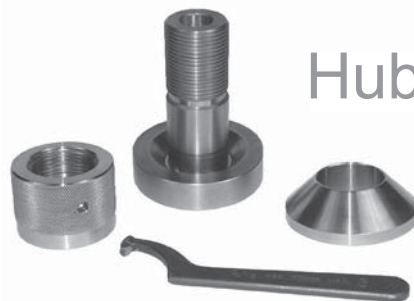


Alignment Cups

Bell Clamps



SVI #	OEM #	Description
BL-31003	111485	Adjustable Ventilated Rotor Silencer Band
BL-31001	111486	1-3/4" Drum Silencer for Automotive Drums
BL-20164	125110	Hubless Spanner Wrench
BL-20165	201022	Hubless Locking Nut
BL-20035	201023	Hubless Adapter Kit
BL-60000	204042	1" Arbor
BL-40017	204074	Standard 1" Arbor Nut
BL-46002	204209	Spacer 2"
BL-40016	204210	Spacer 1"
BL-60001	204240	Washer for BL-60000 arbor
BL-20016	205300	7.75" Alignment Cup
BL-20015	205301	6.5" Alignment Cup
BL-20008	300108	5.7" Hubless Adapter
BL-20166	415177	Hubless Locator
BL-20167	415185	Hubless Cone
BL-20168	415186	Hubless Spacer
BL-20018	780300	Large Spring for Centering Cone
BL-20173	803027	Work Lamp
BL-20174	863185	Backing Plate for Passenger Cars
BL-20175	863186	Double-Sided Plate for Chrysler, Ford & GM
BL-20175	863187	Double-Sided Plate for Chrysler, Ford & GM
BL-20176	863188	Backing Plate for GM Chevy 1500 series & Lt. Trucks
BL-20177	863189	Adapter Plate for GM 1500 series & Lt. Trucks
BL-40015	864366	4.25" Hubless Adapter Bell Clamp
BL-20154	865698	Jeep Cherokee/Eagle Premier Double-Sided Plate
BL-20154	865712	Jeep Cherokee/Eagle Premier Double-Sided Plate
BL-20045	865822	Double Taper Adapter set (5 pcs.) 1" Bore
BL-20057	865823	Double Taper Adapter 1.322"-1.67" 1" Bore
BL-20082	865824	Double Taper Adapter 1.362"-1.710" 1" Bore
BL-20038	865825	Double Taper Adapter 1.711"-2.073" 1" Bore
BL-20039	865826	Double Taper Adapter 2.074"-2.44" 1" Bore
BL-20040	865827	Double Taper Adapter 2.441"-2.897" 1" Bore
BL-20020	866445	Centering Cone 1.187"-2.25" 1" Bore
BL-20021	866446	Centering Cone 1.703"-2.75" 1" Bore

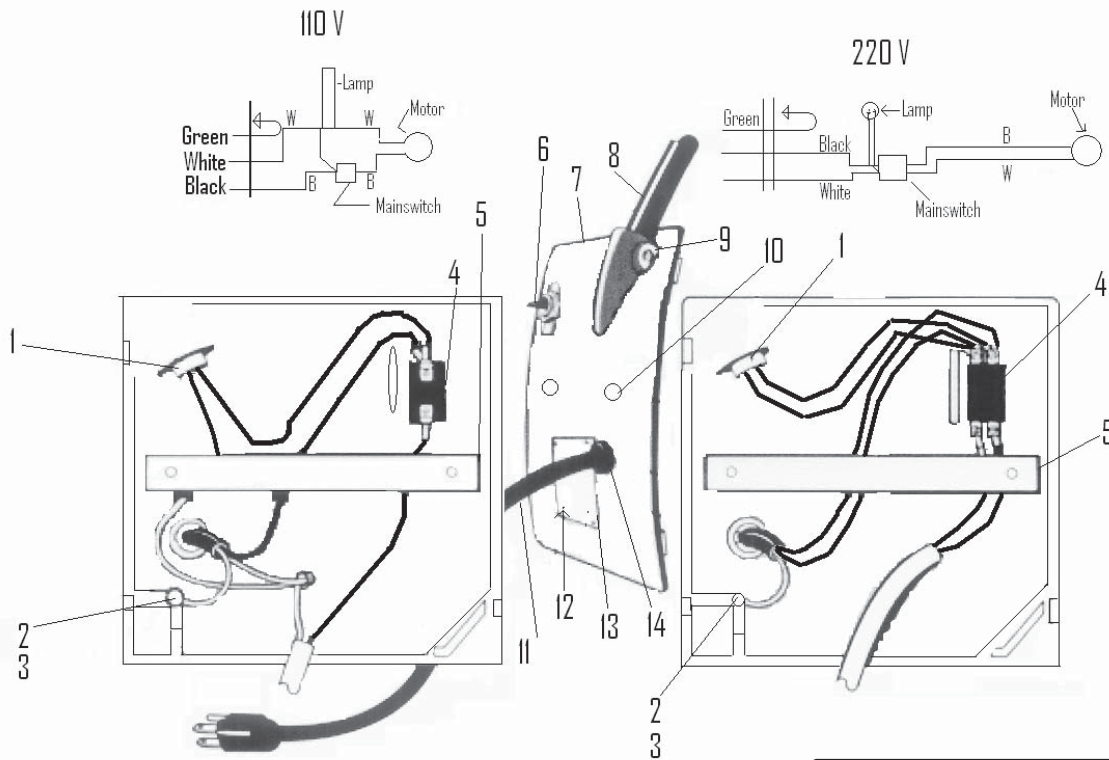


## Hubless Adapter Kit

BL-20035



## Electrical Panel Assembly

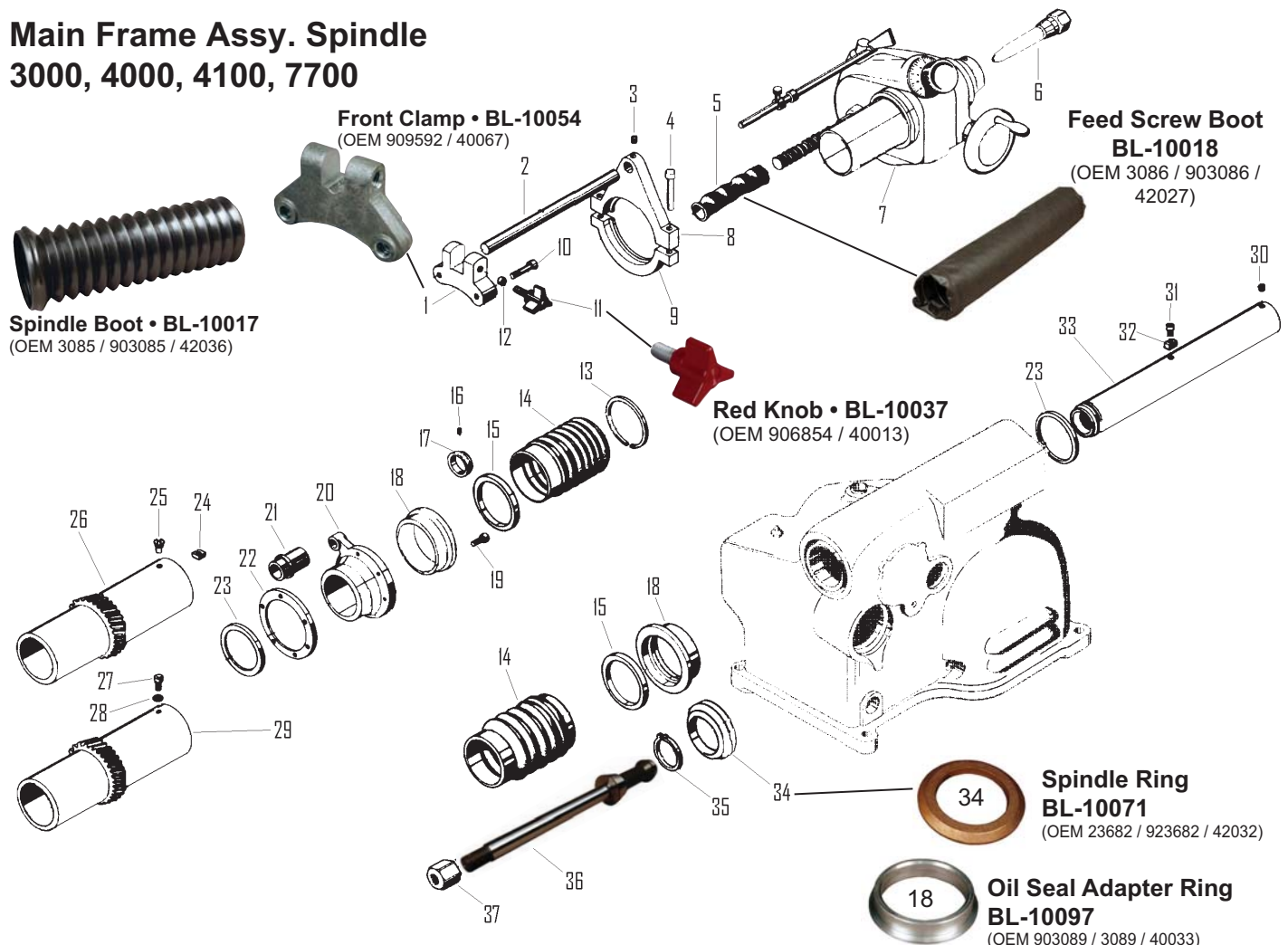


Item	SVI Part #	OEM #	Req	Description
1	BL-10366	902889	1	Insulation Bushing
2	BL-10179	921972	1	Self tapping screw
3	BL-10080	901926	1	Lock Washer
4	BL-10040	906893	1	110 V Switch
	BL-10367	921464	1	220 V Switch
5	BL-10093	903079	1	Clamp Strap
6	BL-10003	901185 / 42043	1	Switch, Plate
7	BL-10185	910348	1	Electrical Panel
8	<b>BL-10049</b>	<b>907963 / 40079</b>	<b>1</b>	<b>Lamp / Work Light</b>
	BL-10069	922763 / 42014 / 622763		Replacement Lamp Switch & Sprocket
	BL-10070	922764 / 42015 / 622764		Replacement Dust Boot for Lamp
9	BL-10000	900220 / 40009	1	Set Screw
10	BL-10102	903183	2	Round Head Machine Screw
11	<b>BL-10043</b>	<b>902709 / 40077</b>	<b>1</b>	<b>110 V Cord Set</b>
	BL-10368	907210	1	220 V Cord Set
12	BL-10077	900306 / 40086	4	Drive Screw
13	BL-10178	920463	1	Electrical Caution Plate
14	BL-10128	906058	1	110 V Cord Grip
	BL-10369	906077	1	220 V Cord Grip



**Work Lamp • BL-10049**  
(OEM 907963 / 40079)

**Main Frame Assy. Spindle  
3000, 4000, 4100, 7700**

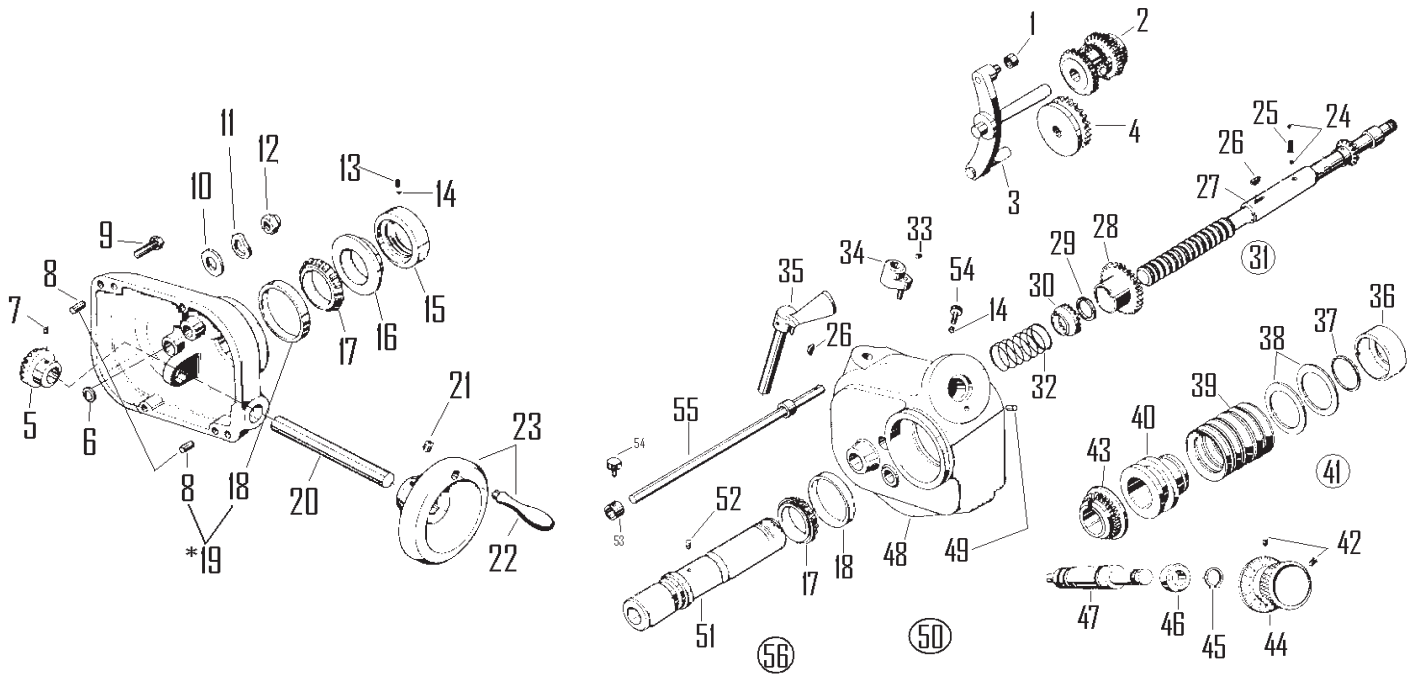


Item	SVI Part #	OEM #	Req	Description
1	BL-10054	909592 / 40067	1	Front Clamp
2	BL-10159	909645 / 40071	1	Lock Rod 4000
	BL-10196	909593	1	Lock Rod 4100
3	BL-10074	900213 / 40072	1	Set Screw
4	BL-10132	906825 / 42056	2	Socket Head Capscrew
5	BL-10018	903086 / 903086 / 42027	1	Boot & Spring 3000 / 4000
	BL-10370	907703	1	Boot & Spring 4100 / 7000
6	BL-10145	907005 / 40091	1	Drawbar & Nut Assy. 3000 / 4000
	BL-10197	907716	1	Drawbar & Nut Assy. 4100 / 7700
7	BL-10198	903037B	1	Feed Mechanism 3000 / 4000
	BL-10199	907702	1	Feed Mechanism 4100 / 7700
8-9	BL-11850	909999 / 909998 / 941391	1	Rear Upper and Lower Clamp Kit
10	BL-10029	903319 / 40070	2	Socket Head Cap Screw 4000/4100
11	BL-10037	906854 / 40013	1	Red Knob
12	BL-10022	903142 / 40012	1	Brass Plug
13	BL-10032	904435 / 42006	1	Wire Boot Ring 3000 / 7700
	BL-10123	903595 / 42003	1	Boot Spring 4000 / 4100
14	BL-10017	903085 / 42036	2	Boot
15	BL-10026	903164 / 42057	1	Oil Seal
16	BL-10030	903338 / 42018	1	Socket Head Cap Screw
17	BL-10195	904671	1	Take Up Nut

Item	SVI #	OEM #	Req	Description
18	BL-10097	903089 / 40033	2	Oil Seal Adapter Ring
19	BL-10073	900209 / 40025	6	Sckt Hd Scap Screw 3000 / 7700
20	BL-10147	907344R	1	Rear Flange Assy 3000 / 4000
	BL-10193	907729R	1	Rear Flange Assy 4100 / 7700
21	BL-10033	904670 / 42016	1	Lead Screw Nut 4000 / 7000
	BL-10371	907712	1	Lead Screw Nut 4100 / 7700
22	BL-10087	903032 / 40111		Shim (Qty as required)
23	BL-10088	903033 / 40030	2	Thrust Washer
24	BL-10191	910737	1	Keyway Block 4100 / 7700
25	BL-10190	906868	1	Flat Hd Screw 4100 / 7700
26	BL-10189	910216	1	Drive Quill 4100 / 7700
27	BL-10004	901602 / 40032	1	Hex Head Capscrew 3000 / 4000
28	BL-10001	900283 / 40056	1	Lock Washer 3000 / 4000
29	BL-10160	909830 / 42060	1	Drive Quill 3000 / 4000
30	BL-10117	903224 / 40029	1	Cuppoint Set Screw
31	BL-10130	906486 / 40028	1	Socket Head Capscrew
32	BL-10161	909831 / 40027	1	Drive Key
33	BL-10101	903153 / 40026	1	Body Spindle 3000 / 4000
	BL-10188	907714	1	Body Spindle 4100 / 7700
34	BL-10071	923682 / 42032	1	Adapter Ring
35	BL-10023	903159 / 40041	1	Retaining Ring
36	BL-10020	903101 / 42021	1	Arbor (1")
37	BL-10021	903102 / 40081	1	Arbor Nut



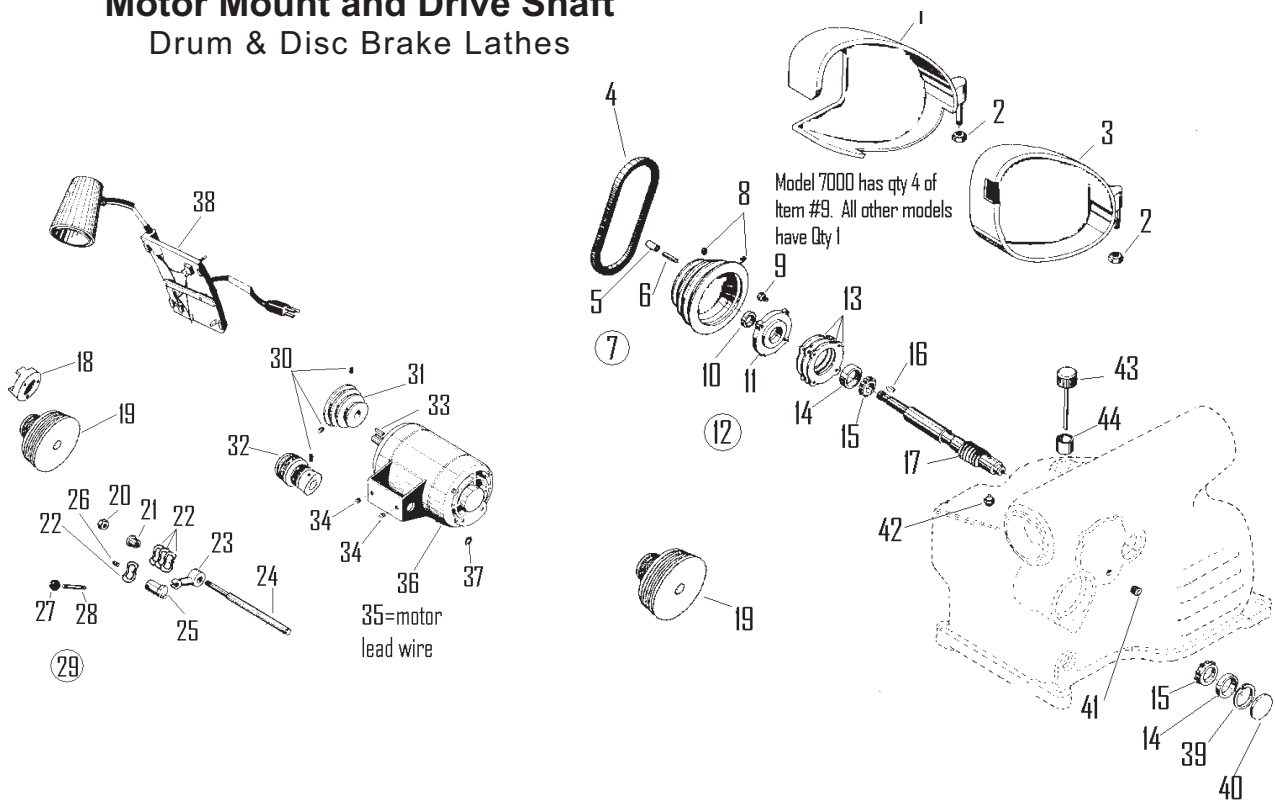
### Variable Drum Feed Gearbox Assembly 3037-B



Item	SVI Part#	OEM #	Req	Description
1	BL-10220	903036	1	Roller
2	BL-10221	907338	1	Pinion Bushing Assy.
3	BL-10219	907343	1	Feed Control Lever & Assy.
4	BL-10094	903081 / 42703	1	Driven Friction Disc & Bearing Assy.
5	BL-10223	903069	1	Miter Gear
6	BL-10230	904641	1	Bone Fiber Washer
7	BL-10222	903098	1	Dog Point Set Screw
8	BL-10229	903038	2	Dowel Pin
9	BL-10224	903094	4	Socket Head Capscrew
10	BL-10118	903324 / 40140	4	Washer
11	BL-10225	906155	1	Wave Washer
12	BL-10103	903184 / 40134	1	Stop Nut
13	BL-10074	900213 / 40072	1	Allen Set Screw
14	BL-10100	903141 / 42096	2	Brass Plug
15	BL-10226	909443	1	Bearing Lock Nut
16	BL-10227	909444	1	Spherical Washer
17	BL-10209	903391	1	Taper Roller Bearing
18	BL-10208	903392	1	Bearing Cup (See Item #50)
19	BL-10228	909498	1	Gear Case Cover Assy. # 8 & # 18
20	BL-10231	903054	1	Shaft
21	BL-10000	900220 / 40009	1	Set Screw
22	<b>BL-10012</b>	<b>903026 / 42022</b>	1	<b>Crank Handle</b>
23	BL-10098	903090 / 42054	1	Handwheel Assembly
24	BL-10234	900311	2	Steel Ball
25	BL-10235	903060	1	Clutch Spring
26	BL-10217	904449	2	Hy-Pro Key
27	BL-10166	909918 / 42708	1	Lead Screw/Miter Gr Assy. 3000/4000
28	BL-10236	903047	1	Sliding Clutch Gear
29	BL-10237	906163	1	Retaining Ring

Item	SVI Part #	OEM #	Req	Description
30	BL-10238	907264	1	Clutch Jaw
31	BL-10232	908235	1	Lead Screw & Clutch assy. 3000 / 4000
	BL-10233	908237	1	Lead Screw & Clutch assy. 4100 / 7500 / 7700
32	BL-10239	907263	1	Coil Spring
33	BL-10216	900212	1	Allen Set Screw
34	BL-10215	903058	1	Clutch Shifter Assy.
35	BL-10218	903042	1	Clutch Handle & Shaft Assy.
36	BL-10240	903061	1	Spring Loading Cup
37	BL-10242	903093	1	Retaining Ring
38	BL-10243	903064	2	Washer
39	BL-10244	903062	10	Belville Spring
40	BL-10092	903078 / 42082	1	Sliding Friction Disc
41	BL-10241	903082	1	Friction Disc Assy.
42	BL-10200	911241	2	Allen Set Screw
43	BL-10091	903077 / 42081	1	Fixed Friction Clutch
44	BL-10201	903043	1	Feed Dial Assy
45	BL-10202	903097	1	Retaining Ring
46	BL-10203	909930	1	Thrust Bearing
47	<b>BL-10204</b>	<b>903066</b>	1	<b>Feed Adjusting Screw</b>
48	BL-10207	903663	1	Gear Case (See Item #50)
49	BL-10206	903132	1	Groove Pin
50	<b>BL-10205</b>	<b>903715</b>	1	<b>Gear Case Assy. Incl. #18, #48, #49</b>
51	BL-10210	903154	1	Spindle Extension
52	BL-10211	903092	1	Groove Pin
53	BL-10214	903039	1	Stop Collar
54	BL-10016	903084 / 42024	2	Knurled Screw
55	BL-10212	903040	1	Shut Off Assy. 3000/4000
	BL-10213	907717	1	Shut Off Assy. 4100/7500/ 7700
56	BL-10146	907007 / 40120	1	Spindle Ext Assy. Incl. #51, #52, #17

**Motor Mount and Drive Shaft  
Drum & Disc Brake Lathes**



Item	SVI Part #	OEM #	Req	Description
1	BL-10153	907788 / 40065	1	Belt Guard 4000 / 4100 / 7500
2	BL-10177	911273 / 40066	1	Self Locking Nut
3	BL-10254	903005	1	Belt Guard 3000 / 7000 / 7700
4	BL-10024	903161 / 42031	1	V-Belt 3000 / 4000 / 7000
	BL-10252	910241	1	V-Belt 4100 / 7700
	BL-10182	940141 / 40073	1	Poly V-Belt
5	BL-10251	925588	1	Rubber Tube 4000 / 4100
6	BL-10250	924239	1	Groove Pin 4000 / 4100
7	BL-10152	907784-1 / 42029	1	Pulley w/ Pin and Tube (#5 & 6)
8	BL-10000	900220 / 40009	1	Set Screw
9	BL-10075	900236 / 40038	1	Hex Head Capscrew
	BL-10075	900236 / 40038	4	HHCS- Need 4 for Model 7000
10	BL-10025	903163 / 40039	1	Oil Seal
11	BL-10084	903010 / 40036	1	Bearing Seal Cap
12	BL-10249	903186	1	Cap and Seal Assy (# 10 & 11)
13	BL-10112	903169 / 40037	*	Shim .005"
	BL-10113	903170 / 40037A	*	Shim .007"
	BL-10114	903171 / 40037B	*	Shim .020"
14	BL-10122	903394 / 40035A	2	Bearing Cup
15	BL-10121	903393 / 40035	2	Bearing, Cone
16	BL-10072	924446 / 40069	1	Woodruff Key
	BL-10372	940139	1	Square Key
17	BL-10164	9847-C	1	Shaft, Worm w/Woodruff keyway
	BL-10373	940140	1	Shaft, Worm w/ Square keyway
18	BL-10758	9818-1	1	Cap
19	BL-10184	940146-2	1	Pulley (pin & tube not included)
20	F-HN-0500-20	903377 / 40051	1	Hex Nut

Item	SVI Part #	OEM #	Req	Description
21	BL-10110	903223 / 40049	1	Bushing for Motor Mount Shaft
22	BL-10007	902364 / 40050		Wave Washer - Qty. as needed
23	BL-10085	903015 / 40058	1	Belt Tension Lever
24	BL-10086	903023 / 40047	1	Shaft, Motor Mount
25	BL-10090	903035 / 40059	1	Pin, Eccentric Belt Release
26	BL-10116	903180 / 40060	1	Socket Head Screw
27	BL-10002	900320 / 40062	1	Ball Knob
28	BL-10096	903088 / 40061	1	Belt Release Handle
29	BL-10248	907348	1	Lever Belt Assy (# 27 & 28)
30	BL-10000	900220 / 40009	4	Set Screw 3000,4000,7000,7500
	BL-10374	900217	2	Set Screw 4100/7700
31	BL-10011	903024 / 42030	1	Drive Pulley 3000/4000 **
	BL-10247	903639	1	Drive Pulley 4100/7700 **
	BL-10375	910305	1	Drive Pulley 7000
32	BL-10183	940142 / 40021	1	Drive Pulley Poly V-Belt
33	BL-10376	925454	1	Square Key
34	BL-10134	906864 / 40057	2	Screw Set
35	BL-10246	903244	1	Motor Lead Wire
36	BL-10006	902165 / 40052	1	Motor/Bracket Assy
37	BL-10131	906766 / 40048	1	O-Ring
38	BL-10255	910352	1	Electrical Panel Assy
39	BL-10115	903172 / 40045	1	Retaining Ring
40	BL-10111	903166 / 40042	1	Welch Plug
41	BL-10119	903372 / 40046	1	Allen Pipe Plug
42	BL-10068	922006 / 40043	1	Grease Fitting
43	BL-10253	903148	1	Dipstick
44	BL-10108	903215 / 42055	1	Oil Filler Sleeve

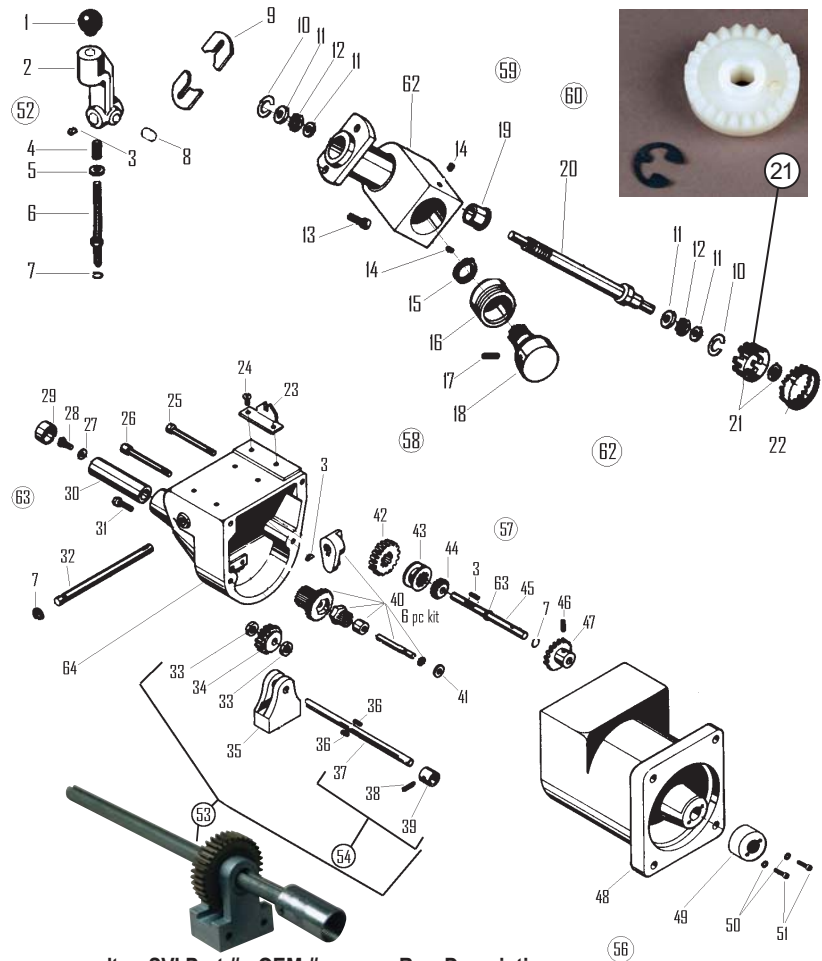
\*\*\*For Models mfg prior to 1996. After 1996, they use #940142 / BL-10184





## Disc Brake Feed Mechanism 7751-B

Item	SVI Part #	OEM #	Req	Description
1	BL-10002	900320 / 40062	1	Ball Knob
2	BL-10045	907744 / 42011	1	Body, Shifter Handle
3	BL-10028	903176 / 40020	5	Woodruff Key
4	BL-10301	907699	1	Spring
5	BL-10300	906451	1	Washer
6	BL-10299	907746	1	Shifter Handle Pin
7	BL-10281	905613	2	Retaining Ring
8	BL-10000	900220 / 40009	1	Set Screw
9	BL-10318	907908	2	Shim .005"
	BL-10319	907903	2	Shim .010"
	BL-10320	907904	2	Shim .020"
	BL-10321	907905	2	Shim .030"
10	BL-10378	905639	1	"C" Clip
11	BL-10306	906872	2	Travel Washer
12	BL-10307	906871	1	Bearing Thrust Needle
13	BL-10290	903221	4	Socket Head Set Screw
14	BL-10311	906834	2	Cone Point Set Screw
15	BL-10314	903174	1	Retaining Ring
16	BL-10315	909825	1	Spacer and Bushing Assy
17	BL-10317	904096	1	Roll Pin
18	BL-10316	909822	1	Coupling and Gear Assy
19	BL-10309	906749	1	Oilite Bushing
20	BL-10379	907997	1	Worm Drive Assy (See Kit)
	BL-10310	907992		Worm Drive Assy KIT
21	<b>BL-10051</b>	<b>907996 / 42038</b>	<b>1</b>	<b>Shear Gear and Ring Assy</b>
22	BL-10312	906446	1	Dot Plug
23	BL-10046	907747 / 42012	1	Plate Index
24	BL-10297	904508	2	Rnd. Hd. Machine Screw
25	BL-10296	906391	2	Hex Head Machine Screw
26	BL-10295	906392	1	Hex Head Machine Screw
27	BL-10292	904789	1	Washer
28	BL-10293	906254	1	Socket Head Capscrew
29	BL-10294	906974	1	Tube Cap
30	BL-10289	907783	1	Tube
31	BL-10290	903221	2	Socket Head Capscrew
32	BL-10287	907748	1	Shaft, Shift
33	BL-10275	906973	2	Thrust Washer
34	BL-10276	907778	1	Drive Gear
				<i>(Order Kit BL-10382 Rod &amp; Coupling Assembly)</i>
35	BL-10151	907775 / 42092	1	Trap
36	BL-10274	906937	2	Dowel Pin
37	BL-10150	907774 / 42005	1	Drive Rod
38	BL-10380	940403	1	Roll Pin
39	BL-10381	940717	1	Coupler
40	<b>BL-10322</b>	<b>924516</b>	<b>1</b>	<b>Shifter &amp; Gear Assy</b>
41	BL-10277	906350	1	Bone Shim Washer
42	<b>BL-10286</b>	<b>909812</b>	<b>1</b>	<b>Coarse Feed Gear</b>
43	BL-10285	909813	1	Clutch
44	<b>BL-10284</b>	<b>909816</b>	<b>1</b>	<b>Fine Feed Gear</b>
45	BL-10283	906138	1	Retaining Ring
46	BL-10280	904006	1	Roll Pin
47	BL-10279	907994	1	Helix Gear



Item	SVI Part #	OEM #	Req	Description
48	BL-10265	907790	1	Gear Case
49	Order kit BL-10324 or BL-10262			
--	<b>BL-10324</b>	<b>928529</b>	<b>1</b>	<b>Lead Screw Nut Kit (49, 51)</b>
--	BL-10262	910870	1	Gear Case Assembly
50	BL-10263	903910	2	Lock Washer
51	BL-10323	928367	2	Cap Screw
52	BL-10298	907742	1	Handle Assy (#1,2,4,5,6,7)
53	<b>BL-10382</b>	<b>940718</b>	<b>1</b>	<b>Rod &amp; Coupling Assy (#33-39)</b>
54	<b>BL-10383</b>	<b>940719</b>	<b>1</b>	<b>Univ. Coupling Assy (#37-39)</b>
56	BL-10262	910870	1	Gear Case Assy (48-51)
57	<b>BL-10278</b>	<b>909814</b>	<b>1</b>	<b>Shifter Shaft Assy (42-47,3,63,7)</b>
58	<b>BL-10313</b>	<b>909821</b>	<b>1</b>	<b>Coupling Assy (15-18)</b>
59	BL-10303	924241	1	Worm Drive Assy (10-12, 19-20, 62)
60	BL-10384	940401	1	Worm Shaft Repair Kit (10-12, 19-20, 62)
61	BL-10302	909815	1	Driven Assy Right Angle Drive (# 55 & # 65)
62	BL-10308	907998 / 924241	1	Drive Housing
63	BL-10282	907764	1	Shaft Clutch (#30 plus cover)
64	BL-10288	907902	1	Gear Case Cover & Tube Assy



**40** **BL-10322**  
**Shifter & Gear Assy.**



**58** **BL-10313**  
**Coupling Assembly**



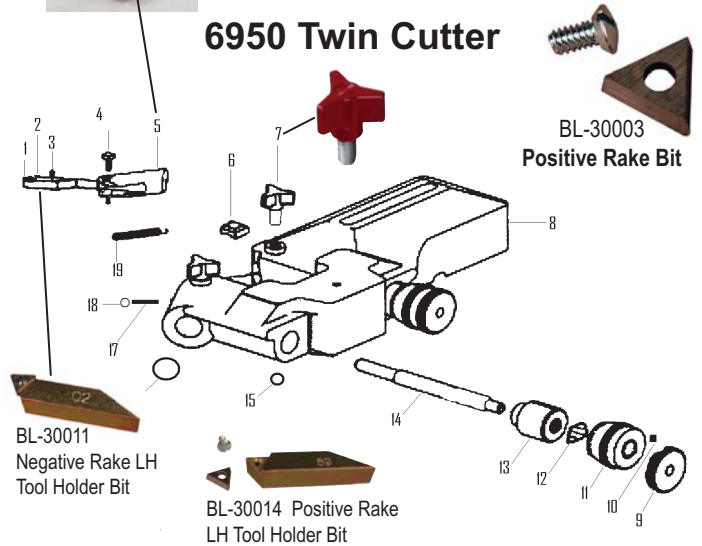
**49** **BL-10324**  
**Lead Screw Nut Kit**

Item	SVI Part #	OEM #	Req	Description
1	BL-30003	906918 / (-10)	2	Positive Rake Carbide Bit
	BL-30003-10	45017 / (-10)		Positive Rake Carbide Bit 10-Pack
	BL-30002-10	906914-10	2	Negative Rake Carbide Bit 10-Pack
		45001-10		
2	BL-30001	906499 / 45019		Screw (Sold as a 10 pk.)
3	BL-30015	925968 / 45012	1	Positive Rake RH Tool Holder Bit
	BL-30014	925969 / 45013	1	Positive Rake LH Tool Holder Bit
	BL-30010	910701 / 45005	1	Negative Rake RH Tool Holder Bit
	BL-30011	910702 / 45006	1	Negative Rake LH Tool Holder Bit
4	BL-10052	909249 / 40185	2	Square Head Set Screw
5	<b>BL-30013</b>	<b>910650 / 45004</b>	1	<b>Left Hand Tool Holder</b>
	<b>BL-30012</b>	<b>910651 / 45003</b>	1	<b>Right Hand Tool Holder</b>
6	BL-10180	928584 / 40141	2	Spacer for Twin Cutter
7	<b>BL-10037</b>	<b>906854 / 40013</b>	1	<b>Red Knob</b>
8	BL-10377	928572	1	Twin Cutter Housing
9	BL-10141	906923 / 40115	2	Dial Rod Knob
10	BL-10030	903338 / 42018	2	Set Screw
11	BL-10138	906907 / 40113	2	Micrometer Dial
12	BL-10142	906929 / 40112	2	Spring Washer
	BL-10142-10			Spring Washers (10-Pack)
13	BL-10137	906906 / 40104	2	Dial Plug
14	BL-10139	906908 / 40105	2	Dial Rod
15	BL-10129	906109 / 40125	2	Set Screw 3/16-16
16	BL-10144	906977 / 40127	2	Dot Plug
17	BL-10031	903528 / 40129	2	Hex Nut
18	BL-10165	909879 / 40128	2	Locating Screw
19	BL-10136	906905 / 40142	1	Spring
20	BL-10041	906901 / 40103	1	Dial Assembly

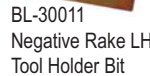


BL-30002-10  
**Negative Rake Bit**  
(10-Pack)

**6950 Twin Cutter**



BL-30003  
**Positive Rake Bit**



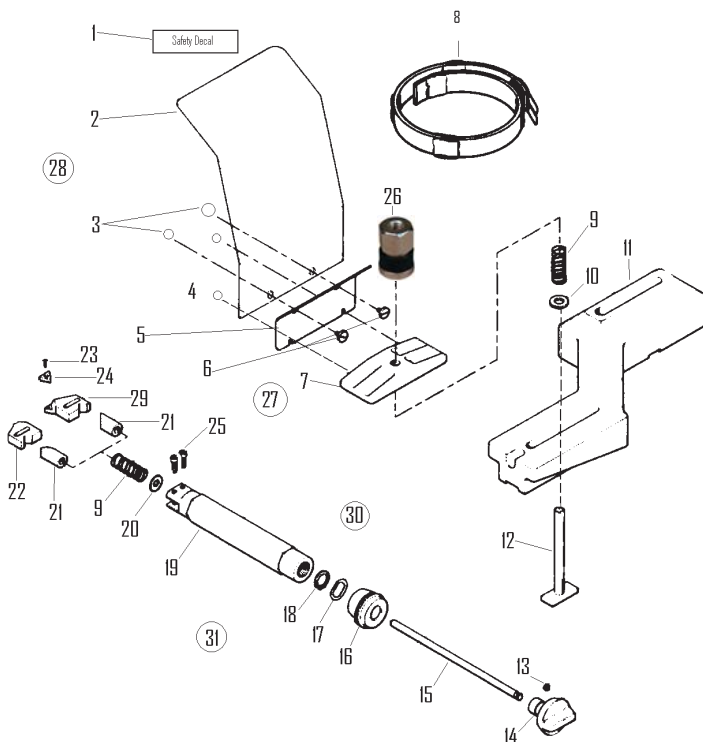
BL-30011  
Negative Rake LH  
Tool Holder Bit

BL-30014 Positive Rake  
LH Tool Holder Bit



**HD Silencer Band Assy.**  
BL-10349

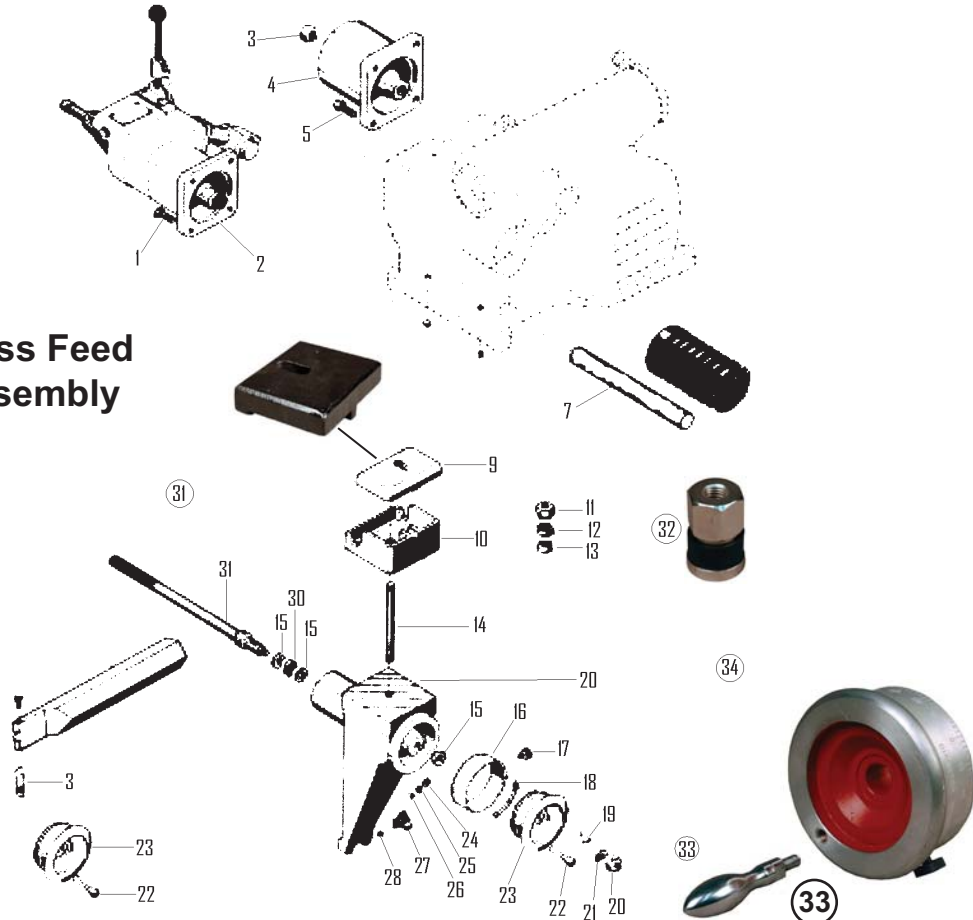
**7900 Twin Cutter**



Item	SVI Part #	OEM #	Req	Description
1	BL-10335	926016	1	Safety Decal
2	<b>BL-10064</b>	<b>911154 / 42001A</b>	1	<b>Shield</b>
3	BL-10174	911166 / 40155	2	Nut Insert
4	BL-10297	904508	2	Pan Head Machine Screw
5	BL-10334	926014	1	Bracket
6	BL-10172	911150	2	Retainer Screw
7	BL-10331	925985	1	Clamp
8	<b>BL-10349</b>	<b>906930</b>	1	<b>HD Silencer Band Assy</b>
9	BL-10329	925756	3	Compression Spring
10	BL-10107	903214 / 42058	1	Flat Washer
11	BL-10326	925982	1	Tool Bar Support
12	BL-10328	923556	1	T Bolt
13	BL-10030	903338 / 42018	1	Cup Point Set Screw
14	BL-10345	925751	1	Depth Dial
15	BL-10344	925983	1	Dial Rod
16	BL-10343	925752	1	Micrometer Dial
17	BL-10342	925758	1	Wave Washer
18	BL-10341	925759	1	External Retaining Ring
19	BL-10340	925984	1	Boring Bar
20	BL-10338	924922	1	Flat Washer
21	BL-10337	925754	1	Sleeve
22	BL-10348	925761	1	Holder
23	BL-30001	906499 / 45019	1	Oval Head Machine Screw
24	<b>BL-30002-10</b>	<b>906914-10 / 45001-10</b>		<b>Carbide Bit (Sold as a 10-pack)</b>
25	BL-10339	925757	1	Shoulder Screw
26	<b>BL-10066</b>	<b>911227 / 40143</b>	1	<b>Nut/Washer Self-Align Assy</b>
27	BL-10330	926018	1	Clamp Assy (# 4 & #7)
28	BL-10333	926015	1	Shield Assy (# 1, 2, 3, 5, 6)
29	BL-10336	925762	1	Holder
30	BL-10347	925980	1	Tool Bar, RH Assy (13-21, 23-25, 29, 9)
31	BL-10346	925981	1	Tool Bar, LH Assy (13-23, 29, 9)



## Cross Feed Assembly



Item	SVI Part #	OEM #	Req	Description
1	BL-10076	900237 / 40001	4	Cap Screw
2	BL-10149	907751B	1	Gearbox Assy
3	BL-10076	900237 / 40001	1	Nut 3000 / 7700
4	BL-10260	903007	1	Lead Capscrew 3000 / 7700
5	BL-10259	901127	4	Capscrew 3000 / 7700
7	BL-10170	910346 / 40063	1	Guide Bar
9	BL-10009	903017 / 40004	1	Clamp, Boring Bar Upper (not for 7500)
10	BL-10067	920666 / 40005	1	Clamp, Boring Bar Lower (not for 7500)
11	BL-10175	911221 / 40099	1	Locking Nut
12	BL-10065	911225 / 40008	1	Retainer
13	BL-10176	911224 / 40007	1	Washer
14	BL-10014	903031 / 42007	1	Stud, Boring Bar
15	BL-10039	906874 / 40110	1	Race / Friction Washer
16	BL-10158	909634 / 40116	1	Dial
17	BL-10035	906839 / 40018	1	Set Screw
18	BL-10155	909611 / 40017	1	Dial Spring
22	BL-10012	903026 / 42022	1	Handwheel Crank
23	BL-10157	909633 / 40014	1	Handwheel
24	BL-10000	900220 / 40009	1	Set Screw
25	BL-10005	902064 / 40010	1	Spring
	BL-10005-30	90206430 / 40010-30		Spring (30-Pack)
26	BL-10055	909836 / 40011	1	Plug
30	BL-10038	906873 / 42023	1	Needle Thrust Bearing
31	BL-10106	903211-1 / 40003	1	Lead Screw Assy
32	<b>BL-10066</b>	<b>911227 / 40143</b>	<b>1</b>	<b>Hex Nut/Washer, Self Align Assy</b>
33	BL-10156	909626 / 40014A	1	Crossfeed Handwheel Assy
34	BL-10256	907345	1	Crossfeed Assy
35	BL-30009	909872 / 45007	1	Std. Negative Rake Drum Tool Holder

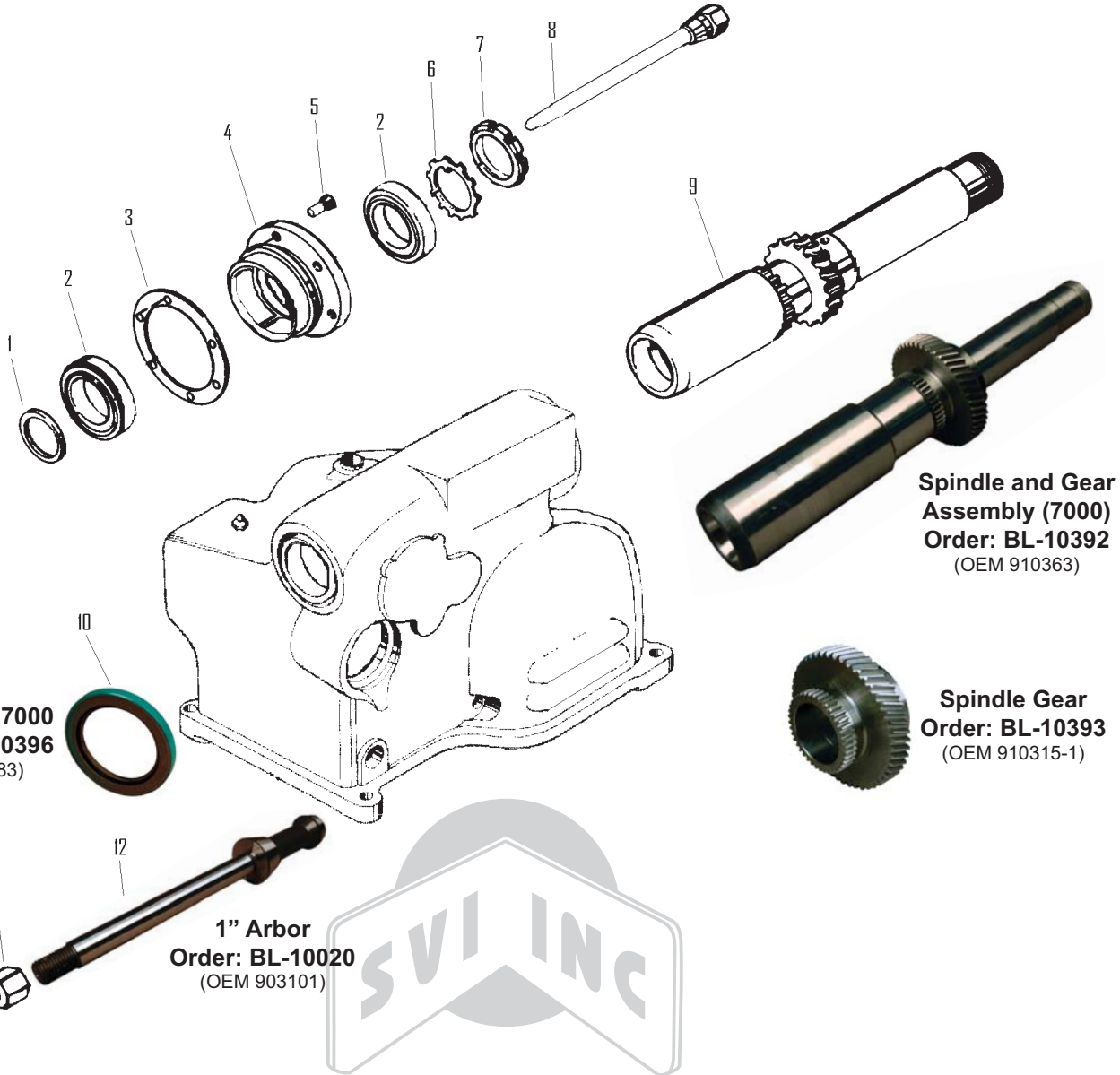
**Crossfeed Handwheel Assembly**  
**BL-10156**  
(OEM 909626 / 40014A)

**Std. Negative Rake Drum Tool Holder**  
**BL-30009**  
(OEM 909872 / 45007)

SVI  
is your  
answer!

**7000/7500 Spindle**

Item	SVI Part #	OEM #	Req	Description
1	BL-10385	910303	1	Spacer
2	BL-10386	906979	2	Bearing
3	BL-10087	903032 / 40111	1	Shim
4	BL-10387	910316	1	Rear Flange
5	BL-10073	900209 / 40025	6	Screw
6	BL-10388	906981	1	Lock Washer
7	BL-10389	906980	1	Lock Nut
8	BL-10390	910364	1	Drawbar
9	BL-10391	940021	1	Spindle and Gear Assy 7500
	<b>BL-10392</b>	<b>910363</b>	<b>1</b>	<b>Spindle and Gear Assy 7000</b>
	<b>BL-10393</b>	<b>910315-1</b>	<b>1</b>	<b>Spindle Gear (gear only)</b>
	F-RP-0250-1000	903177	1	Roll Pin
10	BL-10395	940720	1	Oil Seal for 7500
	<b>BL-10396</b>	<b>906983</b>	<b>1</b>	<b>Oil Seal for 7000</b>
11	BL-10021	903102 / 40081	1	Arbor Nut
12	BL-10020	903101 / 42021	1	Arbor (1")



**Spindle and Gear Assembly (7000)**  
Order: **BL-10392**  
(OEM 910363)

**Spindle Gear**  
Order: **BL-10393**  
(OEM 910315-1)

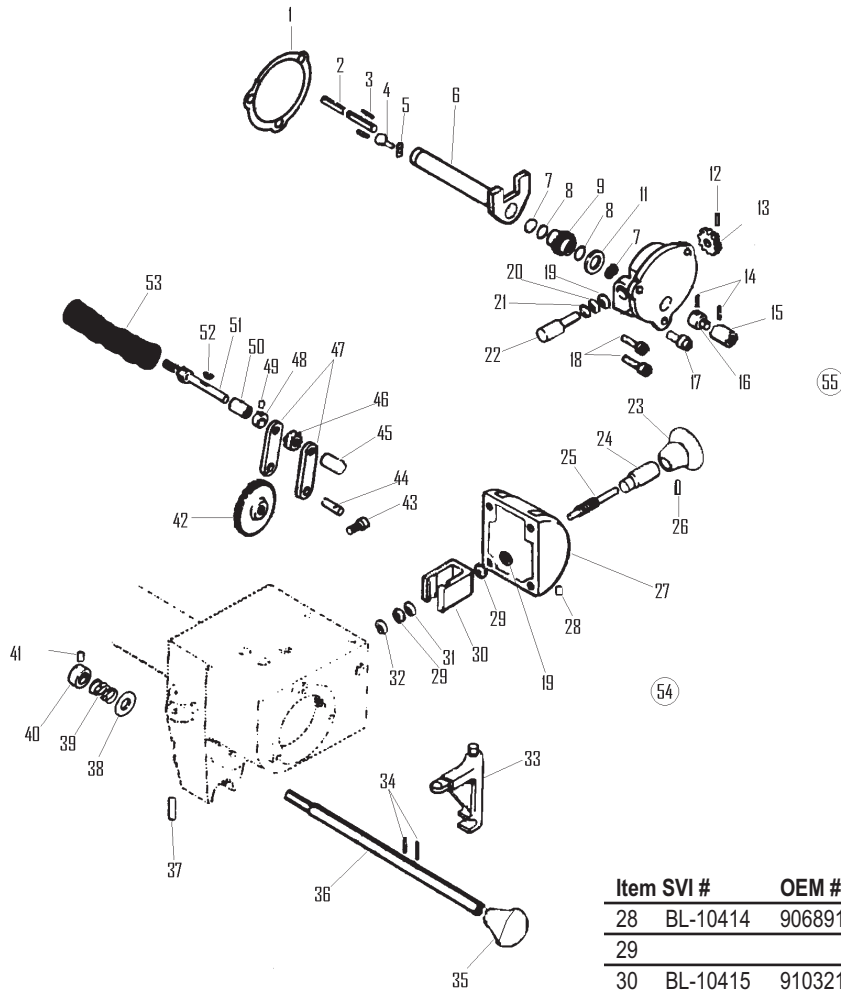
**Oil Seal for 7000**  
Order: **BL-10396**  
(OEM 906983)

**1" Arbor**  
Order: **BL-10020**  
(OEM 903101)



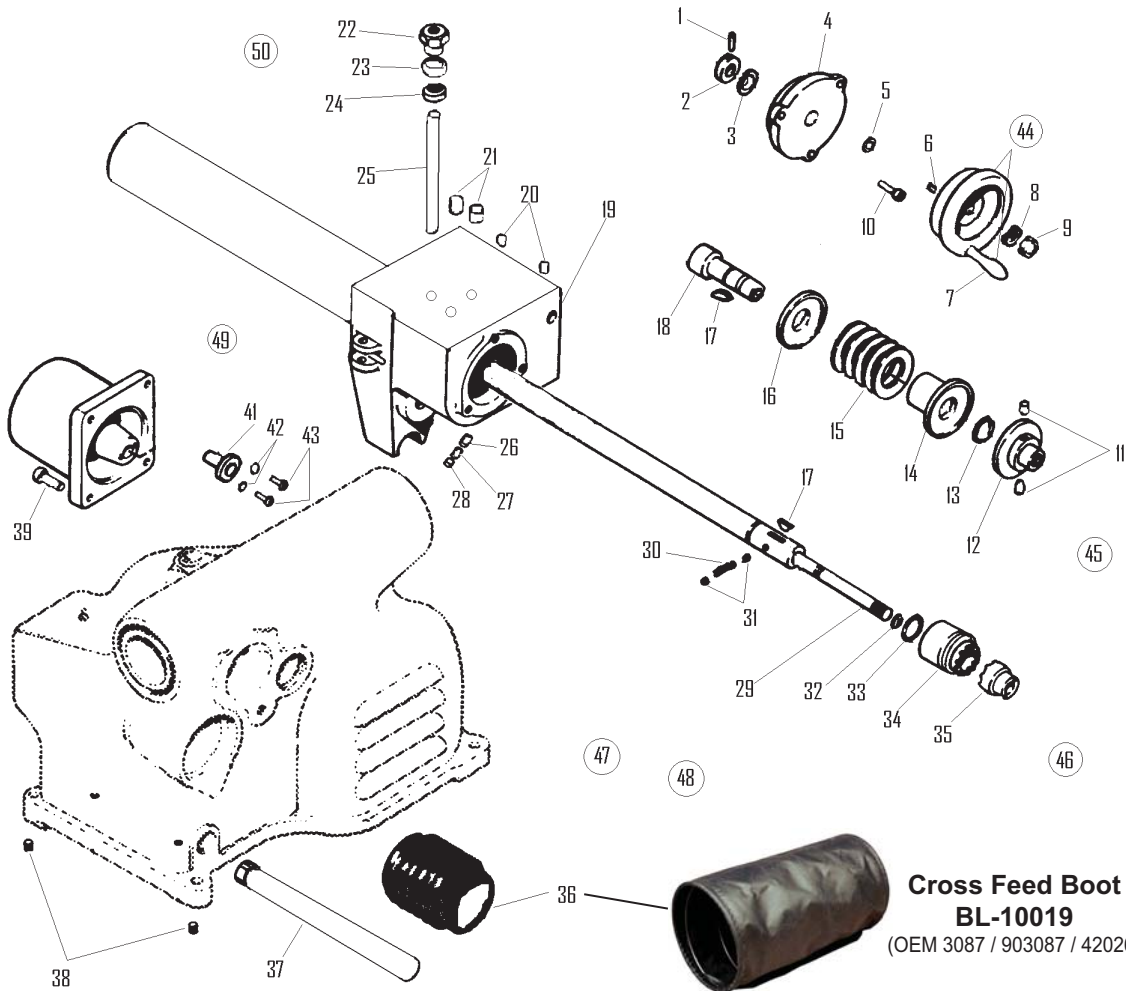


## 7000 Cross Feed Controls



Item SVI #	OEM #	Req	Description
1	BL-10397 910359	1	Gear Support Gasket
2	BL-10398 928822	1	Drive Rod
3			Available in Kit (BL-10437)
4	BL-10125 905646 / 40152	2	SH Cap Screw
5			Available in Kit (BL-10437)
6	BL-10400 928799	1	Oil Tube Assy
7			Available in Kit (BL-10437)
8			Available in Kit (BL-10437)
9	BL-10401 928823	1	Worm Gear
11	BL-10402 928741	2	Sealed Drawn Cup Bearing
12	BL-10280 904006	1	Roll Pin
13	BL-10403 910311	1	Drive Gear
14	BL-10272 906106	2	Roll Pin
15	BL-10404 910377	1	Drive Coupling
16	BL-10405 910376	1	Drive Coupling
17	BL-10406 906985	1	Shoulder Screw
18	BL-10290 903221	2	SH Cap Screw
19	BL-10275 906973	3	Thrust Washers
20	BL-10407 906976	1	Thrust Bearing
21	BL-10408 906975	1	Thrust Washer
22	BL-10409 910301	1	Worm
23	BL-10410 910331	1	Feed Control Knob
24	BL-10411 910336	1	Bushing
25	BL-10412 910337	1	Adjusting Rod
26	BL-10317 904096	1	Roll Pin
27	BL-10413 910330	1	Cover

Item SVI #	OEM #	Req	Description
28	BL-10414 906891	1	Set Screw
29			Available in Kit (BL-10436)
30	BL-10415 910321	1	Fork
31	BL-10416 928889	1	Wave Washer
<b>32</b>	<b>BL-10417 902304</b>	<b>1</b>	<b>Retaining Ring</b>
33	BL-10418 910365	1	Arm & Pin Assy
34	BL-10419 901963	2	Pin
35	BL-10420 906986	1	Knob
36	BL-10421 910344	1	Shut-Off Rod
37	BL-10394 903177	1	Pin
38	BL-10422 900279	1	Washer
39	BL-10423 903493	1	Spring
40	BL-10214 903039	1	Collar
41	BL-10216 900212	1	Set Screw
42	BL-10424 910326	1	Friction Drive Gear
43	BL-10425 900208	4	SH Screw
44	BL-10426 906967	1	Friction Drive Shaft
45	BL-10427 910341	1	Support Bushing
46	BL-10428 910327	1	Gear
47	BL-10429 910329	2	Link
48	BL-10430 910379	1	Stop Collar
49	BL-10431 903653	1	Roll Pin
50	BL-10432 910338	1	Bushing
51	BL-10433 910378	1	Input Shaft
52	BL-10434 906971	1	Key
53	BL-10435 928824	1	Boot & Spring
54	BL-10436 910354	1	Cross Slide Speed Control Cover Assy. (Items #19, 23-32)
55	BL-10437 928809	1	Cross Feed Power Take-Off Assy. (Items # 1-22)



**7000  
Cross  
Feed  
Drive**

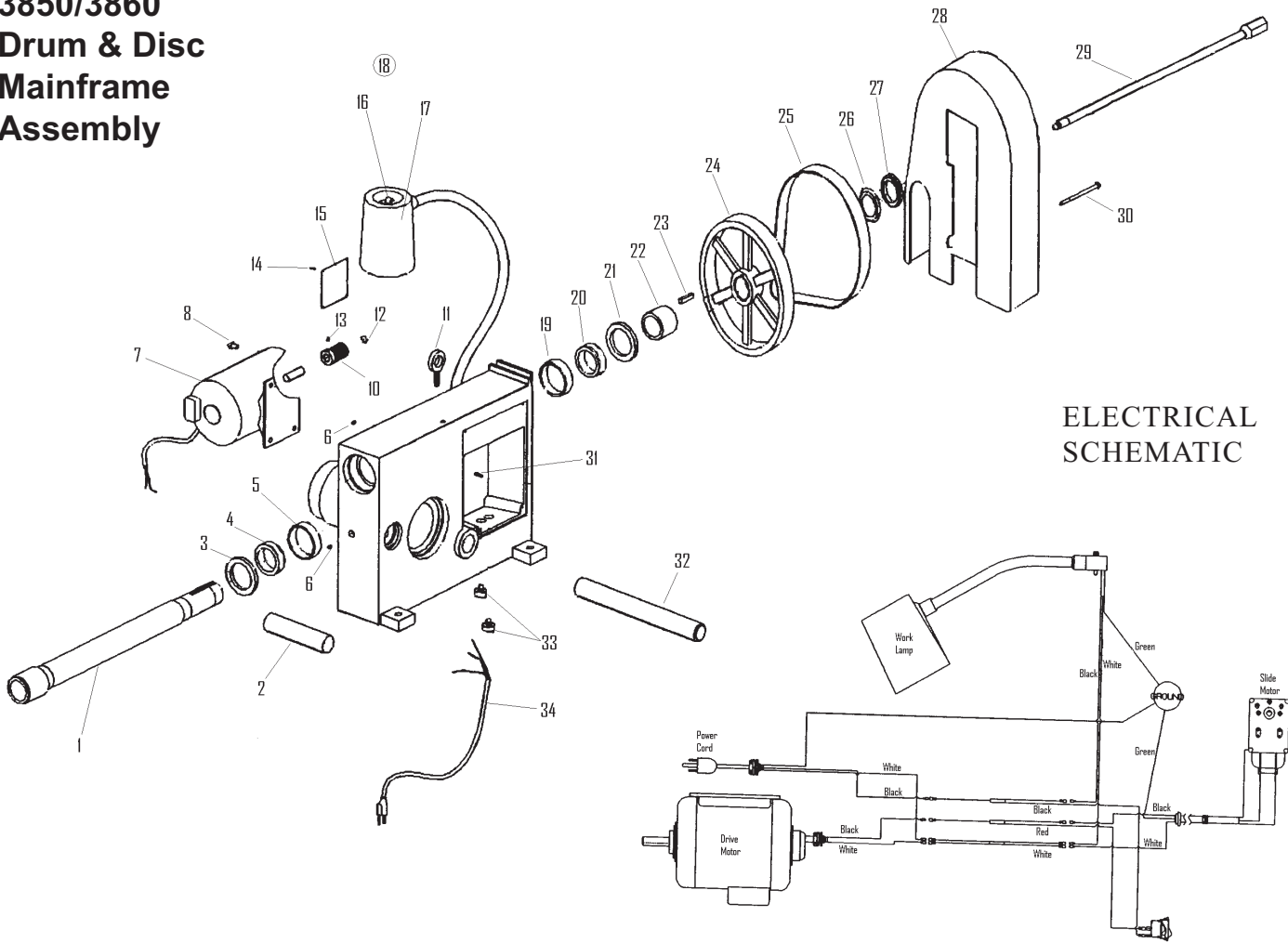
**Cross Feed Boot  
BL-10019**  
(OEM 3087 / 903087 / 42026)

Item	SVI #	OEM #	Req	Description
1	BL-10280	904006	1	Roll Pin
2	BL-10399	910334	1	Stop Collar
3	BL-10275	906973	1	Thrust Washer
4	BL-10438	910358	1	Cover & Bushing Assy
5	BL-10439	906726	1	Washer
6	BL-10440	906972	1	Key
7	<b>BL-10012</b>	<b>903026 / 42022</b>	<b>1</b>	<b>Handwheel Handle</b>
8	BL-10441	900278	1	Washer
9	BL-10442	928299	1	Nut
10	BL-10425	900208	3	SH Capscrew
11	BL-10443	911102	2	Set Screw
12	BL-10444	910324	1	Fixed Friction Disc
13	BL-10314	903174	1	Retaining Ring
14	BL-10445	910325	1	Friction Disc
15	BL-10244	903062	10	Bellville Spring
16	BL-10446	910335	1	Retainer
17	BL-10028	903176 / 40020	2	Key
18	BL-10447	910356	1	Drive Shaft & Pin Assy
19	BL-10448	910323	1	Cross Feed & Bushing Assy
20	BL-10216	900212	2	Set Screw
21	BL-10449	906990	2	Set Screw
22	BL-10175	911221 / 40099	1	Locking Nut
23	BL-10065	911225 / 40008	1	Retainer
24	BL-10176	911224 / 40007	1	Washer
25	BL-10014	903031 / 42007	1	Tool Clamp Stud

Item	SVI #	OEM #	Req	Description
26	BL-10000	900220 / 40009	1	Set Screw
27	BL-10005	902064 / 40010	1	Spring
28	BL-10055	909836 / 40011	2	Plug
29	BL-10450	910318	1	Lead Screw
30	BL-10234	900311	1	Steel Ball
31	BL-10235	903060	2	Spring
32	BL-10283	906138	1	Snap Ring
33	BL-10451	906969	1	Snap Ring
34	BL-10452	910322	1	Clutch, Driven
35	BL-10453	910320	1	Clutch, Drive
36	<b>BL-10019</b>	<b>903087 / 42026</b>	<b>1</b>	<b>Cross Feed Boot</b>
37	BL-10170	910346 / 40063	1	Cross Feed Guide Bar
38	BL-10079	901680 / 40064	2	Set Screw
39	BL-10259	901127	4	SH Capscrew
41				Available in Kit (BL-10459)
42	BL-10263	903910	1	Lock Washer
43	BL-10323	928367	2	Machine Screw
44	BL-10454	910353	1	Handwheel Assy
45	BL-10455	910355	1	Friction Drive Assy (11-18)
46	BL-10456	925310	1	Lead Screw & Clutch Assy (29-35)
47	BL-10457	910357	1	Lead Screw & Clutch Assy Includes (1-10) & 45, 46
48	BL-10458	910350	1	Cross Feed Assy (1-10, 19-21, 45-47)
49	BL-10459	928368	1	Lead Scw Cp Assy (40-43)



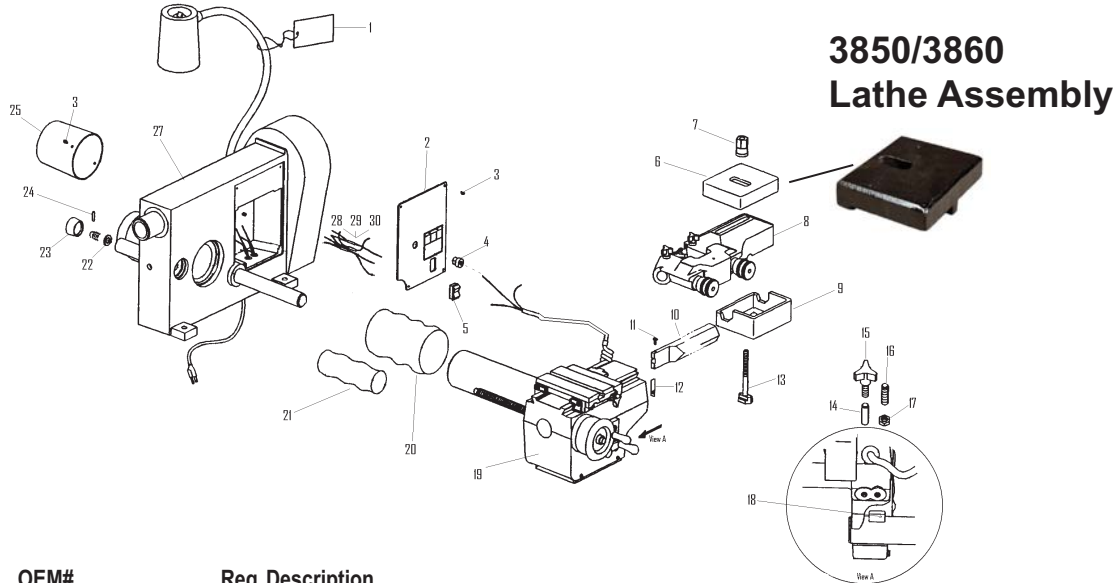
## 3850/3860 Drum & Disc Mainframe Assembly



**ELECTRICAL  
SCHEMATIC**

Item	SVI #	OEM #	Req	Description
1	BL-10460	29186 / 929186	1	Spindle
2	BL-11605	29164 / 929164	1	Rotor Feed Tube Protector
3	BL-10462	25704 / 925704	1	Seal
4	BL-10463	25705 / 925705	1	Bearing Cone
5	BL-10464	25706 / 925706	1	Bearing Cup
6	BL-10465	100305	2	Grease Fitting
7	BL-10466	29266 / 929266	1	Drive Motor
8	BL-10467	29212 / 929212	4	Flat Head Hex Screw
10	BL-10468	29645 / 929645	1	Motor Sheave
11	BL-10469	29282 / 929282	1	Eye Bolt
12	BL-10470	29235 / 929235	1	Internal Retaining Ring
13	BL-10471	29194 / 929194	1	Socket Head Hex Capscrew
14	BL-10077	306 / 900306 / 40086	8	Drive Screw
15	BL-10472	29244 / 929244	1	Serial Plate
16	BL-10069	22763 / 922763	1	Lamp Switch
17	BL-10473	29236 / 929236	1	Lamp Assembly
18	BL-10070	22764 / 922764	1	Dust Boot

Item	SVI #	OEM #	Req	Description
19	BL-10474	25711 / 925711	1	Bearing Cup
20	BL-10475	25710 / 925710	1	Bearing Cone
21	BL-10476	25709 / 925709	1	Seal
22	BL-10477	29169 / 929169	1	Spacer
23	BL-10478	29203 / 929203	1	Square Key
24	BL-10479	29644 / 929644	1	Spindle Sheave
25	BL-10480	29646 / 929646	1	Belt
26	BL-10388	6981 / 906981	1	Spindle Bearing Lock Ring
27	BL-10389	6980 / 906980	1	Spindle Bearing Adj Nut
28	BL-10481	29640 / 929640	1	Pulley Cover
29	BL-10482	29184 / 929184	1	Draw Bar
30	BL-10483	29232 / 229232	1	Flat Hd Whz Lock Screw
31	BL-10484	6824 / 906824	1	Screw
32	BL-10485	29163 / 929163	1	Guide Bar
33	BL-10486	25783 / 925783	2	Relief Strain
34	BL-10487	29239 / 929239	1	Power Cord



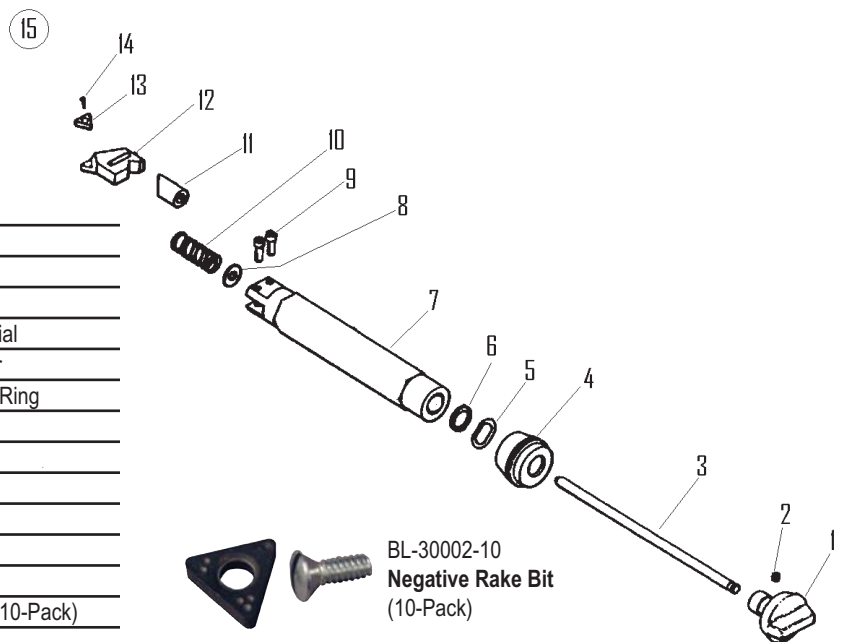
**3850/3860  
Lathe Assembly**

ItemSVI#	OEM#	Req	Description
1	BL-10491 3559 / 903559	1	Caution Card
2	BL-10492 29238 / 929238	1	Electrical Panel
3	BL-10493 29227 / 929227	6	Screw
4	BL-10494 21144 / 921144	1	Strain Relief
5	BL-10495 29242 / 929242	1	Switch
6	BL-10009 3017 / 903017 / 40004	1	Top clamp-boring bar
7	BL-10066 11227 / 911227 / 40143	1	Nut
8	BL-10496 28800 / 928800	1	Twin Cutter Assy 3850
	BL-10497 29800 / 929800	1	Twin Cutter Assy 3860
9	BL-10498 2066 / 902066	1	Bottom clamp-boring bar
10	BL-10359 29240 / 929240	1	Boring Bar Assy 3850
11	BL-10126 5689 / 905689 / 40185	1	Screw 3850
12	BL-30023 5390 / 905390 / 45028	1	Tool Bit Holder 3850
13	BL-10499 29259 / 929259	1	Bolt
15	BL-10037 6854 / 906854 / 40013	1	Knob

ItemSVI#	OEM#	Req	Description
16	BL-10502 29201 / 929201	1	Screw
17	BL-10503 29230 / 929230	1	Jam Nut
18	BL-10504 29187 / 929187	1	Crossfeed Gib
19	BL-10505 29300 / 929300	1	Crossfeed Assy
20	BL-10363 29191 / 929191	1	Crsfd Boot/Ret Ring assy
21	BL-10362 29190 / 929190	1	Lead Screw Bt/Ret Rg assy
22	BL-10506 29217 / 929217	1	Washer
23	BL-10507 29216 / 929216	1	Cap Plug
24	BL-10508 29181 / 929181	1	Pin
25	BL-10509 29198 / 929198	1	Cap, End, Crossfeed
27	BL-10510 29400 / 929400	1	Mainframe Assy
28	BL-10511 29252 / 929252	1	3-wire black wiring harness
29	BL-10512 29157 / 929157	1	4-wire wiring harness
30	BL-10513 29155 / 929155	1	3-wire red wiring harness

**3860 Drum Boring  
Bar Assembly**

Item SVI #	OEM #	Req	Description
1	BL-10345 25751 / 925751	1	Dial
2	BL-10030 3338 / 903338 / 42018	1	Screw
3	BL-10488 25755 / 925755	1	Rod Dial
4	BL-10343 25752 / 925752	1	Micrometer Dial
5	BL-10342 25758 / 925758	1	Wave Washer
6	BL-10341 25759 / 925759	1	External Ret. Ring
7	BL-10489 25753 / 925753	1	Boring Bar
8	BL-10339 25757 / 925757	2	Screw
9	BL-10338 24922 / 924922	1	Washer
10	BL-10329 25756 / 925756	1	Spring
11	BL-10337 25754 / 925754	1	Sleeve
12	BL-10336 25762 / 925762	1	Holder
13	BL-30002-10 6914 / 906914 / 45001	1	Bit (sold as a 10-Pack)
14	BL-30001 6499 / 906499 / 45019	1	Screw
15	BL-10490 25750 / 925750	1	RH Tool Assembly







ItemSVI #	OEM #	Req	Description
1	BL-10064 11154 / 911154 / 42001A	1	Shield
2	BL-10181 29254 / 629254 / 42001B	1	Bracket
3	BL-10173 11152 / 911152 / 42001G	1	Screw
4	BL-10514 4379 / 604379	2	Washer
5	BL-10515 27592 / 927592	2	Spacer
6	BL-10516 24100 / 624100	2	Screw
7	BL-10377 28572 / 928572	1	Twin Cutter Housing
8	BL-10141 6923 / 906923 / 40115	2	Dial Rod Knob
9	BL-10030 3338 / 903338 / 42018	2	Set Screw
10	BL-10138 6907 / 906907 / 40113	2	Micrometer Dial
11	BL-10142 6929 / 906929 / 40112	2	Spring Washer
12	BL-10137 6906 / 906906 / 40104	2	Dial Plug
13	BL-10139 6908 / 906908 / 40105	2	Dial Rod
14	BL-10129 6109 / 906109 / 40125	2	Set Screw
15	BL-10144 6977 / 906977 / 40127	1	Plug
16	BL-10031 3528 / 903528 / 40129	2	Hex Nut
17	BL-10136 6905 / 906905 / 40142	2	Spring
18	BL-30003 6918 / 906918 / 45017	2	Bit, Pos Rake for 3850
	BL-30002-10 6914 / 906914 / 45001	2	Bit, Neg Rake for 3860 (10-pk)
19	BL-30001 6499 / 906499 / 45019	2	Screw
20	BL-30015 25968 / 925968 / 45012	1	RH Toolbit holder for 3850
	BL-30014 25969 / 925969 / 45013	1	LH Toolbit holder for 3850
	BL-30010 10701 / 910701 / 45005	1	RH Toolbit holder for 3860
	BL-30011 10702 / 910702 / 45006	2	LH Toolbit holder for 3860
21	BL-10052 9249 / 909249 / 40185	2	Screw
22	BL-30013 10650 / 910650 / 45004	1	LH Tool Holder
	BL-30012 10651 / 910651 / 45003	1	RH Tool Holder
23	BL-10165 9879 / 909879 / 40128	2	Locating Screw
24	BL-10180 28584 / 928584 / 40141	2	Gib, Tool Holder
25	BL-10037 6854 / 906854 / 40013	2	Knob
26	BL-10517 24557	2	Nut

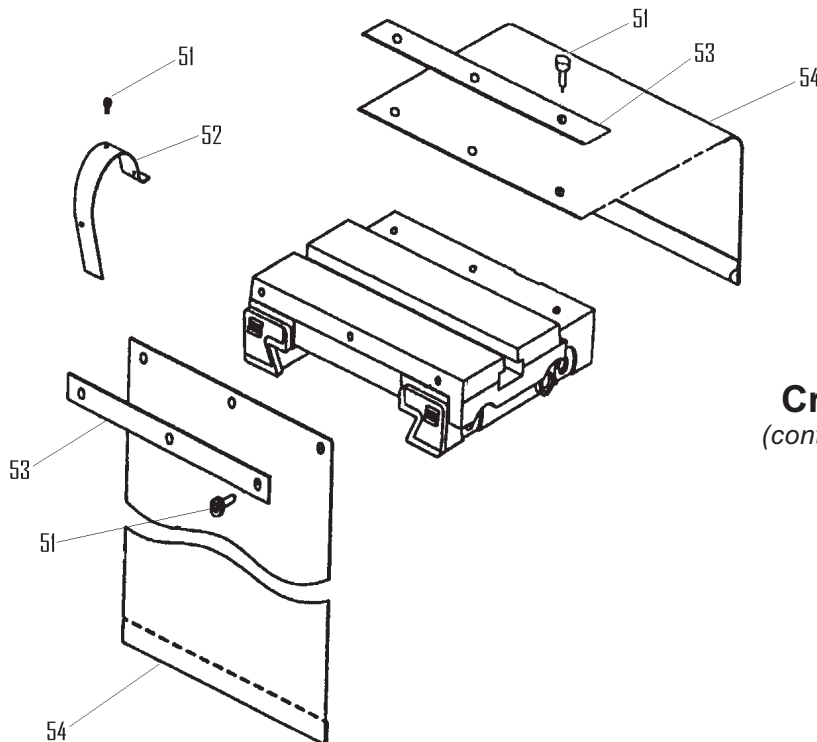
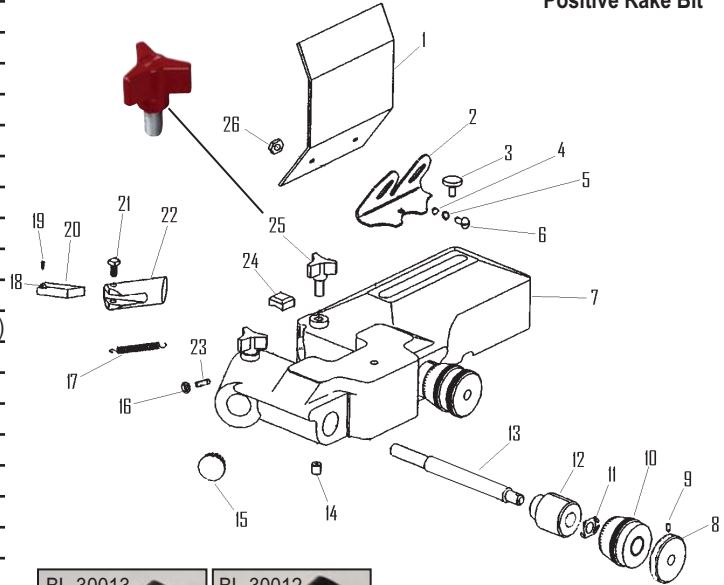
## 3850/3860 Twin Cutter & Safety Shield



BL-30002-10  
Negative Rake Bit  
(10-Pack)



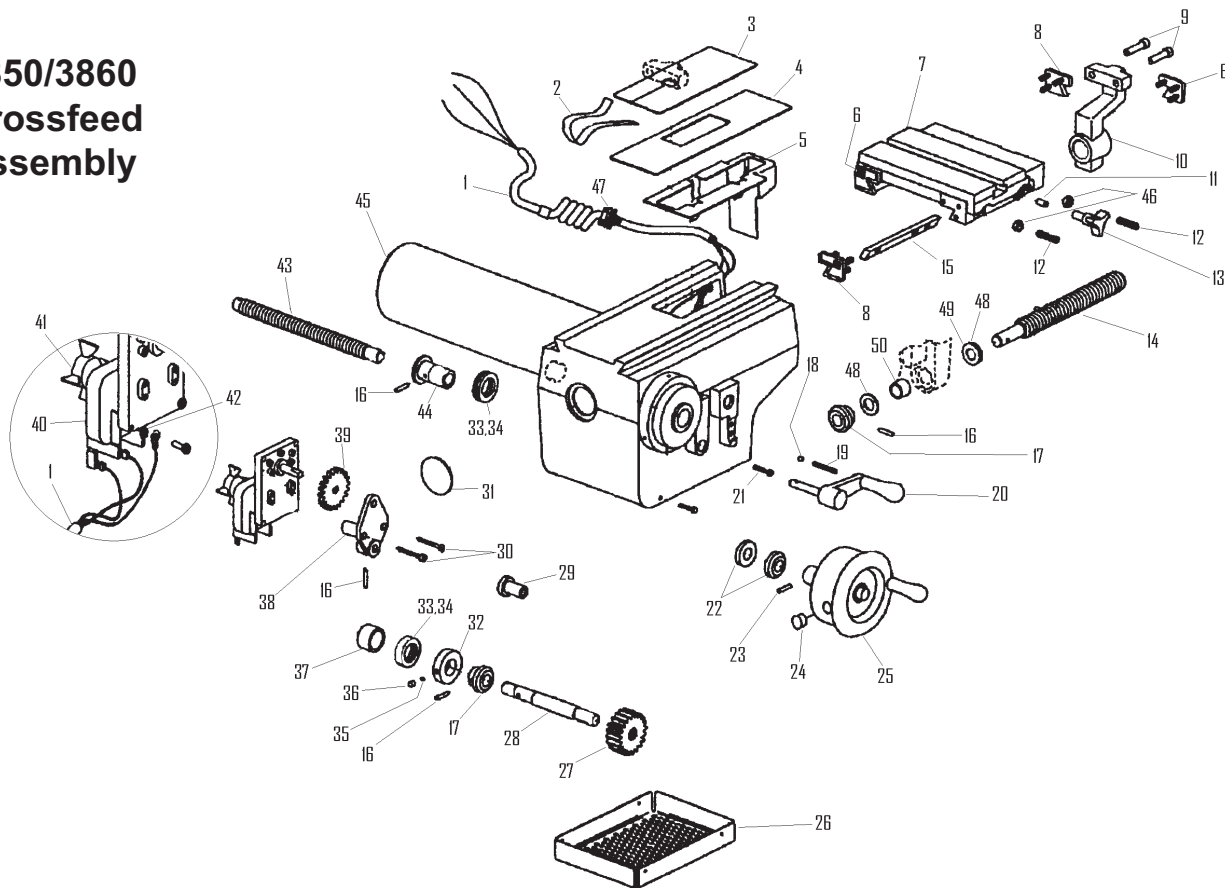
BL-30003  
Positive Rake Bit



## 3850/3860 Crossfeed Assembly

*(continues on the following page)*

**3850/3860  
Crossfeed  
Assembly**

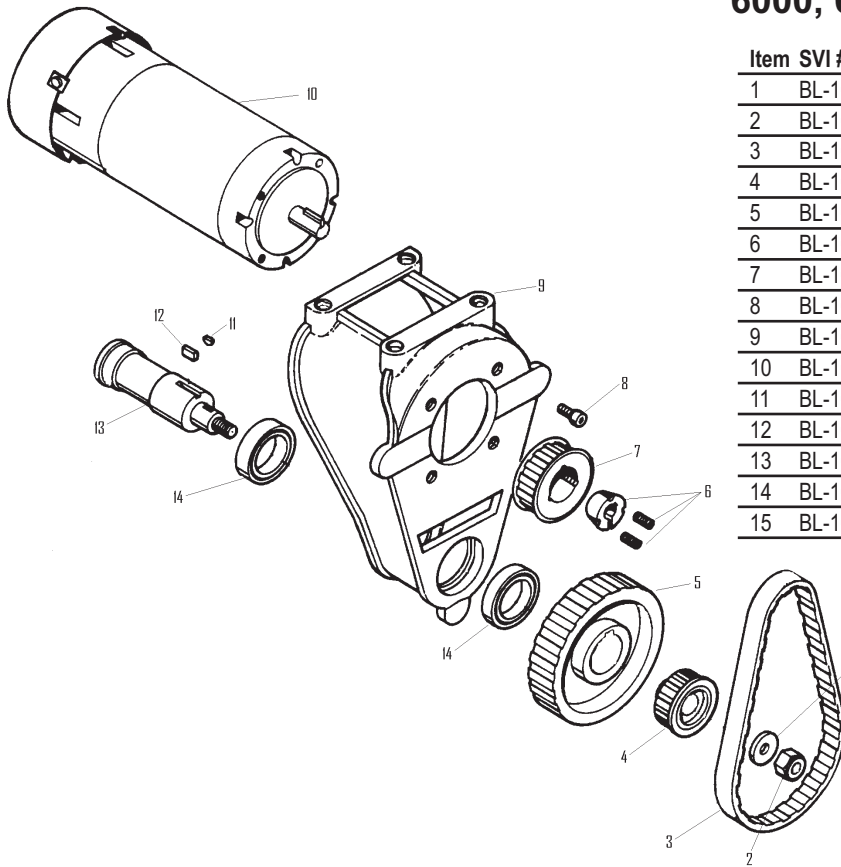


Item	SVI #	OEM #	Req	Description
1	BL-10518	29253 / 92953	1	Pigtail Cord
2				Electrical Tape
3	BL-10519	29205 / 929205	1	Top Cover
4	BL-10520	29204 / 929204	1	Bottom Cover
5	BL-10521	29202 / 929202	1	Drum Slide Cover
6	BL-10522	29207 / 929207	2	RH Wiper, Tool Slide
7	BL-10523	29156 / 929156	1	Drum Slide
8	BL-10524	29206 / 929206	2	LH Wiper, Tool Slide
9	BL-10526	29231 / 929231	2	Cap Screw
10	BL-10527	29174 / 929174	1	Nut, Drum Slide
11	BL-10528	29229 / 929229	1	Brass Plug
12		29199 / 929199	2	Screw
13	BL-10037	6854 / 906854 / 40013	1	Knob
14	BL-10529	29183 / 929183	1	Lead Screw
15	BL-10530	29170 / 929170	1	Gib, Slide Tool
16	BL-10508	29181 / 929181	4	Drive Lock Groove Pin
17	BL-10531	29182 / 929182	1	Miter Gear
18	BL-10532	24008 / 924008	4	Ball
19	BL-10533	29167 / 929167	1	Spring
20	BL-10534	29166 / 929166 / 940382	1	Handle Assy-Drive Mtr Eng.
21	BL-10535	29246 / 929246	4	Self-tapping Screw
22	BL-10536	40279 / 940279	2	Wiper Ring
23	BL-10537	6424 / 906424	1	Roll Pin
24	BL-10538	40483 / 940483	2	Dome Plug
25	BL-10539	29171 / 929171	1	Handwheel Assy
26	BL-10540	29245 / 929245	1	Bottom Crossfeed Cover
27	BL-10541	29213 / 929213	1	Driven Gear

28	BL-10542	29224 / 929224	1	Shaft
29	BL-10543	29333 / 929333	1	Bushing
30	BL-10544	29234 / 929234	2	Socket Hd Capscrew
31	BL-10111	3166 / 903166 / 40042	1	Expansion Plug
32	BL-10545	29276 / 929276	1	Bearing Collar
33	BL-10546	29220 / 929220	4	Race, Thrust
34	BL-10547	29221 / 929221	2	Bearing, Thrust
35	BL-10100	3141 / 903141 / 92096	1	Copper Plug
36	BL-10471	29194 / 929194	1	Screw
37	BL-10548	29223 / 929223	1	Bronze Bushing
38	BL-10549	29175 / 929175	1	Drive Motor Bracket
39	BL-10550	29214 / 929214	1	Drive Gear
40	<b>BL-10551</b>	<b>29233 / 929233</b>	1	<b>Slide Motor</b>
41	<b>BL-10552</b>	<b>26321-1 / 926321-1</b>	1	<b>Slide Motor Fan</b>
42	BL-10263	3910 / 903910	1	Washer
43	BL-10553	29218 / 929218	1	Rotor Feed Lead Screw
44	BL-10554	29219 / 929219	1	Coupler Assy
45	BL-10555	29158 / 929158	1	Crossfeed
46	BL-10556	29211 / 929211	2	Locknut
47	BL-10486	25783 / 925783	1	Strain Relief
48	BL-10557	29178 / 929178	3	Race, Thrust
49	BL-10558	29179 / 929179	1	Bearing, Thrust
50	BL-10559	29180 / 929180	1	Bronze Bushing
51	BL-10560	27361 / 927361	9	Screw
52	BL-10561	40485 / 940485	1	Handwheel Shield
53	BL-10562	40484 / 940484	2	LH Cover Strip
54	BL-10563	40486 / 940486	2	LH Assy Cover



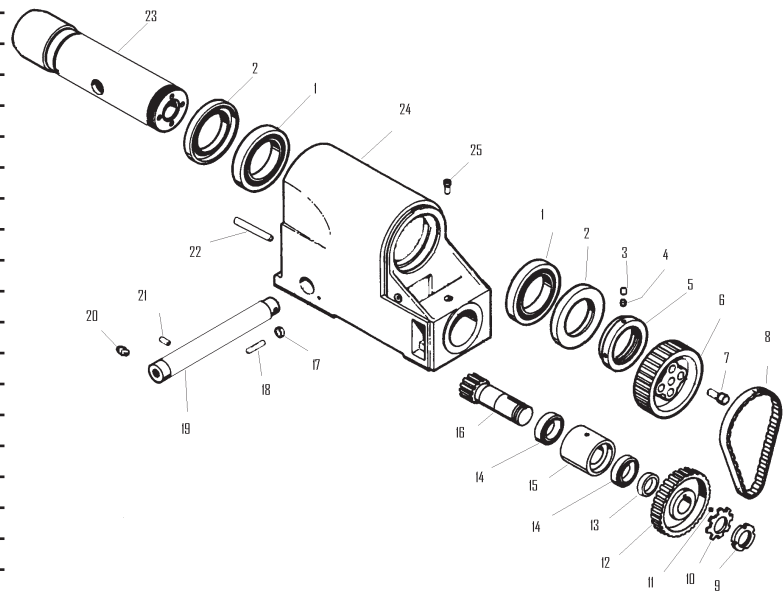
## 6000, 6002 Drive Motor Bracket Assy



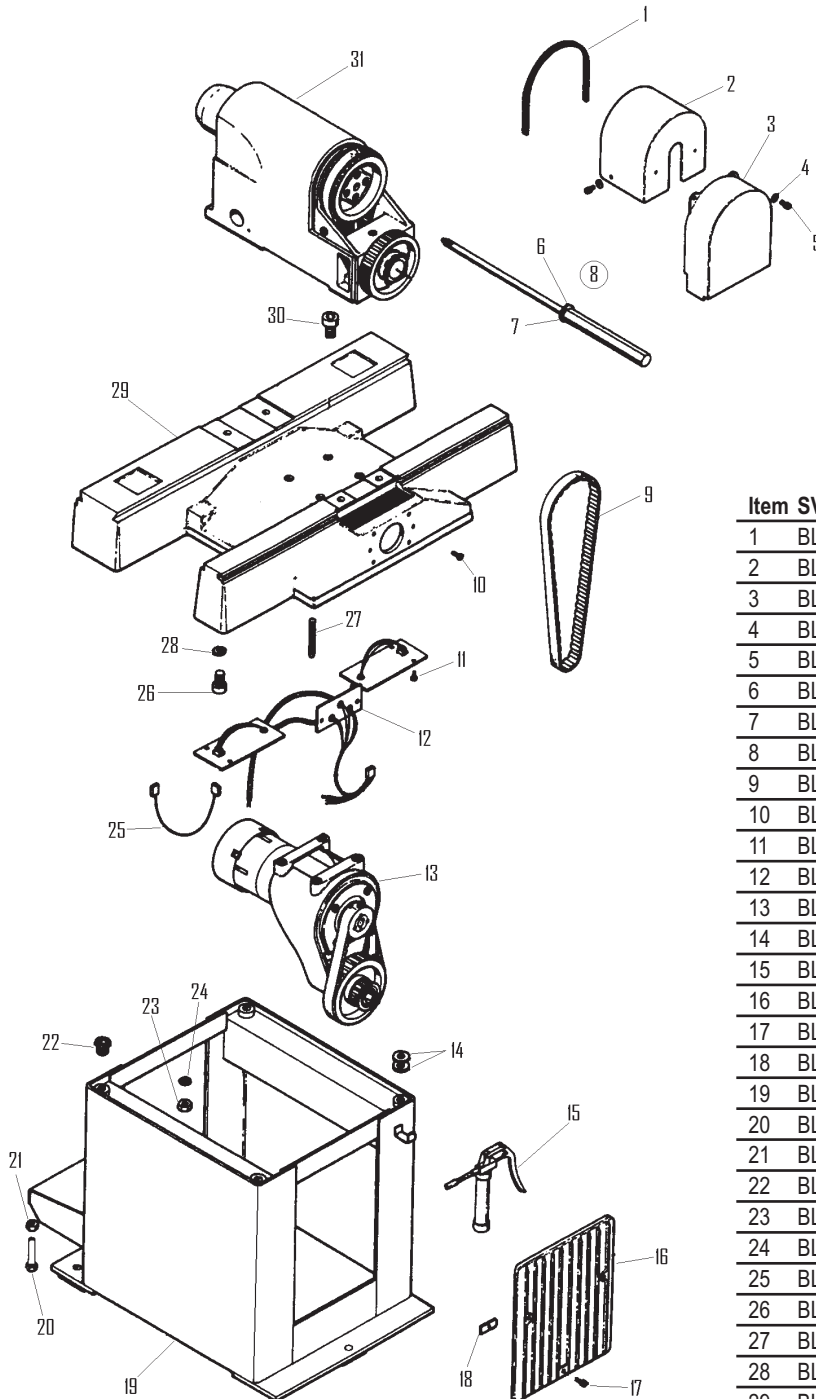
Item	SVI #	OEM #	Req	Description
1	BL-10564	906941	1	Washer
2	BL-10565	920896	1	Lock Nut
3	BL-10566	920897	1	Drive Belt
4	BL-10567	921315	1	Pulley
5	BL-10568	921072	1	Pulley
6	BL-10569	920898	1	Taper lock bushing w/screws
7	BL-10570	920899	1	Pulley
8	BL-10571	905578	4	Cap screws
9	BL-10572	920761	1	Drive Bracket
10	BL-10573	922695	1	Drive Motor w/ Key
11	BL-10574	920918	1	Woodruff Key
12	BL-10575	905022	1	Key
13	BL-10576	921071	1	Lower Pulley Shaft
14	BL-10577	905505	2	Bearing
15	BL-10578	921756	2	Replacement Brush

Item	SVI #	OEM #	Req	Description
1	BL-10579	921263	2	Bearing
2	BL-10580	921264	2	Seal
3	BL-10581	902993	1	Set Screw
4	BL-10582	921267	1	Nylon Plug
5	BL-10583	921261	1	Bearing Locknut
6	BL-10584	920762	1	Spindle Pulley
7	BL-10585	905535	4	Cap Screw
8	BL-10586	921265	1	Drive Belt
9	BL-10587	905508	1	Lock Nut
10	BL-10588	905510	1	Bearing Lock Washer
11	BL-10575	905022	1	Key
12	BL-10568	921072	1	Pulley
13	BL-10591	925665	1	Spacer
14	BL-10577	905505	2	Bearing
15	BL-10592	921262	1	Counter Shft Bushing
16	BL-10593	921671	1	Pulley Shft Assy
17	BL-10031	903528 / 40129	2	Jam Nut
18	BL-10594	905543	2	Set Screw
19	BL-10595	922596	2	Lead Screw & Nut assy
20	BL-10036	906853 / 42028	2	Grease Fitting
21	BL-10317	904096	2	Roll Pin
22	BL-10596	921273	2	Lock Rod
23	BL-10597	920760	1	Spindle
24	BL-10598	920752	1	Spindle Housing
25	BL-10571	905578	1	Cap Screw

## 6000, 6002 Spindle Housing Assy



**6000, 6002  
Base & Bead Assy.**



Item	SVI #	OEM #	Req	Description
1	BL-10589	922487	1	Upper Belt Guard Seal
2	BL-10590	921156	1	Upper Belt Guard
3	BL-10514	904379	4	Washer
4	BL-10599	902799	4	Cap Screw
5	BL-10600	921157	1	Lower Belt Guard
6	BL-10601	922127	1	Retaining Ring
7	BL-10602	921331	1	Drawbar Washer
8	BL-10603	921327	1	Drawbar Assy
9	BL-10604	921281	1	Drive Belt
10	BL-10605	921061	2	Screw
11	BL-10606	921986	4	Screw
12	BL-10607	921226	1	Bed Wiring Assy
13	BL-10608	921118	1	Motor Bracket Assy
14	BL-10609	921225	3	Spherical Washer Set
15	BL-10610	921654	1	Grease Gun
16	BL-10611	920880	2	Access Panel
17	BL-10612	921255	6	Nylock Cap Screw
18	BL-10613	921222	6	Access Lock
19	BL-10614	921208	1	Base Weldment
20	BL-10615	906052	2	Screw
21	BL-10616	906123	2	Nut
22	BL-10617	905095	1	Jack Screw
23	BL-10618	920938	4	Nut
24	BL-10619	920937	4	Lock Washer
25	BL-10620	921300	2	Jumper Wire
26	BL-10585	905535	4	Screw
27	BL-10621	921507	4	Stud
28	BL-10622	903476	4	Lock Washer
29	BL-10623	920753	1	Bed
30	BL-10624	901218	4	Screw
31	BL-10625	921259	1	Spindle Housing Assy





# Brake Lathe Parts & Accessories

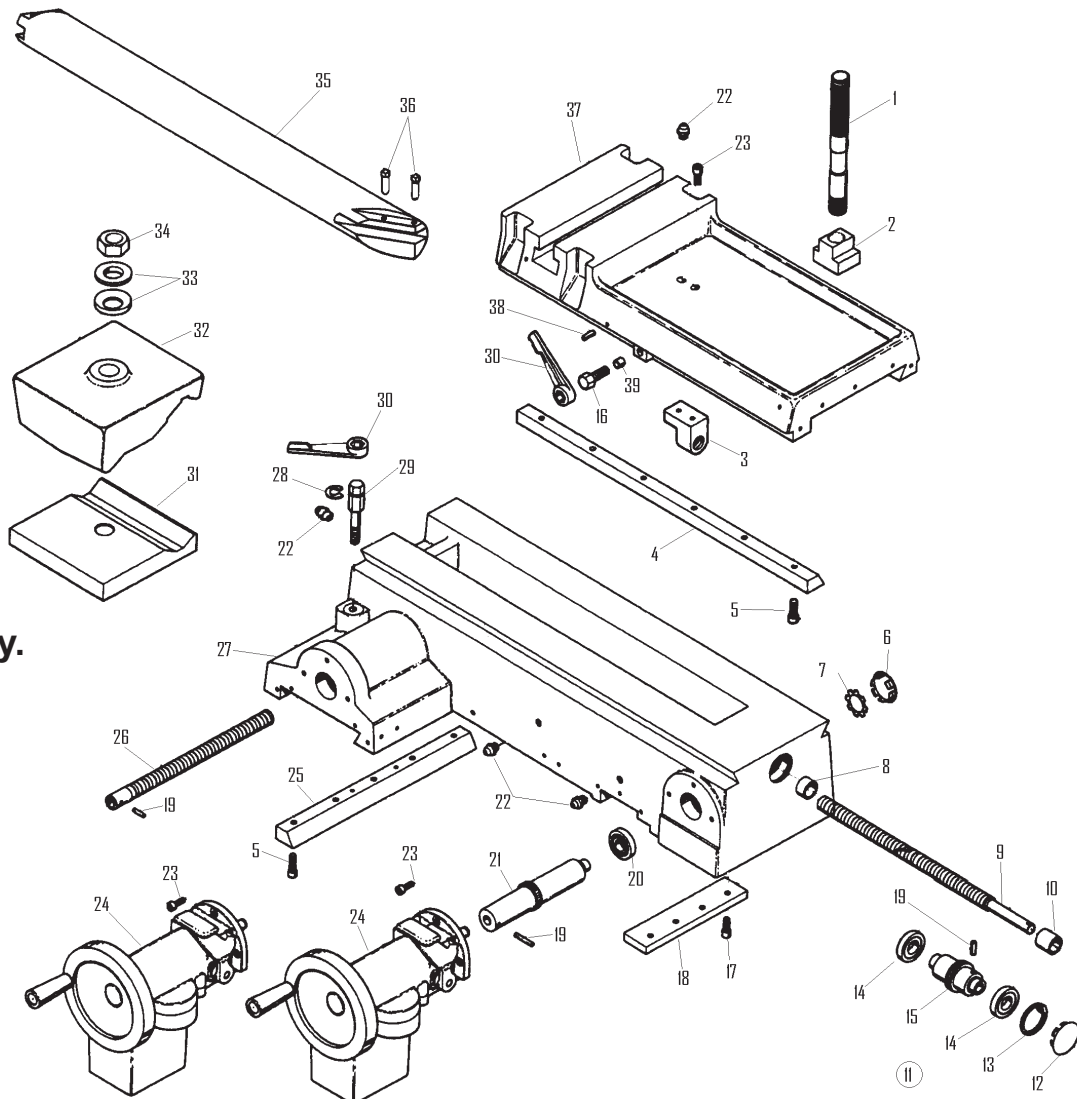
entire contents copyright © 2012 SVI International, Inc.

**TOLL FREE:**  
**800-321-8173**

Item SVI #	OEM #	Req	Description
1	BL-10626	921326	1 Stud
2	BL-10627	921325	1 "T" Nut
3	BL-10628	921069	1 Lead Screw Nut
4	BL-10629	921239	1 Cross Slide Gib
5	BL-10612	921255	11 Cap Screw
6	BL-10312	906446	1 Plug Button
7	BL-10630	922135	1 Retaining Ring
8	BL-10631	905244	1 Spacer
9	BL-10632	921235	1 Lead Screw
10	BL-10633	922762	1 Spacer
11	BL-10634	921234	1 Lead Screw Assy
12	BL-10635	922136	1 Plug Button
13	BL-10636	921244	1 Retaining Ring
14	BL-10637	921233	2 Bearing
15	BL-10638	921236	1 Shaft
16	BL-10639	921242	1 Lock Stud
17	BL-10640	906772	4 Cap Screw
18	BL-10641	921245	1 Hold Down
19	BL-10537	906424	3 Roll Pin
20	BL-10642	921707	1 Bearing
21	BL-10643	921286	1 Driving Shaft

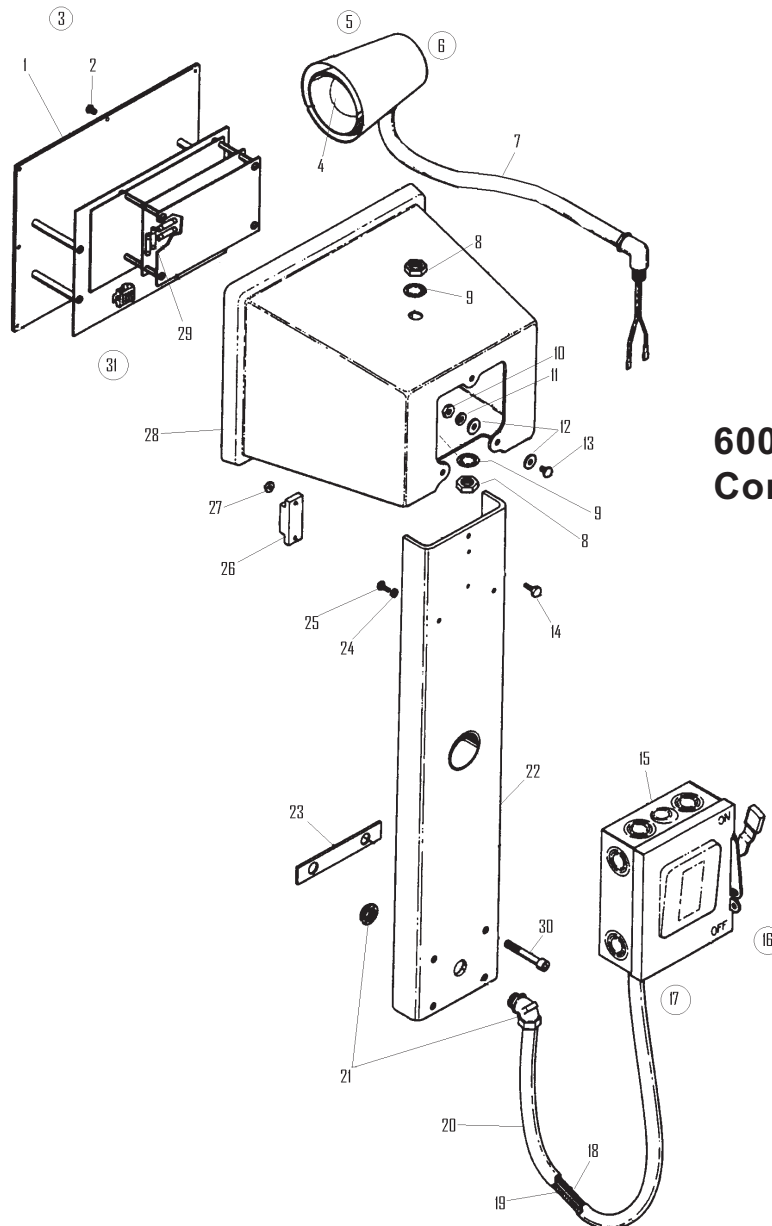
Item SVI #	OEM #	Req	Description
22	BL-10644	902999	4 Grease Fitting
23	BL-10645	921256	8 Cap Screw
24	BL-10646	920850	2 Gear Box Assy
25	BL-10647	921240	1 Saddle Gib
26	BL-10648	921308	1 Lead Screw
27	BL-10649	922599	1 Saddle, RH
	BL-10650	922598	1 Saddle, LH
28	BL-10378	905639	1 E-Ring
29	BL-10651	921241	1 Lock Stud
30	BL-10652	920673	2 Lock Handle
31	BL-10653	923516	1 Boring Bar Base Plate
32	BL-10654	923517	1 Top Boring Bar Clamp
33	BL-10655	905198	1 Washer Set
34	BL-10656	905190	1 Clamp Nut
35	BL-10657	906669	1 Boring Bar
36	BL-10126	905689 / 40185	2 Screw
37	BL-10658	920754	1 Cross Slide, RH
	BL-10659	920755	1 Cross Slide, LH
38	BL-10660	906940	1 Roll Pin
39	BL-10661	921243	1 Plug

## 6000, 6002 Saddle Assy.



Item SVI #	OEM #	Req	Description
1	BL-10662 921301	1	Control Panel Assy
2	BL-10663 921094	8	Screw
3	BL-10664 921762	1	Pilot lamp - Not Shown For Main Power Switch
4	BL-10665 922034	1	50 Watt Bulb, 220 V
5	BL-10666 925902	1	O-ring Bulb seal-not shown
6	BL-10069 922763	1	Repl. Lamp Switch/Socket
	BL-10070 922764	1	Lamp Switch Dust Boot Kit
7	BL-10667 921409	1	Lamp Assy
8	BL-10668 921411	2	Nut
9	BL-10669 921412	2	Lock Washer
10	BL-10031 903528 / 40129	3	Nut
11	BL-10670 905592	3	Lock Washer
12	BL-10671 900336	6	Washer
13	BL-10672 905544	3	Screw
14	BL-10673 922030	2	Screw
15	BL-10674 922033	1	Disconnect Box Assy
	BL-10675 922482	1	CSA Disc. Box Assy

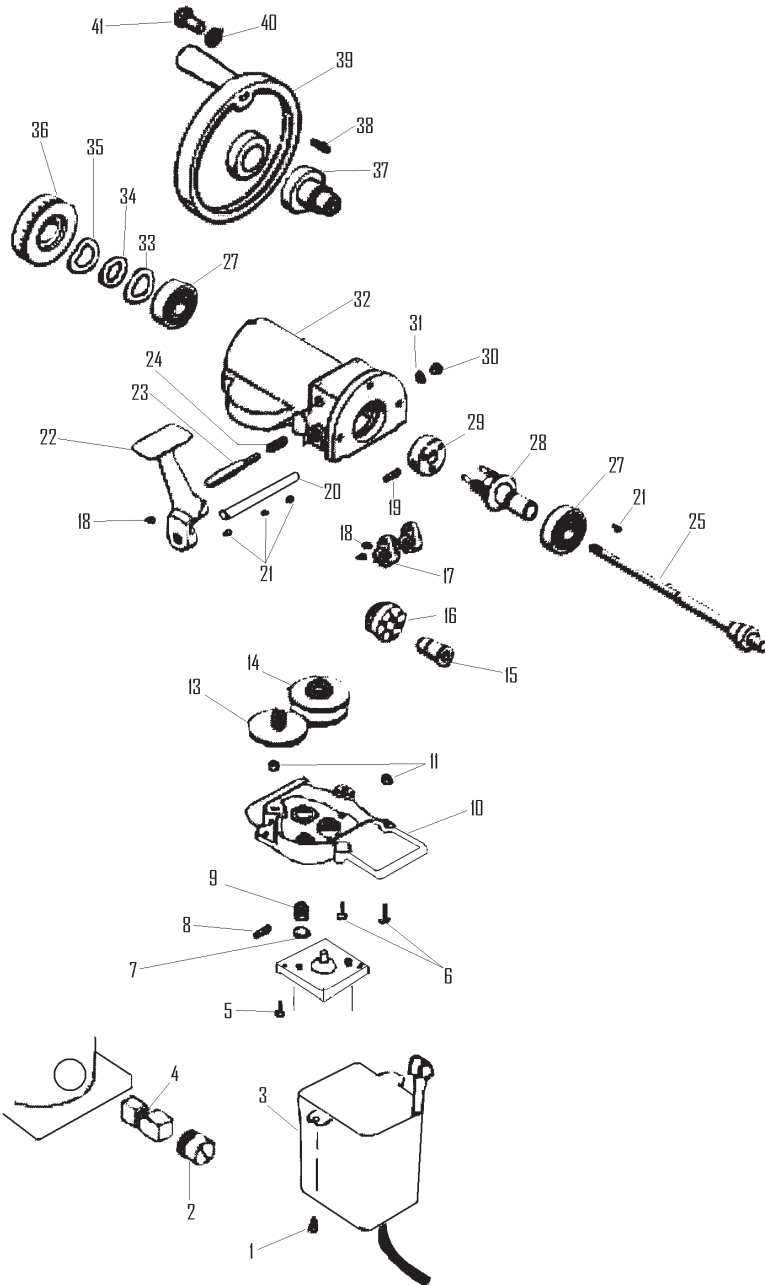
Item SVI #	OEM #	Req	Description
16	BL-10676 922481	2	20 amp,250V, Class k5, Dual Element Cart. Fuse
17	BL-10677 921448	1	Straight Connector
18	BL-10678 921451-02		12-1/2 Line Wire
19	BL-10679 921451-01		12-1/2 Line Wire
20	BL-10680 921449	6	Liquid Tight Flexible Conduit
21	BL-10681 921447	1	90 degree Connector
22	BL-10682 921332	1	Post Weldment
23	BL-10683 921324	1	Shim
24	BL-10080 901926 / 42049	1	Lock Washer
25	BL-10179 921972 / 42048	1	Screw
26	BL-10684 921336	1	Terminal Block
27	BL-10685 906492	2	Nut
28	BL-10686 920764	1	Control Box
29	BL-10687 922031	4	.5 amp, 250V slow-blow fuse
30	BL-10688 921228	4	Cap Screw



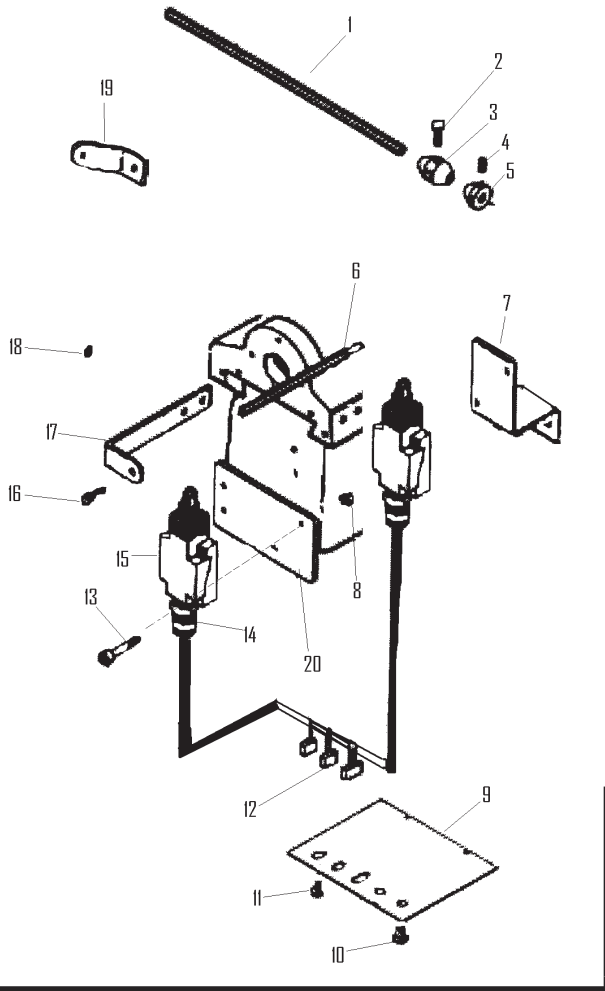
**6000,6002  
Control Box Assembly**



## 6000, 6002 Gear Box Assy



Item	SVI #	OEM #	Req	Description
1	BL-10689	921083	1	Motor Cover Assy
2	BL-10690	922003	2	Replacement Brush
3	BL-10125	905646 / 40152	4	Cap Screw
4	BL-10293	906254	2	Cap Screw
5	BL-10691	925920	1	Washer
6	BL-10692	900205	4	Cap Screw
7-9	BL-10721	922005	1	Motor & Gear Assy
7	BL-10693	922001	1	Washer
8	BL-10694	904292	1	Roll Pin
9	BL-10695	922002	1	Gear
10	BL-10696	920830	1	Cover
11	BL-10697	921502	2	Bushing
13	BL-10698	921066	1	Gear Assy
14	BL-10699	921065	1	Gear Assy
15	BL-10700	920839	1	Bushing
16	BL-10701	920841	1	Bevel Gear
17	BL-10702	920834	2	Shifter
18	BL-10074	900213 / 40072	3	Set Screw
19	BL-10703	903826	1	Roll Pin
20	BL-10704	920835	1	Shaft
21	BL-10434	906971	4	Woodruff Key
22	BL-10705	920837	1	Handle
23	BL-10706	920854	1	Plunger
24	BL-10707	920870	1	Spring
25	BL-10708	920847	1	Shaft
27	BL-10709	920861	2	Bearing
28	BL-10710	920859	1	Clutch Assy
29	BL-10711	920846	1	Clutch Block
30	BL-10712	921067	1	Screw
31	BL-10292	904789	1	Washer
32	BL-10713	920829	1	Gear Case
33	BL-10714	906289	1	Retaining Ring
34	BL-10715	921081	1	Wave Washer
35	BL-10716	921080	1	Feed Dial
36	BL-10300	906451	1	Washer
37	BL-10103	903184 / 40134	1	Lock Nut
38	BL-10717	920862	1	Plug
39	BL-10718	920832	1	Hand Wheel
40	BL-10719	920852	1	Handle
41	BL-10720	904639	1	O-ring

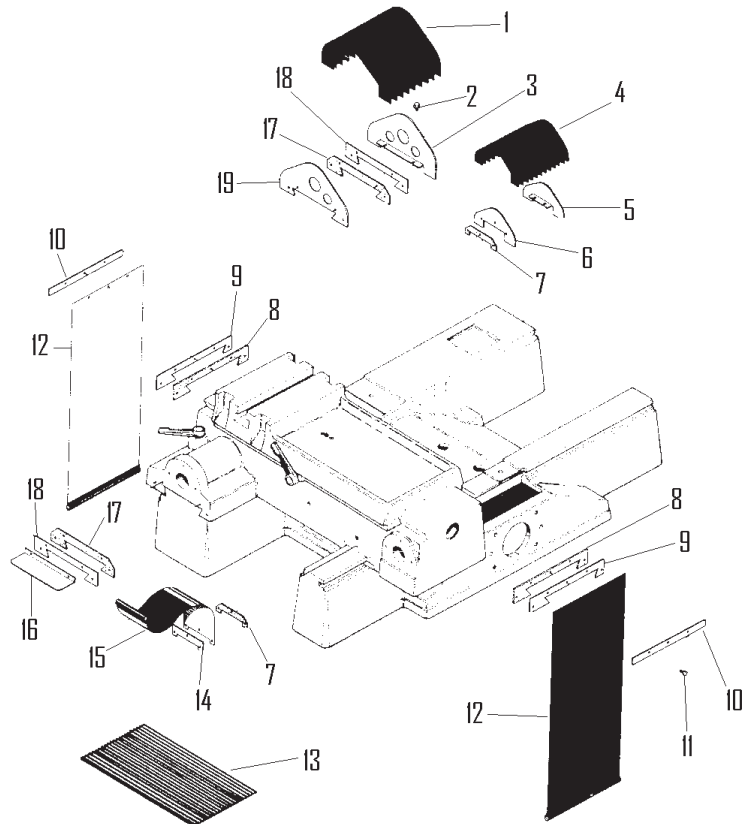


**6000, 6002 Limit Switch Assy**

Item	SVI #	OEM #	Req	Description
1	BL-10722	22588 / 922588	2	Cross Slide Rod
2	BL-10016	3084 / 903084 / 42024	6	Lock Screw
3	BL-10723	22589 / 922589	6	Adjustable Stop
4	BL-10030	3338 / 903338 / 42018	8	Set Screw
5	BL-10724	22591 / 922591	8	End Stop
6	BL-10725	22587 / 922587	2	Saddle Rod
7	BL-10726	22592 / 922592	2	Cross Slide Microswitch Bracket
8	BL-10727	11213 / 911213	8	Nut
9	BL-10728	21253 / 921253	2	Saddle Cover
10	BL-10729	20259 / 920259	4	Cord Grip
11	BL-10606	21986 / 921986	8	Self Tapping Screw w/washer
12	BL-10730	22603 / 922603	1	RH Limit Switch Wring Harness
	BL-10731	22602 / 922602	1	LH Limit Switch Wiring Harness
13	BL-10732	22585 / 922585	8	Socket Head Screw
14	BL-10733	22583 / 922583	4	Cord Grip
15	BL-10734	22582 / 922582	4	Microswitch
16	BL-10735	2189 / 902189	22	Hex Head Screw
17	BL-10736	22594 / 922594	2	Saddle Rod Bracket
18	BL-10514	4379 / 604379	4	Washer
19	BL-10737	22590 / 922590	2	Cross Slide Rod Bracket
20	BL-10738	22593 / 922593	2	Saddle Microswitch Bracket

**6000, 6002  
Dovetail Wipers & Covers**

Item	SVI #	OEM #	Req	Description
1	BL-10739	21279 / 921279	2	Front Cover
2	BL-10606	21986 / 921986	8	Self Tapping Screw w/Washer
3	BL-10740	21280 / 921280	2	Inner Front Cover
4	BL-10741	21271 / 921271	2	Inner Rear Cover
5	BL-10742	21272 / 921272	2	Cover Bracket
6	BL-10743	21270 / 921270	2	Inner, Rear Wiper Shield
7	BL-10744	21269 / 921269	4	Rear Wiper
8	BL-10745	21304 / 921304	4	Wiper
9	BL-10746	21303 / 921303	4	Wiper Shield
10	BL-10747	21302 / 921302	4	Cover Shield
11	BL-10748	21985 / 921985	48	Hex Head Self Tapping Screw
12	BL-10749	21305 / 921305	4	Dovetail Cover Assy
13	BL-10750	21731 / 921731	1	RH Cross Slide Mat
	BL-10751	21732 / 921732	1	LH Cross Slide Mat
14	BL-10752	21285 / 921285	2	Outer Wiper Shield
15	BL-10753	21282 / 921282	2	Outer, Rear Cover Assy
16	BL-10754	21288 / 921288	2	Outer Dovetail Cover
17	BL-10755	21277 / 921277	2	Front Wiper
18	BL-10756	21287 / 921287	4	Outer Wiper Shield
19	BL-10757	21278 / 921278	4	Inner Front Wiper Shield





**TERMS AND CONDITIONS OF THE  
SALES ORDER  
FOR SVI INTERNATIONAL, INC.**

1. **GENERAL.** The terms and conditions of sales order outlined herein shall apply to the sale by SVI INTERNATIONAL, INC. (hereinafter referred to as "Company") of the items described on the facing page (hereinafter referred to as "Merchandise") to Purchaser.
2. **DELIVERY.** Delivery shall be deemed to be complete when the Merchandise has been shipped F.O.B. Company's plants in DeKalb, Illinois, Duarte, California; and Baltimore, Maryland ("Company's plants"). Shipments are subject to delays from causes or contingencies beyond the reasonable control of the Company. When otherwise not specified, shipments will be made in standard containers via carrier which, in the judgment of the Company, will result in the most practical method. Title and right of possession will pass to the Purchaser upon receipt by the carrier at the shipping point. If a customer of the Company should specify a specific carrier's method of shipment (i.e. UPS Next Day Air) and that carrier does not perform to the customer's expectations, freight credit to a customer's account will not be issued unless the Company can first obtain a credit.
3. **RISK OF LOSS.** Identification of the Merchandise under Uniform Commercial Code (hereinafter referred to as "UCC") Section 2-501 shall take place at the moment of shipment F.O.B. Company's plants. Risk of loss shall pass to the Purchaser when the Merchandise is shipped from the Company's plants.
4. **TITLE.** Title to the merchandise shall transfer to the Purchaser when the Merchandise is shipped from the Company's plants.
5. **WARRANTIES.** The Company guarantees its products to be free from defects in workmanship and raw materials for a period of one year from date of purchase. THIS WARRANTY IS EXPRESSLY IN LIEU OF ANY AND ALL WARRANTIES EXPRESS OR IMPLIED. COMPANY DOES NOT WARRANT THE MERCHANDISE IS MERCHANTABLE OR FIT FOR ANY PARTICULAR PURPOSE. Company's liability for breach of the terms of this Agreement, including any warranty, is limited to either refund of the invoice price of the Merchandise or at Company's option, replacement of the Merchandise free of charge, including transportation charges but not including the cost of labor. Purchaser has not relied on any statement or upon the conduct of Company with respect to the prospective use of the merchandise. Company shall not be liable for and Purchaser waives any and all claims for any loss or damage, directly or indirectly, arising from the use of the Merchandise and for punitive, incidental or consequential damages, including, but not limited to, damages to property, for loss of use, loss of time, loss of profit or loss of income. The Company does not authorize the sale of our products under any other warranty, expressed or implied.
6. **SETOFF.** All claims for money due or to become due from the Company shall be subject to deduction by the Company for any setoff or counterclaim arising out of this or any other claims of the Company or its affiliated companies, whether such setoff or counterclaim arose before or after any assignment by Purchaser.
7. **INDEMNIFICATION.** Purchaser agrees to indemnify the Company and hold it harmless from and against all claims, liability, loss, damage or expense, including reasonable counsel fees, arising from or by reason of any modifications or alterations made by Purchaser. If a customer of the Company modifies or alters any part, in any manner whatsoever, or uses any part in departure from recommended performance specifications, said customer agrees to indemnify and hold the Company harmless from and against all liability and expenses based on damage to property or injury to or death of any person arising out of or attributable to such modified or altered part. Further, the Company will not accept any such modified or altered part for credit to a customer's account.
8. **FREIGHT POLICY.** Freight charges on individual orders less than \$3,000 in net value are prepaid and added to invoice or collect F.O.B. shipping point. Freight charges (standard ground service and continental US only) on individual orders more than \$3,000 net value are paid by the Company F.O.B. shipping point. Note: customers with C.O.D. terms are responsible for all carrier C.O.D. fees regardless of order net value.
9. **RETURN POLICY.** To return parts for credit or inspection Purchaser must first contact the Company to obtain a Return Goods Authorization number (RGA#). Once Purchaser has obtained an RGA# the parts can be returned freight prepaid only. The RGA# must be on the outside of the container in a highly visible location. All parts must be returned freight prepaid and the shipment must include a letter of explanation giving the specific reason for return including details as to the conditions under which the part or parts operated. Note: parts returned without an RGA#, freight collect or without written explanation may be refused. Parts which have been used in any way or manner, including any installation or incorporation into a lift or hoist, shall NOT be eligible for return whether or not an RGA has been assigned.
10. **RESTOCK CHARGE.** Returns are subject to up to twenty-five (25%) restocking charge. Refusals are subject to the same restocking charge plus the cost of outbound and return freight charges and/or fees incurred by the Company due to shipment refusal.
11. **PRICES AND PAYMENTS.** All prices are subject to change without notice. All prices are F.O.B. shipping point. The Company standard terms are net 30 days, C.O.D. company check, C.O.D. cash, VISA, MasterCard, Discover or American Express. However, if in the judgment of the Company, the financial condition of the Purchaser at any time does not justify shipment according to standard terms of payment, the Company may require full or partial payment in advance.
12. **INTERPRETATION.** This sales order is intended by the parties as a complete and exclusive statement of the terms of their agreement. It supersedes all prior agreements, written or oral. No course of prior dealings between the parties and no usage of the trade shall be relevant to supplement or explain any terms used in this sales order. Acceptance or acquiescence in a course of performance rendered under this purchase order shall not be relevant to determine the meaning of this sales order even though the accepting or acquiescing party has knowledge of the nature of the performance and opportunity for objection. Whenever a term defined by the UCC is used in this sales order the definition contained in the UCC shall control.
13. **MODIFICATION.** This sales order can be modified or rescinded only by a writing signed by both parties.
14. **WAIVER.** No claim or right arising out of a breach of this sales order can be discharged in whole or in part by a waiver or renunciation of the claim or right unless such waiver or renunciation is supported by consideration and is in writing signed by the aggrieved party.
15. **ASSIGNMENT.** No right or interest in this sales order shall be assigned by either party without the written consent of the other and no delegation of any obligation owed, or of the performance of any obligation by either the Company or Purchaser shall be made without the written consent of the other party. Any attempted assignment or delegation not made in conformity with this paragraph shall be wholly void and totally ineffective for all purposes.
16. **TIME TO PERFORM AND BRING ACTION.** Time is of the essence of this sales order. Any action for breach of this sales order shall be commenced within two (2) years after the cause of action has accrued. Any party who loses any litigation shall reimburse the other party for costs including reasonable attorneys fees. The exclusive jurisdiction for any legal action shall be the Circuit Court of DeKalb County, Illinois.
17. **APPLICABLE LAW.** This sales order shall be governed by the UCC of Illinois as effective and in force on the date of this sales order.