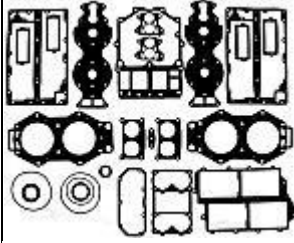
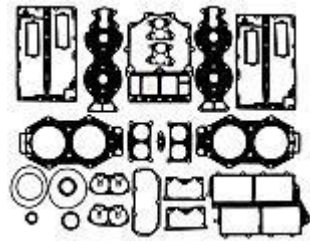
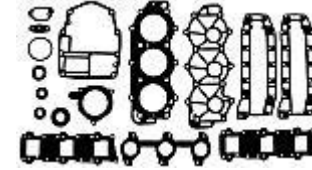
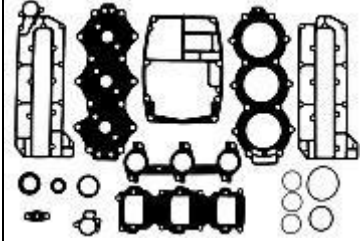
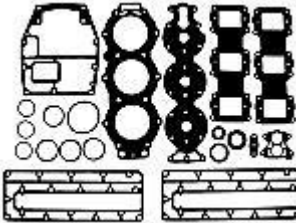
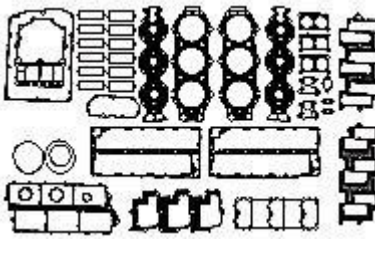
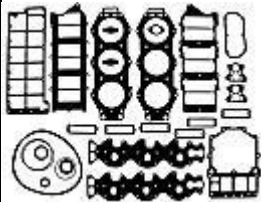
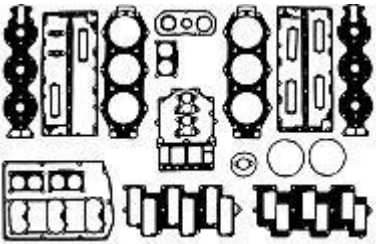
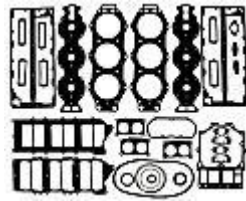
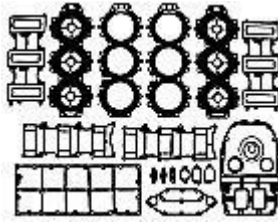
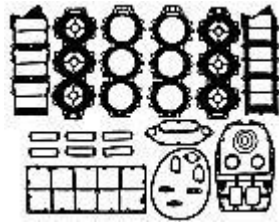


YAMAHA

DESCRIPTION	OEM NO.	OUR PART NO.	DISTRIBUTOR	DEALER
All descriptions are for reference only.				
Gasket kits contain crank seals.				
Power Head Kits				
V-4 1986+ Seals, O-rings	6F3-W0001-04	10-2120K		
V-4 2000+ 115 Hp +Seals, O-rings	6N6-W0001-A3	10-2122K		
3 Cyl. 40/50 Hp. 1884+ Seals, O-rings	6H4-W0001-01	10-2144K		
3 Cyl. 60/70 Hp + Seals, O-rings	6H3-W0001-00	10-2145K		
3 Cyl. 75-90 Hp. 1984 + Seals, O-rings	6H1-W0001-00	10-2157K		
V-6 90 Deg 1984-98 + Seals, O-rings	6G5-W0001-03	10-2849K		
V-6 90 Deg. HPDI	68F-W0001-01	10-2850K		
V-6 EXCELL + Seals, O-rings	6K7-W0001-04	10-2852K		
V-6 90 Deg.2000+ Seals, O-rings	67H-W0001-00	10-2854K		
V-6 76 Deg. Complete Kit + Seals, O-rings	61A-W0001-01	10-4400K		
200/225/250 76 Deg Kit 2001+	65L-W0001-00	10-4401K		





PART No. 10-2120K OEM No. 6F3-W0001-04  V-4 1986+ Seals, O-rings	PART No. 10-2122K OEM No. 6N6-W0001-A3  V-4 2000+ 115 Hp +Seals, Orings	PART No. 10-2144K OEM No. 6H4-W0001-01  3 Cyl. 40/50 Hp. 1884+ Seals, Orings	PART No. 10-2145K OEM No. 6H3-W0001-00  3 Cyl. 60/70 Hp + Seals, O-rings
---	--	--	---



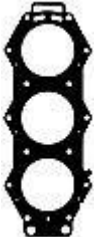

PART No. 10-2157K OEM No. 6H1-W0001-00  3 Cyl. 75-90 Hp. 1984 + Seals, O-rings	PART No. 10-2849K OEM No. 6G5-W0001-03  V-6 90 Deg 1984-98 + Seals, Orings	PART No. 10-2850K OEM No. 68F-W0001-01  V-6 90 Deg. HPDI	PART No. 10-2852K OEM No. 6K7-W0001-04  V-6 EXCELL + Seals, O-rings
--	--	---	---

PART No. 10-2854K OEM No. 67H-W0001-00  V-6 90 Deg.2000+ Seals, O-rings	PART No. 10-4400K OEM No. 61A-W0001-01  V-6 76 Deg. Complete Kit + Seals, O-rings	PART No. 10-4401K OEM No. 65L-W0001-00  200/225/250 76 Deg Kit 2001+
---	---	--

YAMAHA

DESCRIPTION	OEM NO.	OUR PART NO.	DISTRIBUTOR	DEALER
Head Gaskets				
3 Cyl. 90 Hp Head Gasket		10-3805		
40/50 hp 3/Cyl. Head Gasket	6H4-11181-A1	10-3830		
40/50 hp 3/Cyl. Head Gasket	63D-11181-A1	10-3830-1		
70 hp 3/Cyl. Head Gasket	6H3-11181-A1	10-3831		
V-4 Head Gasket	6E5-11181	10-3832		
V-6 Head Gasket 76 Deg.	69L-11181	10-3891		
V-6 Head Gasket 90 Deg. HPDI	68F-11181	10-3893		
V-6 Head Gasket 90 Deg.	6G5-11181	10-3894		

PART No. 10-3805	PART No. 10-3830 OEM No. 6H4-11181-A1	PART No. 10-3830-1 OEM No. 63D-11181-A1	PART No. 10-3831 OEM No. 6H3-11181-A1
			
3 Cyl. 90 Hp Head Gasket	40/50 hp 3/Cyl. Head Gasket	40/50 hp 3/Cyl. Head Gasket	70 hp 3/Cyl. Head Gasket

PART No. 10-3832 OEM No. 6E5-11181	PART No. 10-3891 OEM No. 69L-11181	PART No. 10-3893 OEM No. 68F-11181	PART No. 10-3894 OEM No. 6G5-11181
			
V-4 Head Gasket	V-6 Head Gasket 76 Deg.	V-6 Head Gasket 90 Deg. HPDI	V-6 Head Gasket 90 Deg.

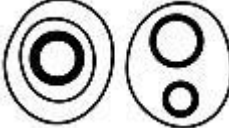

DESCRIPTION	OEM NO.	OUR PART NO.	DISTRIBUTOR	DEALER
Seal Kits				
90 Deg V4 / V6 Seal Kit		10-1734K		
76 Deg V-6 Seal Kit		10-1778K		
Individual Oil Seals				
Lower Oil Seal 40/50 84-90		10-2030		
Lower Oil Seal 40/50 84-90	93102-25M28	10-2031		
Lower Oil Seal 70-90 84+	93102-30M23	10-2032		
Upper Oil Seal 70-90 84+	93102-36M24	10-2033		

1600 W. Acoma Blvd. #18 / Lake Havasu City. AZ 86403 / (928) 680-4387 / Fax (928) 680-4388

gaskettech@citlink.net
www.gaskettechnology.com


YAMAHA

Oil Seal	93106-18M01	10-2075		
Oil Seal	93102-40M36	10-2087		
Oil Seal	93104-22M07	10-2091		
Oil Seal	93104-20M02	10-2219		
Oil Seal	93101-22M15	10-2220		
V4/6 Lower Seal	93102-35M13	10-2221		
V4/6 Upper Seal	93102-40M38	10-2222		
Oil Seal	93102-23096	10-570		

<p>PART No. 10-1734K</p>  <p>90 Deg V4 / V6 Seal Kit</p>	<p>PART No. 10-1778K</p>  <p>76 Deg V-6 Seal Kit</p>
---	---

<p>PART No. 10-2030</p>  <p>Lower Oil Seal 40/50 84-90</p>	<p>PART No. 10-2031 OEM No. 93102-25M28</p>  <p>Lower Oil Seal 40/50 84-90</p>	<p>PART No. 10-2032 OEM No. 93102-30M23</p>  <p>Lower Oil Seal 70-90 84+</p>	<p>PART No. 10-2033 OEM No. 93102-36M24</p>  <p>Upper Oil Seal 70-90 84+</p>
---	---	--	---

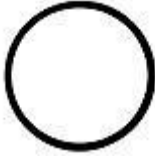
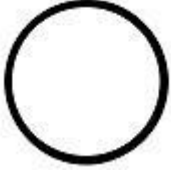


<p>PART No. 10-2075 OEM No. 93106-18M01</p>  <p>Oil Seal</p>	<p>PART No. 10-2087 OEM No. 93102-40M36</p>  <p>Oil Seal</p>	<p>PART No. 10-2091 OEM No. 93104-22M07</p>  <p>Oil Seal</p>	<p>PART No. 10-2219 OEM No. 93104-20M02</p>  <p>Oil Seal</p>
---	---	--	---

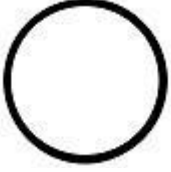
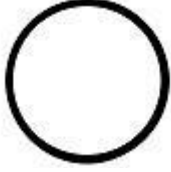
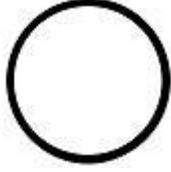
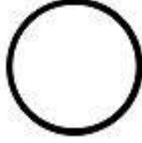
<p>PART No. 10-2220 OEM No. 93101-22M15</p>  <p>Oil Seal</p>	<p>PART No. 10-2221 OEM No. 93102-35M13</p>  <p>V4/6 Lower Seal</p>	<p>PART No. 10-2222 OEM No. 93102-40M38</p>  <p>V4/6 Upper Seal</p>	<p>PART No. 10-570 OEM No. 93102-23096</p>  <p>Oil Seal</p>
---	--	---	--

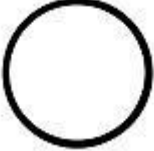
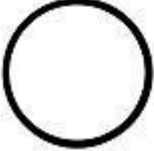
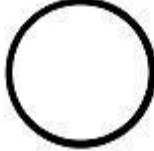
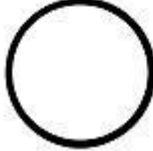
DESCRIPTION	OEM NO.	OUR PART NO.	DISTRIBUTOR	DEALER
Individual O-rings				
O-ring		10-2024		

YAMAHA

O-ring	93210-37M25	10-2223		
O-ring	93210-46M16	10-2225		
O-ring	93210-65M50	10-2226		
O-ring	93210-62269	10-2229		
90 Deg. V-6 O-Ring	93210-81MA6	10-2230		
90 Deg. V-6 O-Ring	93211-04384	10-2231		
O-ring	93210-57M09	10-256		
O-ring	93210-50MA8	10-7438		
O-ring	93210-54M54	10-7439		
O-ring	93210-81MA6	10-7443		
Carb Mount O-ring	93210-29ME4	10-9321		

PART No. 10-2024  O-ring	PART No. 10-2223 OEM No. 93210-37M25  O-ring	PART No. 10-2225 OEM No. 93210-46M16  O-ring	PART No. 10-2226 OEM No. 93210-65M50  O-ring
---	--	---	--


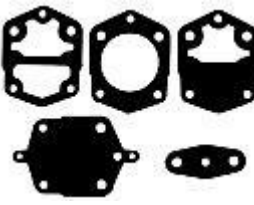


PART No. 10-2229 OEM No. 93210-62269  O-ring	PART No. 10-2230 OEM No. 93210-81MA6  90 Deg. V-6 O-Ring	PART No. 10-2231 OEM No. 93211-04384  90 Deg. V-6 O-Ring	PART No. 10-256 OEM No. 93210-57M09  O-ring
--	--	---	---

PART No. 10-7438 OEM No. 93210-50MA8  O-ring	PART No. 10-7439 OEM No. 93210-54M54  O-ring	PART No. 10-7443 OEM No. 93210-81MA6  O-ring	PART No. 10-9321 OEM No. 93210-29ME4  Carb Mount O-ring
--	--	---	---

DESCRIPTION	OEM NO.	OUR PART NO.	DISTRIBUTOR	DEALER
Fuel Pump Kits				
Fuel Pump Diaphragm Kit		10-2500K		

YAMAHA

Fuel Pump Diaphragm Kit	6E5-24411	10-2501K		
O2 Sensor Kit				
O2 Sensor Kit Fits All		10-1357K		
O2 Sensor gasket	65L-11357-00	10-1358		

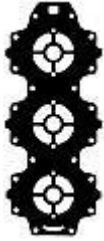




PART No. 10-2500K	PART No. 10-2501K OEM No. 6E5-24411	PART No. 10-1357K	PART No. 10-1358 OEM No. 65L-11357-00
			
Fuel Pump Diaphragm Kit	Fuel Pump Diaphragm Kit	O2 Sensor Kit Fits All	O2 Sensor gasket

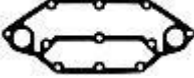

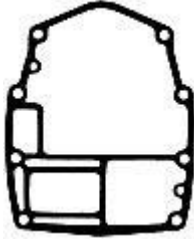


DESCRIPTION	OEM NO.	OUR PART NO.	DISTRIBUTOR	DEALER
Individual Gaskets				
76 Deg V-6 Head Cover		10-1193		
Intake Not OE Mat'l	65L-13645	10-1363		
Intake OE Mat'l	65L-13645	10-1363A		
Intake Not OE Mat'l	65L-13646	10-1364		
Intake OE Mat'l	65L-13646	10-1364A		
Block End Cvr	61A-11381	10-1381		
V-6 Thermostat Cover	61A-12414	10-1735		
40/50 Base	6H4-45113	10-1736		
Valve Seat	6H4-13621	10-1737		
Carb Mount	6H4-14198	10-1738		
Fuel pump	650-24431	10-1741		
Head Cover	6H4-11193	10-2233		
Head Cvr	63D-11193	10-2234		
O/SL Housing	6H4-15369	10-2235		
Exhaust	6H4-41112	10-2236		
Exhaust Cover	6H4-41114	10-2237		
60/70 HP Head Cvr	6H3-11193	10-2239		
Thermo Cvr 60/70 HP	6H3-12414	10-2240		
Valve Seat	6H3-13622	10-2241		
Carb Mount	6H3-14198	10-2242		
Exhaust	6H3-41112	10-2243		
Exhaust Cvr	6H3-41114	10-2244		
60/70 HP Base	6H3-45113	10-2245		
90HP Head Cover	688-11193	10-2246		
Thermo V4/V6	688-12414	10-2247		
Intake Manifold/Reed Plate	688-13621	10-2248		


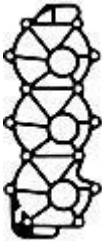
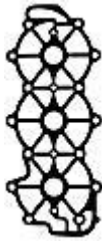

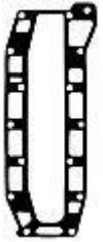
YAMAHA

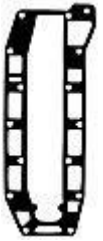




Carb Mount	688-14198	10-2249		
Exhaust cover	688-41112	10-2250		
Base	688-45113	10-2251		
V-4 Water jacket cvr	6E5-11193	10-2252		
V-4 Passage Cvr	6E5-11381	10-2253		
Reed Block	6E5-13621	10-2254		
V-4 Intake Manifold	6E5-13645	10-2255		
Carb base	6E5-14198	10-2256		
Air Box cvr	6G5-14416	10-2258		
V-4 Carb to airbox	6E5-14483	10-2259		
V-4 Exhaust Cvr	6E5-41112	10-2260		
Power Head Base	6G5-45113-A1	10-2261		
Water jacket gasket	6G5-11193	10-2262		
By-pass	6G5-11382	10-2263		
V-6 Intake Man	6G5-13645	10-2264		
Air Box Gasket	6G5-14416	10-2265		
Carb to air box	6G5-14483	10-2266		
Exhaust cover	6G5-41112	10-2267		
Reed	6K7-13621	10-2268		
V-6 90 Deg. HPDI 150-200 Hp Base	68F-45113	10-2269		
Thermostat Gasket	60V-12414-AO	10-2414		
80/100 Four stroke Thermostat Cvr	67F-12435	10-2435		
V-6 Reed 76 Deg.	61A-13621	10-3621		
Valve Seat Gasket	60V-13621-AO	10-3621-1		
V-6 76 Deg. Intake Manifold	61A-13645	10-3645		
V-6 76 Deg. Intake Manifold	61A-13646	10-3646		
V-6 76 Deg. Intake Manifold		10-3646A		
V-6 Exhaust Cover	61A-41112	10-4112		
V-6 Exhaust Cover HPDI	68F-41114	10-4114		
V-6 Head Cover HPDI	68F-11193-01	10-4116		
Water Passage Cover HPDI	68F-11381	10-4118		
Carb Base	6H4-14198	10-4198		
Float Bowl Gasket	64D-14384	10-4384		
Float Bowl Gasket V4/V6 1986-95	6E5-14384	10-4385		
Arrestor Cover	6K7-14483	10-4386		
Arrestor Cover 150-250 Hp	65L-14483	10-4483		
250 H/P 76 Deg. Base	61A-45113	10-4511		
Yam 250 HP 76 deg base		10-4511-1		
Crankcase Cover Gasket	6DO-15451-00	10-5451		
Crankcase Cover Gasket	6DO-15461-00	10-5461		
Crankcase Cover Gasket	6DO-15462-00	10-5462		
V-6 "Saltwater" Series 96+ Reed	64E-13645	10-641		
V-6 Outer Reed	6K7-13645-A1	10-645		
V-6 Inner Reed	6K7-13646-A1	10-646		

YAMAHA

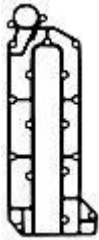
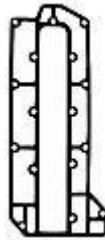
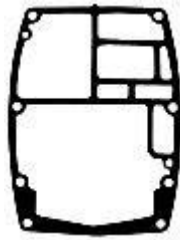


<p>PART No. 10-1193</p>  <p>76 Deg V-6 Head Cover</p>	<p>PART No. 10-1363 OEM No. 65L-13645</p>  <p>Intake Not OE Mat'l</p>	<p>PART No. 10-1363A OEM No. 65L-13645</p>  <p>Intake OE Mat'l</p>	<p>PART No. 10-1364 OEM No. 65L-13646</p>  <p>Intake Not OE Mat'l</p>	<p>PART No. 10-1364A OEM No. 65L-13646</p>  <p>Intake OE Mat'l</p>
--	--	---	--	---




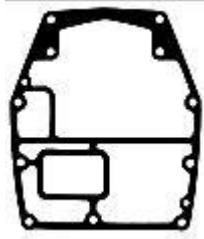

<p>PART No. 10-1381 OEM No. 61A-11381</p>  <p>Block End Cvr</p>	<p>PART No. 10-1735 OEM No. 61A-12414</p>  <p>V-6 Thermostat Cover</p>	<p>PART No. 10-1736 OEM No. 6H4-45113</p>  <p>40/50 Base</p>	<p>PART No. 10-1737 OEM No. 6H4-13621</p>  <p>Valve Seat</p>	<p>PART No. 10-1738 OEM No. 6H4-14198</p>  <p>Carb Mount</p>
--	---	---	---	---

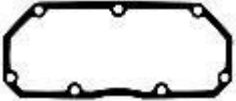
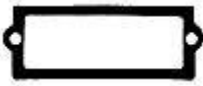
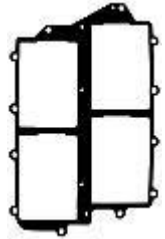

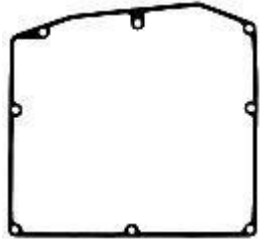
<p>PART No. 10-1741 OEM No. 650-24431</p>  <p>Fuel pump</p>	<p>PART No. 10-2233 OEM No. 6H4-11193</p>  <p>Head Cover</p>	<p>PART No. 10-2234 OEM No. 63D-11193</p>  <p>Head Cvr</p>	<p>PART No. 10-2235 OEM No. 6H4-15369</p>  <p>O/SL Housing</p>	<p>PART No. 10-2236 OEM No. 6H4-41112</p>  <p>Exhaust</p>
--	---	---	---	--

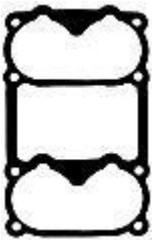

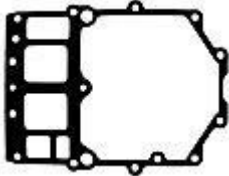


<p>PART No. 10-2237 OEM No. 6H4-41114</p>  <p>Exhaust Cover</p>	<p>PART No. 10-2239 OEM No. 6H3-11193</p>  <p>60/70 HP Head Cvr</p>	<p>PART No. 10-2240 OEM No. 6H3-12414</p>  <p>Thermo Cvr 60/70 HP</p>	<p>PART No. 10-2241 OEM No. 6H3-13622</p>  <p>Valve Seat</p>	<p>PART No. 10-2242 OEM No. 6H3-14198</p>  <p>Carb Mount</p>
--	--	--	---	---

YAMAHA

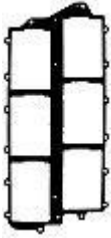
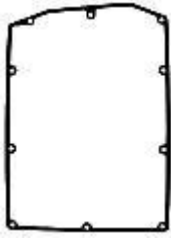
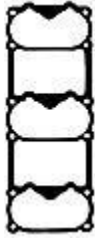


<p>PART No. 10-2243 OEM No. 6H3-41112</p>  <p>Exhaust</p>	<p>PART No. 10-2244 OEM No. 6H3-41114</p>  <p>Exhaust Cvr</p>	<p>PART No. 10-2245 OEM No. 6H3-45113</p>  <p>60/70 HP Base</p>	<p>PART No. 10-2246 OEM No. 688-11193</p>  <p>90HP Head Cover</p>	<p>PART No. 10-2247 OEM No. 688-12414</p>  <p>Thermo V4/V6</p>
--	--	--	--	---

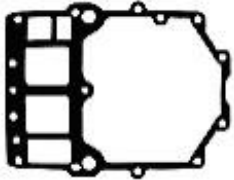




<p>PART No. 10-2248 OEM No. 688-13621</p>  <p>Intake Manifold/Reed Plate</p>	<p>PART No. 10-2249 OEM No. 688-14198</p>  <p>Carb Mount</p>	<p>PART No. 10-2250 OEM No. 688-41112</p>  <p>Exhaust cover</p>	<p>PART No. 10-2251 OEM No. 688-45113</p>  <p>Base</p>	<p>PART No. 10-2252 OEM No. 6E5-11193</p>  <p>V-4 Water jacket cvr</p>
---	---	--	---	---




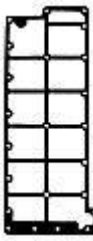

<p>PART No. 10-2253 OEM No. 6E5-11381</p>  <p>V-4 Passage Cvr</p>	<p>PART No. 10-2254 OEM No. 6E5-13621</p>  <p>Reed Block</p>	<p>PART No. 10-2255 OEM No. 6E5-13645</p>  <p>V-4 Intake Manifold</p>	<p>PART No. 10-2256 OEM No. 6E5-14198</p>  <p>Carb base</p>	<p>PART No. 10-2258 OEM No. 6G5-14416</p>  <p>Air Box cvr</p>
--	---	--	---	--


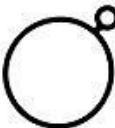



<p>PART No. 10-2259 OEM No. 6E5-14483</p>  <p>V-4 Carb to airbox</p>	<p>PART No. 10-2260 OEM No. 6E5-41112</p>  <p>V-4 Exhaust Cvr</p>	<p>PART No. 10-2261 OEM No. 6G5-45113-A1</p>  <p>Power Head Base</p>	<p>PART No. 10-2262 OEM No. 6G5-11193</p>  <p>Water jacket gasket</p>	<p>PART No. 10-2263 OEM No. 6G5-11382</p>  <p>By-pass</p>
---	--	---	--	--

YAMAHA

PART No. 10-2264 OEM No. 6G5-13645  <p>V-6 Intake Man</p>	PART No. 10-2265 OEM No. 6G5-14416  <p>Air Box Gasket</p>	PART No. 10-2266 OEM No. 6G5-14483  <p>Carb to air box</p>	PART No. 10-2267 OEM No. 6G5-41112  <p>Exhaust cover</p>	PART No. 10-2268 OEM No. 6K7-13621  <p>Reed</p>
--	--	---	---	--

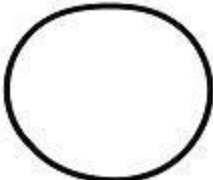
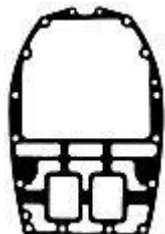
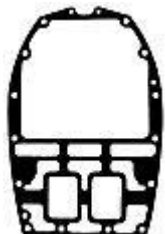


PART No. 10-2269 OEM No. 68F-45113  <p>V-6 90 Deg. HPDI 150-200 Hp Base</p>	PART No. 10-2414 OEM No. 60V-12414-AO  <p>Thermostat Gasket</p>	PART No. 10-2435 OEM No. 67F-12435  <p>80/100 Four stroke Thermostat Cvr</p>	PART No. 10-3621 OEM No. 61A-13621  <p>V-6 Reed 76 Deg.</p>	PART No. 10-3621-1 OEM No. 60V-13621-AO  <p>Valve Seat Gasket</p>
--	--	---	--	--

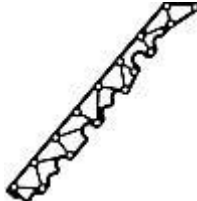



PART No. 10-3645 OEM No. 61A-13645  <p>V-6 76 Deg. Intake Manifold</p>	PART No. 10-3646 OEM No. 61A-13646  <p>V-6 76 Deg. Intake Manifold</p>	PART No. 10-4112 OEM No. 61A-41112  <p>V-6 Exhaust Cover</p>	PART No. 10-4114 OEM No. 68F-41114  <p>V-6 Exhaust Cover HPDI</p>	PART No. 10-4116 OEM No. 68F-11193-01  <p>V-6 Head Cover HPDI</p>
---	---	---	--	--

PART No. 10-4118 OEM No. 68F-11381  <p>Water Passage Cover HPDI</p>	PART No. 10-4198 OEM No. 6H4-14198  <p>Carb Base</p>	PART No. 10-4384 OEM No. 64D-14384  <p>Float Bowl Gasket</p>	PART No. 10-4385 OEM No. 6E5-14384  <p>Float Bowl Gasket V4/V6 1986-95</p>	PART No. 10-4386 OEM No. 6K7-14483  <p>Arrestor Cover</p>
--	---	---	--	--

PART No. 10-4483 OEM No. 65L-14483	PART No. 10-4511 OEM No. 61A-45113	PART No. 10-4511-1	PART No. 10-5451 OEM No. 6DO-15451-00	PART No. 10-5461 OEM No. 6DO-15461-00
---------------------------------------	---------------------------------------	--------------------	--	--

YAMAHA

				
Arrestor Cover 150-250 Hp	250 H/P 76 Deg. Base	250 H/P 76 Deg. Base	Crankcase Cover Gasket	Crankcase Cover Gasket

PART No. 10-5462 OEM No. 6DO-15462-00	PART No. 10-641 OEM No. 64E-13645	PART No. 10-645 OEM No. 6K7-13645-A1	PART No. 10-646 OEM No. 6K7-13646-A1
			
Crankcase Cover Gasket	V-6 "Saltwater" Series 96+ Reed	V-6 Outer Reed	V-6 Inner Reed

APPLICATION

Gasket and Seal Kits

HP	Year	Cyl.	Gasket Kit	Head	Seal Kit	Fuel Pump
70	1970-73, 1979-80	3	10-2874K	10-369	10-1101K	10-7806K
70	1991-95 Single Carb	3	10-2874-1K	10-369	10-1101K	10-7806K
70	1999	3	10-2874-2K	10-369	10-1101K	10-7806K
75	1974-79	3	10-2874K	10-369	10-1101K	10-7806K

1600 W. Acoma Blvd. #18 / Lake Havasu City. AZ 86403 / (928) 680-4387 / Fax (928) 680-4388

gaskettech@citlink.net

www.gaskettechnology.com

YAMAHA

75	1980-83	3	10-2874K	10-369	10-1101K	10-7806K
75	1969-98	3	10-2874-4K	10-369	10-1101K	10-7806K
75	1969-98 Single Carb	3	10-2874-1K	10-369	10-1102K	10-7806K
75	1999	3	10-2874-3K	10-369	10-1102K	10-7806K
85	1970-73, 1977-79	3	10-2874K	10-369	10-1102K	10-7806K
85	1980-89	3	10-2874K	10-369	10-1101K	10-7806K
90	1974-77	3	10-2874K	10-369	10-1101K	10-7806K
90	1983, 1989-90	3	10-2874K	10-369	10-1101K	10-7806K
90	1991-94	3	10-2874-2K	10-369	10-1101K	10-7806K
90	1995-99	3	10-2874-3K	10-369	10-1102K	10-7806K
100	1979-81, 1983	4	10-2875K	10-476	10-1101K	10-7806K
105	1972-78	4	10-2875K	10-476	10-1101K	10-7806K
105	1982, 1979-1983	4	10-2875K	10-476	10-1101K	10-7806K
115	1977-83	4	10-2875K	10-476	10-1101K	10-7806K
120	1971-77	4	10-2875K	10-476	10-1101K	10-7806K
120	1989-98	4	10-2875K	10-476	10-1101K	10-7806K
120	1995+	4	10-2875K	10-476	10-1102K	10-7806K
120	1969-99	4	10-2875-1K	10-476	10-1102K	10-7806K
125	1983+	4	10-2875K	10-476	10-1101K	10-7806K
135	1974-77	4	10-2875K	10-476	10-1101K	10-7806K
140	1978-83	4	10-2875K	10-476	10-1101K	10-7806K
150	1989-94	5	---	---	10-1101K	10-7806K