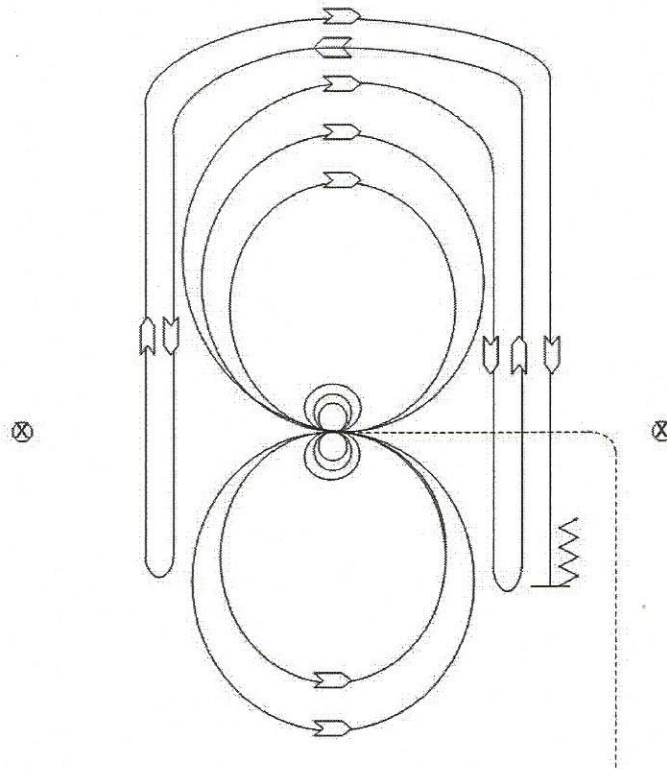


non pro limited + green

Stock Horse Reining

Pattern #1



Mandatory Markers:

The judge shall indicate with markers on arena fence the center of the pattern.

Ride Pattern as Follows:

1. Trot to center of arena and stop.
2. Complete three spins in each direction.
3. Begin on right lead and lope two large circles to the right, change leads.
4. Lope two large circles to the left, change leads.
5. Begin a large circle to the right but do not close this circle. Run down the right side of the arena past the center marker and do a left roll back at least 20 feet from the wall or fence, no hesitation.
6. Continue back around the previous circle but do not close this circle. Run down the left side of the arena past the center marker and do a right roll back at least 20 feet from the wall or fence, no hesitation.
7. Continue back around previous circle but do not close this circle. Run down the right side of the arena past the center marker and do a sliding stop at least 20 feet from the wall or fence. Back up at least 10 feet. Hesitate to show completion of pattern.