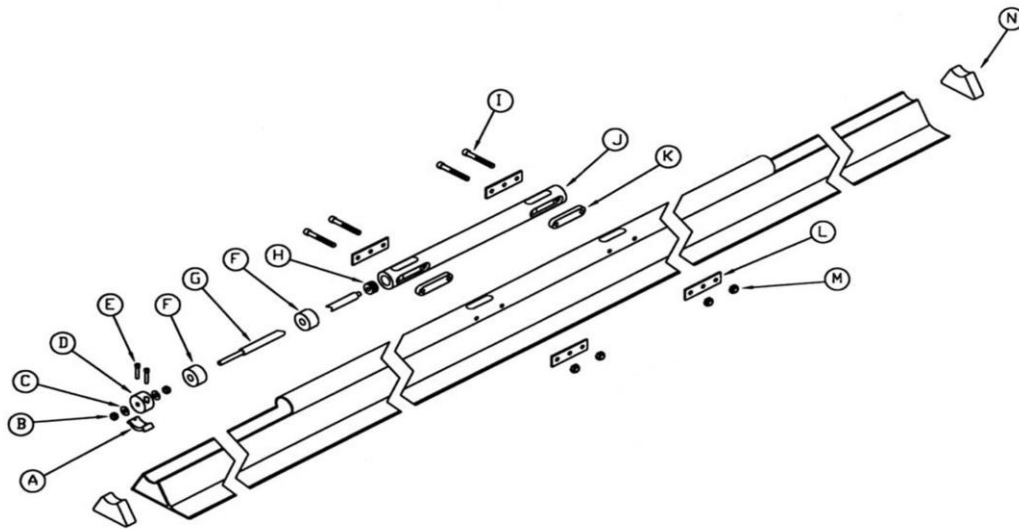


F4 Float Parts



Part#	Description	Item Reference
FM3026	Triangle Rubber end Molds	N
FM3028	Mounting Cylinder End Plug	H
FM3031	SHCS ¼-20	E
FM3033	5/16" Flat Washer	C
FM3034	3/8"-16 Nylock Nut	M
FM3042	Saddle Washer	L
FM3044	3/8"-16 x 2 ½" Socket Set Screw	I
FM3045	Mounting Cylinder	J
FM3048	Hardened Mounting Cylinder Wedge	K
FM3049	Upper/Lower Adjusting Stop	A&D
FB4508	8' Adjusting Rod	G
FB4510	10' Adjusting Rod	G
FB4512	12' Adjusting Rod	G
FB4514	14' Adjusting Rod	G
FB4508	16' Adjusting Rod	G
TL015	3/8"-16 Flat Head Nut	B
TL033	Rubber End Seal	F

For pricing and a dealer near you, call Lindley, Inc. @ 800-788-5997