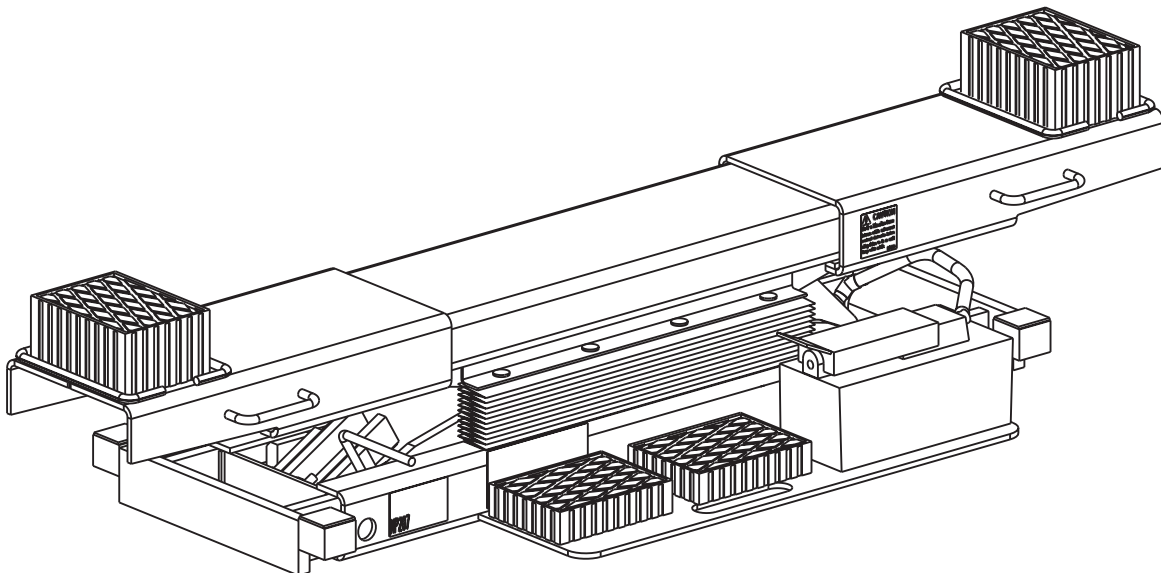




RJ4500/RJ4501/RJ6000/RJ6000-R

RJ4500 Capacity 4,500 lbs.

RJ6000 Capacity 6,000 lbs.



PARTS BREAKDOWN

IMPORTANT: When ordering parts or requesting service always give exact model and power unit serial number. Model number is shown on nameplate attached to air lock release valve. Power unit serial number is located on side of power unit.

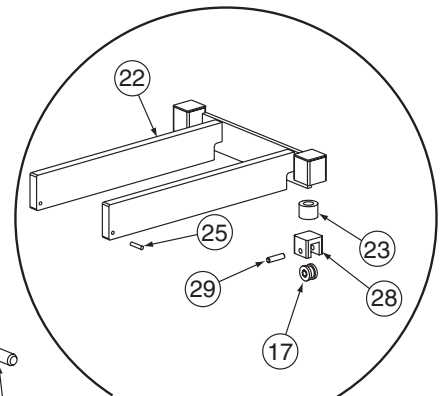
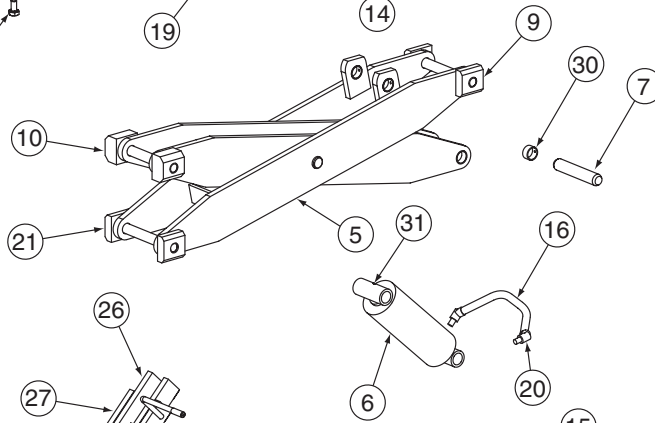
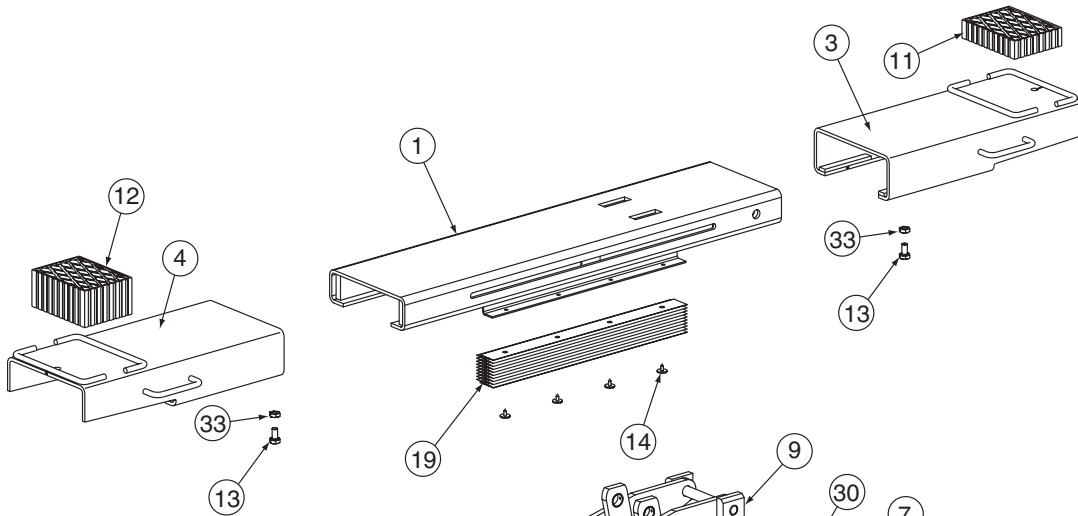
<p>OWNERS RECORD Complete information at right and keep in a safe place.</p>	Date Installed _____
	Installed in Bay # _____
	Power Unit Serial # _____
	Power Unit Model # _____
	Lift Serial # _____
	Lift Model # _____

NOTE: For replacement parts -See your nearest Rotary Parts Distributor.

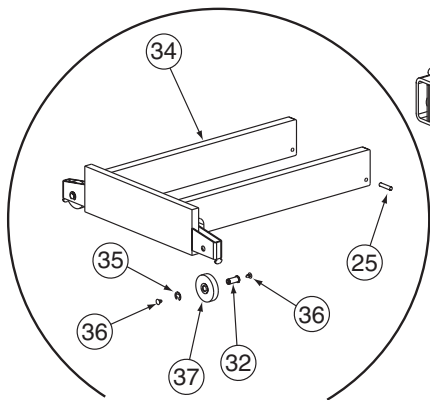
PB25-2-1-8
Rev. J 09/05/2003

ITEM	DESCRIPTION	PART #
1	Top Channel Weldment	SB300014
2	Bottom Channel Weldment	SB300005
3	Right Hand Sliding Adapter	SB300012
4	Left Hand Sliding Adapter	SB300010
5	Link Weld	SB300008
6	Hydraulic Cylinder	FC5642
7	Upper Cylinder Pin	FC5639
8	Lower Cylinder Pin	FC5640
9	Narrow Slider	FC5185-68
10	Wide Slider	FC5185-67
11	1-1/2" Tall Rubber Auxiliary Adapter	FJ2427
12	3" Tall Rubber Auxiliary Adapter	FJ2428
13	3/8"-16NC x 3/4" Lg. HHCS Grade 2 Plated	40130
14	Pinetree Retainer	FC5185-69
15	Pump	
	RJ4500 & RJ4501	FC5948 or FC5964*
	RJ6000 & RJ6000-R	FC5889 or FC5965*
16	Hose	FC5657-4
17	Roller	FC5895-8
18	M8 1.25mm x 20mm Lg. HHCS	41462
19	Bellows	FC5144-1
20	Elbow Adapter	FC5185-45
21	Narrow Tall Slider	SB700006
22	Telescoping End Weld	SB300018
23	Spring	FC5895-6
24	Pin	FC5630
25	1/4" x 1"Lg. Roll Pin	14420
26	Long Dog Weldment	FC5634
27	Short Dog Weldment	SB300009
28	Axle Support	FC5895-7
29	Axle	FC5895-10
30	Sleeve Bearing	FC5185-57
31	1/4"-20NC Set Screw	40042
32	Wheel Pin	SB700004
33	3/8"-16NC Hex Nylon Insert Locknut	40657
34	Telescoping End Weld	SB300017
35	Wheel Clip	SB700002
36	Bumper	SB700001
37	Urethane Wheel	SB700005


***NOTE: Two different pumps were used. Look on pump to determine which one you have.**



**RJ4500/RJ6000-R
END ASSEMBLY**



**RJ4501/RJ6000
END ASSEMBLY**

World Headquarters:
Rotary Lift
A  **DOVER** COMPANY
2700 Lanier Drive
Madison, Indiana USA
Phone: 1.800.445.5438
Phone: 1.812.273.1622
Fax: 1.800.578.5438
Fax: 1.812.273.6502
userlink@rotarylif.com
www.rotarylif.com

Italy:
(Regional Sales Office)
Rotary Lift Europe S.r.l.
Cadriano (BO)
Phone: +39.051.763384
Fax: +39.051.763395
info@rotaryeurope.com

Germany:
(European Sales Headquarters)
Rotary Lift Germany GmbH
Bensheim
Phone: +49.6251.582.6420
Fax: +49.6251.582.6422
sales@rotarylif.de

United Kingdom:
(Regional Sales Office)
Rotary Lift (UK) LTD.
Halstead, Essex
Phone: +44.178.747.7711
Fax: +44.178.747.7720
sales@rotarylif.idps.co.uk

Canada:
(Regional Sales Office)
Rotary Lift Canada
Mississauga, Ontario
Phone: 905.812.9920
Fax: 905.812.9719
canada@rotarylif.com

Austral-Asia:
(Regional Sales Office)
Rotary Lift Austral/Asia
Petaling Jaya, Malaysia
Phone: +60.3.7660.0285
Fax: +60.3.7660.0289
rlim@rotarylif.com

