

Farenhyt

SD500-ANM

Addressable Notification Module

The SD500-ANM gives you the flexibility to add notification circuits wherever you need them. The SD500-ANM is a supervised addressable notification device that provides you with additional notification circuits on the control panel SLC loop. Up to 127 SD500-ANM modules per loop can be used. The SD500-ANM provides a reverse polarity Class A or Class B notification appliance circuit, with supervised aux power input. Each SD500-ANM is provided power from a separate power supply and is controlled by the main panel. Power can be provided near the signaling appliance to reduce the wire gauge requirements. Power can also come from a main power supply and be controlled separately by the individual notification modules. The SD500-ANM can produce all 16 of the notification patterns available on the fire alarm control panel.

Features

- Class A (Style Z) or Class B (Style Y) Notification Circuit.
- Flexible programming—choose the cadence pattern (twelve standard & four user-defined).
- Polling LED visible through cover plate.
- UL listed, complies with NFPA 72.
- CFSM approved.
- MEA approved.
- Adds up to 127 independent output circuits on each SLC loop.
- Supervised auxiliary power input.
- Completely supervised.

Specifications

Operating Voltage:	24 VDC
SLC Current:	.55 mA
Aux. Power Current:	
Alarm:	56 mA
Standby:	6 mA
Notification Appliance Current:	2 Amp max.
Operating Temperature:	32°F to 120°F (0°C to 49°C)
Mounting:	4-square

Compatible Control Panels

IFF-1000

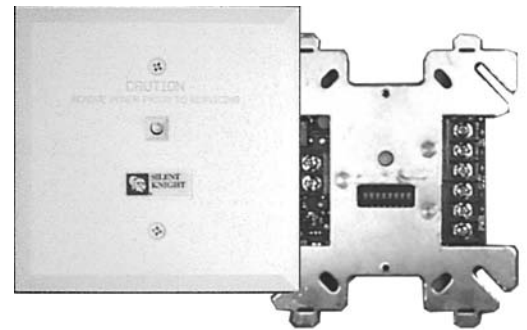
IFF-100

Adds notification circuits to the SLC loop



MEA

429-92-E, Vol. 9



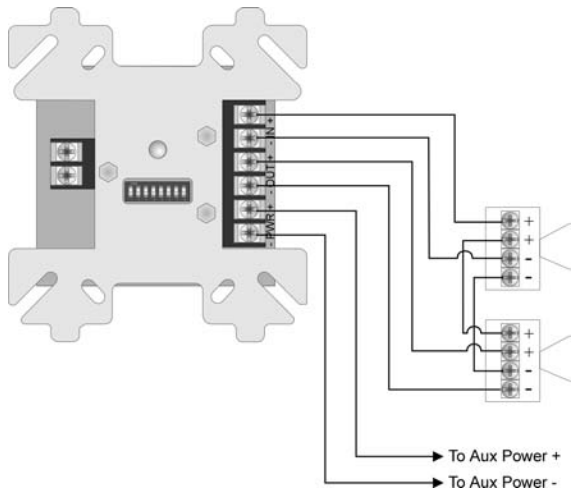
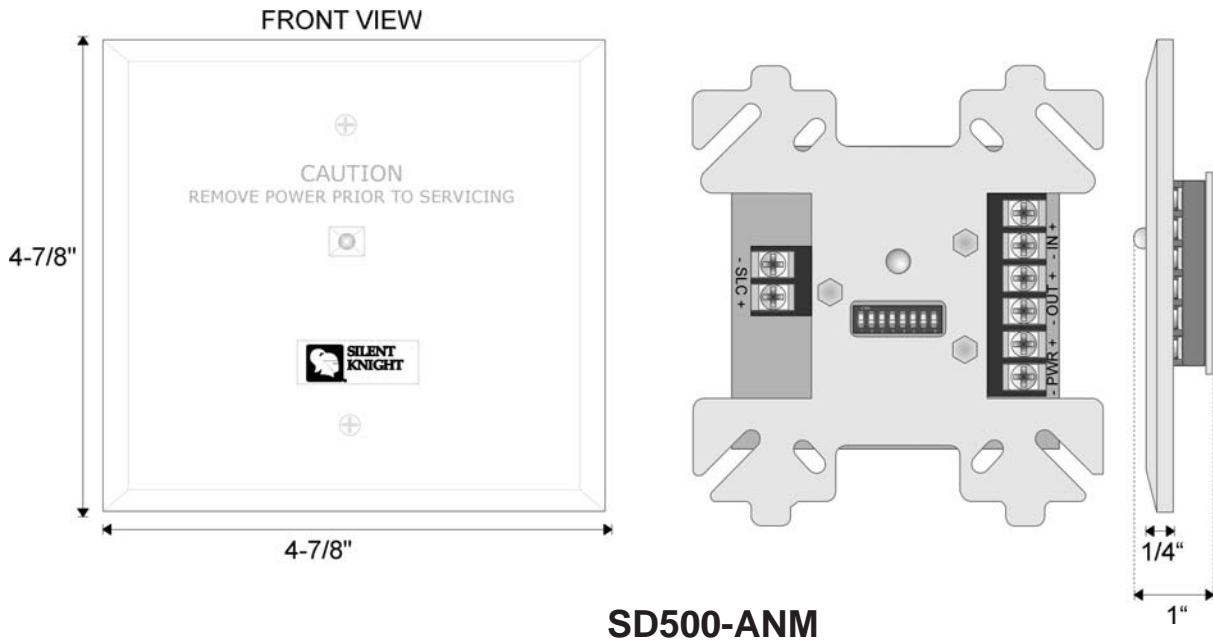
**SILENT
KNIGHT**

by Honeywell

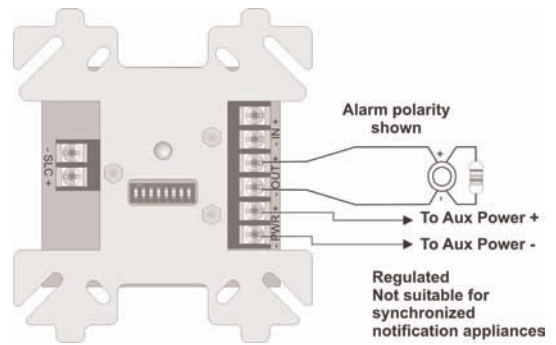
7550 Meridian Circle
Maple Grove, MN 55369-4927
1-800-328-0103
763-493-6455 (in Minnesota)
Fax: 763-493-6475
<http://www.farenhyt.com>

P/N 350221 Rev B, 10/04
Copyright © 2004 Silent Knight

Dimensions



Class A Wiring



Class B Wiring