

Supra® Series - S9 (with Standby)
Truck Refrigeration Unit
Generic Parts Manual



SUPRA
SERIES

62-12188





Supra[®] Series - S9 (with Standby)
Truck Refrigeration Unit
Generic Parts Manual



TRANSICOLD

Service Parts List Supra Series - S9 (with Standby)

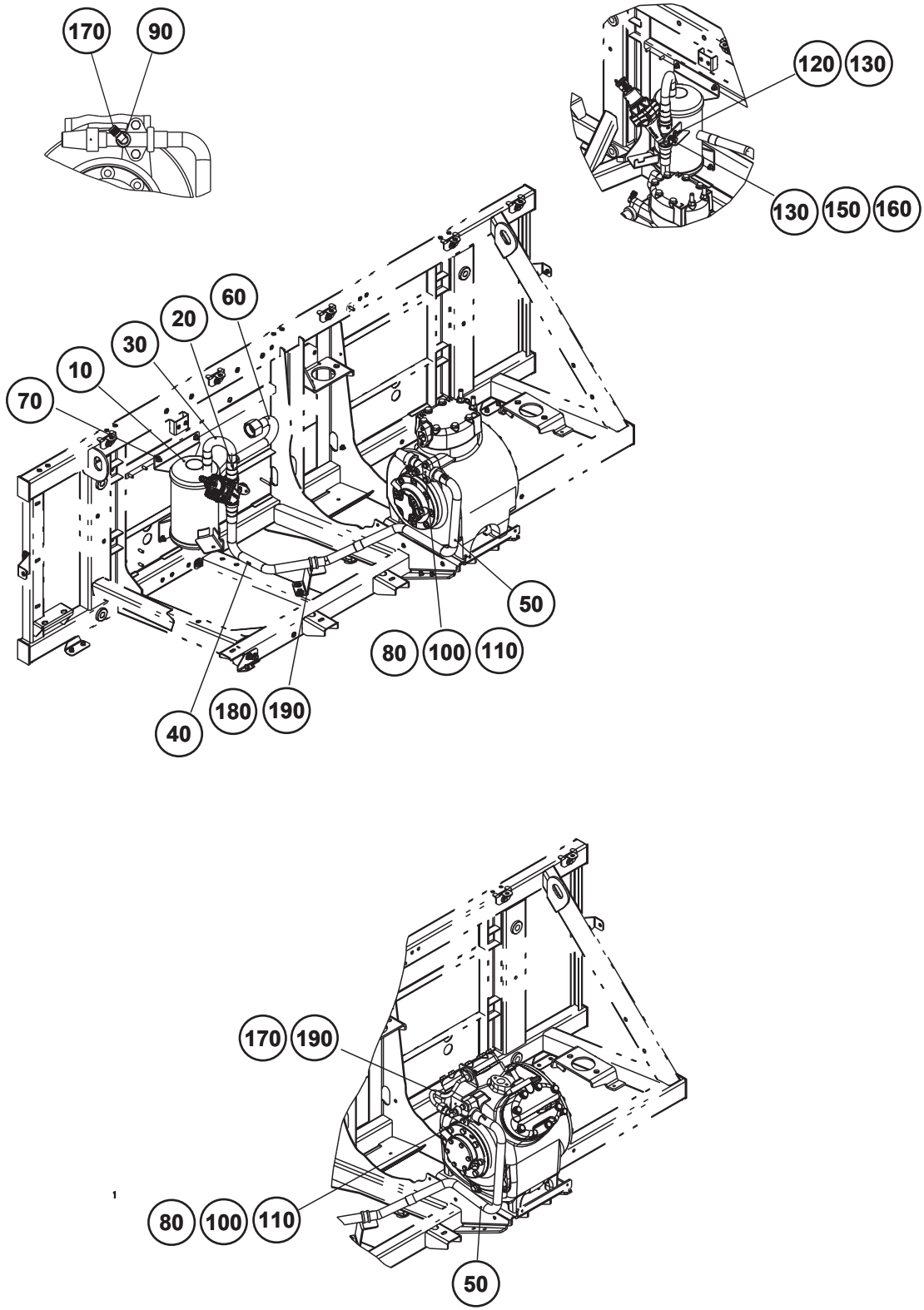
Table of Contents

Accumulator Kit	1
Air Filter Kit	3
Condenser Kit	4
Coolant Kit	8
Drive Kit, Standby Only	10
Electrical Kit	12
Control Box, S7/8/9 PRM NAO	16
Control Box Assembly	19
Controller Assembly, MCA	20
Controller Assembly, SIOB	21
Controller Assembly, TPC	22
Panel Assembly, Phase Reversal	23
Box Assembly, Standby, 208 - 230 V	24
Harness, Box, NDTP (Parts list only)	25
Fuse Kit (Parts list only)	26
Evaporator Kit	27
Exhaust Kit	31
Frame Kit	32
Fuel System Kit	36
Heater Kit	38
Label Kit	41
Oil System Kit	42
Package Kit	44
Refrigerant Kit	45
Skins Kit	46
Standby Plug	48

NOTE: This parts list was based on data as of February 2021 and is to be used for *reference only*. Parts and other information contained in this list may have changed since this list was published. As such, Carrier Transicold cannot be liable for parts ordered in error based on outdated information. For the most current parts available, contact the Performance Parts Group (PPG) Customer Response Center Monday through Friday 8am to 6pm EST at 1-800-255-7382 or email at ppg.customerservice@carrier.com.

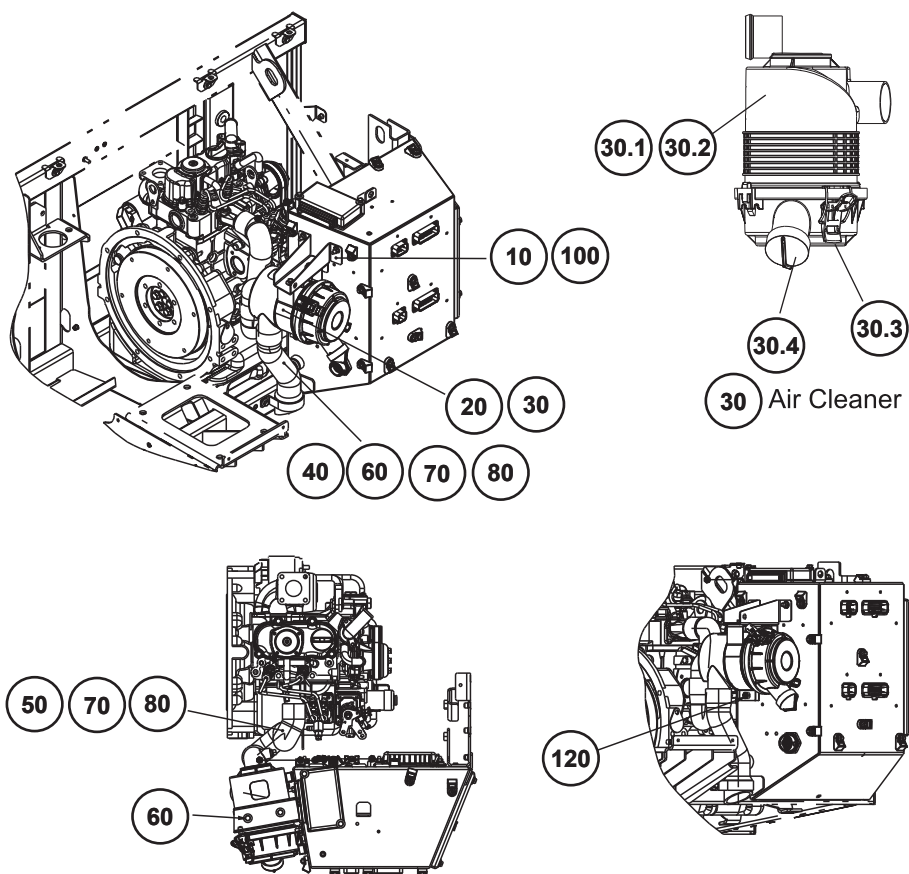
Carrier Transicold reserves the right to discontinue or change, at any time, specifications or designs without notice and without incurring obligations. Care was taken to make the information contained herein as accurate as possible. We do not guarantee, however, that the catalog is free from errors. As such, prior to ordering, please provide your Carrier Transicold dealer with your unit's serial number to verify its specific parts requirements.

Accumulator Kit



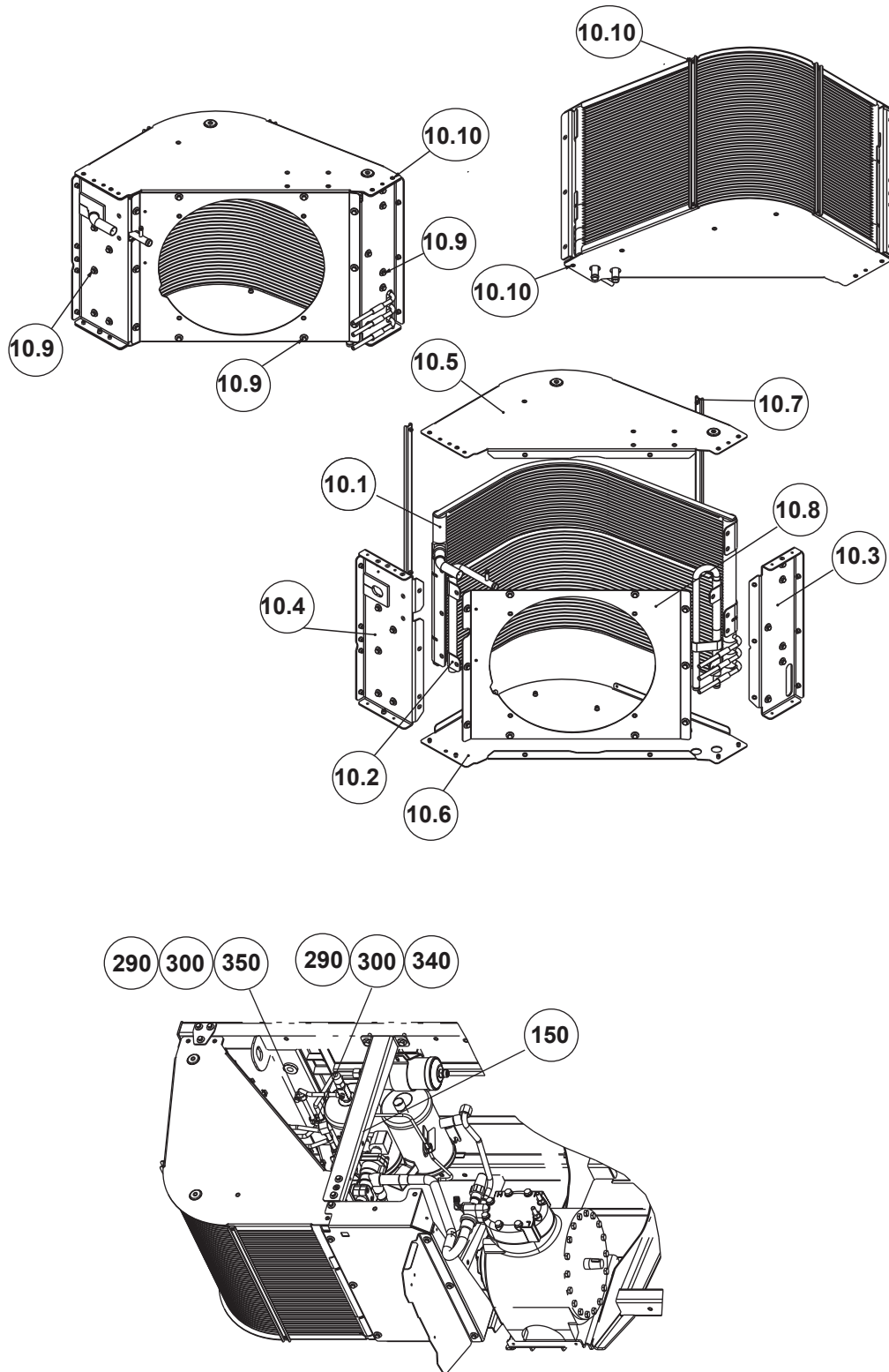
Item Number	Part Number	Part Description	Quantity
10	65-60103-01	Accumulator	1
20	14-00410-04	Valve, Solenoid, SMV	1
30	56-61971-00	Tube, Accumulator, 7/8 x 0.039	1
40	56-70057-01	Tube, 7/8 x 0.039	1
50	56-70082-00	Tube, 7/8 x 0.039	1
60	81-60927-00	Tube, Suction	1
70	34-60089-06	Nut, Lock, M6	4
80	14-00430-02	Valve, 7/8 Tube	1
90	40-00102-04	Elbow, 90 Street, 1/4 MFL x 1/4 MPT	1
100	17-44138-00	Gasket, Discharge Valve	1
110	34-00302-16	Screw, Cap, Hex Head, 5/16 - 18 x 2.00	2
120	34-01152-10	Screw, Cap, Hex Head, M6 x 10mm	1
130	34-60095-27	Washer, Lock, M6 x 14mm	2
150	44-60010-00	Clamp, Tube, 1/4	1
160	34-01336-25	Screw, Cap, Hex Head, M6 x 25mm	1
170	40-00086-04	Cap, Seal, 1/4 Female Flare	1
180	44-60044-60	Clamp, 7/8 Cushion	1
190	34-60068-20	Screw, Captive Washer, M6 x 20mm	1

Air Filter Kit

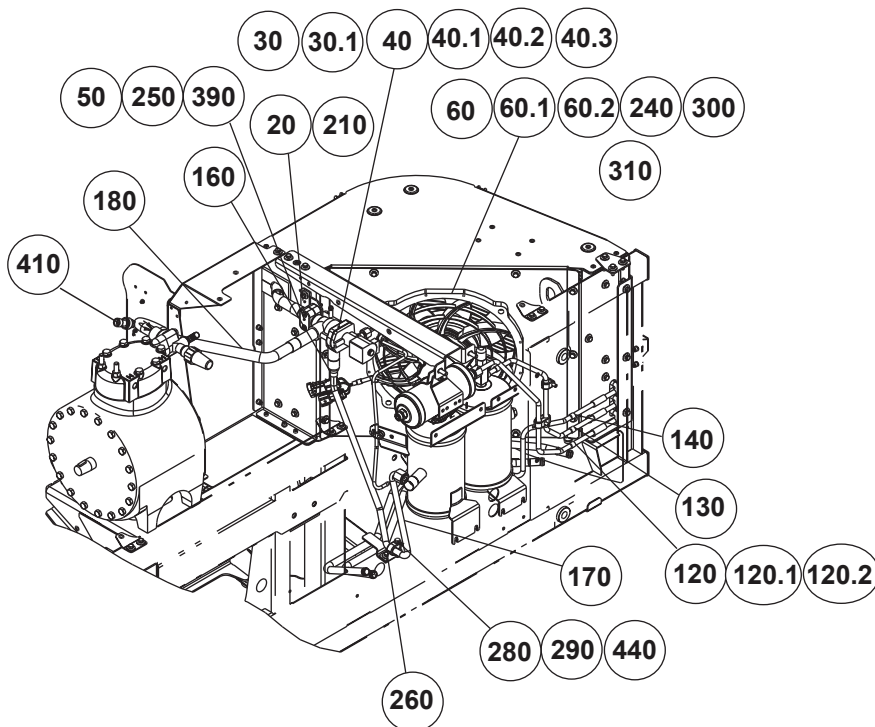
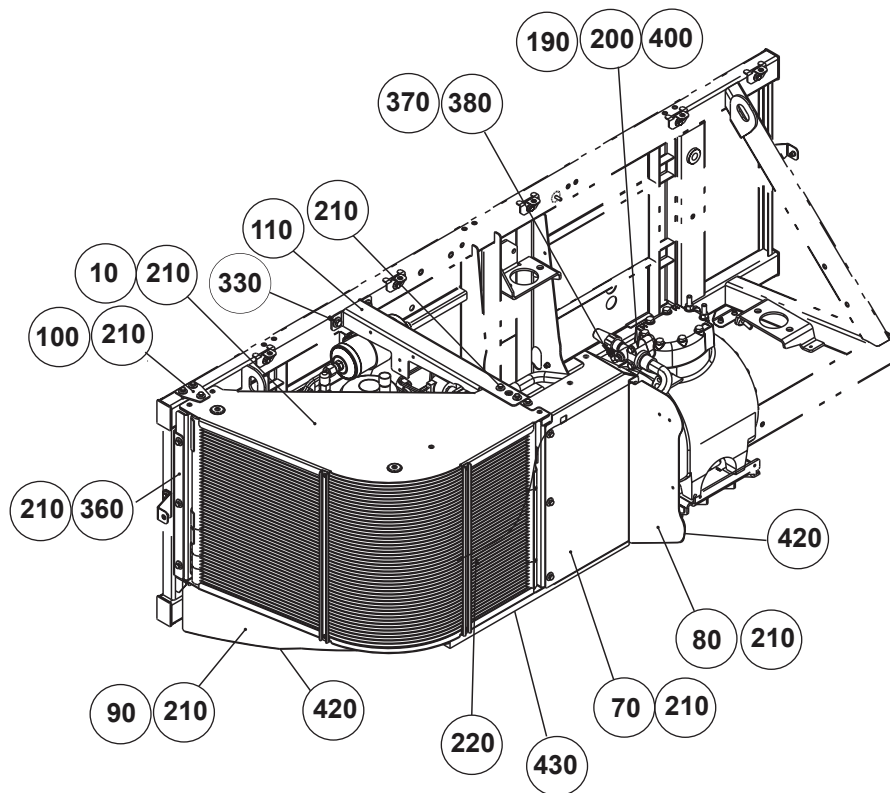


Item Number	Part Number	Part Description	Quantity
10	86-61509-00	Bracket Assembly	1
20	30-60149-00	Clamp, Air Cleaner	1
30	30-60148-00	Air Cleaner	1
30.1	30-60148-20	Filter, Air	1
30.2	30-60148-21	Cover Assembly	1
30.3	30-60148-22	Latch and Spring Assembly	1
30.4	30-60148-23	Valve, Kazoo	1
40	58-70057-00	Hose, 44.5 x 5 W	1
50	58-70024-00	Hose	1
60	34-60068-20	Screw, Captive Washer, M6 x 20mm	3
70	44-60045-10	Clamp, Hose	3
80	58-60668-01	Protector, Hose Clamp End	3
100	34-60089-06	Nut, Lock, M6	3
120	34-60152-00	Screw, HM8, 25mm	1

Condenser Kit



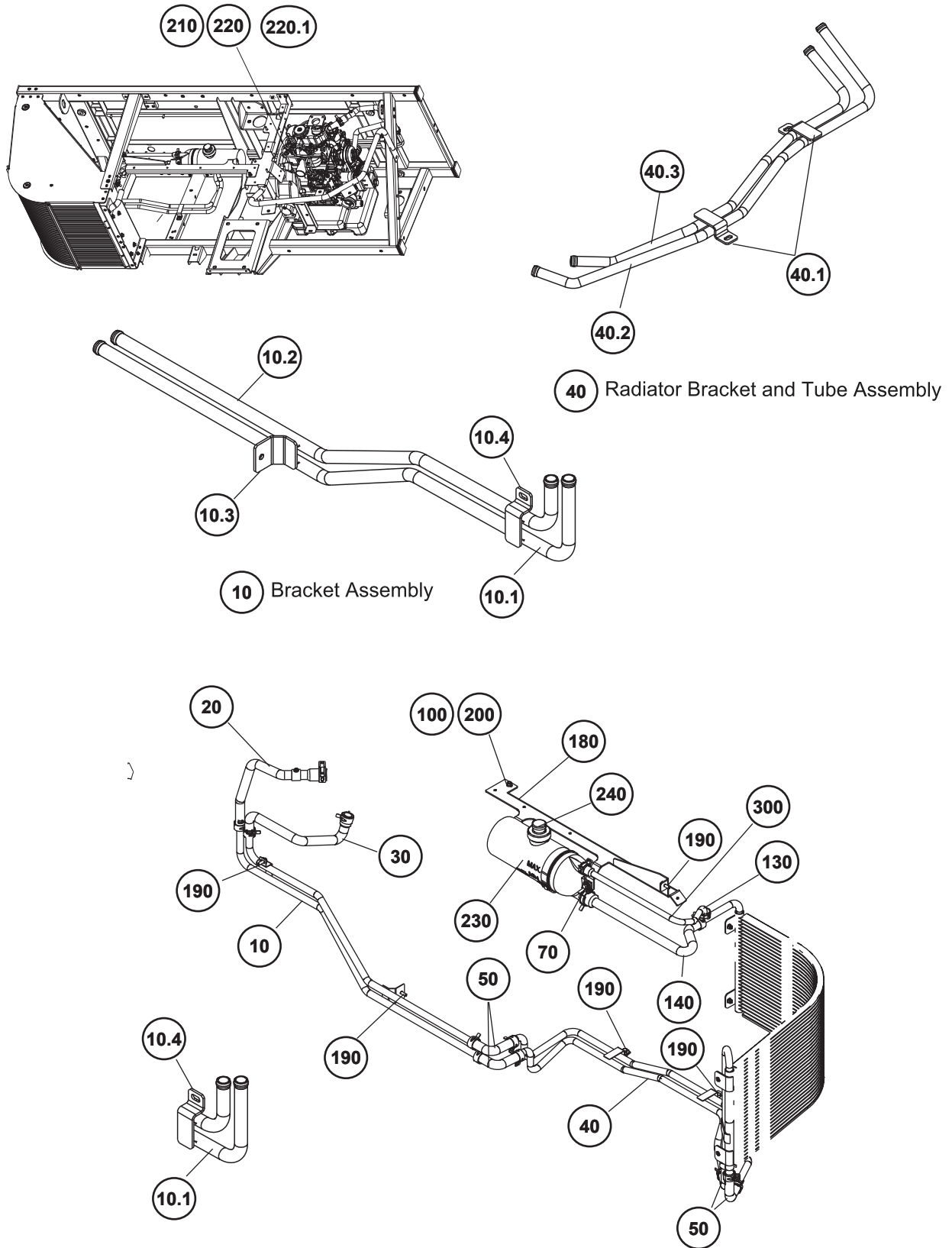
Condenser Kit



Item Number	Part Number	Part Description	Quantity
10	79-60857-00	Condenser/Radiator Assembly	1
10.1	08-60229-00	Coil, Condenser	1
10.2	08-60230-00	Coil, Cooling	1
10.3	67-60977-00	Support, Condenser	1
10.4	67-60978-00	Support, Condenser	1
10.5	67-60981-00	Cover, Top	1
10.6	67-60982-00	Cover, Bottom	1
10.7	68-70996-00	Bracket	2
10.8	67-60985-01	Fan Propeller Cover	1
10.9	34-60068-20	Screw, Captive Washer, M6 x 20mm	21
10.10	34-00928-13	Rivet, Blind, 0.187 Diameter	12
20	67-61047-00	Support	1
30	14-00352-00	Valve, 3-Way, Solenoid with ORFS	1
30.1	14-00352-20	Valve Repair Kit	1
40	22-02579-05	Coil, Compressor Unloader	1
40.1	22-01613-00	Receptacle, 2-Pin	1
40.2	22-01613-01	Lock, Secondary, 2-Pin	1
40.3	22-01613-20	Contact, Socket, Number 14	1
50	44-00285-52	Clamp, Tube	1
60	54-00687-00	Motor	1
60.1	22-50098-67	Connector, Male, 2 Position	1
60.2	22-50078-01	Connector, Male	1
70	67-61032-00	Bracket	1
80	68-71032-01	Deflector	1
90	67-61030-00	Deflector	1
100	68-70997-00	Bracket	1
110	67-60987-00	Support, Condenser	1
120	82-60315-00	Tube	1
120.1	34-06121-06	Nut, Hex, 11/16 - 16	1
120.2	40-60008-02	Sleeve	1
130	56-70005-00	Tube, Condenser	1
140	56-70008-00	Tube, Condenser	1
150	82-60310-00	Tube	1
160	40-00090-13	Fitting	1
170	82-60335-00	Tube, Hot Gas	1
180	81-60975-00	Tube	1
190	14-00430-01	Valve	1
200	34-00302-14	Screw, Cap, Hex Head, 5/16 - 18 x 1.75	2
210	34-60068-20	Screw, Captive Washer, M6 x 20mm	25
220	22-61094-00	Harness	1
240	34-60095-46	Washer, Lock, M6 x 18mm	4
250	34-60082-45	Screw, Head, M6 x 45	2
280	44-60010-03	Clamp, Tube	1
290	34-60095-27	Washer, Lock, M6 x 14mm	3
300	34-01336-30	Screw, Cap, Hex Head, M6 x 30mm	6
310	42-00243-09	O-Ring	1
330	34-60152-00	Screw, HM8	2
340	44-60006-01	Clamp	1
350	44-60010-01	Clamp, Tube, 3/8	1
360	67-61078-00	Channel	1
370	40-00102-04	Elbow, 90 Street, 1/4 MFL x 1/4 MPT	1

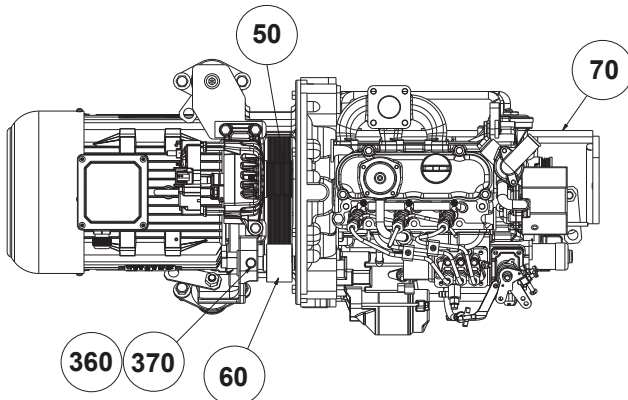
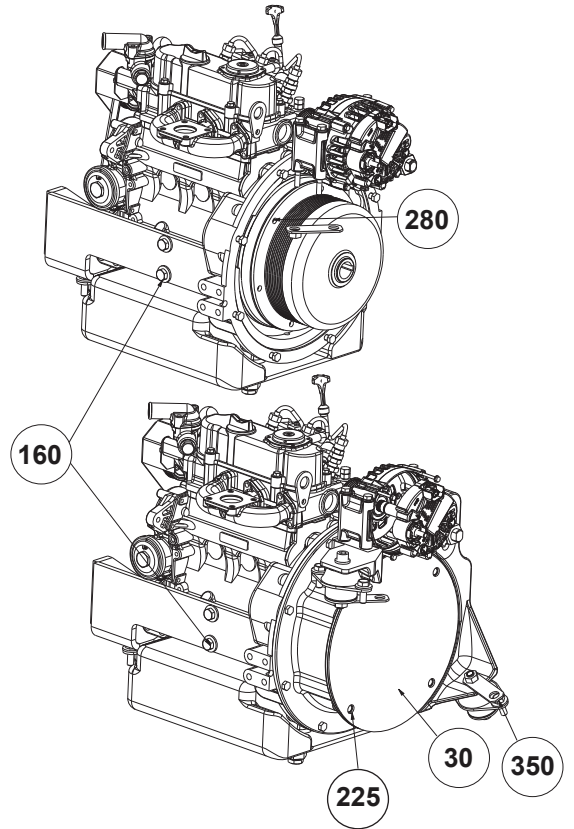
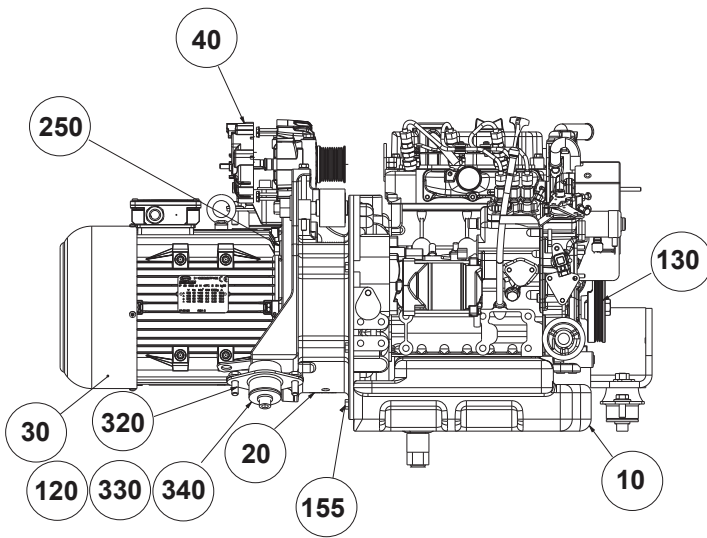
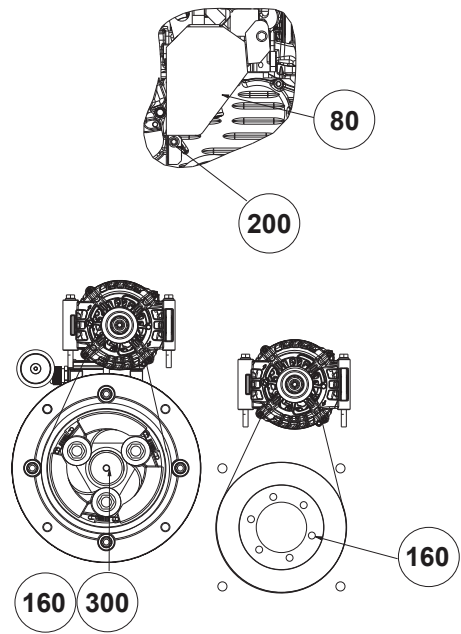
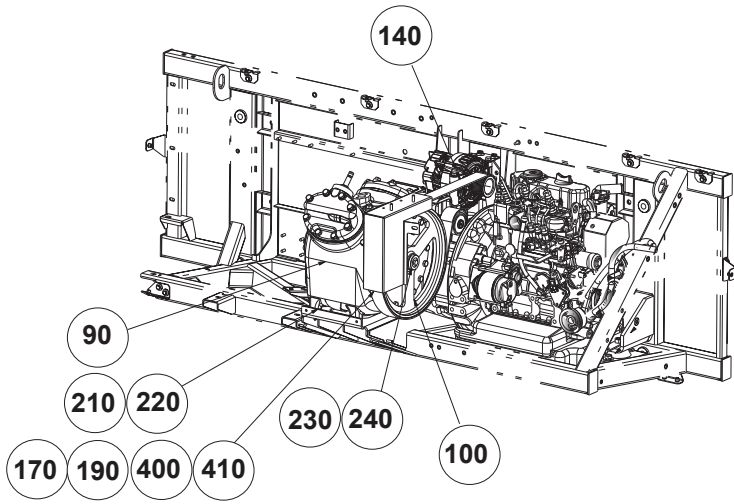
Item Number	Part Number	Part Description	Quantity
380	40-00086-04	Cap, Seal, 1/4, Female Flare	1
390	34-60084-06	Washer, Lock, M6 x 10 x 0.9	2
400	17-44161-00	Gasket, Discharge Valve	1
410	12-00352-14	Transducer	1
420	42-01164-00	Seal	4.1
430	42-60092-22	Foam, 550mm x 20mm x 19mm	1
440	34-01152-35	Screw, Cap, Hex Head, M6 x 35mm	1

Coolant Kit



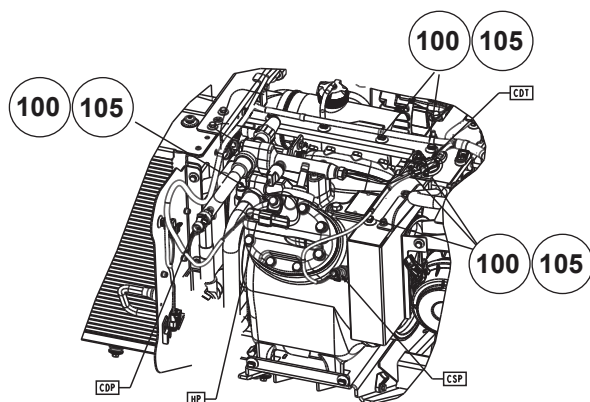
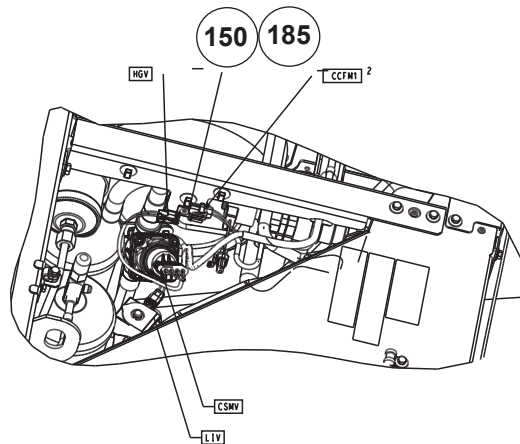
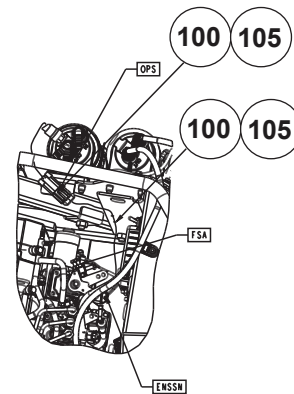
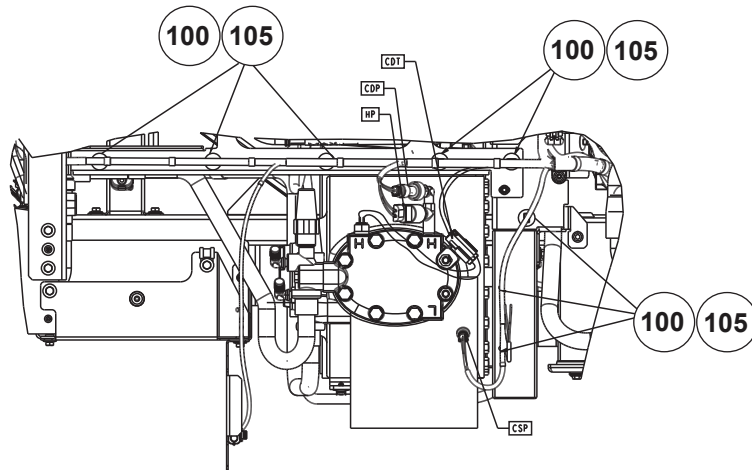
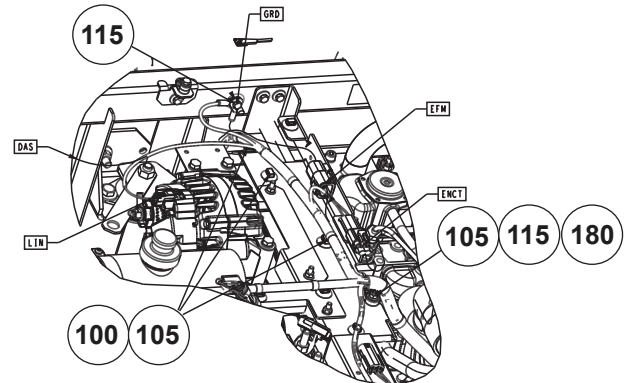
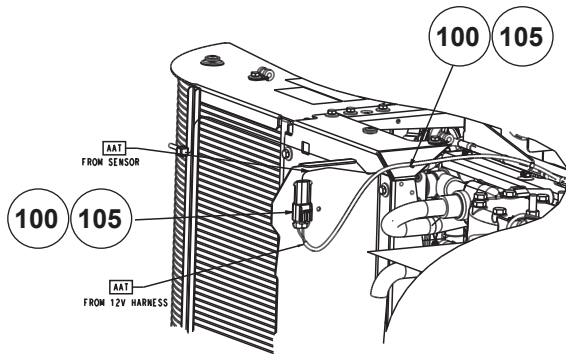
Item Number	Part Number	Part Description	Quantity
10	86-61511-00	Bracket and Tube Assembly, Engine	1
10.1	56-70021-00	Tube, 16mm x 1mm	1
10.2	56-70022-00	Tube, 16mm x 1mm	1
10.3	68-71064-00	Bracket, 1.5mm	1
10.4	68-71063-00	Bracket, 1.5mm	1
20	58-60916-01	Hose	1
30	58-60917-01	Hose	1
40	86-61524-01	Bracket and Tube Assembly, Radiator	1
40.1	68-71062-00	Bracket, 1.5mm	1
40.2	56-70017-00	Tube, 16mm x 1mm	1
40.3	56-70020-00	Tube, 16mm x 1mm	1
50	58-60918-01	Hose, Lower Radiator	4
60	86-61543-00	Bracket Assembly	1
70	34-01336-25	Clamp, Hose, 23 Diameter	3
90	68-71059-00	Clamp, Hose, 24 Diameter	1
100	34-60095-27	Washer, Lock, M6	6
110	34-60152-00	Screw, Cap, Hex Head, M6 x 14mm	1
130	58-60961-01	Hose, Coolant Bottle	1
140	58-60960-01	Hose, Coolant Bottle	1
180	68-71217-00	Bracket, Support	1
190	34-60068-20	Screw, Captive Washer, M6	8
200	34-01184-56	Nut, Lock, M6 Nylock	3
220	12-00767-00	Thermistor, Engine Temperature	1
220.1	22-50078-02	Connector, 2-Pin	1
230	58-01432-00	Bottle, Coolant	1
240	58-04663-00	Cap, Coolant Bottle	1
250	44-60045-05	Clamp, Hose, 25 - 40 Diameter	1
260	58-60668-01	Protector	1
270	44-60006-05	Clamp	1
280	34-60089-06	Nut, Lock	1
290	22-04073-00	Hose	0.83
300	58-01428-00	Sta-Strap	1

Drive Kit



Item Number	Part Number	Part Description	Quantity
10	26-00141-19	Engine, Kubota	1
20	06-60030-00	Coupling	1
30	54-00684-00	Motor	1
40	30-60147-01	Alternator	1
50	50-60477-00	Clutch	1
60	50-60470-01	Idler Assembly	1
70	86-61480-00	Bracket, 11mm	1
80	86-61506-01	Bracket, Belt Guard	1
90	18-00063-10	Compressor	1
100	50-60475-00	Pulley	1
120	73-60097-01	Shockmount	3
130	50-60329-06	V-Belt, Poly, Belt, 3 Pack	1
140	50-60480-02	Belt	1
155	34-00961-26	Screw, Cap, Hex Head, M10 x 26mm, 1.024	12
160	34-60085-10	Washer, Conical, M10 x 22	5
170	86-61545-00	Bracket, Guard	1
190	34-60095-27	Washer, Lock, M6 x 14mm	2
200	34-60089-06	Nut, Lock, M6	1
210	34-60340-00	Stud, Bolt, M12 - 1/2	4
220	34-60089-12	Nut, Lock, M12	4
225	34-60085-12	Washer, 12, 24	3
230	34-60119-03	Screw, Hex Head, 5/16 - 18	1
240	48-60172-02	Spacer, Comp Mtg, 8 x 40 x 7	1
250	34-60147-40	Screw, Cap, Hex Head, M12 x 40, Flange	4
280	34-00876-20	Screw, Cap, Hex Head, M8 x 20mm, 0.79	6
300	34-00873-35	Screw, Cap, Hex Head, M10 x 35mm, 1.38	1
320	34-60275-30	Screw, Hex, Washer Head, HM10	6
330	34-60100-80	Screw, Cap, Hex Head, M12 x 80mm	3
340	34-00890-04	Washer, Flat, 0.515 x 2.00	3
350	86-04325-02	Nut Assembly	3
360	34-60085-08	Washer, 8, 16	4
370	34-00876-26	Screw, Hex Head, M8 x 110mm, 4.33	4
400	34-60068-20	Screw, Captive Washer, M6 x 20mm	1
410	34-01184-56	Nut, Lock, M6 Nylock	2

Electrical Kit



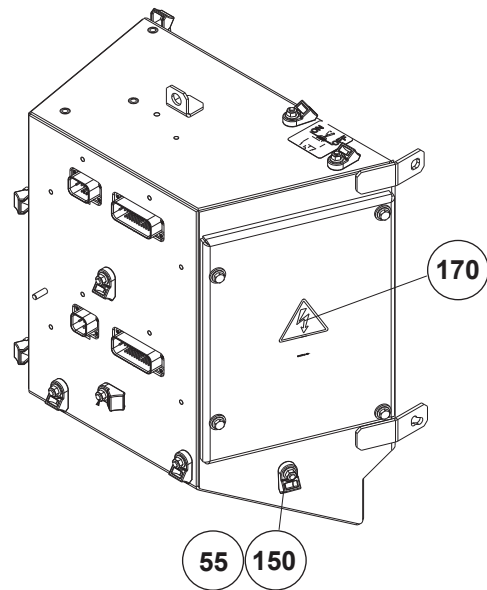
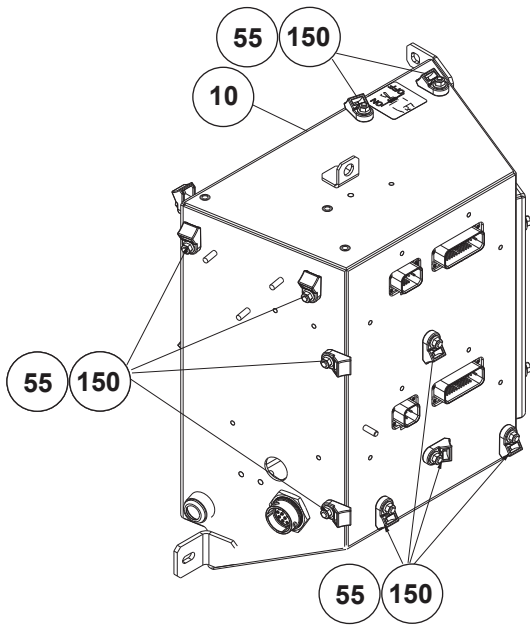
This drawing is incomplete due to size of source file
See supplemental electrical sub-assembly kits that follow

Item Number	Part Number	Part Description	Quantity
		Electrical Kit (See individual component breakdowns)	
15	12-00772-00	Module, Display	1
20	22-61125-00	Harness, 8xx ETO	1
25	22-61082-00	Cable Assembly, Cab Command, NDTP	1
30	22-61010-01	Harness, Fan Evaporator	1
35	22-60359-01	Strap, Ground	2
40	22-60350-11	Cable Battery, Positive, Red, 35mm	1
45	22-60350-01	Cable, Battery, Negative, Black x 8000mm	1
50	22-02979-03	Harness, Fuel Pump	1
60	91-60373-13	Control Box, S7/8/9 PRM NAO	1
60.1	79-60927-00	Box Assembly, Control Box, NDTP	1
60.1.1	86-61541-00	Box Assembly, NDTP	1
60.1.1.1	67-61103-00	Bracket, NDTP	1
60.1.2	42-60127-00	Gasket, Maxima, 1300/1000	1
60.1.3	58-60306-06	Washer, Nylon, M6 - 18	4
60.1.4	34-60095-27	Washer, Lock, M6 x 14mm	4
60.1.5	34-01152-30	Screw, Cap, Hex Head, M6 x 30mm, 1.181	4
60.1.6	68-71195-00	Door, NDTP	1
60.1.7	34-60332-00	Washer, M6	4
60.2	42-60175-00	Gasket, NDTP	2
60.3	91-60378-00	Controller Assembly, MCA	1
60.3.1	58-60947-00	Cover, MCA	1
60.3.2	12-00762-00	PCB, Mother, MCA	1
60.3.3	58-60950-00	Cover, NDTP	1
60.3.4	34-60286-00	Screw, 20 Long, 0.79	6
60.3.5	34-60287-00	Screw, 8 Long, 0.31	8
60.4	34-60089-05	Nut, Lock, M5 Twolock	13
60.5	91-60378-01	Controller Assembly, SIOB	1
60.5.1	58-60946-00	Cover, SIOB	1
60.5.2	12-00764-26	PCB, Mother, Single Temp, SIO	1
60.5.3	58-60950-00	Cover, NDTP	1
60.5.4	34-60286-00	Screw, 20 Long, 0.79	6
60.5.5	34-60287-00	Screw, 8 Long, 0.31	8
60.6	42-60183-00	Gasket, Cover Relay & Fuse	1
60.7	42-60184-00	Gasket, TPC Connector	1
60.8	91-60378-02	Controller Assembly, TPC	1
60.8.1	58-60930-00	Cover, TPC	1
60.8.2	12-00763-01	PCB, Mother, TPC	1
60.8.3	58-60931-01	Support, Housing	1
60.8.4	12-00714-08	Relay Board, 3 Fans	1
60.8.5	34-60286-00	Screw, 20 Long, 0.79	15
60.8.6	34-60287-00	Screw, 8 Long, 0.31	4
60.9	58-60948-00	Cover, Relays & Fuses	1
60.10	34-60089-06	Nut, Lock, M6	27
60.11	34-60068-20	Screw, Captive Washer, M6 x 20mm	4
60.12	34-00946-58	Nut, Hex, M8 - 1.25, 0.315	1
60.13	34-60095-30	Washer, Lock, M8 x 18mm	1
60.14	91-60376-01	Panel Assembly, Phase Reversal	1
60.14.1	67-61110-00	Bracket, Interface Control Drawing	1
60.14.2	10-00503-31	Contact, 100 - C30, 1Nc	2
60.14.3	34-60210-16	Screw, M4 x 16mm, 0.63	4
60.14.4	12-60007-05	Detector, Phase Reversal	1
60.14.5	34-01184-03	Nut, Lock, M3 Nylock	2
60.14.6	68-15626-14	Rail, Din	1

Item Number	Part Number	Part Description	Quantity
60.14.7	34-60210-10	Screw, M4 x 10mm, 0.39	2
60.14.8	22-60540-30	Fuse Holder, 3 Poles, 10.3 x 38	1
60.14.9	22-60543-10	Fuse, 25 Amps, 400 Vac, Am	3
60.14.10	62-60180-00	Decal, Ground	1
60.14.11	34-60089-05	Nut, Lock, M5 Twolock	1
60.14.12	22-61134-01	Harness, Standby Panel, Prm	1
60.15	91-01186-02	Box Assembly, Standby, 208 - 230V	1
60.15.1	22-02955-00	Receptacle, 230V, 50A, 3Ph	1
60.15.2	22-02937-00	Box, Conduit	1
60.15.3	22-02324-02	Bushing, 0.177 x 0.59, 8 Awg	7
60.15.4	58-60298-03	Grommet, Tap	1
60.15.5	58-00079-02	Sta-Strap, 0 - 1.75 Diameter	1
60.15.6	22-50122-49	Terminal, Ring, 1/4 Awg, 6 - 10 Ga	1
60.15.7	22-02343-06	Connector, 1 NPT, Orch Ring	1
60.15.8	22-02954-00	Adapter, Receptacle, Inlet	1
60.15.9	66-U---1--9782-1	Cable, 8/4 So, Black, 90C	17.52
60.15.10	34-06136-02	Nut, Lock, 1.00 NPT	1
60.15.11	62-02255-00	Decal, Voltage, 230 Volts	1
60.15.12	62-03914-00	Decal, Check Rotation	1
60.15.13	66-U---1--1251-3	O-Ring, 1.00 Hub, Sealing	1
60.15.14	68-08332-01	Bracket, 10 Ga, 0.1345 Hrs	1
60.15.15	34-60002-56	Washer, M6 Belleville	3
60.15.16	34-01184-06	Nut, Lock, M6 Nylock	3
60.16	22-61090-00	Block Assembly, Pass Thru Block, 3W	1
60.17	10-00375-01	Buzzer, Warning	1
60.18	10-01129-02	Switch, Toggle, 1 Pole	1
60.19	58-60158-00	Cap, Seal, Switch	1
60.20	62-60180-00	Decal, Ground	1
60.21	62-60180-01	Decal, Ground	1
60.22	62-60226-00	Decal, Ground	1
60.23	58-60298-03	Grommet, Tap	2
60.24	22-50098-49	Fuse Holder, Maxi Fuse Type	1
60.25	22-50098-49B	Fuse Holder, Fixing	1
60.26	44-60163-01	Clamp	13
60.27	44-60133-00	Clamp	2
60.28	62-03957-01	Decal, High Voltage	1
60.29	44-60024-05	Sta-Strap, 0 - 35mm Diameter Bundle	4
60.30	22-61126-10	Harness, Box, NDTP, 6 - 7xx	1
60.30.1	22-60248-04	Terminal, Female, 6.35, 0.5 to 1mm2	2
60.30.2	22-50098-71	Connector, Female, 2F, Tyco	1
60.30.3	22-50098-71A	Terminal, Female, 10 - 12 Awg	2
60.30.4	22-50098-67C	Seal, Cable, 10 - 12 Awg	2
60.30.5	22-50098-48	Connector, Female, DTP 06-4S	1
60.30.6	22-50098-48A	Lock, Secondary, WP-4S	1
60.30.7	22-50078-79B	Plug, Sealing, 8 - 10 Ga	1
60.30.8	22-50078-77G	Terminal, Socket, 12 - 14 Ga	3
60.30.9	22-50098-49C	Fuse Holder, Terminal, 9 - 11 Awg	2
60.30.10	22-60245-15	Terminal, Ring, 6, Awg 4 to 6	1
60.30.11	22-60545-01	Terminal, Ring, 45 Degrees, 6 Diameter, 10mm	2
60.30.12	22-60245-13	Terminal, Ring, 4, Awg 4 to 6	1
60.30.13	22-60244-21	Terminal, Ring, 8 Diameter, 16mm2	1
60.30.14	22-60545-00	Terminal, Ring, 45 Degrees, 6 Diameter, 16mm	2
60.30.15	22-61135-00	Terminal, 90 TPC	1
60.30.16	22-60244-20	Terminal, Ring, 6, 16mm2	2
60.30.17	22-60338-04	Tube, Heat Shrink, 24 - 6 Diameter	0.27

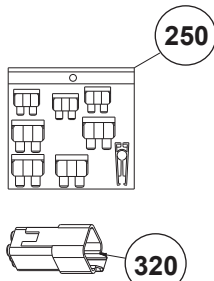
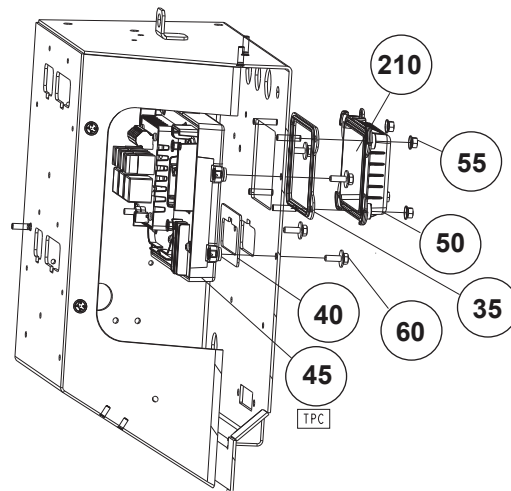
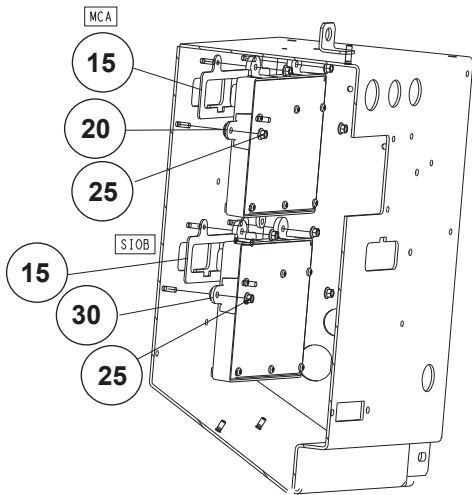
Item Number	Part Number	Part Description	Quantity
60.30.18	22-50099-80	Connector, 2 Circuit Housing	1
60.30.19	22-50099-80A	Terminal, Female, Crimp, 20 - 24	2
60.30.20	22-60244-15	Terminal, Ring, 6 Diameter, 10mm2	1
60.30.21	22-60244-12	Terminal, Ring, 6 Diameter, 6mm2	1
60.30.22	22-60244-25	Terminal, Ring, 8 Diameter, 25mm2	1
60.30.23	58-60298-03	Grommet, Tap	1
60.30.24	44-60024-05	Sta-Strap, 0 - 35mm Diameter Bundle	1
60.30.25	22-60309-01	Tube, Heat Shrink, 24/mm Diameter	0.05
60.30.26	58-60423-00	Terminal, Cap	2
60.31	62-61675-04	Schematic, Electrical	1
60.32	62-61685-00	Decal, Control Box, NDTP	1
60.33	62-60012-05	Decal, RSS	1
60.34	77-61025-12	Fuse Kit, NDTP	1
60.34.1	22-02336-01	Fuse, 20A	1
60.34.2	22-02336-02	Fuse, 5A	1
60.34.3	22-02336-08	Fuse, 7 1/2 Amp	1
60.34.4	22-02336-09	Fuse, 80 Amp	1
60.34.5	22-02336-14	Fuse, 30 Amp	1
60.34.6	22-02336-16	Fuse, 40 Amp	1
60.34.7	22-02336-29	Fuse, 50A	1
60.34.8	22-02336-50	Fuse, Removal Tool	1
60.35	22-02336-29	Fuse, 50A	1
100	44-60121-00	Bracket, Clamp, Tie-Wrap	24
105	44-60024-25	Sta-Strap, 0 - 105mm Diameter Bundle	50
110	34-60095-30	Washer, Lock, M8 x 18mm	2
115	34-60089-06	Nut, Lock, M6	3
120	34-60068-20	Screw, Captive Washer, M6 x 20mm	3
125	34-01153-20	Screw, Cap, Hex Head, M8 x 20mm, 0.787	1
130	34-60096-09	Washer, Lock, M8 x 16mm	3
145	34-60201-03	Nut, Hex, M8	4
150	34-00774-10	Rivet, Blind, 0.189 Diameter	2
155	34-01336-25	Screw, Cap, Hex Head, M6 x 25mm, 0.984	6
160	34-01336-45	Screw, Cap, Hex Head, M6 x 25mm, 1.771	2
165	34-60095-27	Washer, Lock, M6 x 14mm	8
175	44-60163-00	Clamp	2
180	44-60163-01	Clamp	8
185	22-01613-35	Bracket, Mounting	2
190	58-60282-00	Clasp, Push-On	1
195	44-60150-04	Clip, Harness Retainer, Tick 1 - 3mm, 45 Diameter	2
205	34-00361-13	Nut, Self Lock, 3/8 - 16	1
210	34-00944-10	Washer, Flat, M10	1

Control Box, S7/8/9 PRM NAO

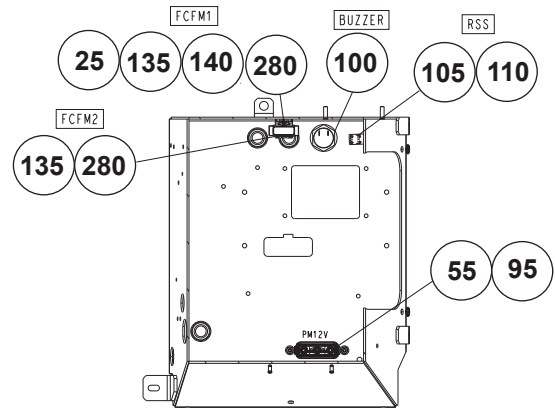
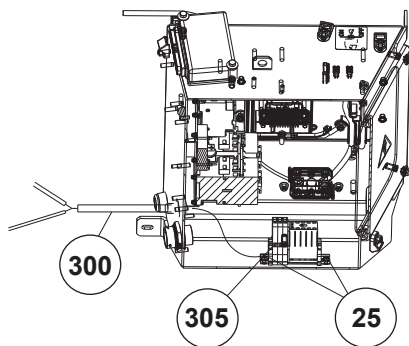


MCA / SIOB MOUNTING

TPC MOUNTING

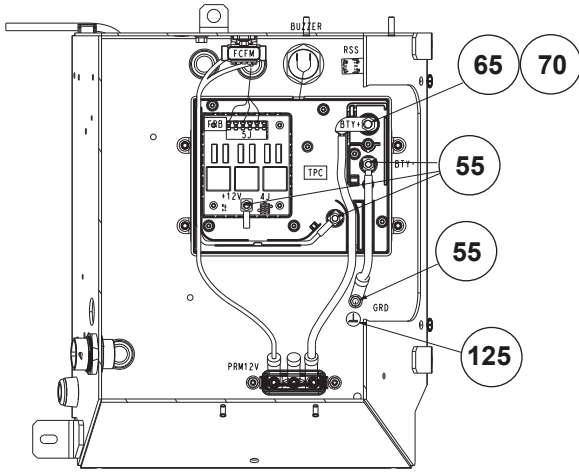


EWHS WIRING

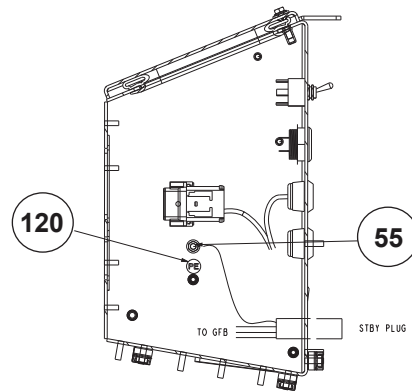


Control Box, S7/8/9 PRM NAO

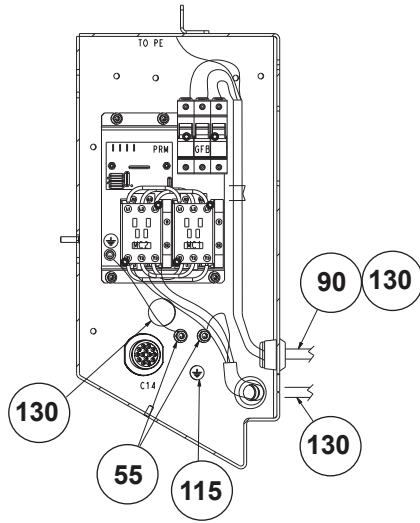
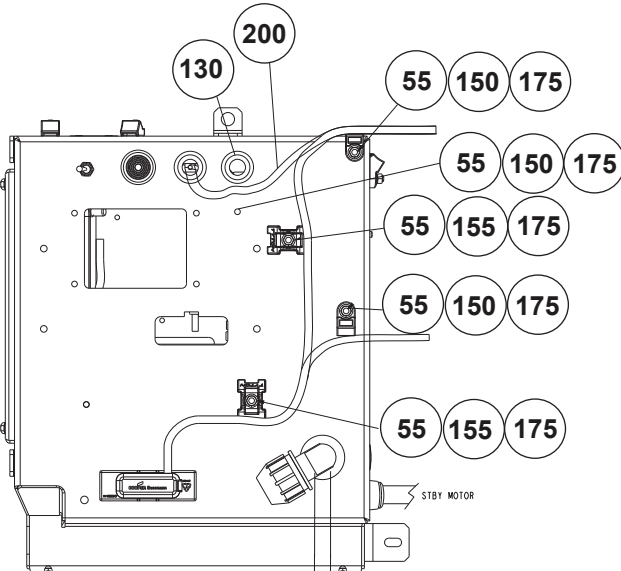
TPC ROUTING



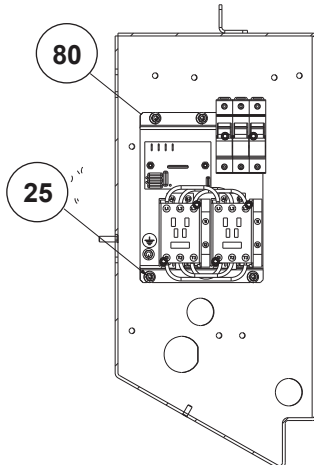
STBY PANEL ROUTING



BACK SIDE ROUTING

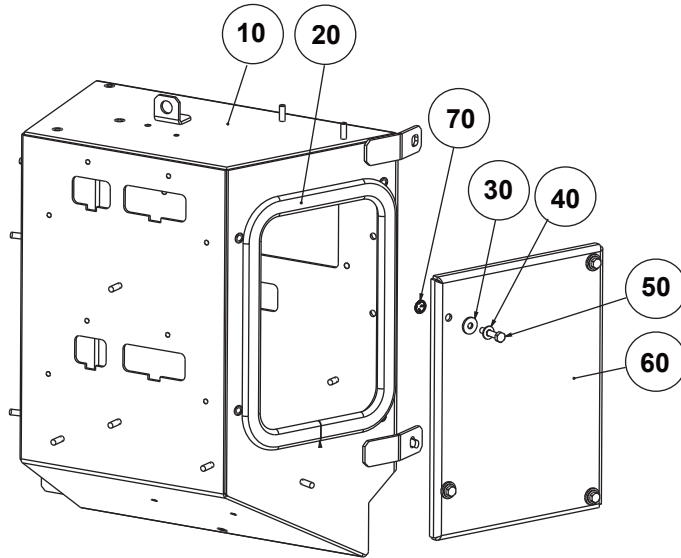


STANDBY PANEL MOUNTING
NOT FOR ROAD VERSION



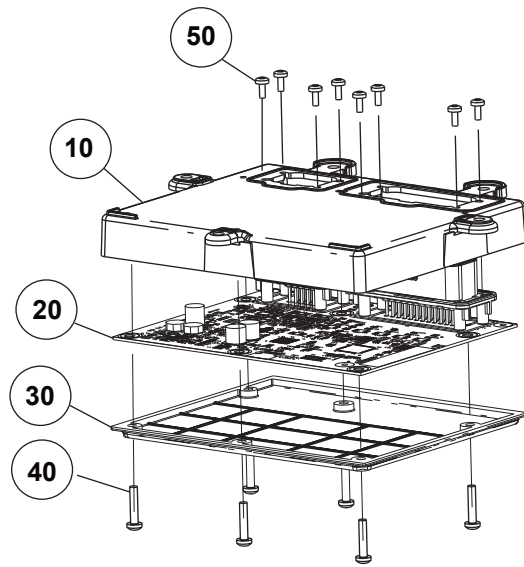
Item Number	Part Number	Part Description	Quantity
	91-60373-13	Control Box, S7/8/9 PRM NAO - Includes	
10	79-60927-00	Box Assembly, Control Box, NDTP	1
15	42-60175-00	Gasket, NDTP	2
20	91-60378-00	Controller Assembly, MCA	1
25	34-60089-05	Nut, Lock, M5 Twolock	13
30	91-60378-01	Controller Assembly, SIOB	1
35	42-60183-00	Gasket, Cover Relay & Fuse	1
35	42-60184-00	Gasket, TPC Connector	1
45	91-60378-02	Controller Assembly, TPC	1
50	58-60948-00	Cover, Relays & Fuses	1
55	34-60089-06	Nut, Lock, M6	27
60	34-60068-20	Screw, Captive Washer, M6 x 20mm	4
65	34-00946-58	Nut, Hex, M8 - 1.25, 0.315	1
70	34-60095-30	Washer, Lock, M8 x 18mm	1
80	91-60376-01	Panel Assembly, Phase Reversal	1
90	91-01186-02	Box Assembly, Standby, 208 - 230V	1
95	22-61090-00	Block Assembly, Pass Thru Block, 3W	1
100	10-00375-01	Buzzer, Warning	1
105	10-01129-02	Switch, Toggle, 1 Pole	1
110	58-60158-00	Cap, Seal, Switch	1
115	62-60180-00	Decal, Ground	1
120	62-60180-01	Decal, Ground	1
125	62-60226-00	Decal, Ground	1
130	58-60298-03	Grommet, Tap	2
135	22-50098-49	Fuse Holder, Maxi Fuse Type	1
140	22-50098-49B	Fuse Holder, Fixing	1
150	44-60163-01	Clamp	13
155	44-60133-00	Clamp	2
170	62-03957-01	Decal, High Voltage	1
175	44-60024-05	Sta-Strap, 0 - 35mm Diameter Bundle	4
200	22-61126-10	Harness, Box, NDTP, 6 - 7xx	1
205	62-61675-04	Schematic, Electrical	1
210	62-61685-00	Decal, Control Box, NDTP	1
250	77-61025-12	Fuse Kit, NDTP	1
280	22-02336-29	Fuse, 50A	1

Control Box Assembly



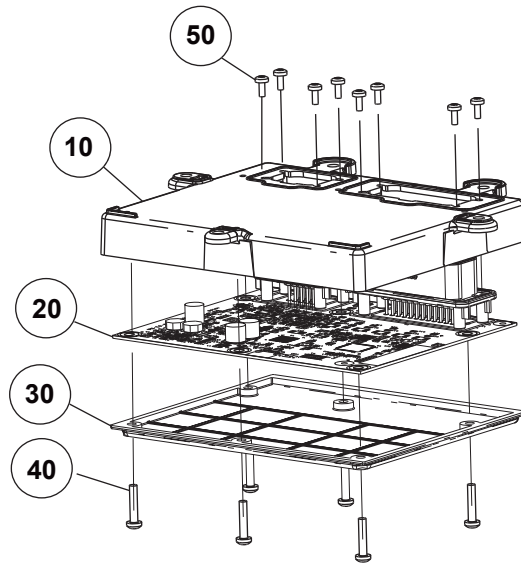
Item Number	Part Number	Part Description	Quantity
	79-60927-00	Box Assembly, Control Box, NDTP	1
10	86-61541-00	Box Assembly, NDTP	1
NS	67-61103-00	Bracket, NDTP	1
20	42-60127-00	Gasket, Maxima, 1300/1000	1
30	58-60306-06	Washer, Nylon, M6 - 18	4
40	34-60095-27	Washer, Lock, M6 x 14mm	4
50	34-01152-30	Screw, Cap, Hex Head, M6 x 30mm, 1.181	4
60	68-71195-00	Door, NDTP	1
70	34-60332-00	Washer, M6	4

Controller Assembly, MCA



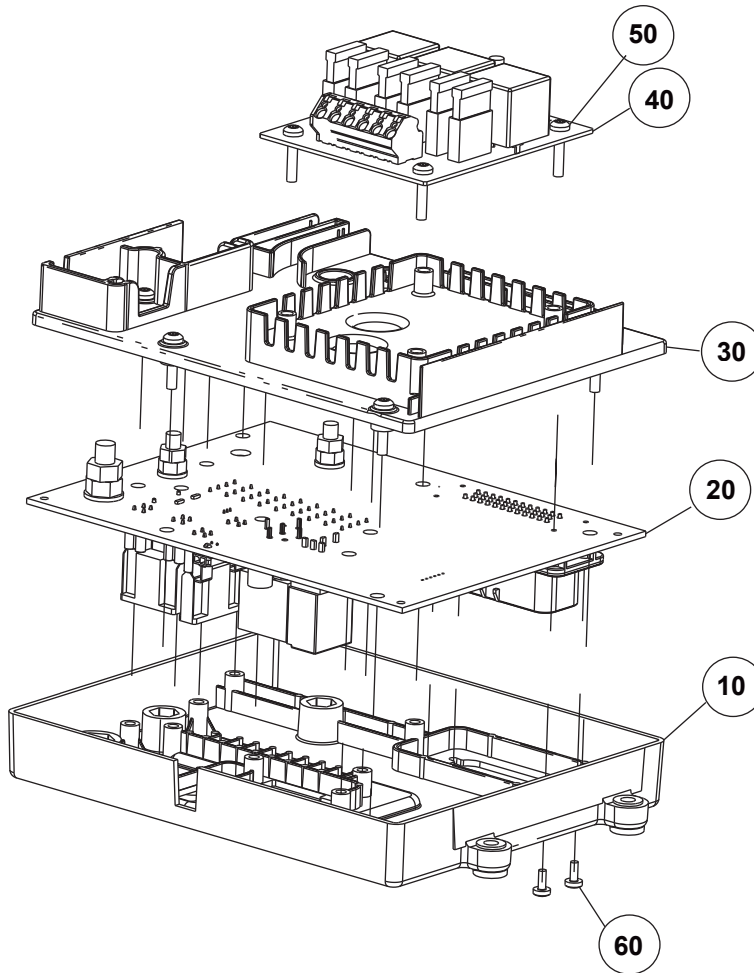
Item Number	Part Number	Part Description	Quantity
	91-60378-00	Controller Assembly, MCA	1
10	58-60947-00	Cover, MCA	1
20	12-00762-00	PCB, Mother, MCA	1
30	58-60950-00	Cover, NDTP	1
40	34-60286-00	Screw, 20 Long, 0.79	6
50	34-60287-00	Screw, 8 Long, 0.31	8

Controller Assembly, SIOB



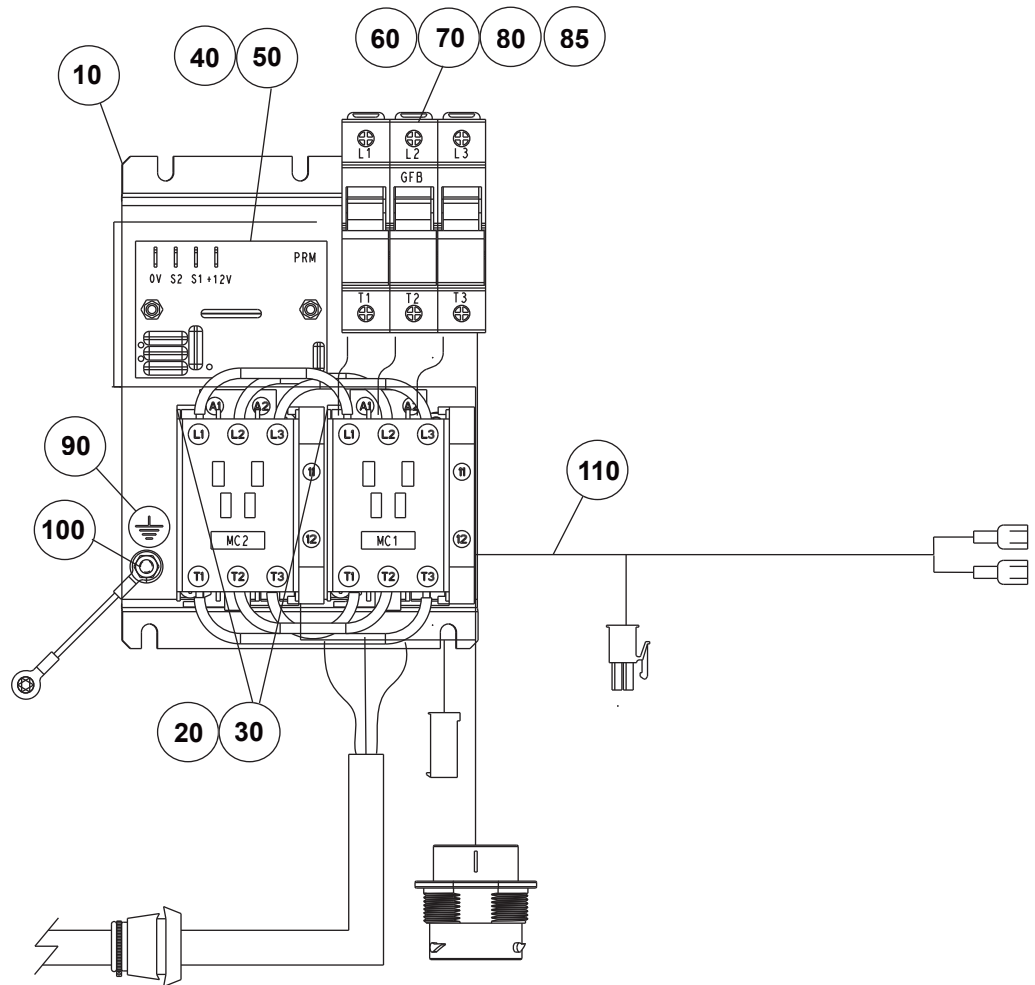
Item Number	Part Number	Part Description	Quantity
	91-60378-01	Controller Assembly, SIOB	1
10	58-60946-00	Cover, SIOB	1
20	12-00764-26	PCB, Mother, Single Temp, SIO	1
30	58-60950-00	Cover, NDTP	1
40	34-60286-00	Screw, 20 Long, 0.79	6
50	34-60287-00	Screw, 8 Long, 0.31	8

Controller Assembly, TPC



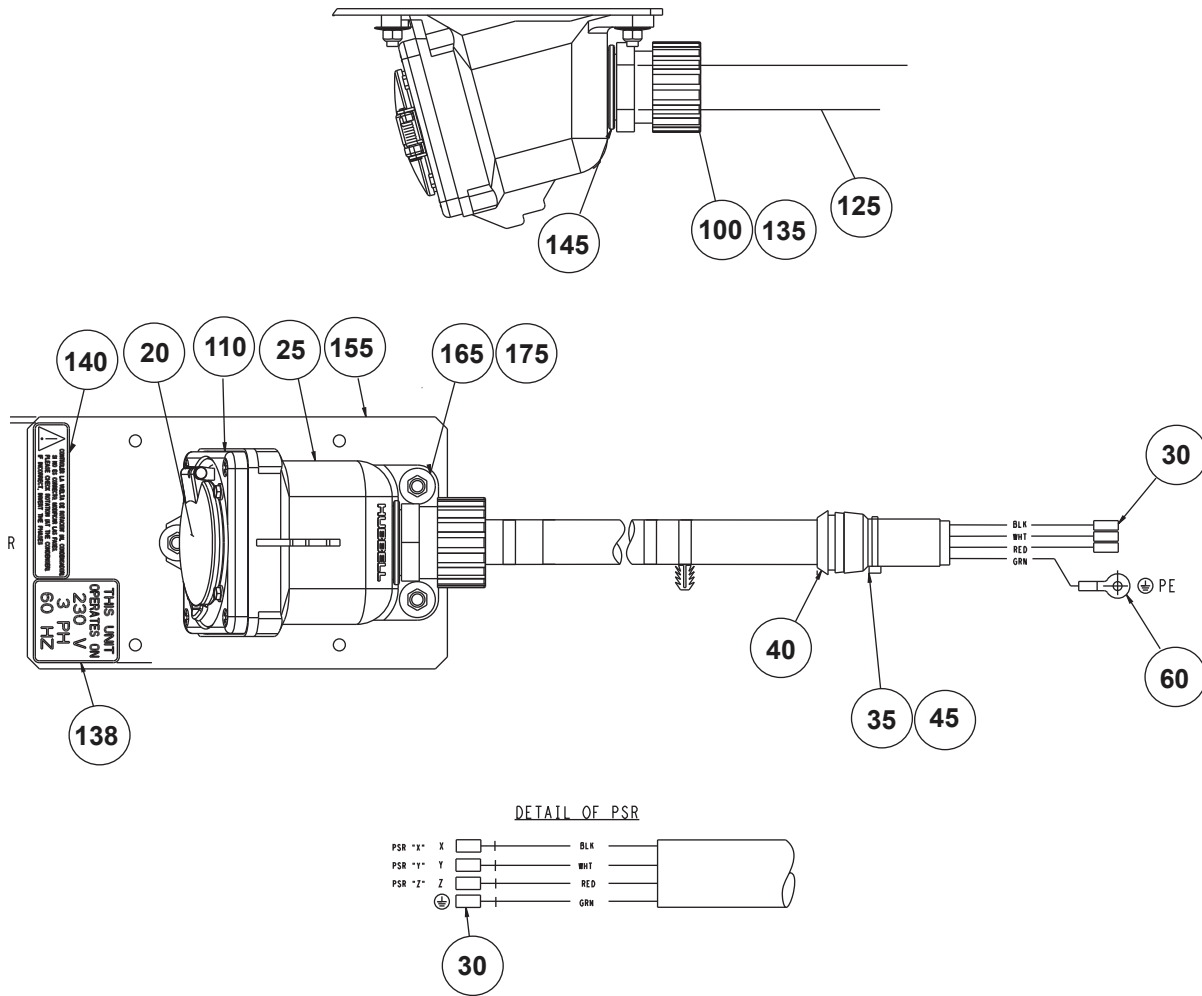
Item Number	Part Number	Part Description	Quantity
	91-60378-02	Controller Assembly, TPC	1
10	58-60930-00	Cover, TPC	1
20	12-00763-01	PCB, Mother, TPC	1
30	58-60931-01	Support, Housing	1
40	12-00714-08	Relay Board, 3 Fans	1
50	34-60286-00	Screw, 20 Long, 0.79	15
60	34-60287-00	Screw, 8 Long, 0.31	4

Panel Assembly, Phase Reversal



Item Number	Part Number	Part Description	Quantity
	91-60376-01	Panel Assembly, Phase Reversal	1
10	67-61110-00	Bracket, 10 Ga, 0.1345 HRS	1
20	10-00503-31	Contactor, 100 - C30, 1NC	2
30	34-60210-16	Screw, M4 x 16mm, 0.63	4
40	12-60007-05	Detector, Phase Reversal	1
50	34-01184-03	Nut, Lock, M3 Nylock	2
60	68-15626-14	Rail, DIN	1
70	34-60210-10	Screw, M4 x 10mm, 0.39	2
80	22-60540-30	Fuse Holder, 3 Poles, 10.3 x 38	1
85	22-60543-10	Fuse, 25 Amps, 400 VAC, AM	3
90	62-60180-00	Decal, Ground	1
100	34-60089-05	Nut, Lock, M5 Twolock	1
110	22-61134-01	Harness, Standby, Panel, PRM	1

Box Assembly, Standby, 208 - 230 V



Item Number	Part Number	Part Description	Quantity
	91-01186-02	Box Assembly, Standby, 208 - 230 V	1
20	22-02955-00	Receptacle, 230V, 50A, 3Ph	1
25	22-02937-00	Box, Conduit	1
30	22-02324-02	Bushing, 0.177 x 0.59, 8 AWG	7
40	58-60298-03	Grommet, Tap	1
45	58-00079-02	Sta-Strap, 0 - 1.75 Diameter	1
60	22-50122-49	Terminal, Ring, 1/4 Awg, 6 - 10 GA	1
100	22-02343-06	Connector, 1 NPT, Orch Ring	1
110	22-02954-00	Adapter, Receptacle, Inlet	1
125	66-U---1--9782-1	Cable, 8/4 So, Black, 90C	17.52
135	34-06136-02	Nut, Lock, 1.00 NPT	1
138	62-02255-00	Decal, Voltage, 230 Volts	1
140	62-03914-00	Decal, Check Rotation	1
145	66-U---1--1251-3	O-Ring, 1.00 Hub, Sealing	1
155	68-08332-01	Bracket, 10 Ga, 0.1345 HRS	1
165	34-60002-56	Washer, M6 Belleville	3
175	34-01184-06	Nut, Lock, M6 Nylock	3