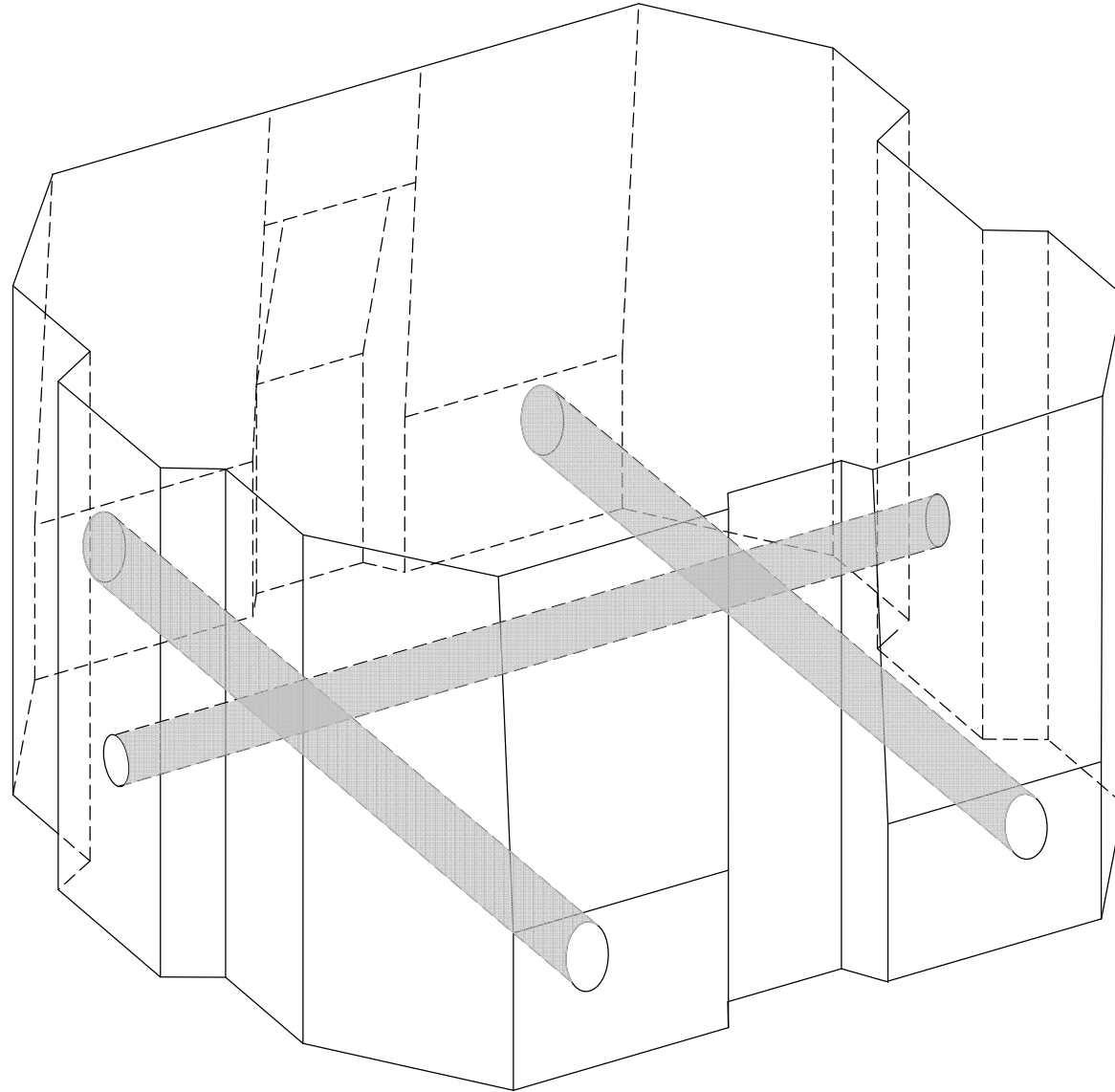


RevetBlok™ I R-91616-7 Male Bock



Unit - 160lbs. - 173lbs.
 Sq. Ft. - 92lbs. - 98lbs.
 Open Area 7%
 Coverage 1.78 Sq. Ft.

NOTES

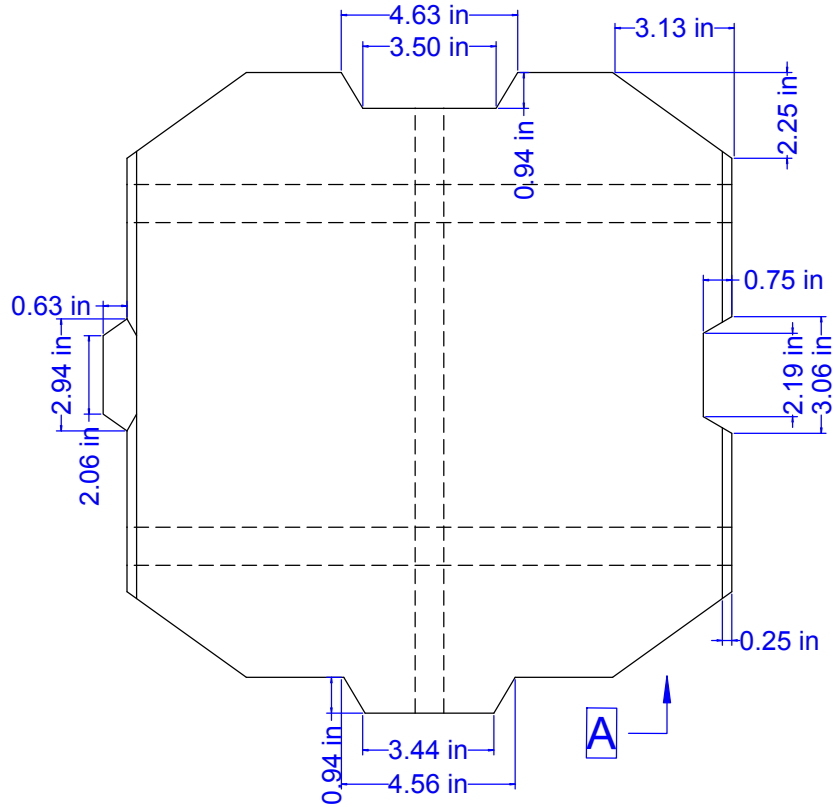
Mattress construction requires a Female RevetBlok on each row to allow the horizontal cable to be connected to the adjacent mattress.

TECHNICAL SPECIFICATIONS

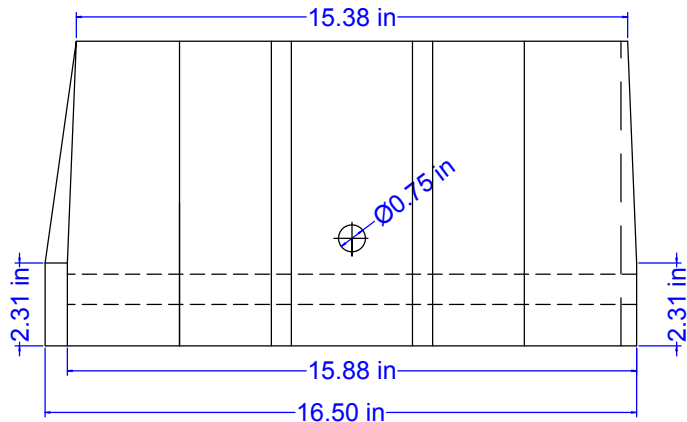
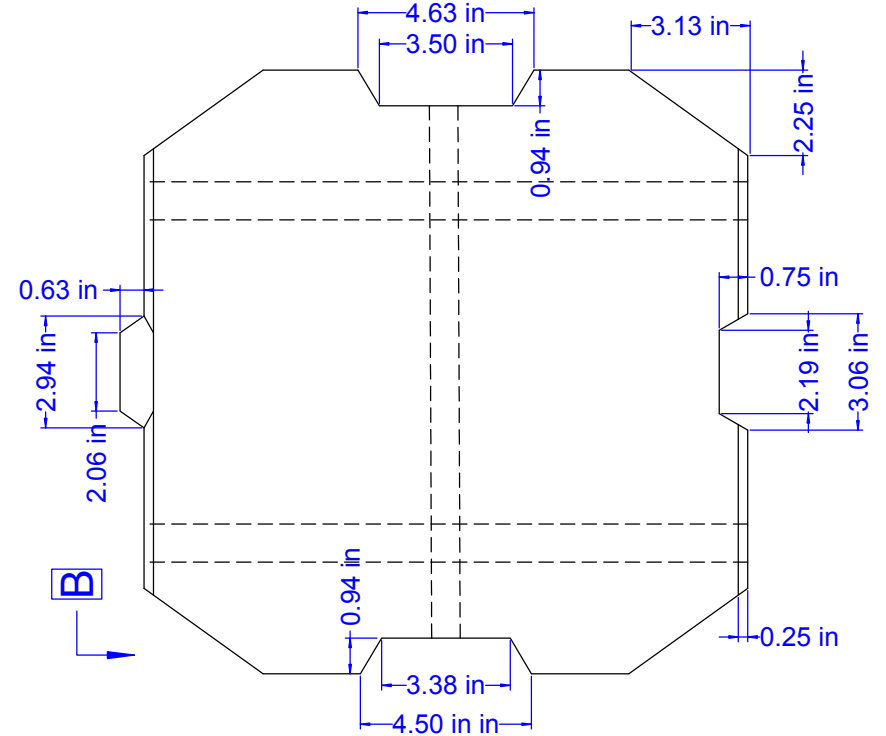
- The RevetBlok is manufactured in accordance with ASTM 90 and C140.
- 1 - RevetBlok™ R-91616-7 Unit Weight is 160lbs - 173lbs.
- 2 - Minimum Compressive Strength 4,000 psi.
- 3 - Maximum Absorption 5%.
- 4 - Dimensional Tolerance +/- 1/8".

| | | | | |
|---|-------------------------------|-------------------------------|--|--|
| <p>RUDLOFF EROSION 1005 Farmers Rd Brenham, TX 77833 800-259-3178 Fax: 979-830-1040 www.rudlofferosion.com</p> | <p>RevetBlok™ I R-91616-7</p> | <p>Date: 06-27-2019</p> | <p>Drawing Name: Block Details</p> | |
| | <p>Project Name:</p> | <p>Revisions: Ver. 03</p> | <p>Scale Not To Scale</p> | |

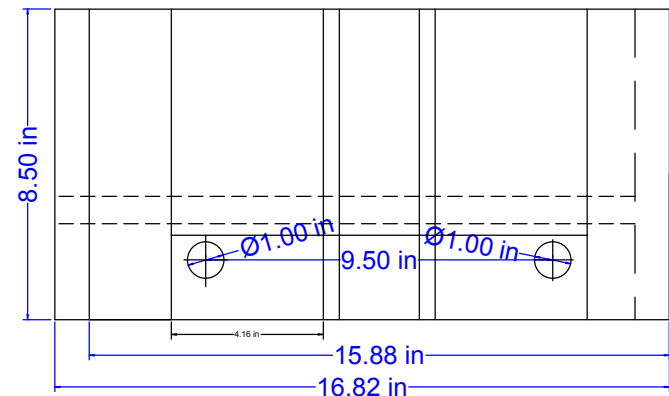
RevetBlok™ I R-91616-7 Male Bock



RevetBlok™ I R-91616-7 Female Bock



Section A



Section B

NOTES

1 - Mattress construction requires a Female RevetBlok on each row to allow the horizontal cable to be connected to the adjacent mattress.

TECHNICAL SPECIFICATIONS

- The RevetBlok is manufactured in accordance with ASTM 90 and C140.
- 1 - RevetBlok™ R-91616-7 Unit Weight is 160lbs - 173lbs.
- 2 - Minimum Compressive Strength 4,000 psi.
- 3 - Maximum Absorption 5%.
- 4 - Dimensional Tolerance +/- 1/8".

| | | | |
|--|------------------------|-----------------------|--------------------------------|
| RUDLOFF EROSION 1005 Farmers Rd Brenham, TX 77833 800-259-3178 Fax: 979-830-1040 www.rudlofferosion.com | RevetBlok™ I R-91616-7 | Date: 06-27-2019 | Drawing Name: Block Details |
| | Project Name: | Revisions: Ver. 03 | Scale: Not To Scale |