

**Progressive Cavity Drum Pump Motor Models:
SP-502, SP-512, SP-522, SP-A4 (FP), SP-A6 (FP) & SP-A8 (FP)**

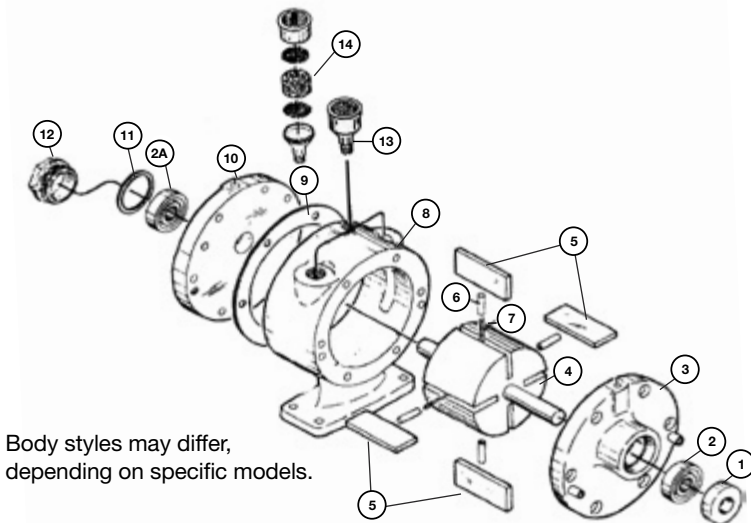
SP-A4(FP), SP-A6 (FP) & SP-A8 (FP) Spare Parts Lists

SP-A4 (FP) See Figure 2

Ref. #	Description	P/N for SP-A4	Qty
Service kit – only service kits are available for parts replacement * Denotes parts included in the Service Kit		1	K206C
1	Shaft Seal	B2328	1
2*	Bearing, Drive End	AB519	1
3	Bearing, Dead End	AA299J	1
4*	End Plate, Drive	AK425A	1
5	Rotor Assembly	AM455C	1
6*	Vane		4
7	Push Pin		4
8	Vane, Spring		2
9*	Body	AM410M	1
10*	Shims	B330	2
11	End Plate, Dead	AB622M	1
12	End Cap, Gasket	AA46	1
13	End Cap, Dead	AM307D	1
	Muffler Assembly	AC980	1
14	Muffler Felt	AC983	1

SP-A6 (FP) & SP-A8 (FP) See Figure 3

Ref. #	Description	P/N for SP-A6	P/N for SP-A8	Qty
Service kit – only service kits are available for parts replacement * Denotes parts included in the Service Kit		K281A	K282A	1
1	End Cap, Drive End	AC998	AC988	1
2*	Shaft Seal	AK423	AK420	1
3*	O-Ring	AC989	AC989	1
4*	Bearing, Drive End	AC894B	AB927	1
5	Dowel Pin	AB162C	AB162	4
6	End Plate, Drive	AK424	AK421	1
7*	Body Gasket	AD641	AC888	2
8	Body	AD665D	AC878G	1
9	Key	AK422	AK668	1
10	Rotor Assembly	AD648E	AC986D	1
11*	Push Pin	AD655A	AC879	2
12*	Vane, Spring	AD692	AC817	4
13*	Vane	AD691	AC816	4
14	End Plate, Dead	AD651	AC964	1
15*	Bearing, Dead End	AB519	AC894B	1
16*	End Cap, Gasket	AD644	AC837	1
17	End Cap, Dead End	AD643	AC836	1
	Muffler Assembly	AC990	AC990	1
*	Felt	AC993	AC993	1



Body styles may differ, depending on specific models.

Figure 2 – SP-A4 (FP)

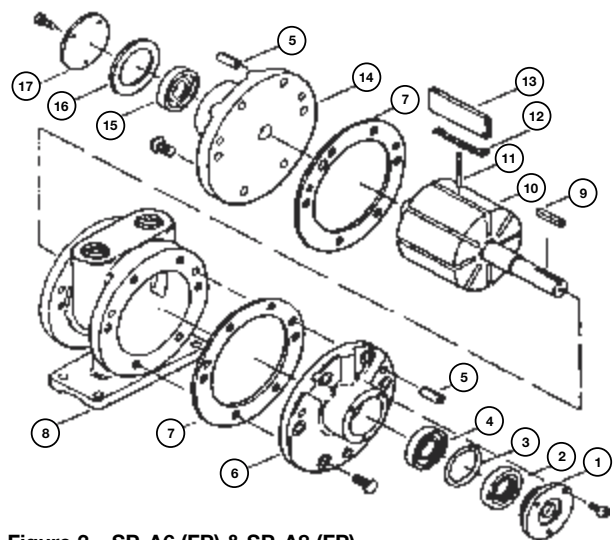


Figure 3 – SP-A6 (FP) & SP-A8 (FP)