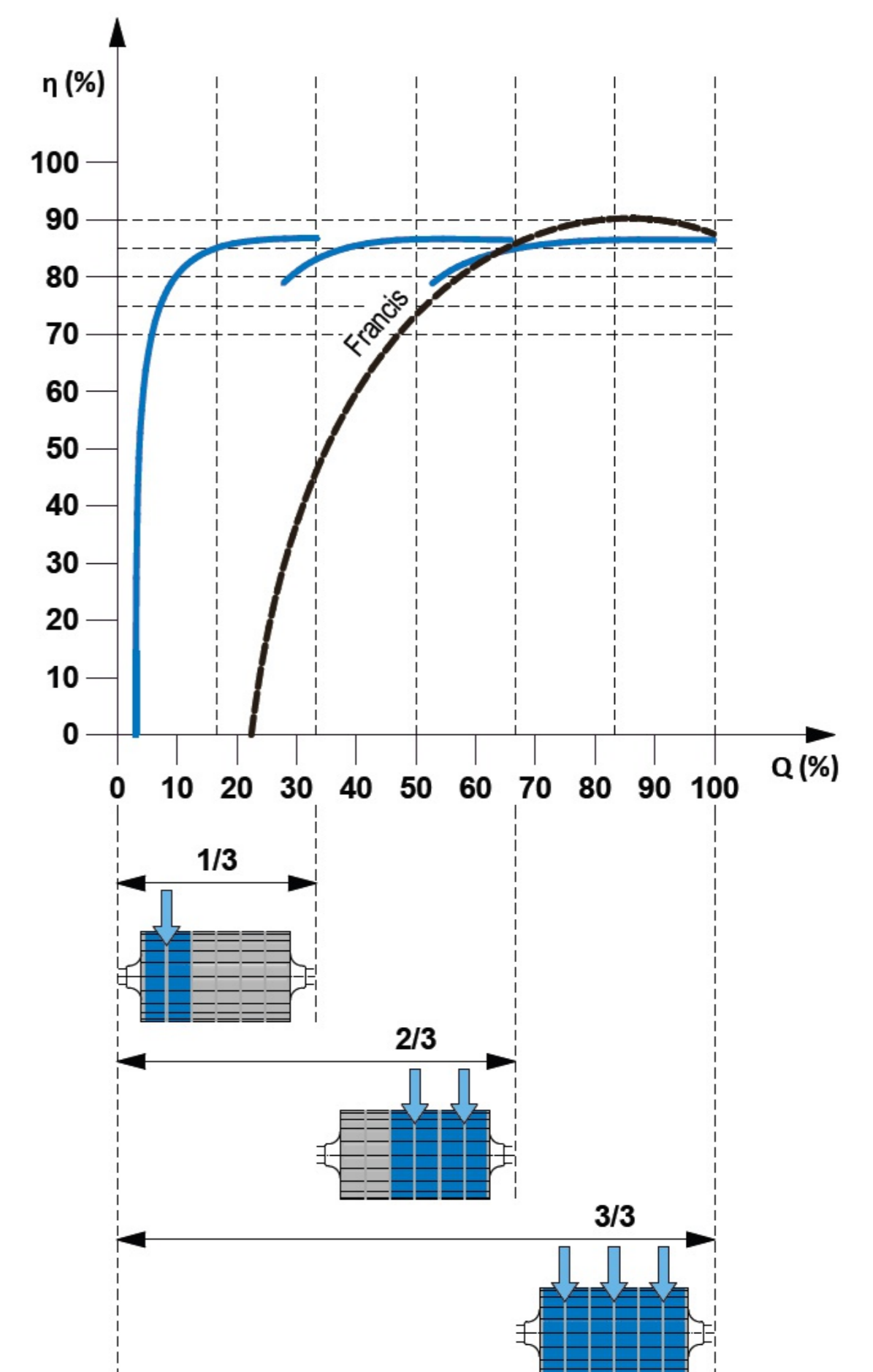
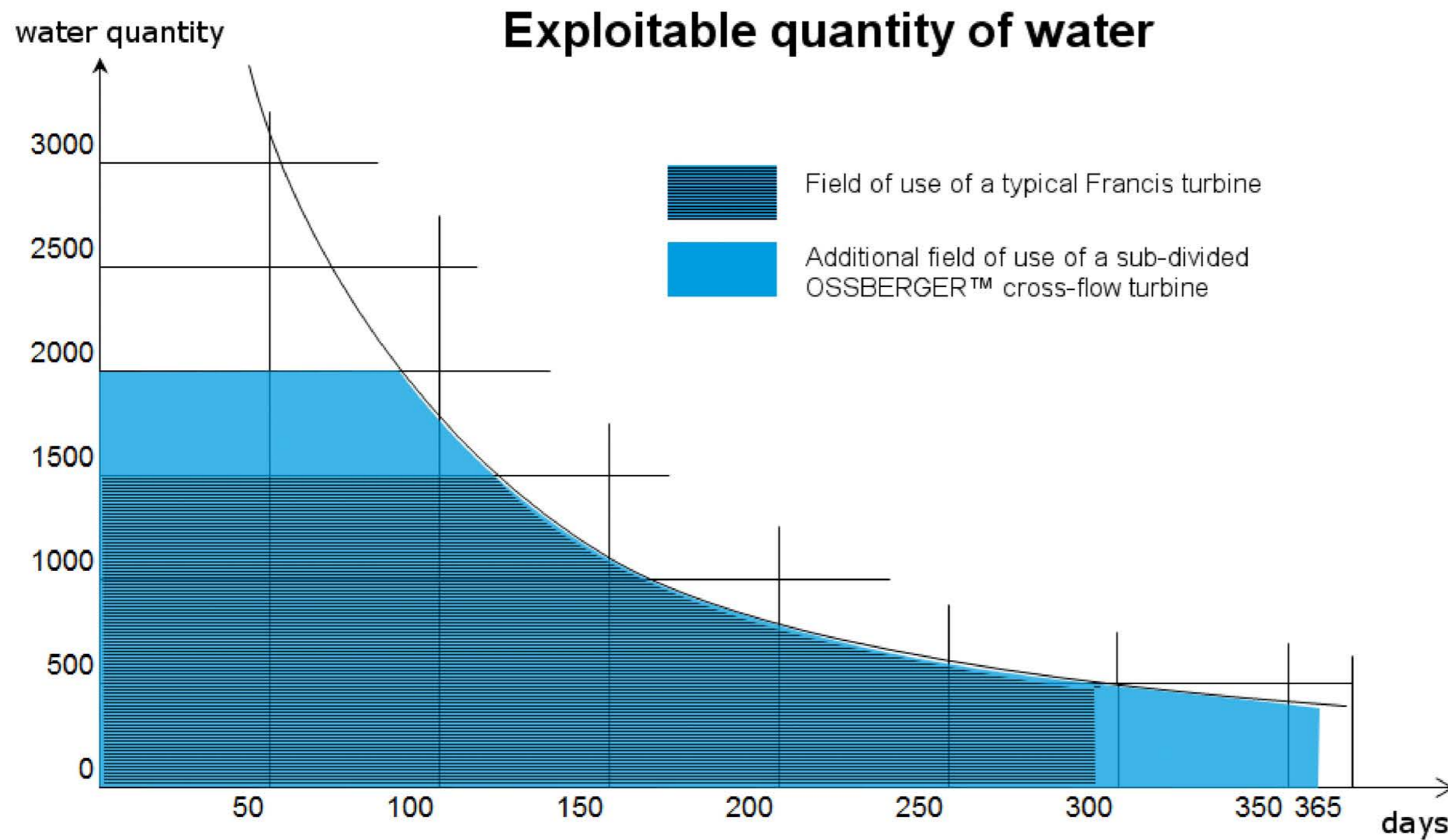
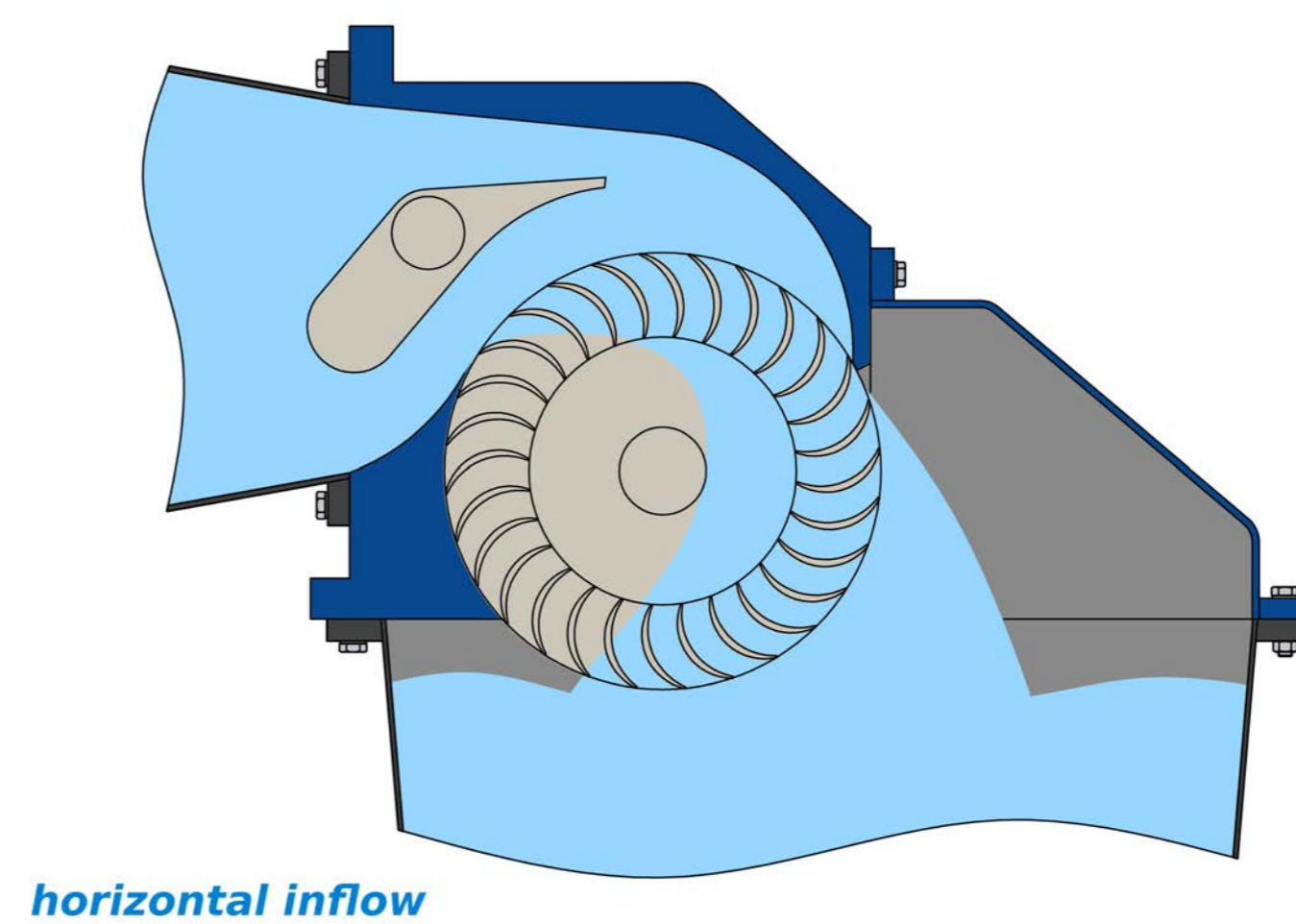
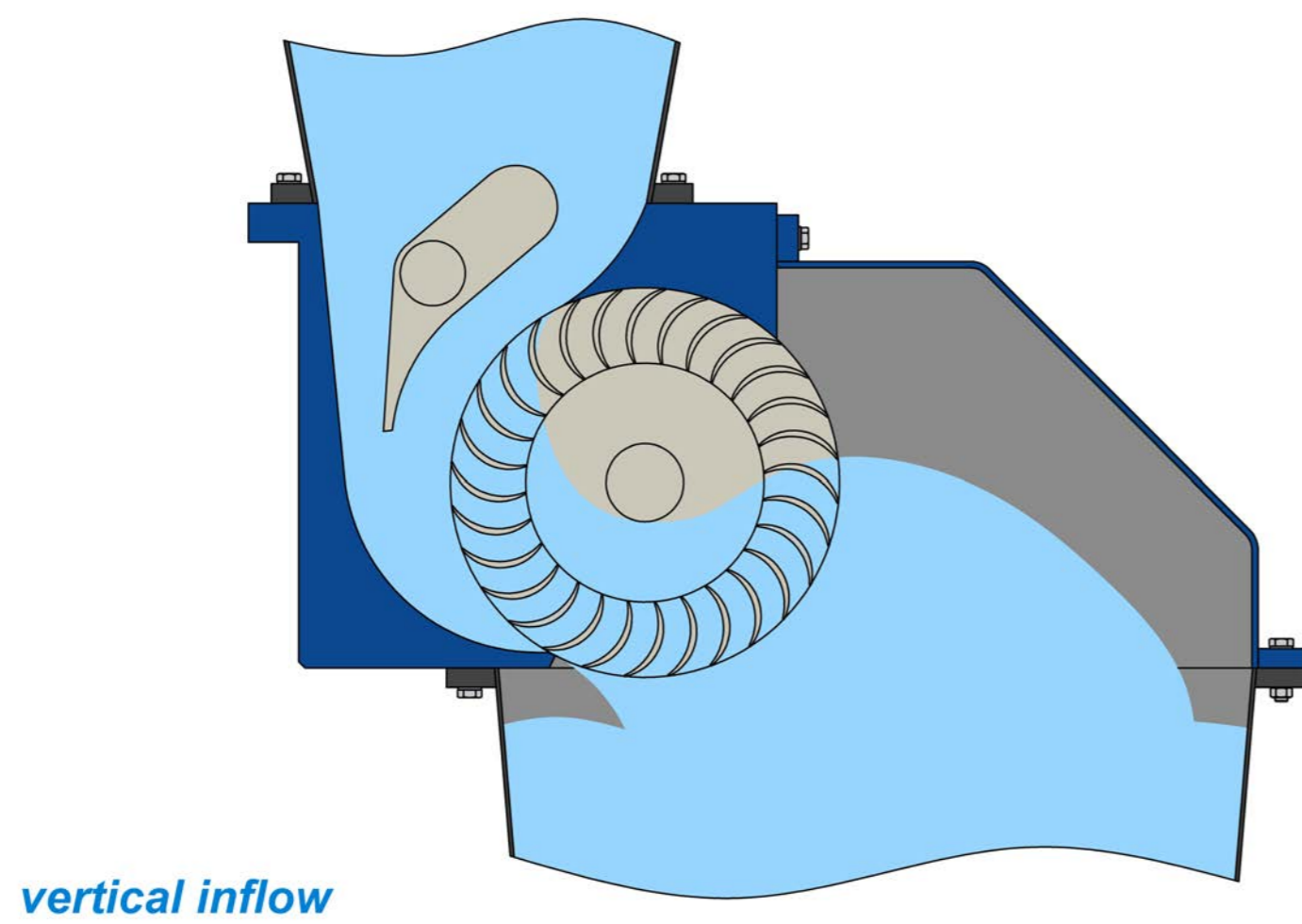
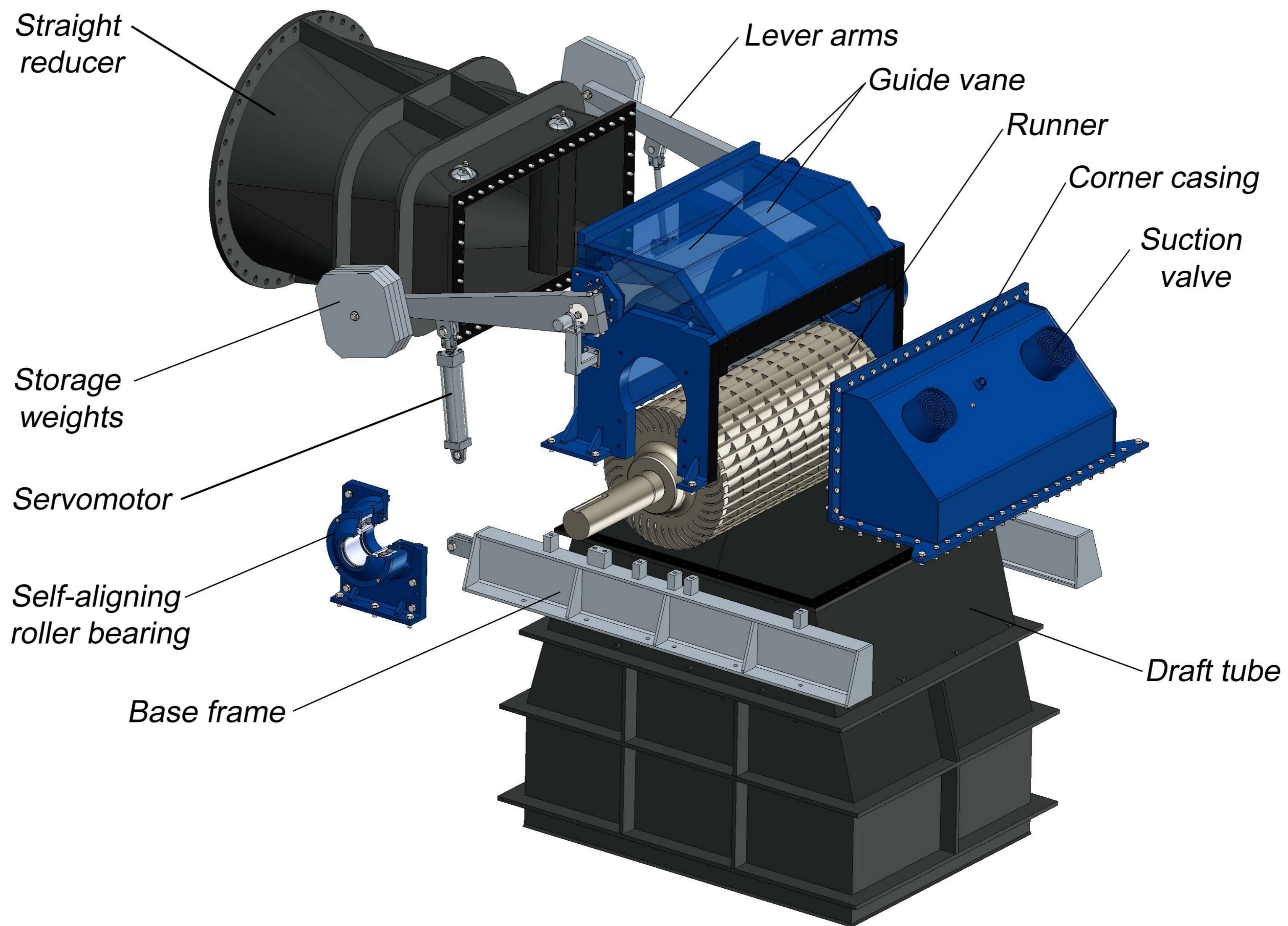


The original OSSBERGER™ cross-flow turbine



for further information, please visit www.ossberger.de