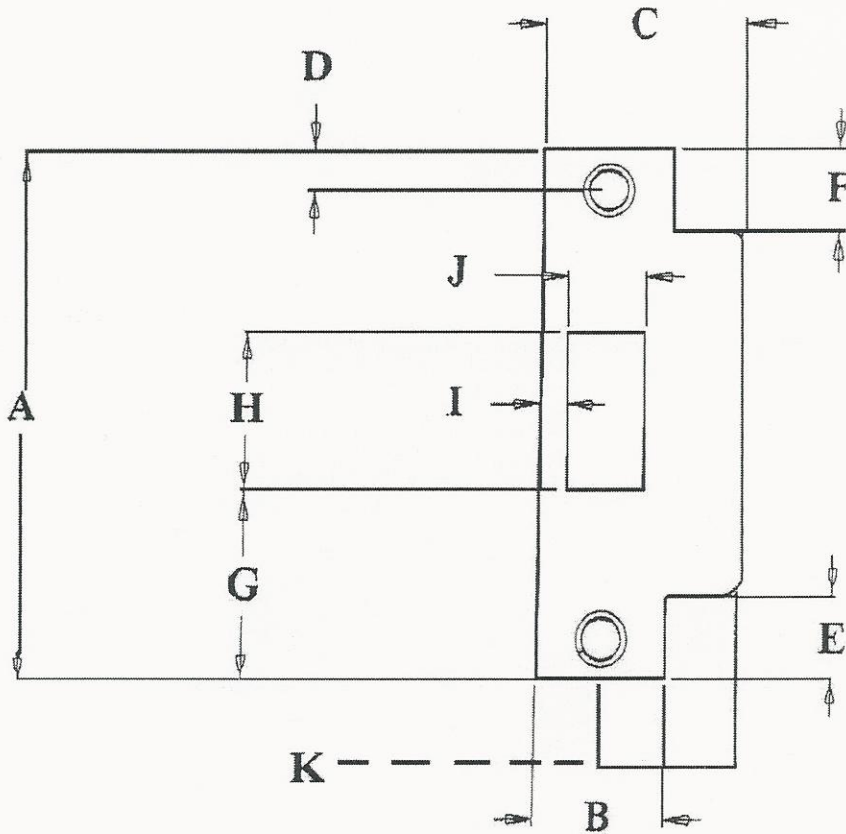




LA Custom Door

2971 Partridge Ave., Los Angeles, CA 90039
 Phone (323) 660-0669 Fax (323) 660-1699



* For mortise lock strikes,
 Please add second hole and
 all necessary measurements *

A -	E -	I -
B -	F -	J -
C -	G -	K -
D -	H -	

Finish

Handing

LH _____

RH _____

Quantity

Lip

Flat _____

Curved _____