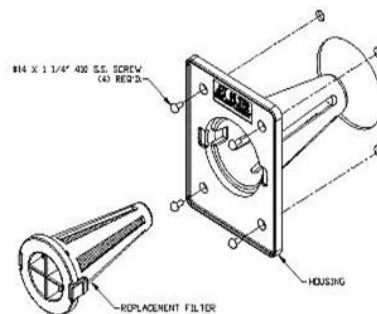


## JET Filter System Material Specification Data

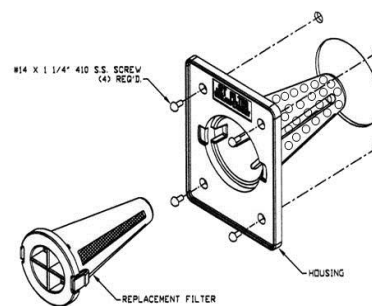
### 2 ½" Diameter ABS Units

- Housing: ABS
- Filter Cartridge: ABS
- U/V Protected
- Filter Media: Tencate Mirafi FW300
- Colors: Slate, Gray, Brown and Clay



### 2 ½" Diameter ASTM Steel & Stainless Steel Units

- Housing: ASTM A-36 Hot Rolled Steel or 316 SS
- Face Plate: ASTM A-36 Hot Rolled Steel 3/8" or 316 SS
- Ring Plate: ASTM A-36 Hot Rolled Steel 3/8" or 316 SS
- Cage: 316 Stainless Steel perforated ¼" holes 5/16" Staggered 16ga
- Filter Cartridge: ABS
- Filter Media: Tencate Mirafi FW300
- Corrosion Resistance: Powder Coated Black or 316 Stainless Steel



### 4" & 6" Diameter ASTM Steel & Stainless Steel Units

- Housing: ASTM A-36 Hot Rolled Steel or 316 SS
- Face Plate: ASTM A-36 Hot Rolled Steel 3/8" or 316 SS
- Ring Plate: ASTM A-36 Hot Rolled Steel 3/8" or 316 SS
- Cage: 316 Stainless Steel perforated ¼" holes 5/16" Staggered 16ga
- Filter Cartridge: ABS
- Filter Media: Tencate Mirafi FW300
- Corrosion Resistance: Powder Coated Black or 316 Stainless Steel

