

i-Klarity Video Solutions

Design Guide – Boardroom with VC



Boardroom with VC

One of the key function areas in any business, The Boardroom or Large Meeting Room typically caters for 6-12 people. Despite this simple design, the room offers a high degree of functionality for all users irrespective of seating position. Sources are switched by a single touch without any unnecessary changing of laptop resolutions. High quality audio is provided using full bandwidth adaptive acoustic echo cancellation on each mic input.

You may consider a local network PC for access to network drives and PC based conferencing applications such as Skype and/or Blue Jeans.

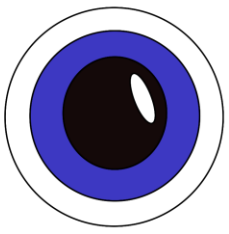
Maybe add a Blu Ray Player or a Wireless presentation System to further enhance the room capabilities.

Features

- Easily Deployable
- Fully Scalable
- Consistent user experience
- Integrates 3rd party devices
- Total 4k 60fps solution
- HDCP 2.2 compliant

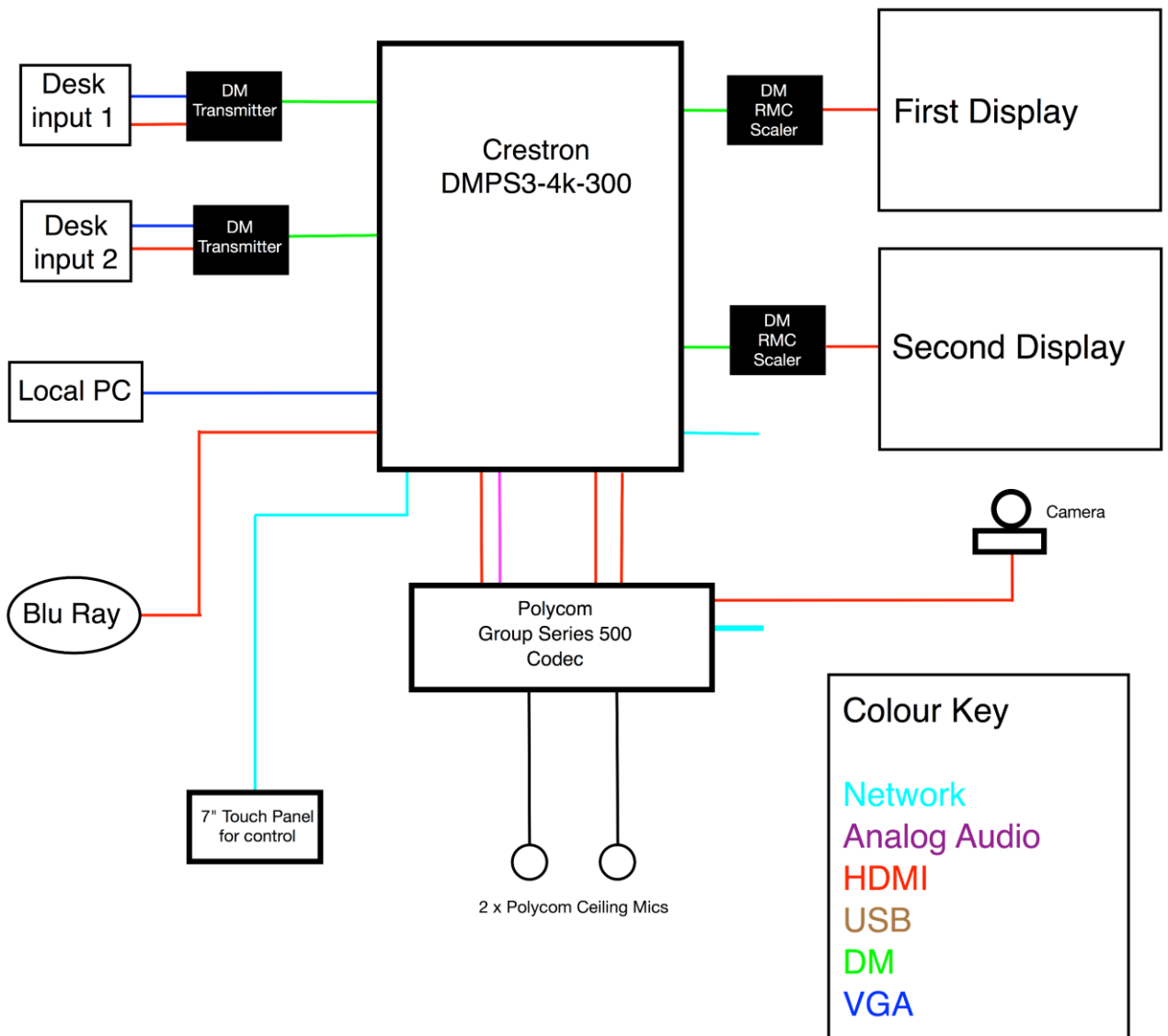


Room controlled from a Crestron 7" Touch Panel



i-Klarity Video Solutions

Typical Schematic



Key Products for consideration

Two LG Commercial 65" displays

3-Series Crestron Presentation System with Acoustic Echo Cancellation

7" Touch Panel Room Control

Crestron Desk connectivity and desk cable management

Crestron Digital Media Transmitters & DM Scaler Room Boxes

Polycom Group Series 500 VC Codec

Polycom Ceiling Mics

For more information please visit www.i-klarity.co.uk

or contact enquiries@i-klarity.co.uk