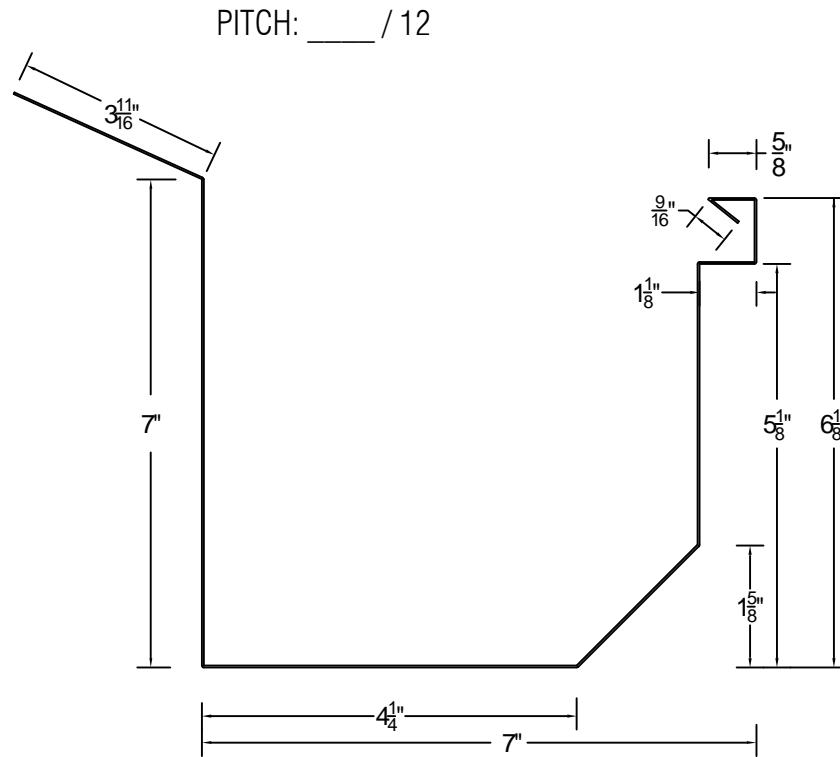


CUSTOM FLANGE GUTTER (120")

TEMPLE
Architectural Products



MATERIAL (please choose one):

- | | |
|--|--|
| <input type="checkbox"/> 24 GA Steel | <input type="checkbox"/> .040 Aluminum |
| <input type="checkbox"/> 22 GA Steel | <input type="checkbox"/> .050 Aluminum |
| <input type="checkbox"/> .032 Aluminum | <input type="checkbox"/> .063 Aluminum |

Other: _____

Color: _____

Finish: _____

Quantities:

_____ Total Linear Feet (10'-0" Lengths)
 _____ Outside Miter(s): _____ Degrees
 _____ Inside Miter(s): _____ Degrees
 _____ Right End Cap(s)
 _____ Left End Cap(s)
 _____ Brackets

24 ga colors for immediate ship:

- 1) Regal White
- 2) Medium Bronze
- 3) Dark Bronze

Other colors available upon request

Sheet ____ of ____

DWG# 700-012

Notes:

- 1) 6" wide slip joints are provided (1 per 10'-0" pc/2 per miter/1 per end cap)
- 2) External splice plates are available upon request
- 3) Written approval is required prior to fabrication, contractor is responsible for all dimensions and quantities. Fabricated items are not returnable.

Temple Architectural Products
 638 Moore Rd
 Avon Lake, OH 44012

Phone: (216) 440-3595
 Alternate: (330) 348-3983
 Fax: (440) 653-9883

Project Name: _____

Installing Contractor: _____

Contact Name: _____

Contact number: _____

Signed Approval: _____