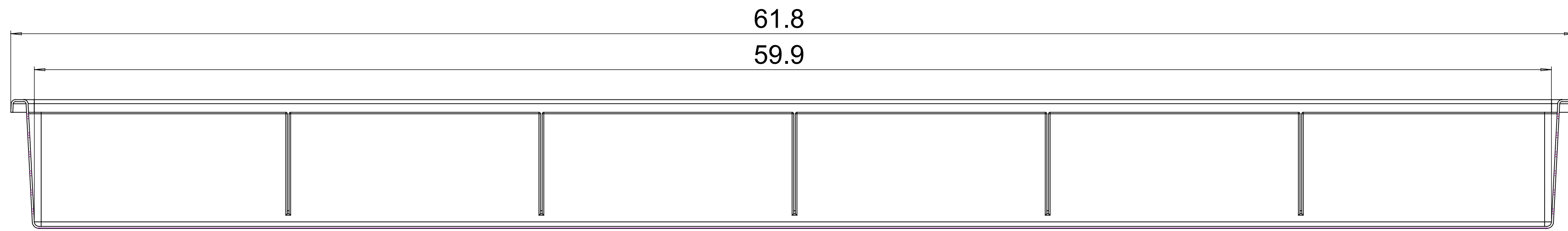
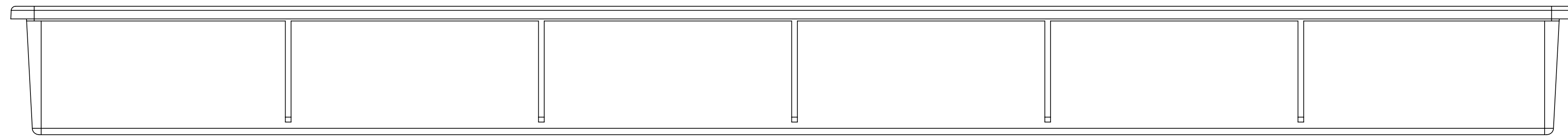


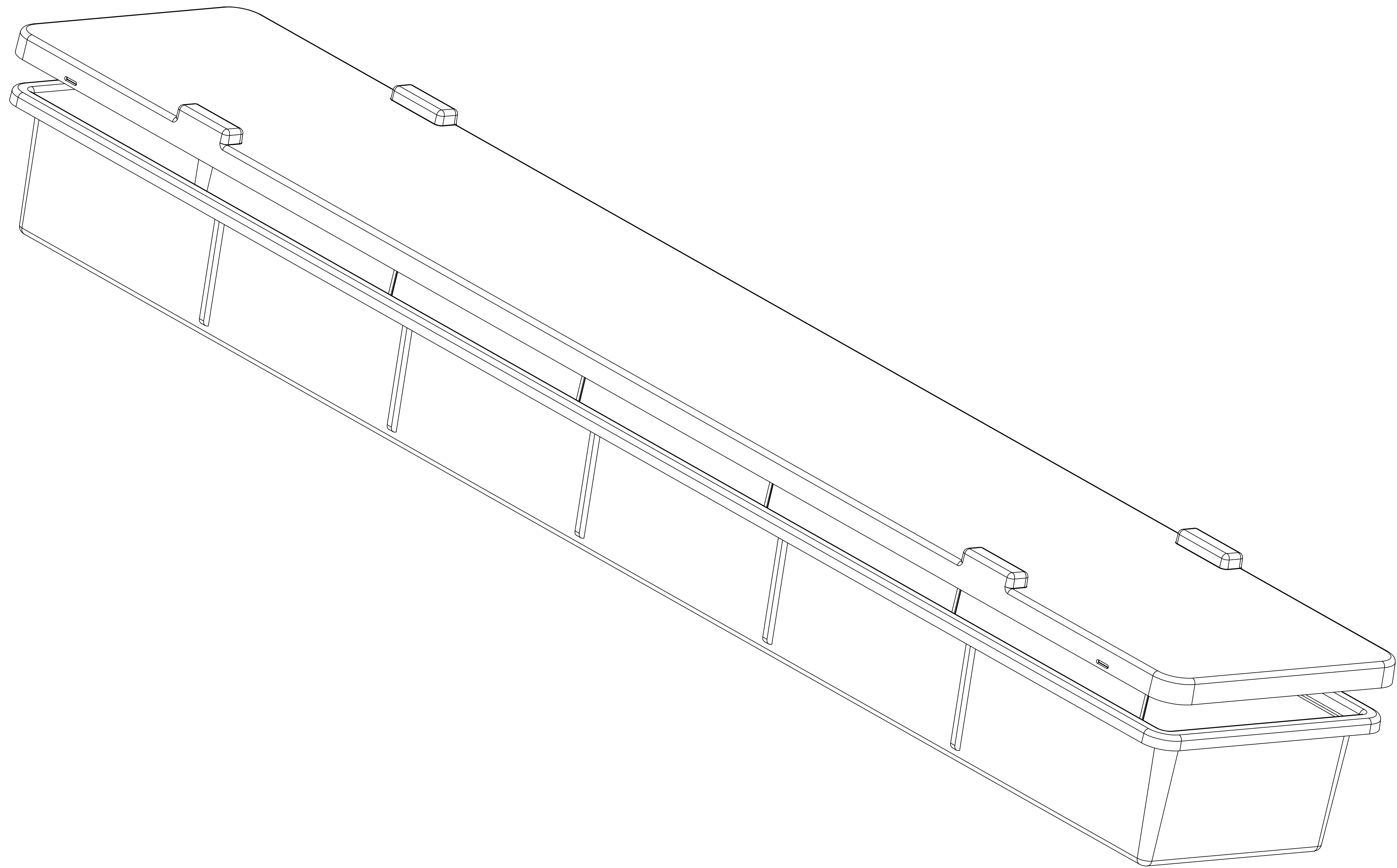
SECTION A-A
SCALE 1:3



SECTION B-B
SCALE 1:3



Hoosier Plastics, Inc.		Thermoformed Plastic Products	
2011 South Third St. Terre Haute, IN • Phone: (812) 232-5027 •			
PART NUMBER:	3345	REV A	UNLESS OTHERWISE SPECIFIED
DESCRIPTION:	TUBE TRAY		DIMENSIONS ARE IN INCHES DRAFT IS 3°
CUSTOMER:	---		DIMENSIONS TO CAVITY SIDE
CUSTOMER PART NUMBER:	---		TOLERANCES: ANGULAR: 1° DECIMAL: .020
SCALE:	1:3		THIS DESIGN IS THE SOLE PROPERTY OF HOOSIER PLASTICS, INC. UNTIL PURCHASED BY CUSTOMER
			DRAWN BY: MJM
			DATE: 8/23/2004
			MATERIAL: DOW 555 ABS
			STOCK SIZE: 5.0" x 7.8" x 60.0"
			SHEET 1 OF 2



Hoosier Plastics, Inc. Thermoformed Plastic Products

2011 South Third St. Terre Haute, IN • Phone: (812) 232-5027 •

PART NUMBER:	3345	REV	A	UNLESS OTHERWISE SPECIFIED	DRAWN BY:
DESCRIPTION:		DIMENSIONS ARE IN INCHES DRAFT IS 3°		DIMENSIONS TO CAVITY SIDE	DATE:
CUSTOMER:		TOLERANCES:		ANGULAR: 1°	MATERIAL:
CUSTOMER PART NUMBER:		DECIMAL: .020		THIS DESIGN IS THE SOLE PROPERTY OF HOOSIER PLASTICS, INC UNTIL PURCHASED BY CUSTOMER	STOCK SIZE:
SCALE: 1 : 2					SHEET 2 OF 2