



Quality Wholesale Window Coverings
Contract • Hospitality • Healthcare • Residential

Roller Shade Side Channel Measure and Installation Guide

(please read before installing)

This guide describes the installation of the side channel for roller shades. See the guide included with the shades for specific shade mounting instructions.

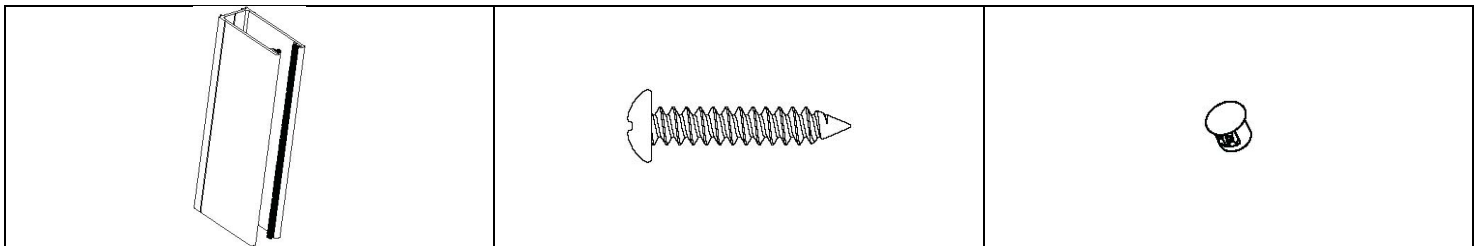
Tools required: Tape Measure, Diagonal Pliers, Power Drill, 1/4" Drill Bit, 3/8" Drill Bit, Level, #3 Phillips Screwdriver, Miter Saw

Box Contents:

Side Channel

Mounting Screw (#6x3/4" phillips Head)

3/8" Hole Plugs



Caution: Risk of falling objects. Securely install the roller shade system per the mounting instructions. Failure to do so could result in minor or moderate injury.

Notes:

- Shades wider than 4' require two people to install
- Codes: Install in accordance with all local and national electrical codes
- Environment: Ambient operating temperature: 32°F-104°F, 0-90% humidity, non-condensing, Indoor use only
- Maintain sufficient clearance between the moving shade and any object

1. Measure and Match Side Channel Length

1.1 Measure the height of the opening where side channel is to be installed and verify that each piece fits in the intended space.

Note: For fascia and pocket installations, measure from the bottom of the top treatment to the windowsill.

Side Rail Deductions:

3" fascia	3 1/8"
4" fascia	4 1/8"
5" fascia	5 1/4"
No fascia	Cut to ordered height/ customer to cut at installation

Measure and Match Side Channel Length Continued

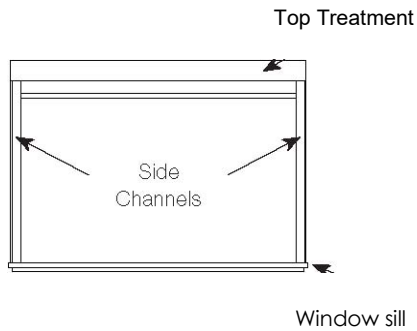
Shade Box:

RE 3"	3 1/8"
BT 3.5"	3 5/8"
RE 4"	4 1/8"
BT 4.75 x 5	5 1/8"
RE 6"	6 1/8"

Note: Sill angle and channel will be cut $5 \frac{1}{16}$ " less than ordered width, to fit between 2.5" side channels.

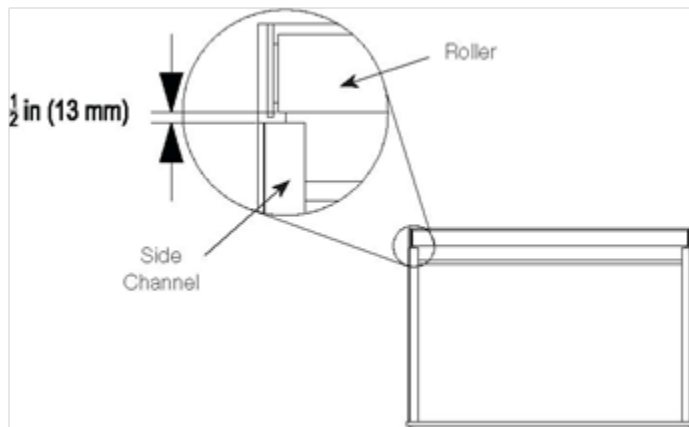
Note: Side rails cannot be used with cassettes.

Top of the side channel is flush with the top treatment



1. Measure and Match Side Channel Length Continued

Note: if not using top treatment, maintain a space of $\frac{1}{2}$ " between roller and top of side channel.

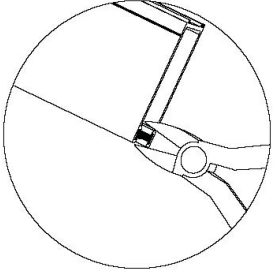


1.2 Cut any pieces that need additional trimming with a miter saw. Leave the protective plastic coating in place to prevent scratching the side channel while cutting. Be careful to keep track of which side channel section goes with which window.

Tip: Labeling each piece with a marker can help keep track of which pieces go where. The marks will not be visible after the protective plastic coating is removed.

1.3 If side channels were trimmed, crimp the cut ends of the side channel with a pair of pliers to prevent the wool pile from sliding out of the side channel.

Use diagonal pliers to crimp the cut ends



Notice: Crimping the wool pile channels will prevent the wool pile from moving and getting tangled in the shade.

2. Identify the Bottom End of the Side Channel

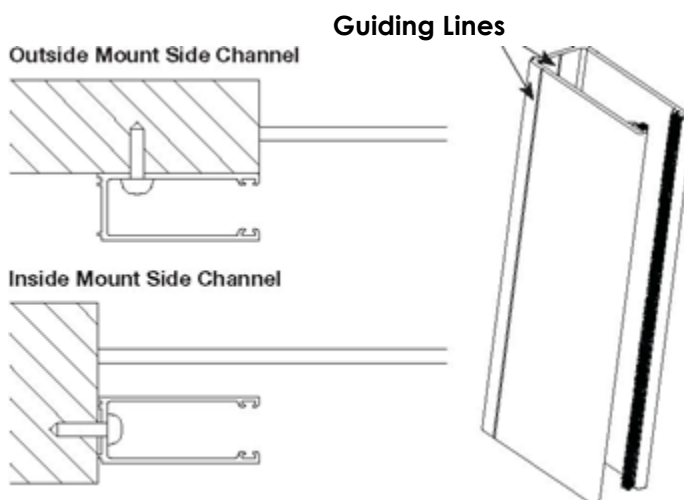
2.1 Inspect the wool pile inside of the side channel. The wool pile fibers will be pointed slightly towards one end of the side channel. The end they point to is the bottom end of the side channel. Mark the bottom and top ends of each piece.

Note: Light shades can be slowed or stopped by stiff wool pile fibers. Install the side channel with the fibers pointing downwards can reduce this effect.

3. Drill Mounting Holes

3.1 Whether the installation type is inside or outside mount, mark the places on the side channel where the mounting screws are to be placed. Drill holes through both sides of the side channel with a 1/4 in drill bit.

Drill Mounting Holes Continued



Note: Drill the holes along the guiding lines in the side channel.

This will ensure the holes are in the proper alignment and will help prevent interference between the mounting screws and shade fabric.

3.2 For outside mounted side channel, drill a clearance hole in only the room side of the side channel with a 3/8" drill bit. This hole will be used to access the 1/4" hole behind it.

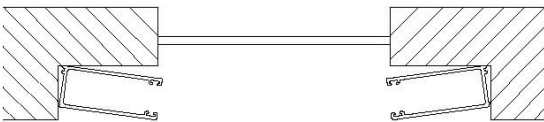
Notice: Do not drill all the way through both sides of the side channel. The hole will be too big for the mounting screws to hold the side channel.

3.3 Clear the side channel and wool pile of any metal chips after cutting and drilling the side channel. This will reduce noise and help protect the shade fabric.

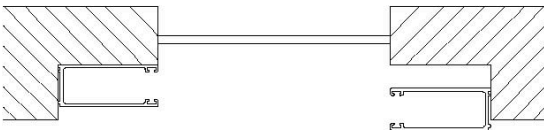
4 Mount the Side Channel

4.1 locate side channel for each shade according to the shade's bracket to bracket width. Insert the mounting screws through the holes drilled in step 3 and tighten them with a #2 phillips screwdriver.

Note: Side channel sections should be spaced so that only 1/2" to 1" of the shade is inside the side channel.
Side channel sections are not straight



Side channel sections are not aligned



Side channel sections are straight and aligned



Notice: Do not over tighten the mounting screws. This can cause the side channel to warp, especially if the mounting surface is not flat.

Tip: Inserting the mounting screws near the top end first can help prevent the side channel section from tipping over while installing the rest of the mounting screws.

4 Mount the Side Channel Continued

4.2 Repeat step 4.1 for each piece of side channel, making sure that each pair is installed plumb, level and square.

4.3 For outside mount only insert hole plugs where needed to cover the 3/8" screwdriver clearance holes.

5. Troubleshooting

Fabric does not move smoothly

Align and straighten side channel

Orient side channel so wool pile points downward

Ensure shade or hembar is not rubbing on the side channel or mounting screws

Ensure shade is not rubbing on the edge of the side channel

Shade motion sounds abnormally loud inside the side channel

Ensure shade is not rubbing on the edge of the side channel

Shade hembar comes out of the side channel when the shade opens

Set shade open limit below the top of the side channel

Shades blow out of the side channels

Equalize air pressure by providing a path for air flow on the window side of the shade, perhaps by drilling holes in the top of the pocket or top back cover