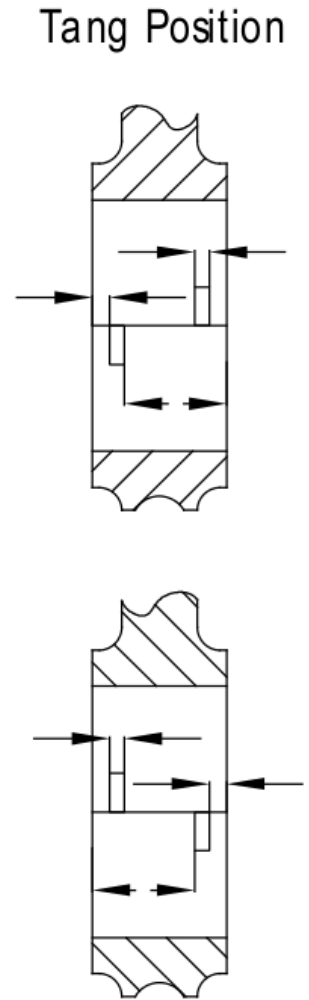
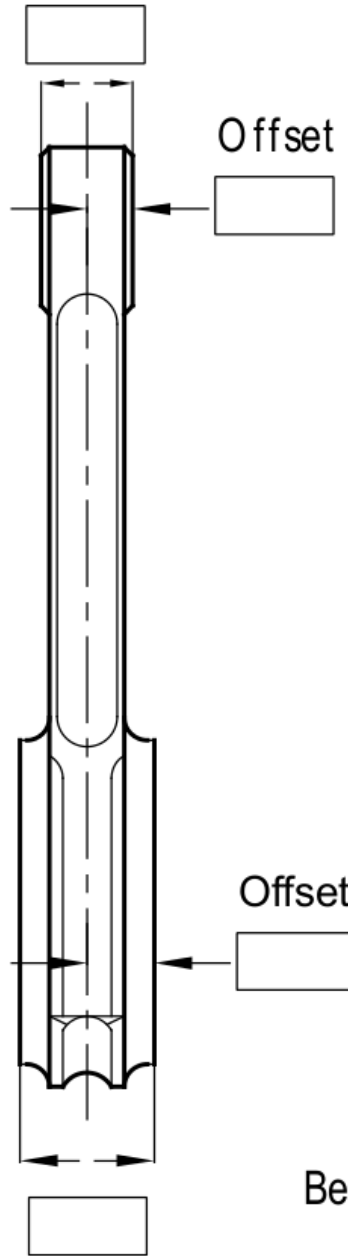
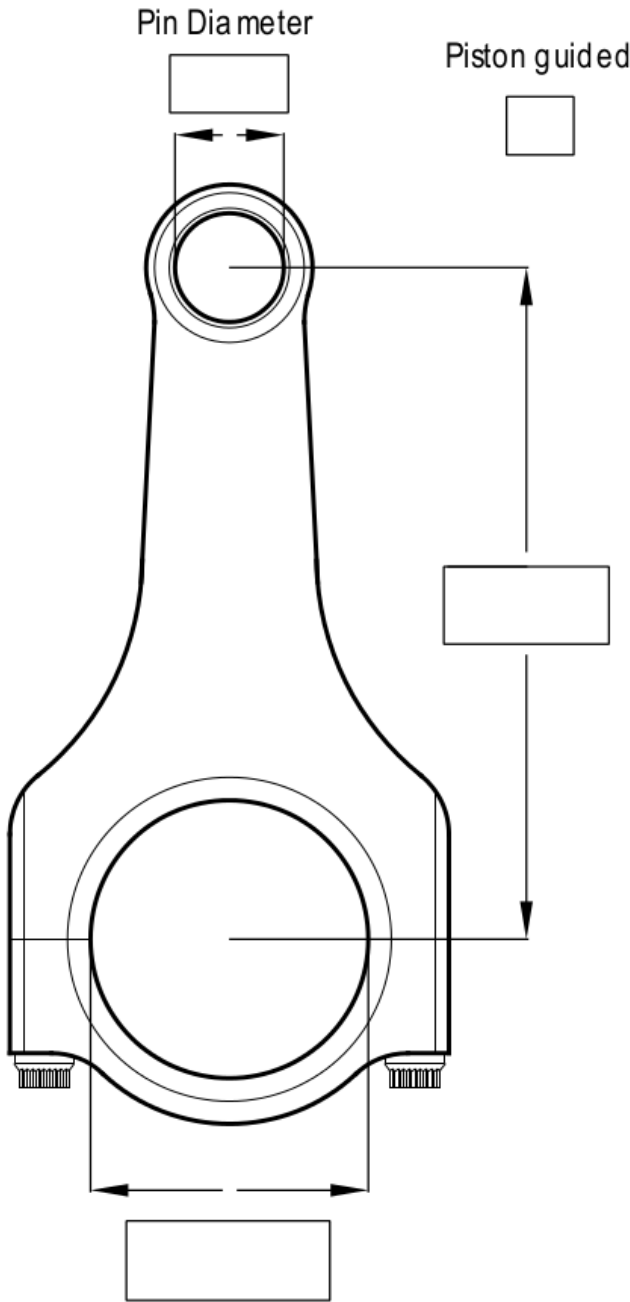


Phone: +1-980-222-4432  
info@kowiautomotive.com  
www.kowiautomotive.com

Company: .....  
Contact: .....  
Phone: .....  
email: .....  
Date: ..... Quantity: .....



Bearing: .....

Engine: ..... # of cylinders: .....

Steel  Titanium  Aluminum

Stroke: ..... Bore: .....

Note: .....

Expected Torque: ..... Expected HP: .....

Piston weight (incl. pins and rings): .....

Nitro  Turbo  Pressure: .....

Max. RPM: ..... Application (endurance, rally, etc.): ..... Order #