

HALI-BRITE®

HBM 175/3

L-801H and L-802H Heliport Rotating Beacon

Compliance with Standards:

FAA:L-801H A/C150/5345-12 (Current Edition)

L-802H A/C150/5345-12 (Current Edition)

ICAO: Annex 14, para 5.3.3

Applications

L-801H and L-802H Rotating Beacons are designed primarily for night operation as identification and location markers for heliports.

Features

- Patented belt-drive system eliminates the lubrication maintenance required by conventional gear-drive beacons (U.S. Pat. 5,339,224)
- Patented liquid-filled lamp connector, eliminating the slip rings and brushes found on conventional beacons (U.S. Pat. 5,816,678)
- Three 12,600 lumen, 175 watt metal-halide lamps
- 7,500 hour typical lamp life (1-2 years)
- One clear, one aviation green, and one yellow lens
- Available in Hospital Heliport version (not FAA certifiable)
- NO maintenance except lamp replacement
- All moving parts are permanently lubricated
- Impedance-protected motor eliminates burnouts
- Lamps preset 5° above horizontal, adjustable
- 12 RPM rotation, 36 flashes/minute
- Weatherproof steel cabinet, powder coated international orange
- Class I temperature range: -30 to +55 °C (-22 to +131 °F)
- Class II temperature range: -55 to +55 °C (-67 to +131 °F)
- Tested to wind velocities of 100 mph
- Optional photocell and/or tell-tale relay
- Mountable on a Hali-Brite Tipdown Pole
- Military version available
- Power Consumption: 655W Class I, 1055W Class II
- Manufactured in the USA



Beacon Tipdown Pole

AAE Advanced Airport Equipment

email : Sales@advancedairporequipment.com

7857-12 Drew Circle
Fort Myers, Florida 33967
Tel: 866-273-5906 Fax: 866-345-5906
Intl 239-432-0200 Fax: 239-432-0219

Manufactured by **HALI-BRITE®**

Ordering Information

Part Number	Description
L801H3116	120 VAC, 60 Hz, Class I
L801H3116H	120 VAC, 60 Hz, Class I, Hospital Heliport
L801H3125	220-240 VAC, 50 Hz, Class I
L801H3125H	220-240 VAC, 50 Hz, Class I, Hospital Heliport
L801H3126	220-240 VAC, 60 Hz, Class I
L801H3126H	220-240 VAC, 60 Hz, Class I, Hospital Heliport
L801H3216	120 VAC, 60 Hz, Class II
L801H3216H	120 VAC, 60 Hz, Class II, Hospital Heliport
L801H3225	220-240 VAC, 50 Hz, Class II
L801H3225H	220-240 VAC, 50 Hz, Class II, Hospital Heliport
L801H3226	220-240 VAC, 60 Hz, Class II
L801HS3226H	220-240 VAC, 60 Hz, Class II, Hospital Heliport

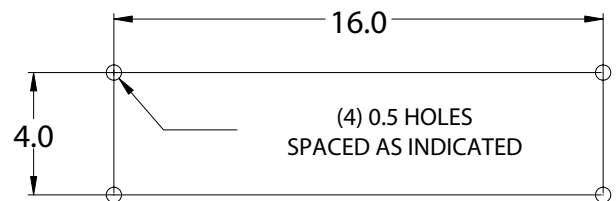
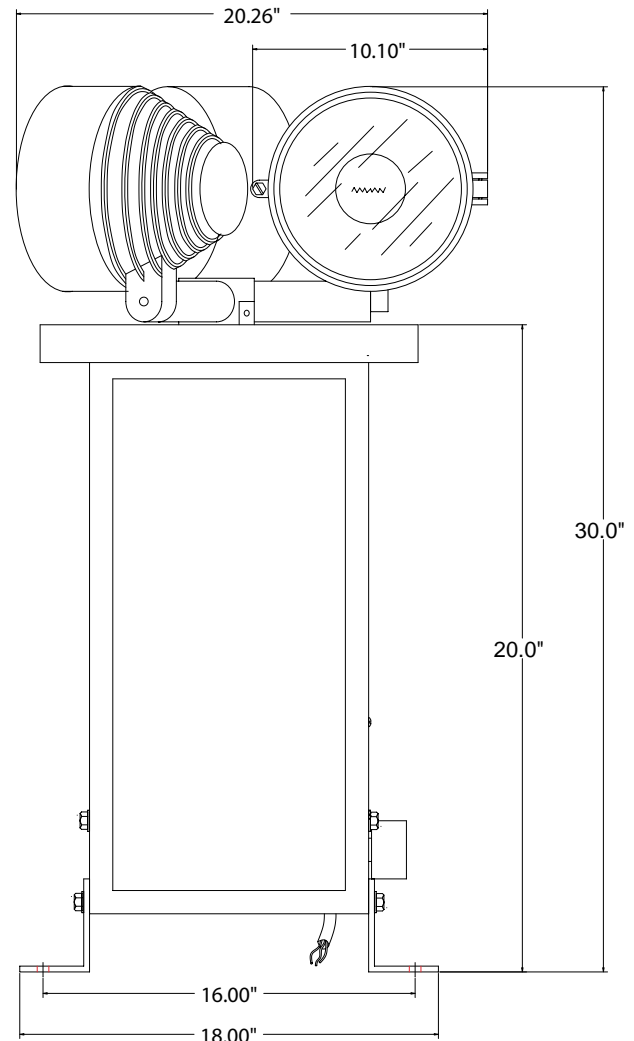
NOTE: (1) Specify L802 in part number for L802 version(2) 220-240 VAC is single wire with neutral

Options

Part Number	Description
L801/802 T/T HBM 120	Tell-tale Relay, 120 VAC
L801/802 T/T HBM 240	Tell-tale Relay, 220-240 VAC
4200-0000	Tower Mounting Kit
4200-0002	REA Pole Mounting Kit

Replacement Parts

Part Number	Description
0200-0002-3	Ballast Assy 50 Hz
0200-0001-3	Ballast Assy 60 Hz
0600-0003	Belt
2300-0002	Motor Fuse, 1/2 amp
2300-0012	Lamp Fuse, 8 amp
3400-0175U	Lamp, 175 watt
2800-0006	Lens, Clear
2800-0043	Lens, Green
2800-0025	Lens, Amber
2800-0010	Lens, Red
1500-0011	Lens Clip



MOUNTING BOLT PATTERN

Shipping Information

Unpackaged Weight: 90 pounds
 USA Shipping Weight: 175 pounds
 USA Shipping Volume: 48"x42"x25"
 International Shipping Weight: 110 pounds
 International Shipping Volume: 48"x42"x25"

The information contained in this document is subject to change without notice.

AAE Advanced Airport Equipment

7857-12 Drew Circle
 Fort Myers, Florida 33967
 Tel: 866-273-5906 Fax: 866-345-5906
 Intl 239-432-0200 Fax: 239-432-0219

Manufactured by **HALI-BRITE®**

email : Sales@advancedairportequipment.com