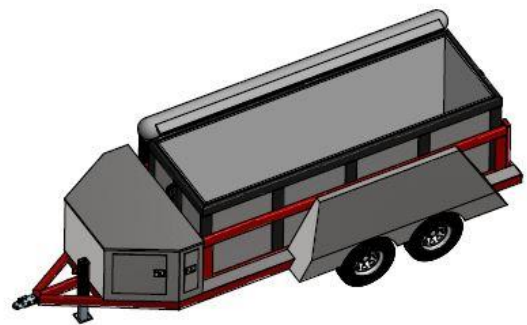
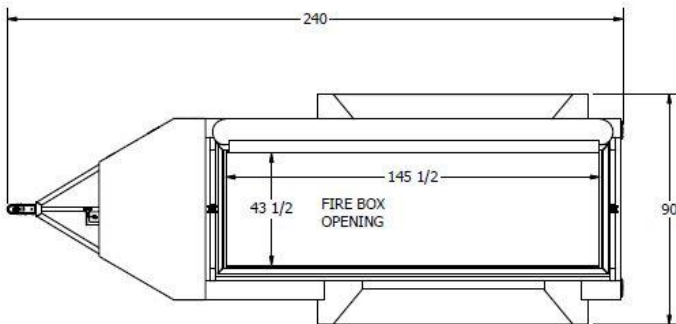


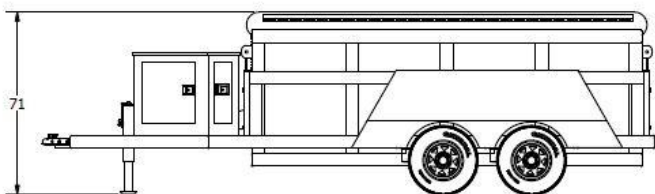


## Mobile Incinerator

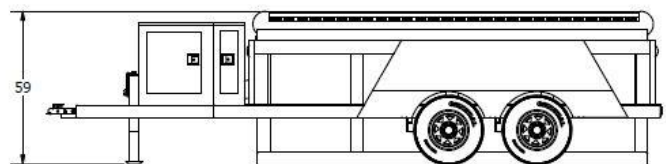
A trailer mounted portable unit. Can be used to incinerate contaminated materials.



FULL ASSEMBLY WEIGHT: APPROXIMATELY 7,000lbs  
TOWING TONGUE WEIGHT: APPROXIMATELY 800lbs



RAISED FIRE BOX POSITION



LOWERED FIRE BOX POSITION

