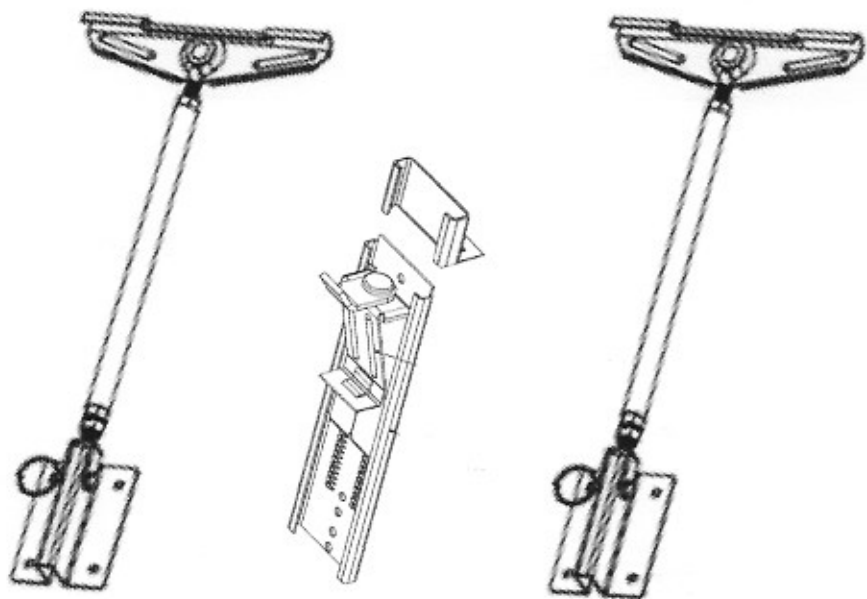


# FABRICATORS FOR FABRICATORS

---



---

**The Never Fall Complete  
Sink Repair System**

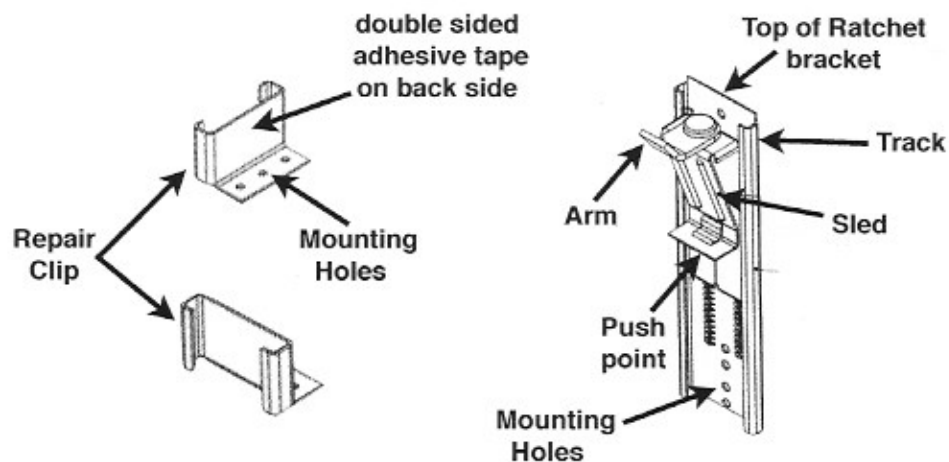
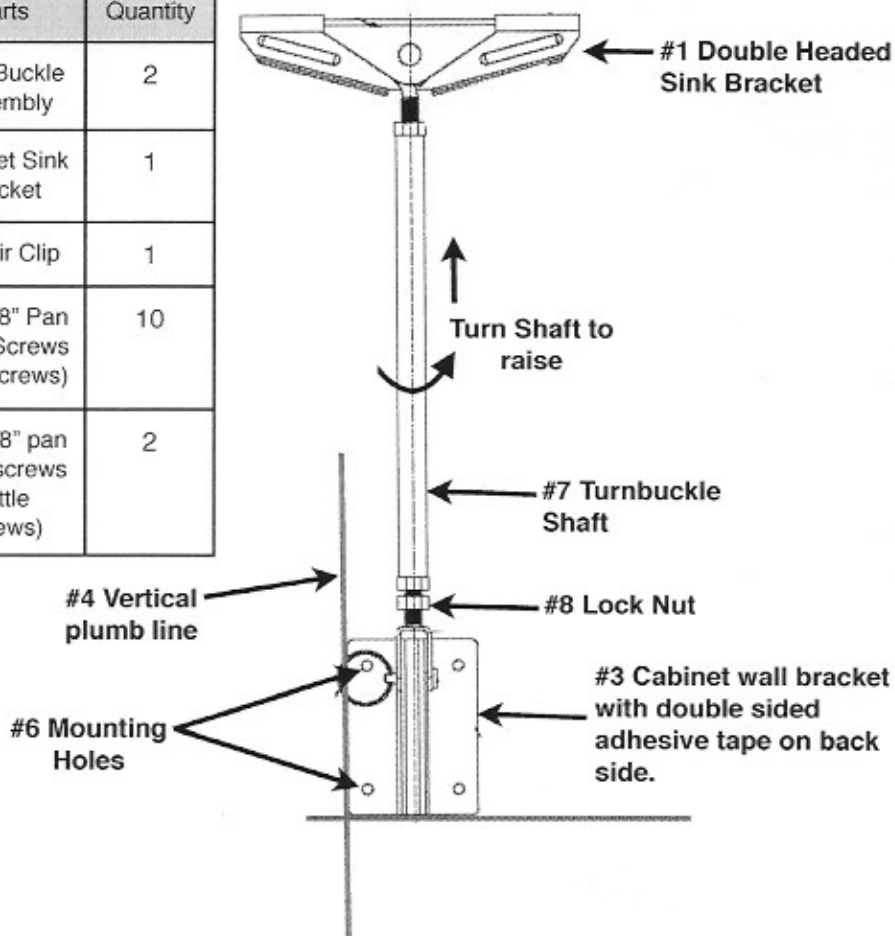
---

**Instructions**

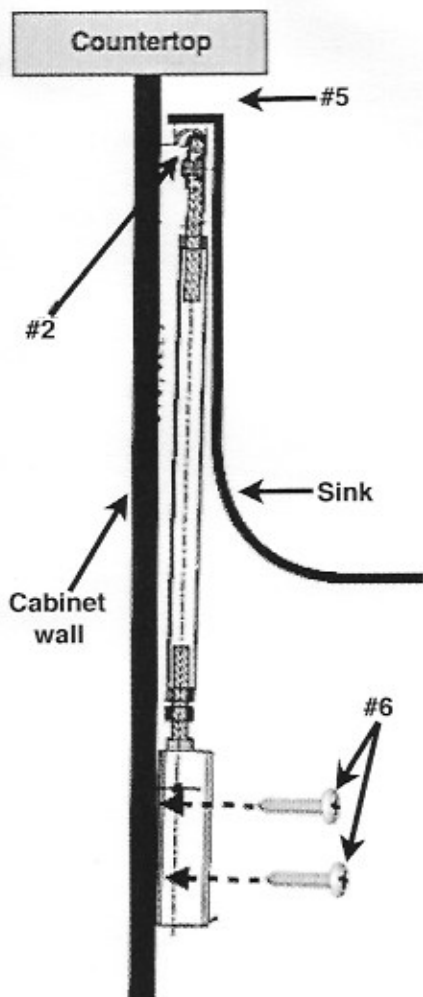
---

# Name of General Parts

Parts	Quantity
Turn Buckle Assembly	2
Ratchet Sink Bracket	1
Repair Clip	1
#8x 5/8" Pan head Screws (Big Screws)	10
#6x 3/8" pan head screws (Little Screws)	2



## INSTALLATION INSTRUCTIONS



Step 1: Insert the double headed sink bracket (See #1) into the inner flange of the sink (See #2) (note that one double headed sink bracket takes the place of two supports).

Step 2: Place the cabinet wall bracket (See #3) against the cabinet wall and mark the side and bottom of where the bracket will be mounted. Draw a vertical plumb line (See #4) to the side of the bracket (note it is important to mount the bracket vertically plumb).

Step 3: Apply sealant (preferably silicone) to the opening between the sink and countertop (See #5) where the sink has failed.

Step 4: Peel the double sided adhesive tape from the back of the wall bracket (See #3) and press the wall bracket against the cabinet wall lining up with the vertical plumb line. The temporary adhesive will hold the bracket in place while installing the four *number 8 X 5/8"* pan head screws (See #6) provided.

Step 5: Simply turn the turnbuckle shaft by hand (See #7) until the sink raises and begins to compress the sealant as it makes contact with the countertop and the sealant begins to ooze out (See #5).

Step 6: Wait a few seconds then rotate the turnbuckle shaft by hand (See #7) approximately 1/4 of a turn more to ensure adequate pressure seal between the sink and countertop. Note: It is not recommended to turn the turnbuckle with wrenches because over tightening can occur. Only hand tightening is needed to lift the sink back into place.

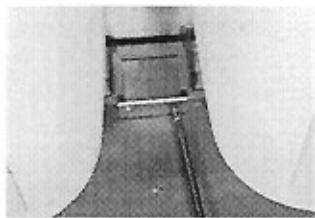
Step 7: Tighten the lock nut with wrench to the turnbuckle shaft. (See #8) A wrench is only used on the lock nut, but no where else during installation. Wait over night for sealant to cure before using the sink. **CAUTION, DO NOT OVER TIGHTEN TURNBUCKLE.** By over tightening the turnbuckle, lifting of the top can occur and may cause damage to the countertop.

## FRONT RATCHET AND REPAIR CLIP INSTALLATION INSTRUCTIONS

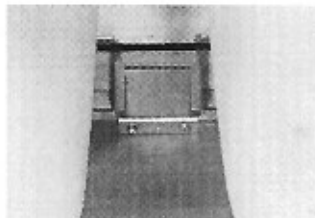
Step 8: For optional front sink support, simply install the repair clip to the upper front frame of the cabinet toward the center of the sink with the two *number 6x 3/8" pan head screws* (See #10 - #11) that are provided. (Peel the double sided adhesive tape from the back of the repair clip to temporarily hold the clip before installing the screws.) (See #9). Then, slide the top of the ratchet bracket track into the repair clip (See #12) and secure with one *number 8x 5/8" pan head screw* at the bottom mounting holes (See #13). Finally, push up the ratchet bracket from the push point of the sled until the arm meets with the sink and countertop (See #14). Refer to our YouTube video for further instructions: <https://www.youtube.com/watch?v=iyEfR3YT7tA>



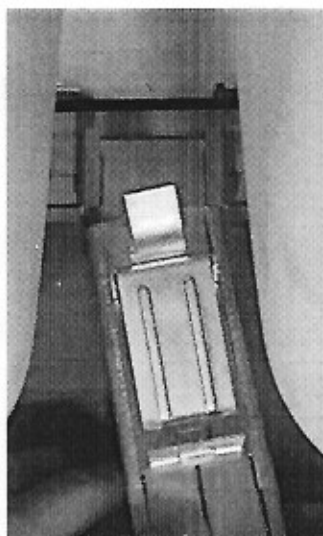
#9



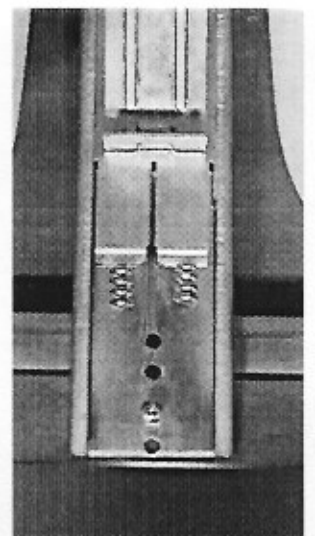
#10



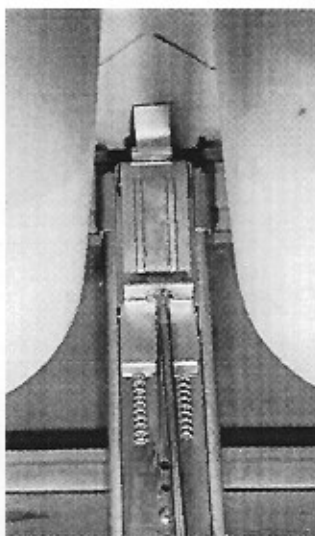
#11



#12



#13



#14

**Fabricators For Fabricators LLC,  
15000 Route 30 East  
North Huntingdon, PA 15642**