

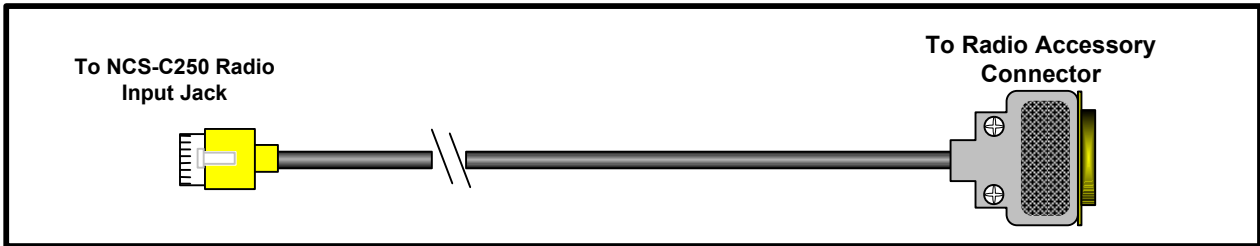
Radio Interface Cable

For NCS-C250 Mobile Multi-Switcher

NCS Model Number
NCS-250-KAA-XX

Compatible Radios:

TK-7150	TK-5720	TK-5830	NX-5800
TK-8150	TK-5820	TK-5930	NX-5900
TK-7180	TK-5810	NX-700	
TK-8180	TK-5910	NX-800	
TK-5710	TK-5730	NX-5700	

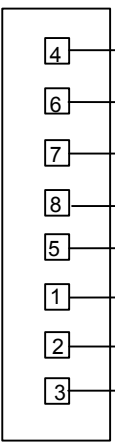


RJ-45

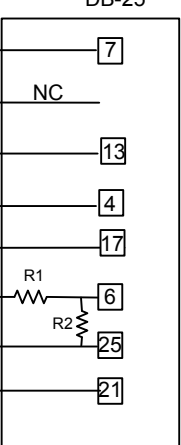
Pin #	Wire Color	Function
1	White	Mic Hi
2	Green	Mic Lo
3	Brown	PTT
4	Black	Ground
5	Yellow	Rx Audio
6	Shield	Ground
7	Red	Hook Sw*
8	Orange	COR*

*Active only if Switch Hook or COR Option installed.

RJ-45



DB-25



Cable Wiring

Notes:
Using the appropriate radio programming software, program the following functions on the indicated pins of the accessory connector:

1. Pin 21, Auxiliary I/O4 on ACC connector must be programmed for PTT
2. Pin 4, Auxiliary I/O9 on ACC connector must be programmed for COR if COR option installed in NCS-C250
3. Pin 13, Auxiliary I/O6 on ACC connector must be programmed for Hook Switch if Hook Switch option installed on NCS-C250