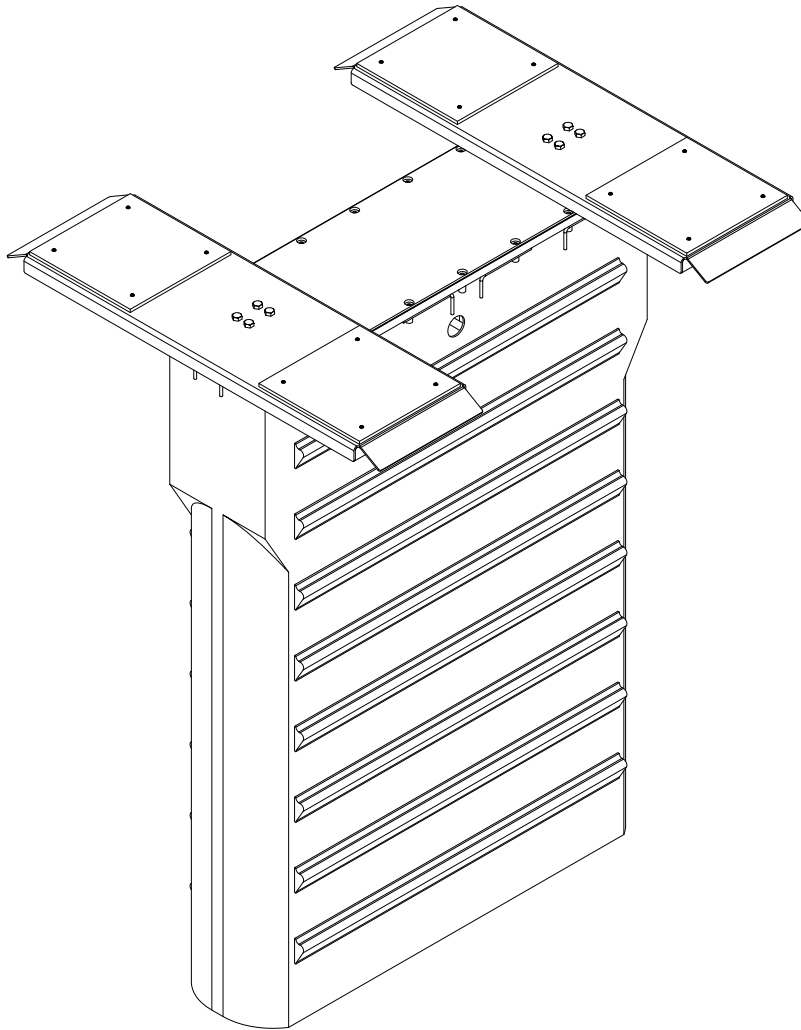


CL Challenger Lifts

INSTALLATION & OPERATION MANUAL SUPPLEMENT

10,000 LB FIXED PAD ADAPTER



200 CABLE STREET, P.O. BOX 3944 LOUISVILLE, KENTUCKY 40201-3944
EMAIL: SALES@CHALLENGERLIFTS.COM WEB SITE: WWW.CHALLENGERLIFTS.COM
OFFICE 800-648-5438 / 502-625-0700 FAX 502-587-1933

**IMPORTANT: READ THIS MANUAL COMPLETELY BEFORE INSTALLING OR
OPERATING LIFT**

10,000 lbs Fixed Pad Adapter
Installation & Operation Supplement

Read entire manual before assembling, installing, operating, or servicing this equipment. Proper maintenance and inspection is necessary for safe operation. DO NOT operate a damaged lift.

GENERAL SPECIFICATIONS

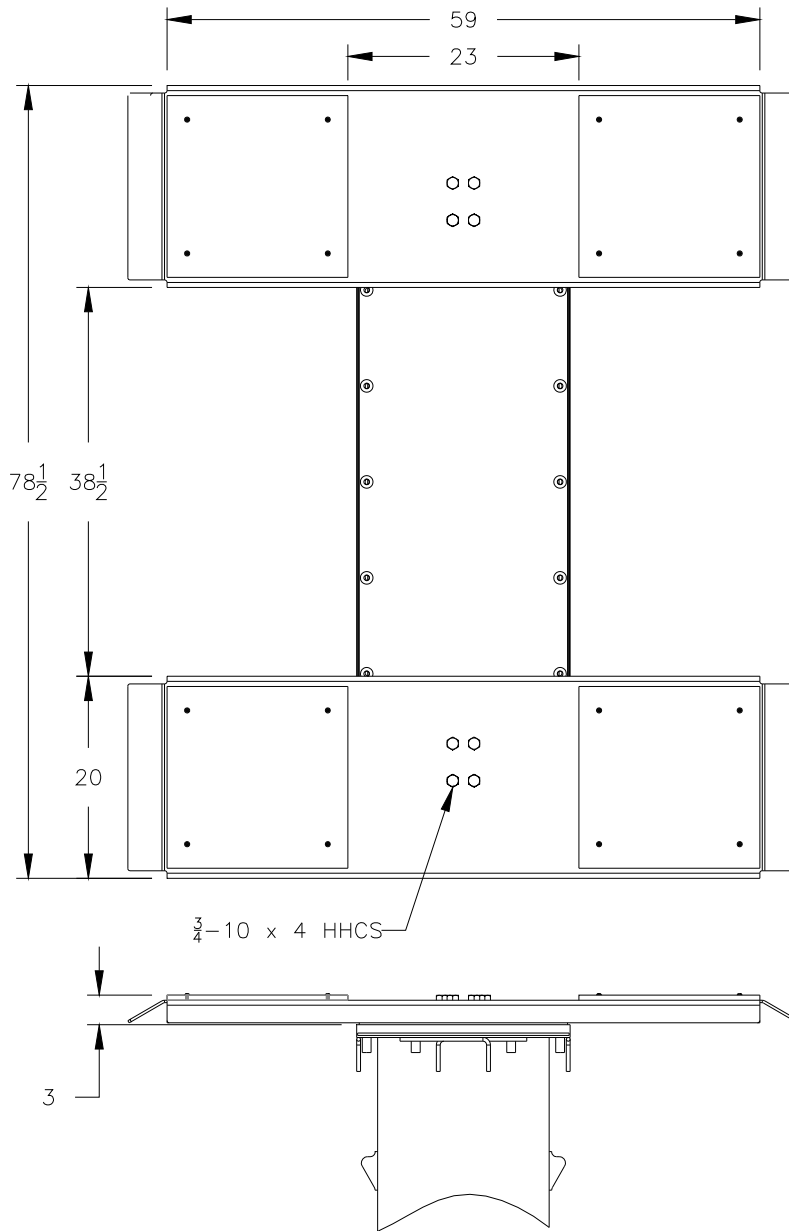


Figure 1

10,000 lbs Fixed Pad Adapter Installation & Operation Supplement

BEFORE YOU BEGIN

Safety Notices and Decals

For your safety, and the safety of others, read and understand all of the safety notices and decals included here.

Read entire manual before assembling, installing, operating, or servicing this equipment.

Proper maintenance and inspection is necessary for safe operation.

DO NOT operate a damaged lift.

Safety decals similar to those shown here are found on a properly installed lift. Be sure that all safety decals have been correctly installed on the lift. Verify that all authorized operators know the location of these decals and fully understand their meaning. Replace worn, faded, or damaged decals promptly.

SAFETY WARNING LABELS FOR HINGED FRAME ENGAGING LIFTS

Lift Owner/User Responsibilities:

- A. This Safety Warning placard **SHALL** be displayed in a conspicuous location in the lift area.
- B. Use one of the mounting arrangements illustrated on back of this placard.
- C. These Safety Warning labels supplement other documents supplied with the lift.
- D. Be certain all lift operators read and understand these labels, operating instructions and other safety related information supplied with the lift.

<p>CAUTION</p> <p>Lift to be used by trained operator only.</p>	<p>Power Unit: Secure placard near lift controls.</p> <p>Lift Control Console: Secure placard in an accessible location.</p>	<p>The messages and pictographs shown are generic in nature and are meant to generally represent hazards common to all automotive lifts regardless of specific style.</p> <p>Funding for the development and validation of these labels was provided by the Automotive Lift Institute, PO Box 33116 Indialantic, FL 32903.</p> <p>They are protected by copyright. Set of labels may be obtained from ALI or its member companies.</p> <p>© 1992 by ALI, Inc. ALI/WL300csm</p>
<p>CAUTION</p> <p>Authorized personnel only in lift area.</p>	<p>CAUTION</p> <p>Use vehicle manufacturer's lift points.</p>	<p>CAUTION</p> <p>Always use safety stands when removing or installing heavy components.</p>
<p>SAFETY INSTRUCTIONS</p> <p>Read operating and safety manuals before using lift.</p>	<p>SAFETY INSTRUCTIONS</p> <p>Proper maintenance and inspection is necessary for safe operation.</p>	<p>SAFETY INSTRUCTIONS</p> <p>Do not operate a damaged lift.</p>

<p>WARNING</p> <p>Position vehicle with center of gravity midway between adapters.</p>	<p>WARNING</p> <p>Remain clear of lift when raising or lowering vehicle.</p>	<p>WARNING</p> <p>Keep feet clear of lift while lowering.</p>
<p>WARNING</p> <p>Clear area if vehicle is in danger of falling.</p>	<p>WARNING</p> <p>Avoid excessive rocking of vehicle while on lift.</p>	<p>WARNING</p> <p>Keep clear of pinch points when lift is moving.</p>



Do not attempt to raise a vehicle on the lift until the lift has been correctly installed and adjusted as described in this manual.

10,000 lbs Fixed Pad Adapter
Installation & Operation Supplement

INSTALLATION

Minimum Tools Required

Torque Wrench; 150 ft-lbs minimum with 1 1/8" Socket

Assembling the Pad

- 1) Note orientation of pads in Figure 1.
- 2) Attach the Fixed Pad Adapter to the plunger using the supplied 3/4"-10 x 4" bolts and 3/4" external tooth lock washers. Torque to 120 ft-lbs.

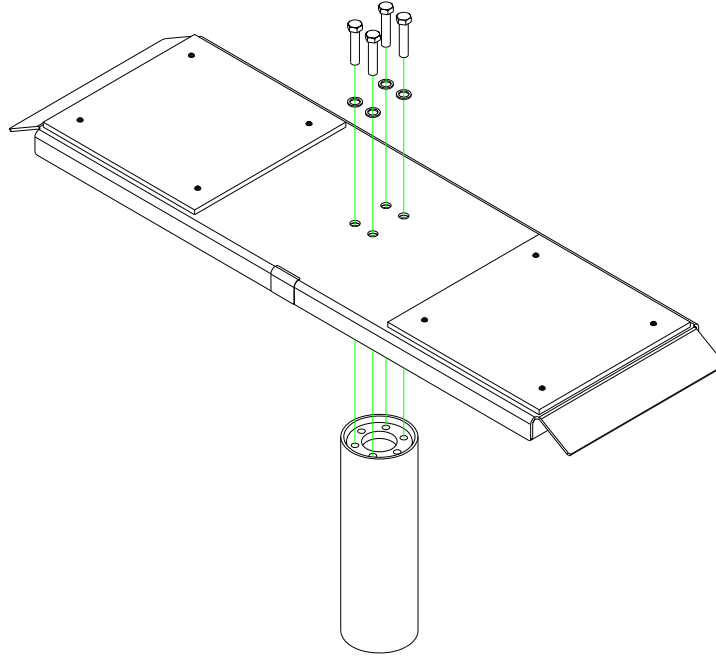
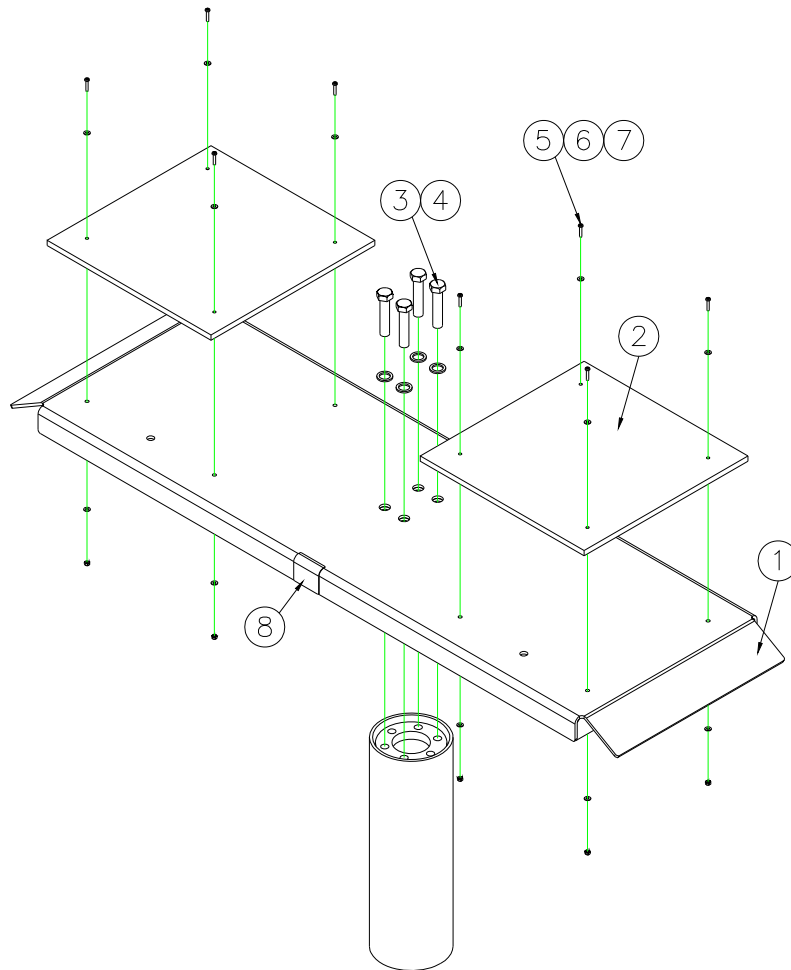


Figure 2

10,000 lbs Fixed Pad Adapter
Installation & Operation Supplement

PARTS BREAKDOWN



Item #	Part #	Qty./Lift	Description
1	17305	2	Fixed Pad Adapter Weld
2	17301	2	Rubber Pad Set (2 pcs)
3	17304	8	3/4"-10NC x 4 HHCS, Gr. 5, Zinc Plated
4	16162	8	3/4" External Tooth Lock Washer
5	028-161	16	#10-24 x 1 Pan Head Screw
6	108-024	32	#10 Flat Washer
7	055-127	16	#10-24 Nylon Locknut
8	17303	2	10,000 LB Capacity Decal