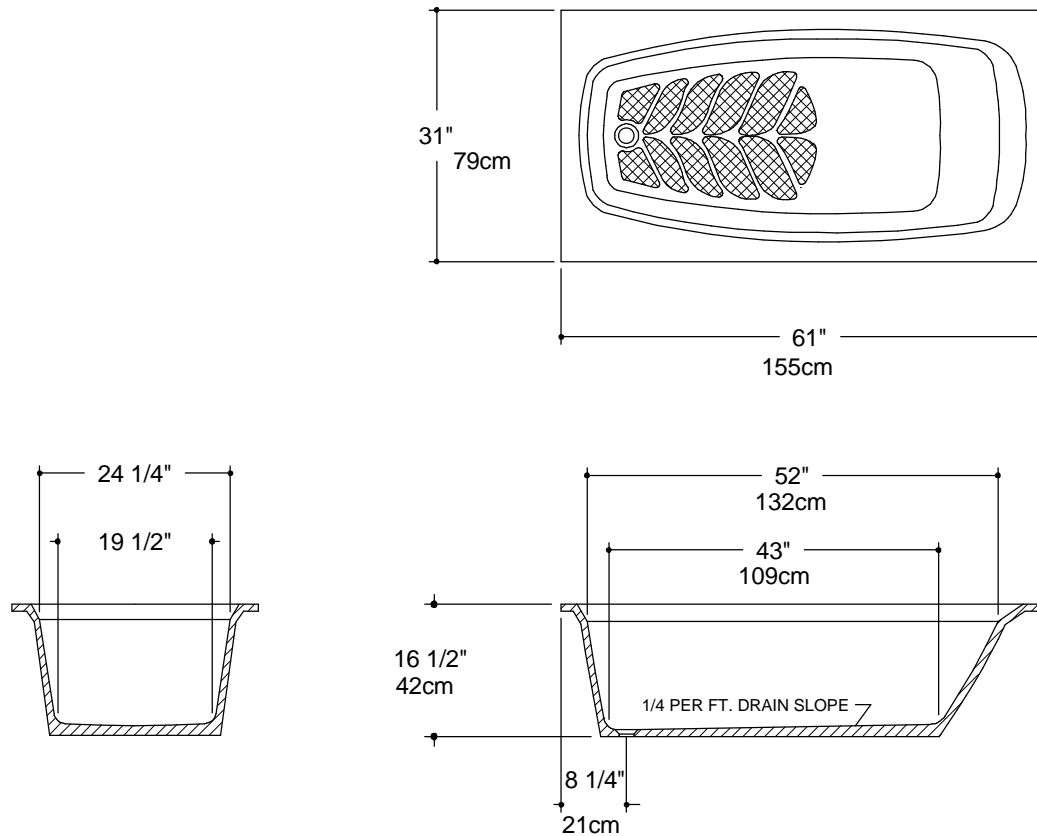


MK23

GRUBER SYSTEMS RESERVES THE RIGHT TO CHANGE THIS INFORMATION AT ANY TIME WITHOUT PRIOR NOTICE. ISSUED BY GRUBER SYSTEMS INC., 25636 AVENUE STANFORD, VALENCIA, CA 91355, USA. COPYRIGHT 2002



MOLD PART	CATALOG No.	DESCRIPTION
MALE	29023	MK 23 MALE
FEMALE	490238	F- MK23 ONE PIECE
2PC FEM DECK	490231	F- MK 23 DECK
2PC FEM BOT	490232	F- MK 23 BOTTOM
TURTLE	490233	F- MARK 23 TURTLE
ULFF	490239	ULFF MARK 23 1/2"
ULFF INSERT	4902391	ULFF MARK 23 INSERT 1/2"
SPEEDY PLUG	29123	MARK 23 SPEEDDY PLUG
NAME	MK 23 BATHTUB 61" X 31" X 16 1/2" (155cm X 79cm X 42cm)	
CAST WEIGHT	SCALE 1/2" = 1'0"	DATE 8-30-02 PAGE No. T-14