

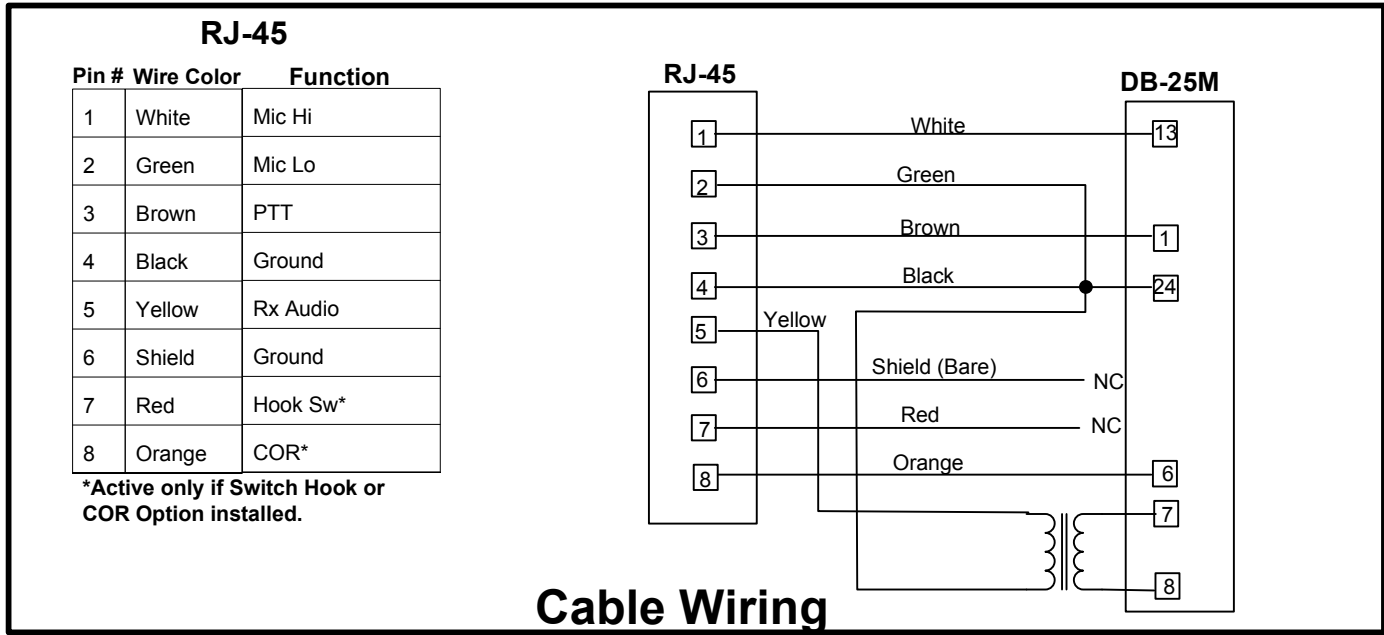
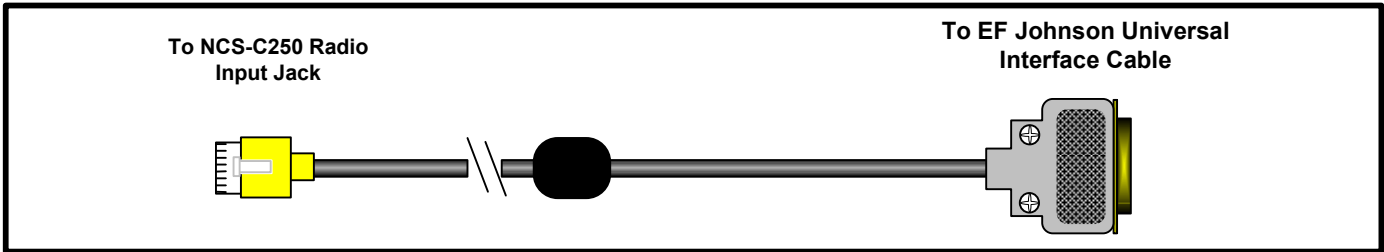
Radio Interface Cable

For NCS-C250 Mobile Multi-Switcher

NCS Model Number
NCS-250-EBA-XX

Compatible Radios:

- | | | | |
|-------------------|-------------------|------------------|------------------|
| EFJ 5300ES | EFJ 53SLES | EFJ VM600 | EFJ VM900 |
|-------------------|-------------------|------------------|------------------|



Notes for 5300 ES and 53SL ES

1. Radio must have EF Johnson optional Pigtail Assembly "Standard Accessory/Remote/UDDI-PVP (P/N 597-5357-736-01)" installed to interface with the NCS Radio Interface Cable
2. Instructions for muting the radio's internal speaker:
 - a. Press the F2 and F5 buttons simultaneously. Note: the F2 button is the first one above the left end of the display. The F5 button is the 3rd one to the right of the F2 button.
 - b. The display will indicate SPKR ENABL.
 - c. Rotate the SELECT knob one click.
 - d. The display will briefly show SPKR DISABL and then change to CYCLE PWR.
 - e. Momentarily press the PUSH ON/OFF switch to turn the radio off.
 - f. Turn the radio back on and the internal speaker will be disabled.

Notes for VM600/VM900

1. Radio must have EF Johnson optional Pigtail Assembly "Standard Accessory/Remote/UDDI-PVP (P/N R597-5357-738)" installed to interface with the NCS Radio Interface Cable