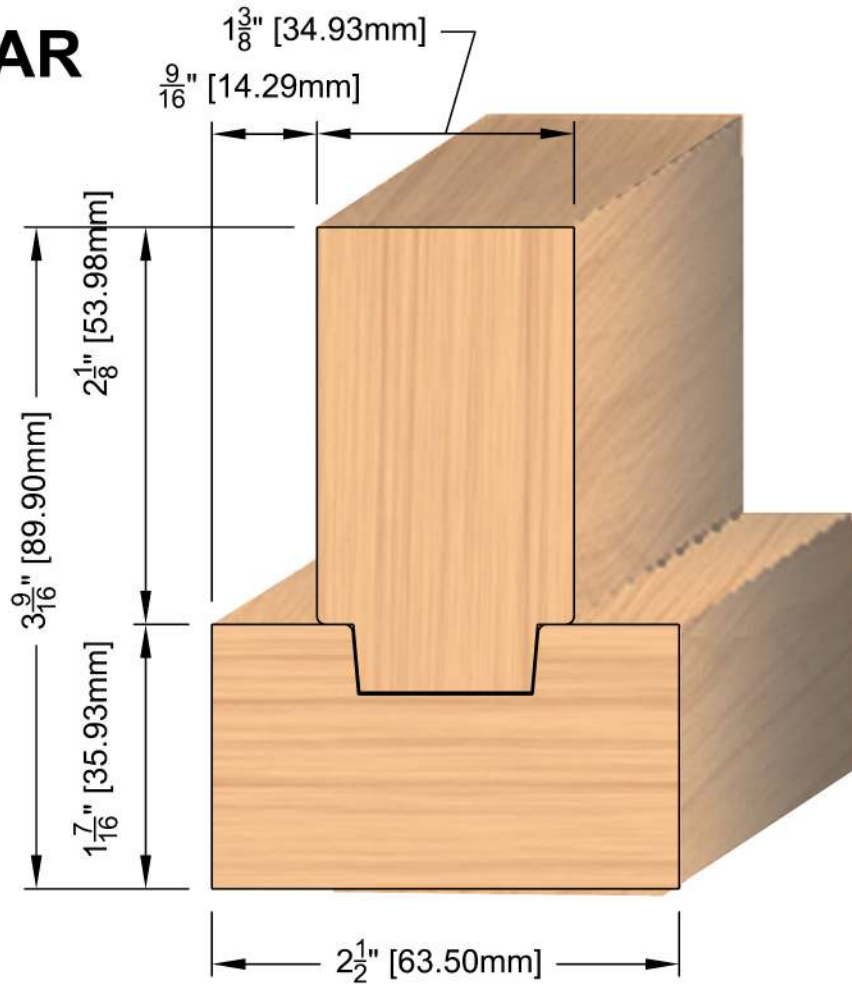
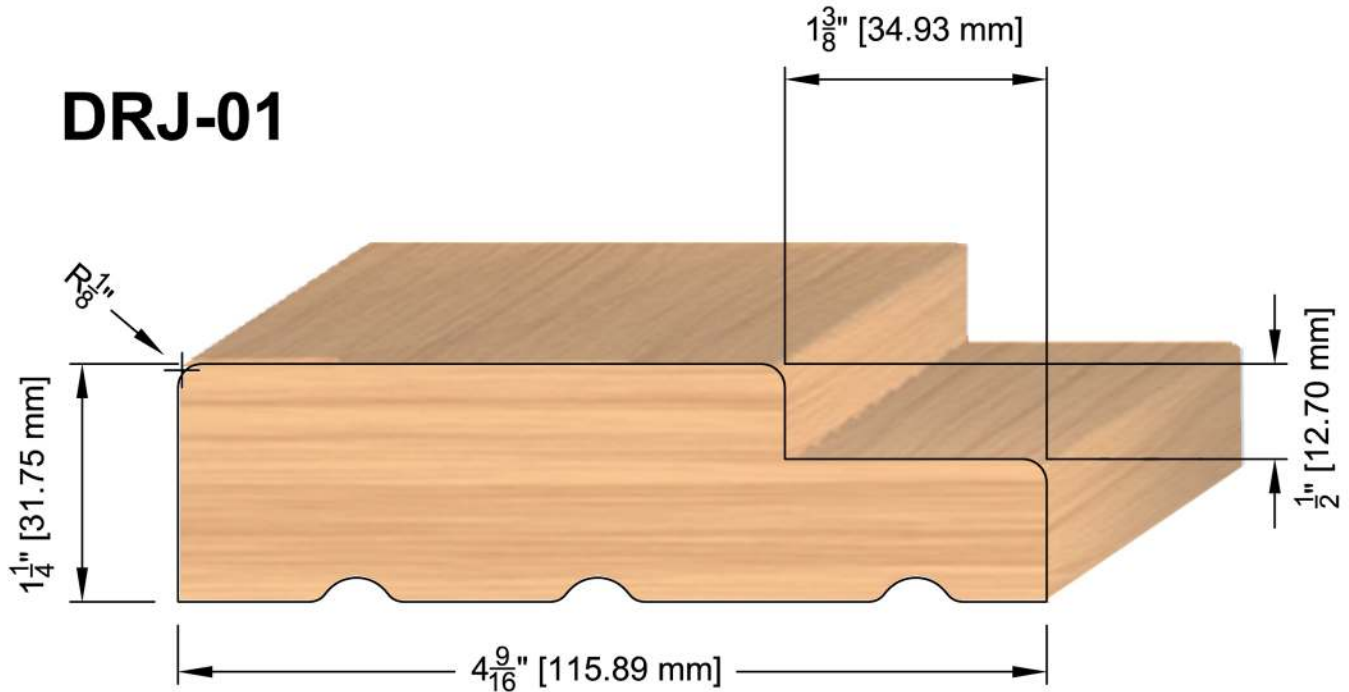


T-BAR

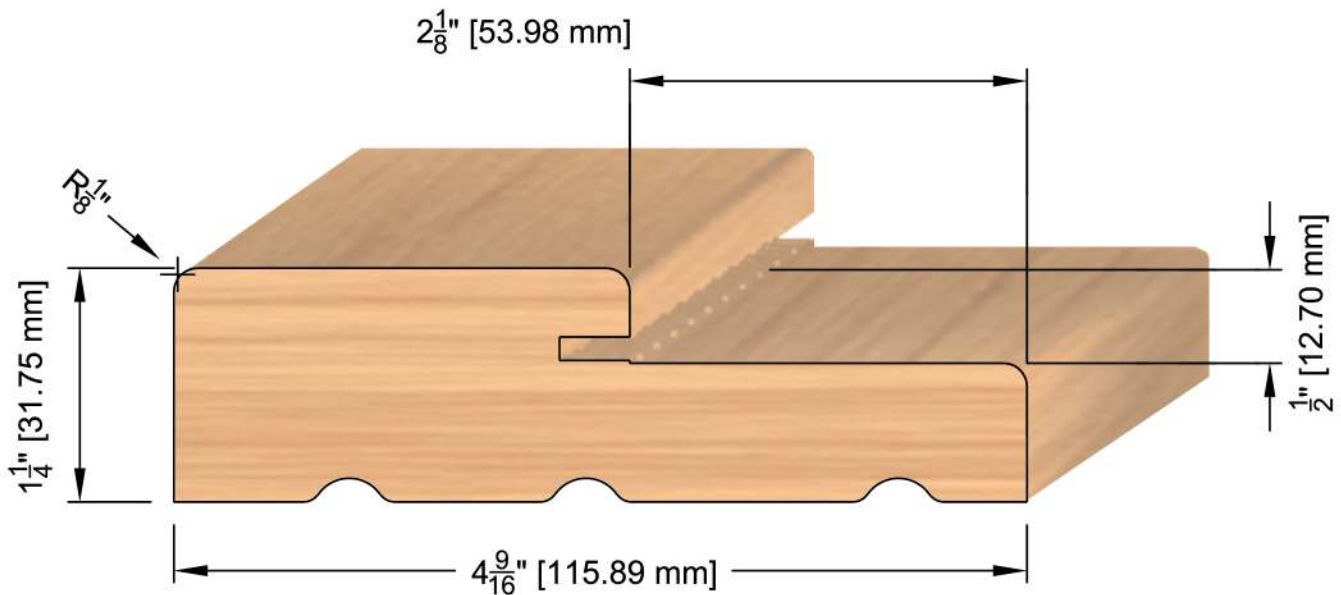




Interior Rabbet Jamb

- DRJ-01_ $1\text{-}1/4$ " x $4\text{-}9/16$ " x $1\text{-}3/8$ " Rab.
- DRJ-02_ $1\text{-}1/4$ " x $4\text{-}9/16$ " x $1\text{-}3/4$ " Rab.
- DRJ-03_ $1\text{-}1/4$ " x $5\text{-}1/4$ " x $1\text{-}3/8$ " Rab.
- DRJ-04_ $1\text{-}1/4$ " x $5\text{-}1/4$ " x $1\text{-}3/4$ " Rab.
- DRJ-05_ $1\text{-}1/4$ " x $6\text{-}9/16$ " x $1\text{-}3/8$ " Rab.
- DRJ-06_ $1\text{-}1/4$ " x $6\text{-}9/16$ " x $1\text{-}3/4$ " Rab.
- DRJ-07_ $1\text{-}1/4$ " x $7\text{-}1/4$ " x $1\text{-}3/8$ " Rab.
- DRJ-08_ $1\text{-}1/4$ " x $7\text{-}1/4$ " x $1\text{-}3/4$ " Rab.

DRJ-09



Exterior Kerf Jamb

- DRJ-09_ $1\frac{1}{4}$ " x $4\frac{9}{16}$ " x $2\frac{1}{8}$ " Kerf
- DRJ-10_ $1\frac{1}{4}$ " x $5\frac{1}{4}$ " x $2\frac{1}{8}$ " Kerf
- DRJ-11_ $1\frac{1}{4}$ " x $6\frac{9}{16}$ " x $2\frac{1}{8}$ " Kerf
- DRJ-12_ $1\frac{1}{4}$ " x $7\frac{1}{4}$ " x $2\frac{1}{8}$ " Kerf