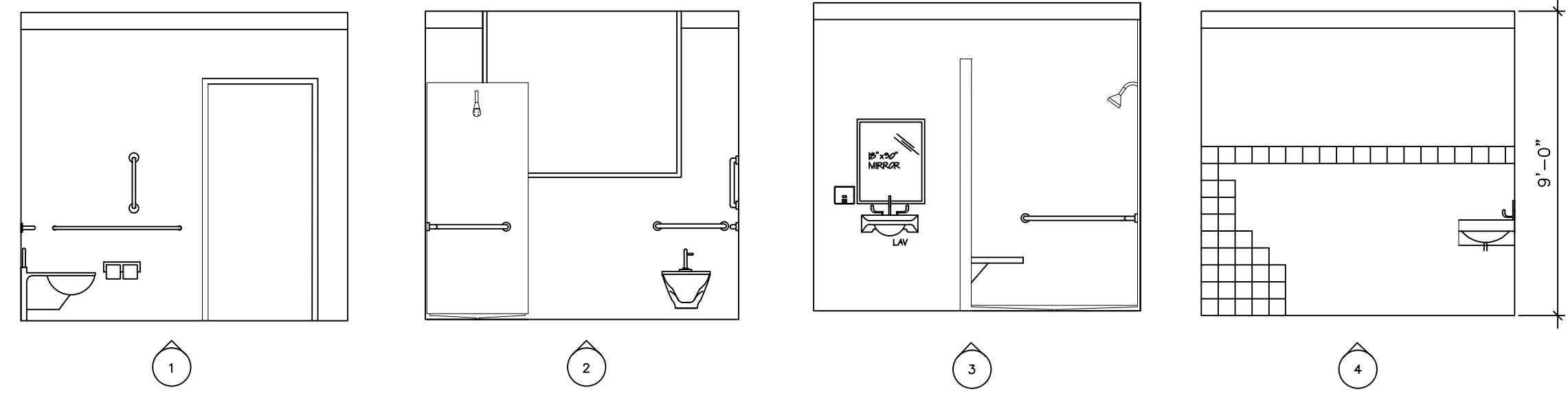
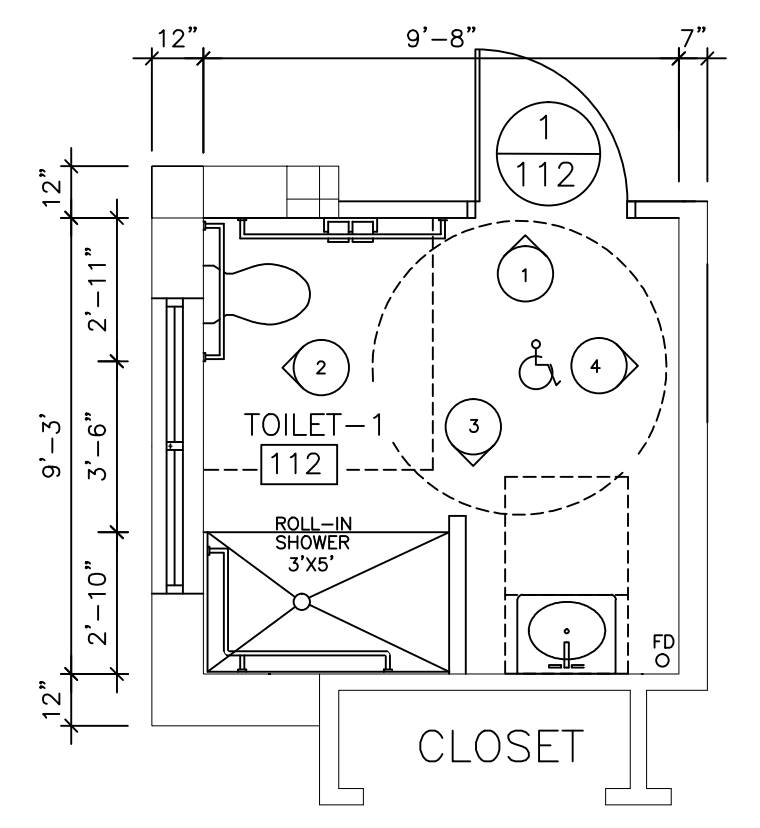


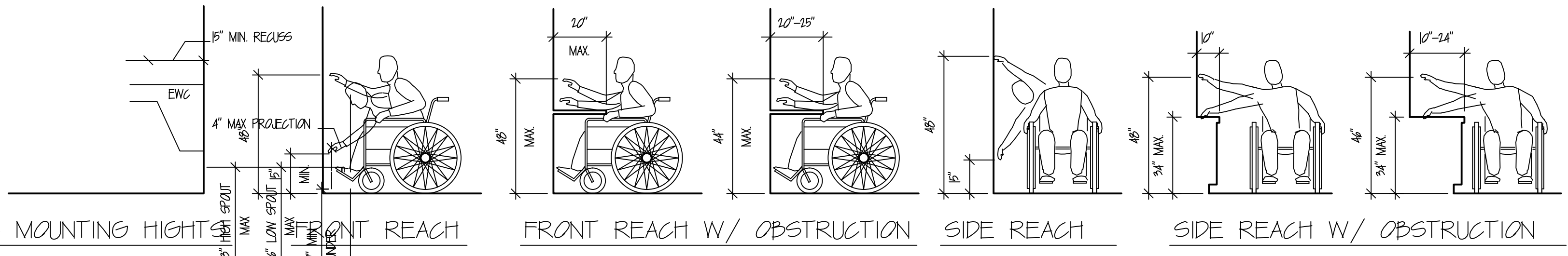
ACCESSIBLE ROUTE PLAN
 SCALE : NTS SEE SITE PLAN FOR ADDED DETAILS
 TOTAL TRAVEL DISTANCE HC PARKING TO THE ELEVATOR LOBBY = 91'-0"



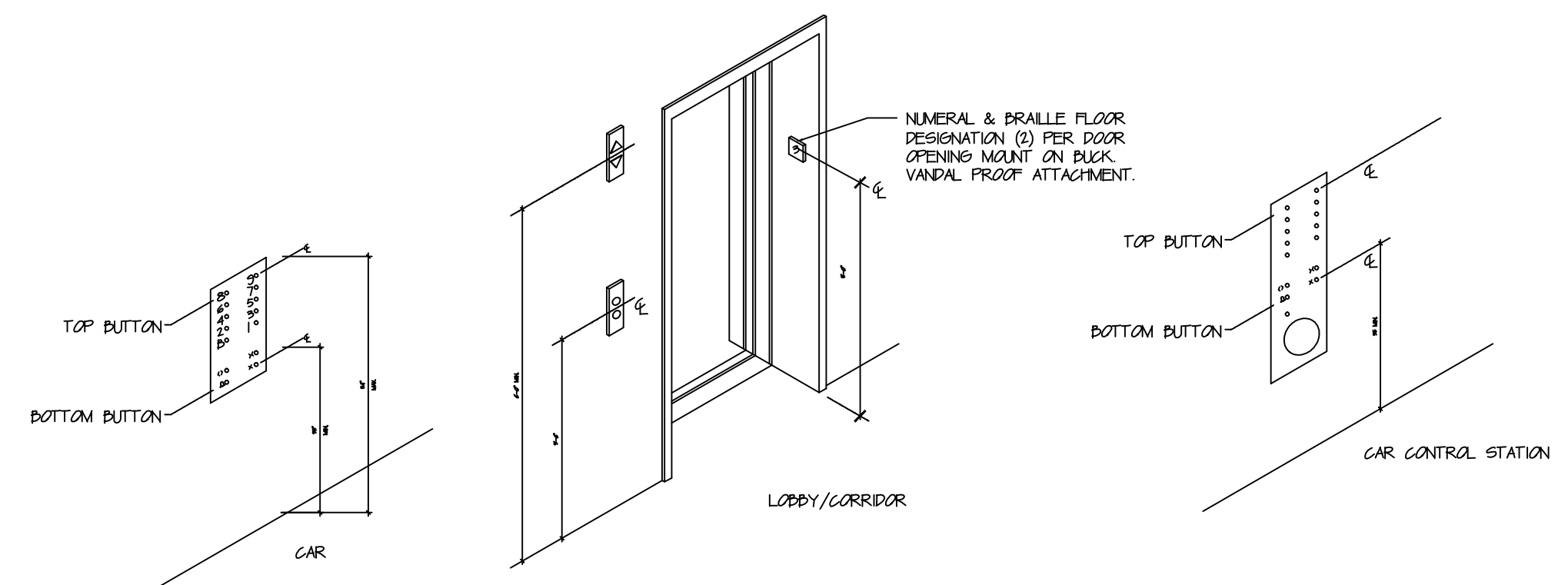
ELEVATION
 SCALE : 1/4" = 1'-0" A-14



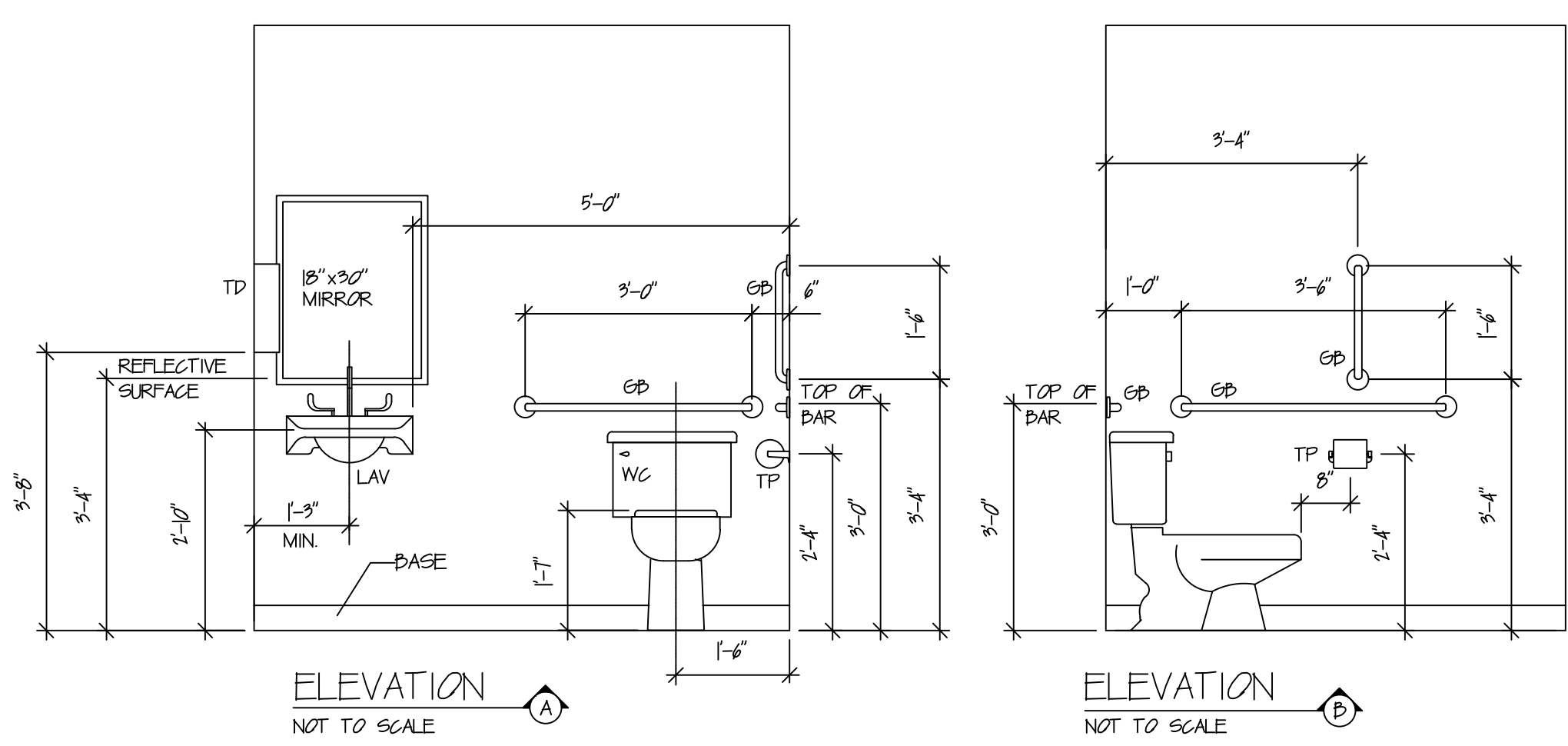
HC TOILET MEN / WOMEN
 SCALE : 1/2" = 1'-0" - WOMEN SIMILAR
 NOTE :
 HC RESTROOMS MUST MEET CODE REQUIREMENT OF 2012 TEXAS ACCESSIBILITY STANDARDS.



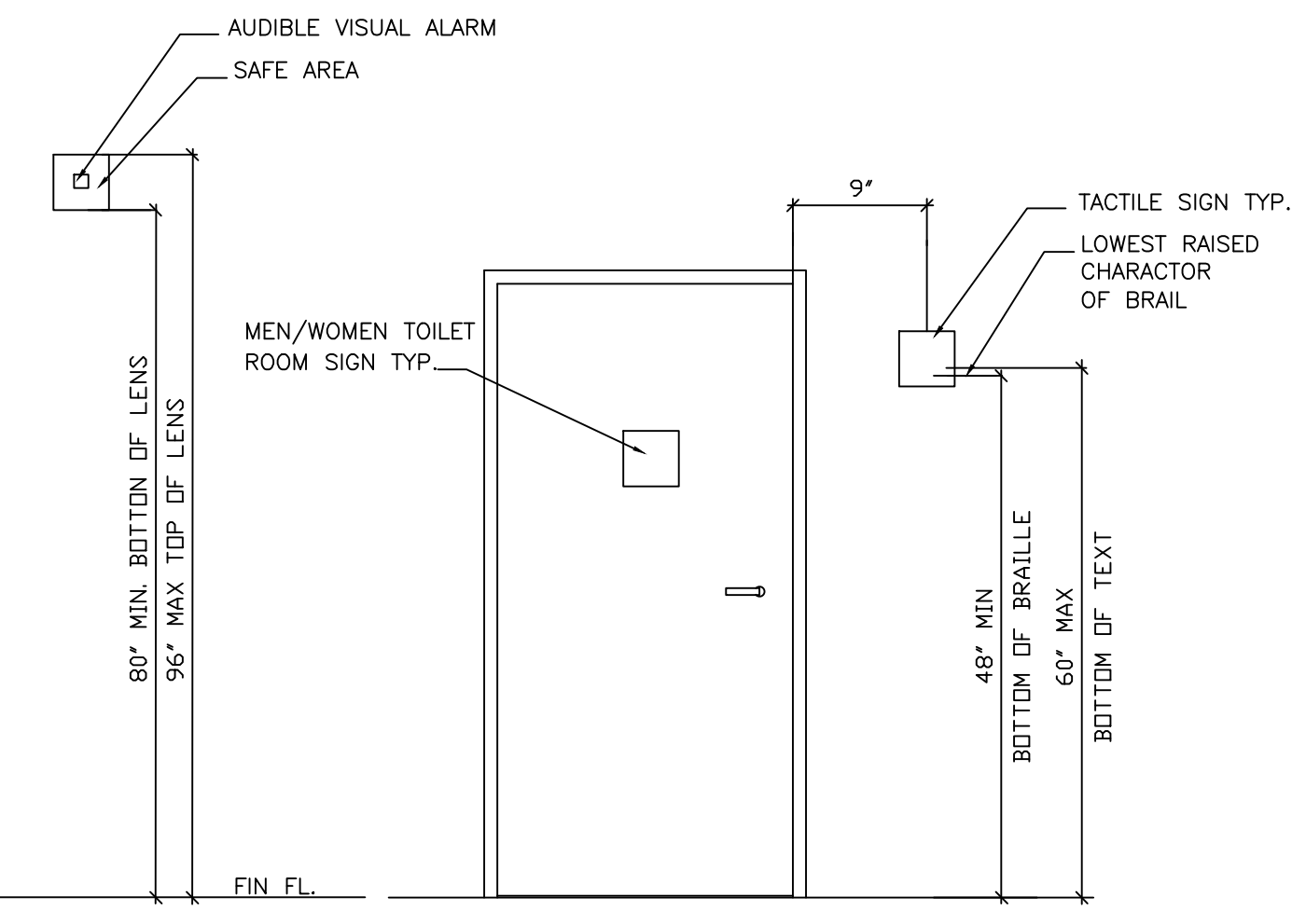
TYPICAL ACCESSIBLE REACH HTS.
 NOT TO SCALE
 ALL CONTROLS & DEVICES (THERMOSTATS, SWITCHES, OUTLETS, TELEPHONES, FIRE EXTINGUISHERS, TIME CLOCK, ALARM PAD, COAT HOOKS, SHELVES, ETC.) TO BE LOCATED IN ONE OF THE ABOVE REACH RANGES UNLESS NOTED OTHERWISE.



ELEVATOR AND CAR BUTTON MOUNTING HEIGHTS
 SCALE : NTS

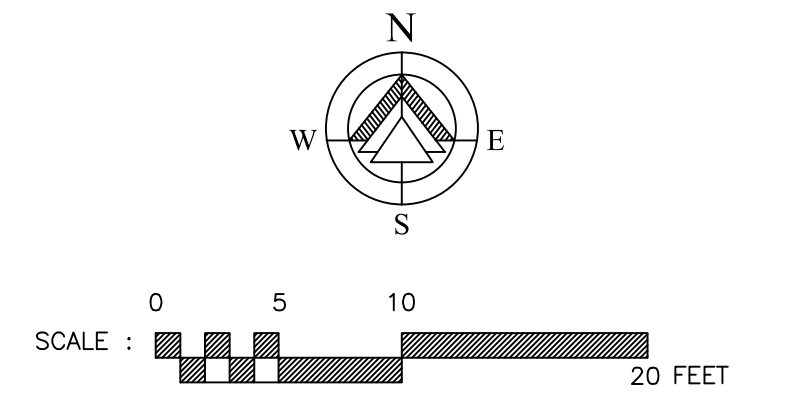


TYPICAL TOILET ROOM DETAIL
 NOT TO SCALE = (NTS)
 TYPICAL TOILET ROOM FIXTURE & ACCESSORY MOUNTING LOCATIONS
 TYPICAL TOILET WC FIXTURE WITH TANK OR AUTOMATIC FLUSH OPTION



DETAIL-A
 SCALE : NTS
 NOTE :
 PROVIDE MOUNTING DETAIL FOR AUDIBLE VISUAL ALARM

DETAIL-B
 SCALE : NTS
 ELEVATION - LATCH SIDE OF DOOR
 NOTE :
 PROVIDE TACTILE SIGN FOR MEN AND WOMEN RESTROOMS



REGISTERED ARCHITECT
 SHASHI D. PATEL
 ARCHITECTS AND PLANNERS
 442 EAST END AVE. STE-B. PITTSBURGH PA 15221
 23747
 12/05/15

| | |
|--|--------------------------------|
| rev | |
| rev | |
| date | 10-05-2015 released for const. |
| scale | AS NOTED |
| drawn by | CADD-SPA |
| SHASHI D. PATEL AIA NCARB ARCHITECTS AND PLANNERS 442 EAST END AVE. STE-B. PITTSBURGH PA 15221 | |
| ADA TOILETS PLANS ELEVATIONS AND DETAILS | |
| CONSTRUCTION DOCUMENT PHASE | |
| RADHA KRISHNA TEMPLE | |
| ALLEN TEXAS | |
| dwg. no. | 07162013 |
| | A-14 |