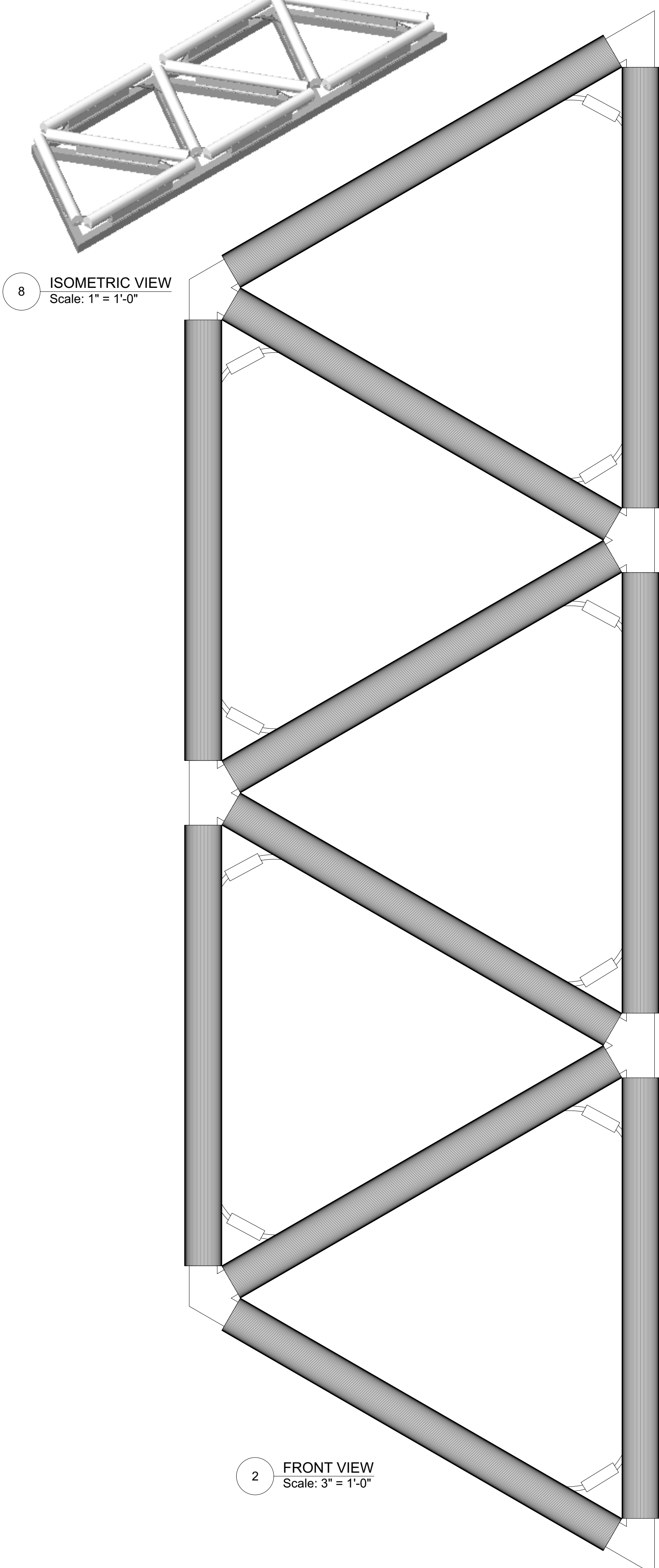
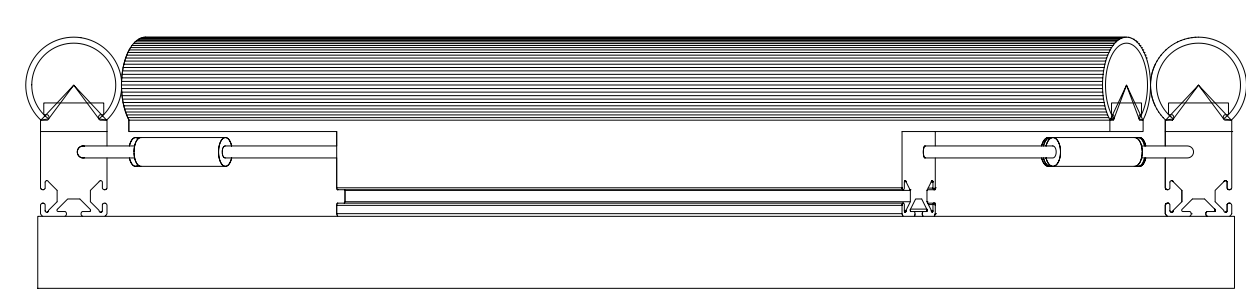


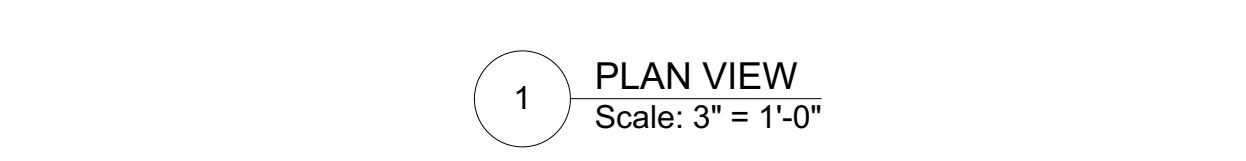
8 ISOMETRIC VIEW  
Scale: 1" = 1'-0"



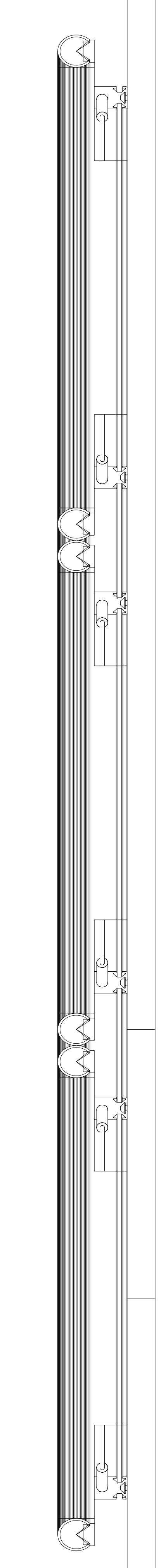
2 FRONT VIEW  
Scale: 3" = 1'-0"



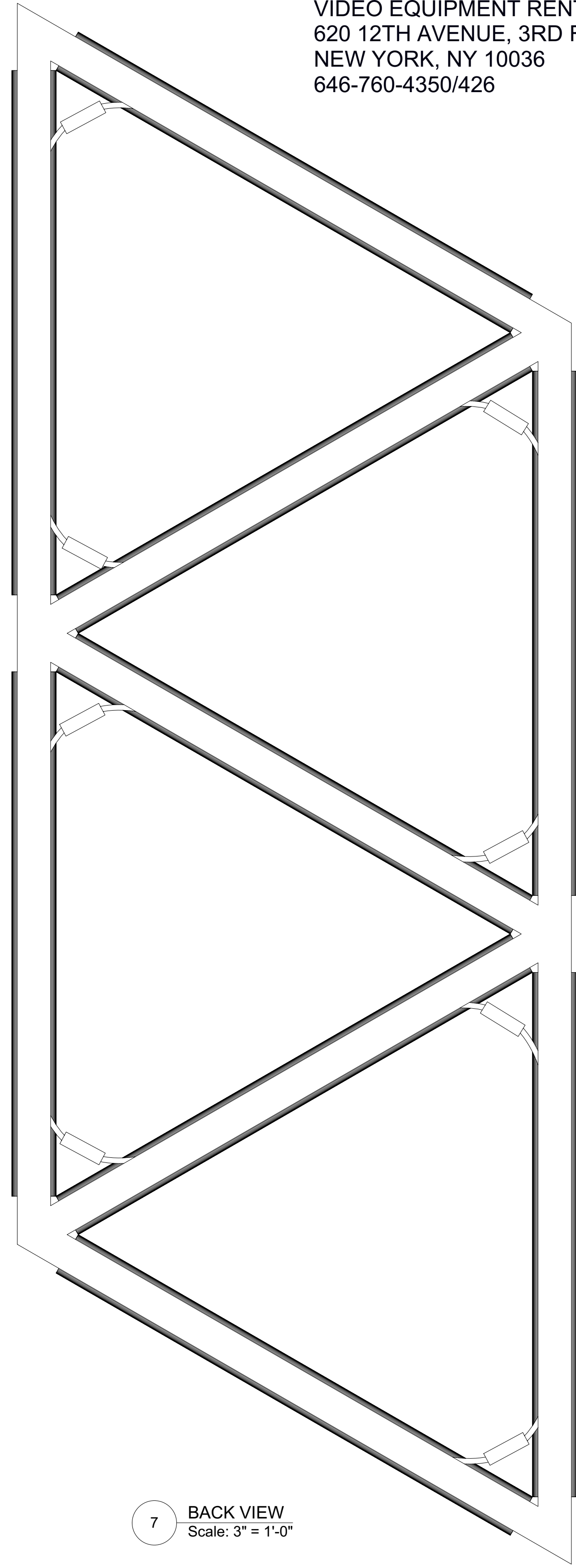
1 PLAN VIEW  
Scale: 3" = 1'-0"



3 SIDE VIEW  
Scale: 3" = 1'-0"



7 BACK VIEW  
Scale: 3" = 1'-0"



**NOTE:**  
TYPICAL GRID LAYOUT WITH CABLING PATTERN  
LED BLADE GRID IS SUPPORTED FROM BEHIND AND IS RIGGED TO FLY  
DISCUSS STRUCTURE AND MATERIALS WITH STAGING SUPERVISOR  
INSIDE TRIANGLE IS OPEN ON EACH GRID.

**REVOLUTION DISPLAY BLADE 1260 CREATIVE LED STRIP**  
DIMENSIONS: 23.6"L X 1.2"W X 2.1"H (TOTAL HEIGHT W/ DIFFUSER 3-1/2")  
VIDEO EQUIPMENT RENTALS  
620 12TH AVENUE, 3RD FLOOR  
NEW YORK, NY 10036  
646-760-4350/426

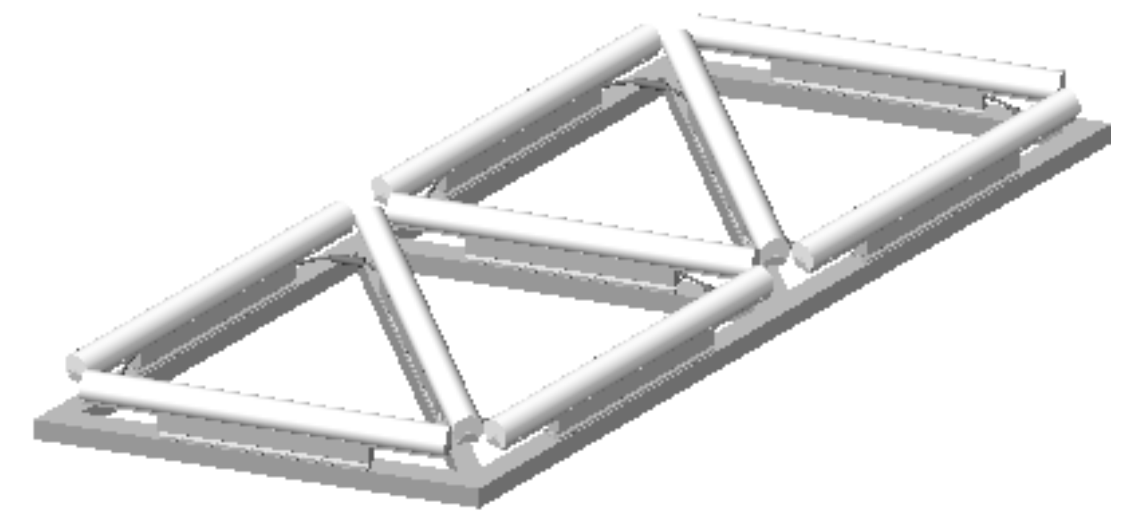
5 FRONT VIEW  
Scale: 3" = 1'-0"



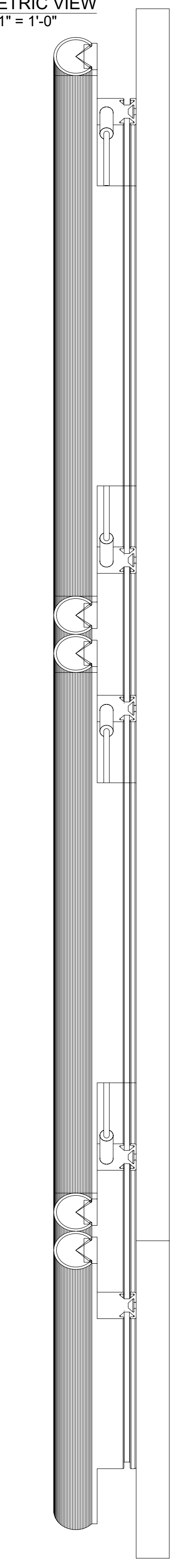
4 PLAN VIEW  
Scale: 3" = 1'-0"



8 ISOMETRIC VIEW  
Scale: 1" = 1'-0"



6 FRONT VIEW  
Scale: 3" = 1'-0"



THESE DRAWINGS REPRESENT VISUAL CONCEPTS AND CONSTRUCTION SUGGESTIONS AS THEY VISUALLY EFFECT THE FINAL PRODUCT. THE DESIGNER DOES NOT ASSUME LIABILITY FOR ENGINEERING, CONSTRUCTION OR USE. ALL MATERIALS AND COSTS ARE TO BE APPROVED BY THE DESIGNER, LINE PRODUCER, AND STAGING SUPERVISOR. ANY FURTHER DETAILED CONSTRUCTION DRAWINGS OUTLINING SPECIFIC MATERIALS AND CONSTRUCTION TECHNIQUES ARE PROVIDED BY THE FABRICATOR. NO SUBSTITUTIONS ON MATERIALS AND EQUIPMENT OR DEVIATION FROM THE LOOK WITHOUT EXPRESSED PERMISSION OF THE DESIGNER.

**FOR BID  
PURPOSES  
ONLY**

NOTES:

NOTES

DATE:

02/12/2016

DESIGNER:

Kate Roberts

DRAWN:

RSweetnam

EVENT TITLE:

CC UpFront

SHEET TITLE:

LED BLADE DETAIL

SCALE:

1' = 1'-0"

SHEET NUMBER:

6.5