

1  
R33  
Hole Layout- Scale: 1" = 1'-0"  
Drill holes as indicated.  
MUST be Accurate.  
All holes are 1/2" Diameter.

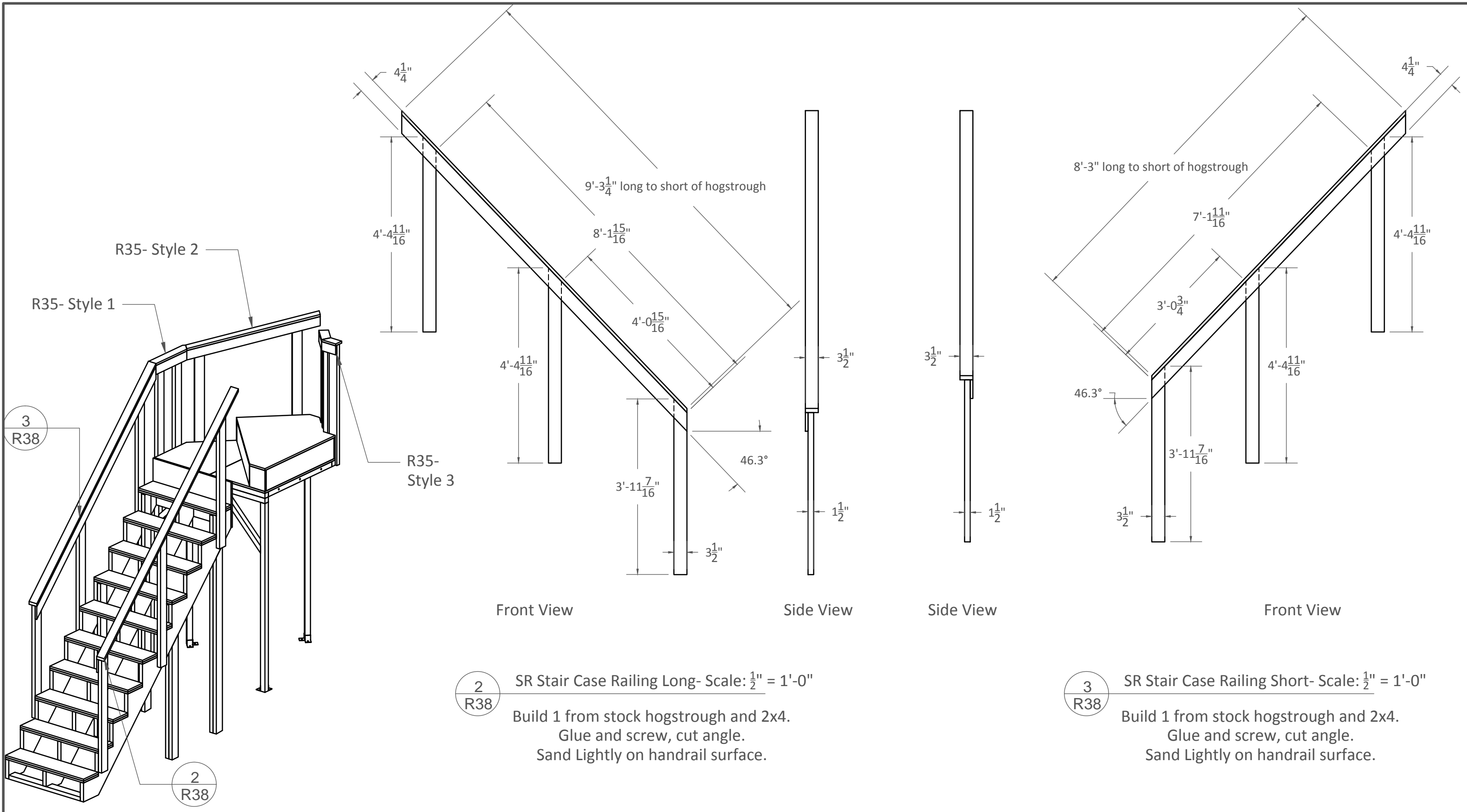
2  
R33  
Angled Framing member holes: 1" = 1'-0"  
Drill holes as indicated.  
MUST be Accurate.  
All holes are 1/2" Diameter.



# Romeo and Juliet

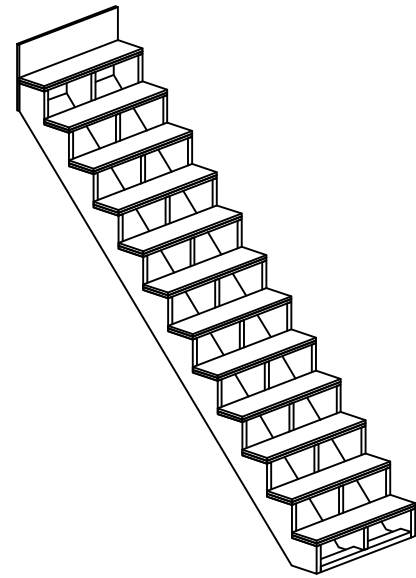
Plate Name: SR Landing Holes		
Director: J.Ammerman	Designer: L.Taylor	
Tech Director: Aaron Mayer	Drafted By: A.Mayer	
DWG Date: 10/6/2016	REV Date: ---	Scale: As Noted

DWG #:  
**R33**

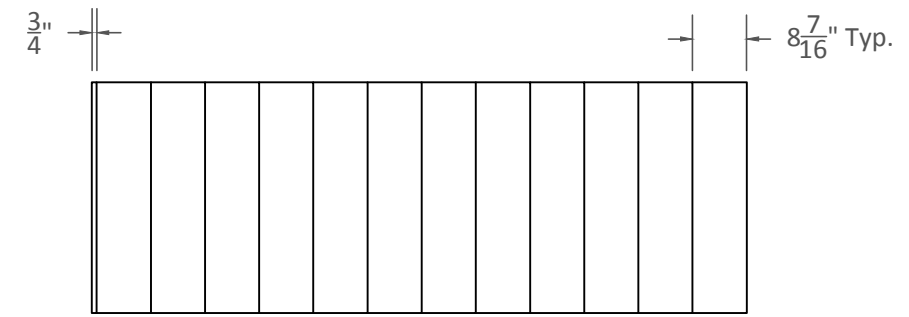


# Romeo and Juliet

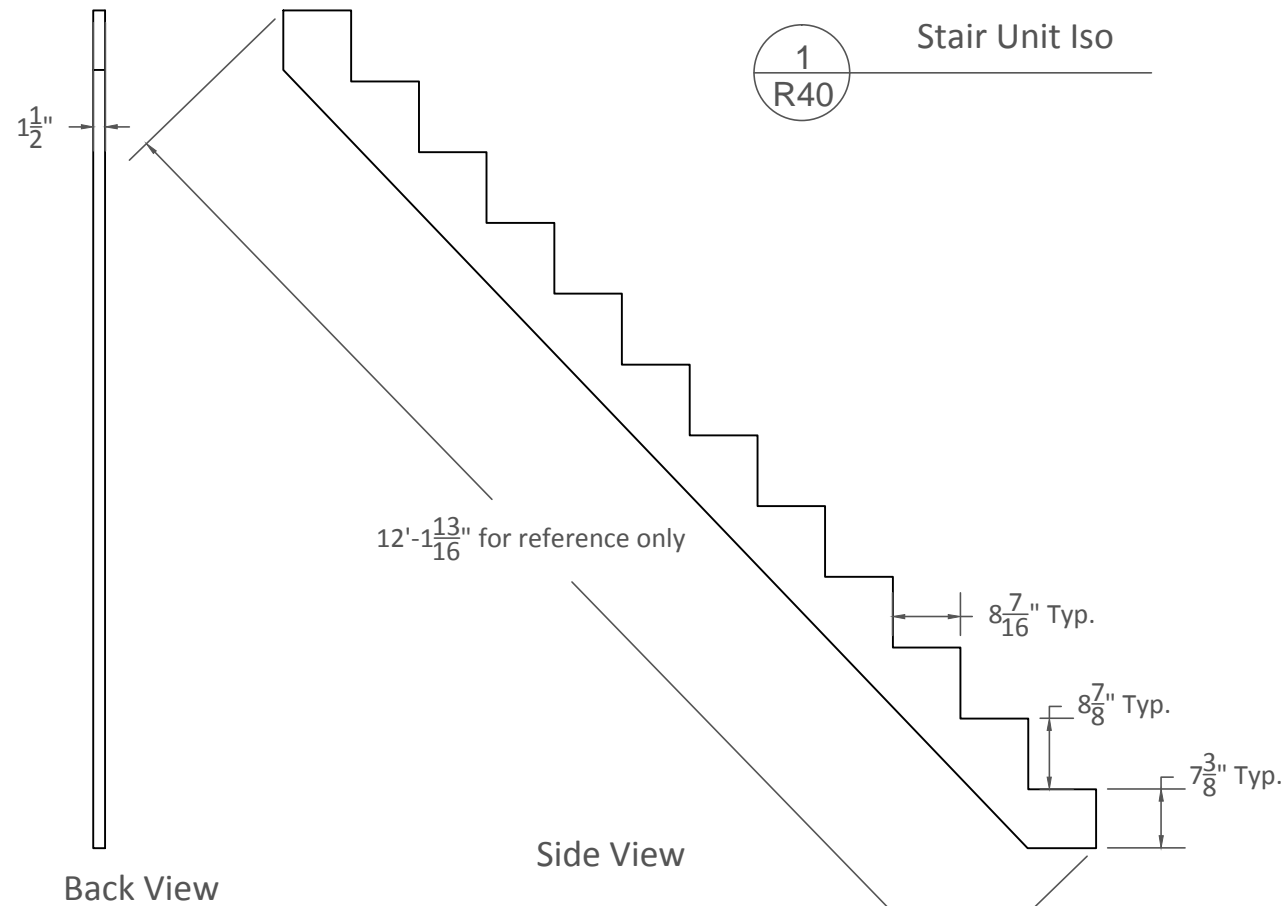
Plate Name: SR Stairs Railings		DWG #:
Director: J.Ammerman	Designer: L.Taylor	<b>R38</b>
Tech Director: Aaron Mayer	Drafted By: A.Mayer	
DWG Date: 10/12/2016	REV Date: ---	Scale: As Noted



1 Stair Unit Iso  
R40



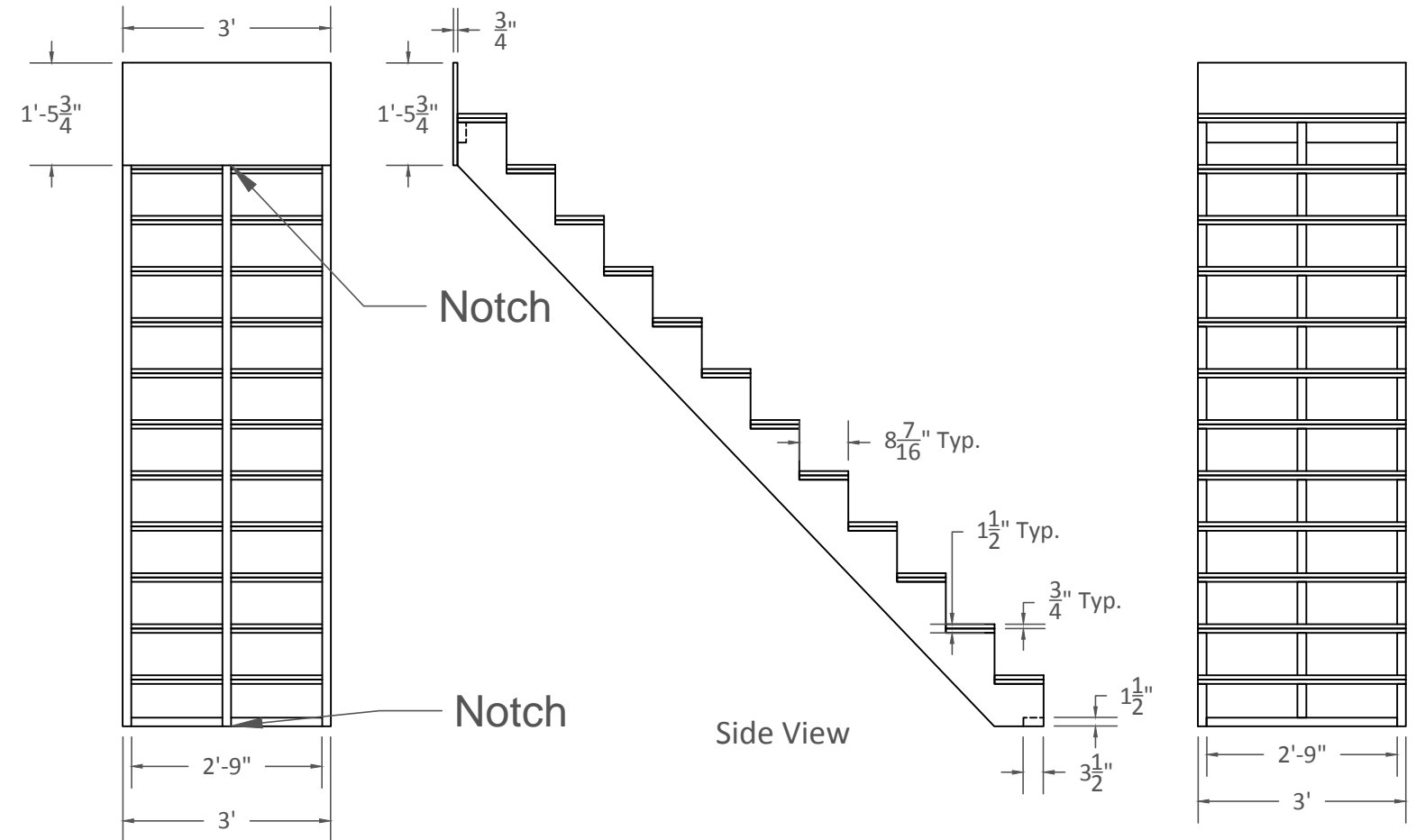
Top View



Side View

Back View

2 Stringer- Scale: 1/2" = 1'-0"  
R40 Build 3 from 2x12x16.



BACK View

Side View

Front View

3 Assembly- Scale: 1/2" = 1'-0"  
R40 Build 1 from Stringer, 3/4" Plywood, and 2x4.  
Glue and Screw.



# Romeo and Juliet

Plate Name: Center Stairs

Director: J. Ammerman

Designer: L. Taylor

Tech Director: Aaron Mayer

Drafted By: A. Mayer

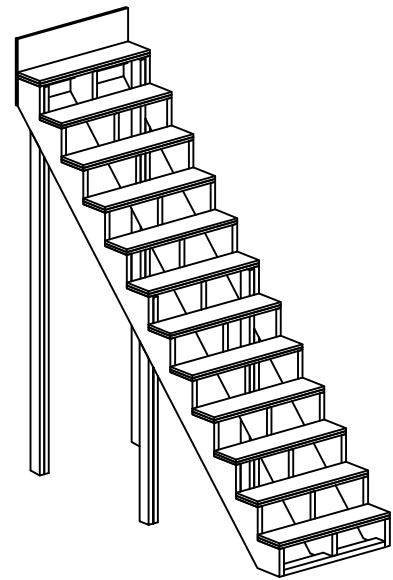
DWG Date: 10/5/2016

REV Date: ---

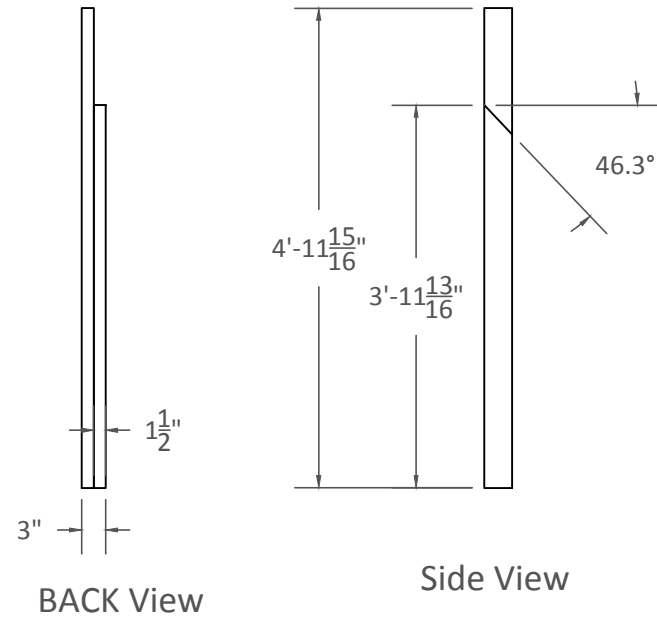
Scale: As Noted

DWG #:

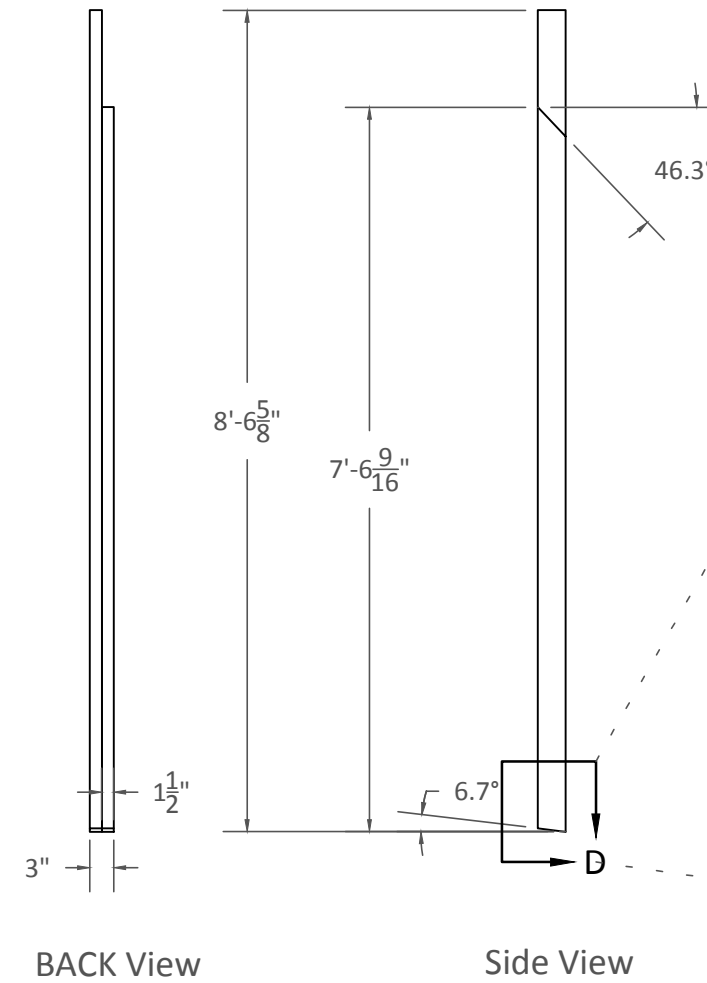
# R40



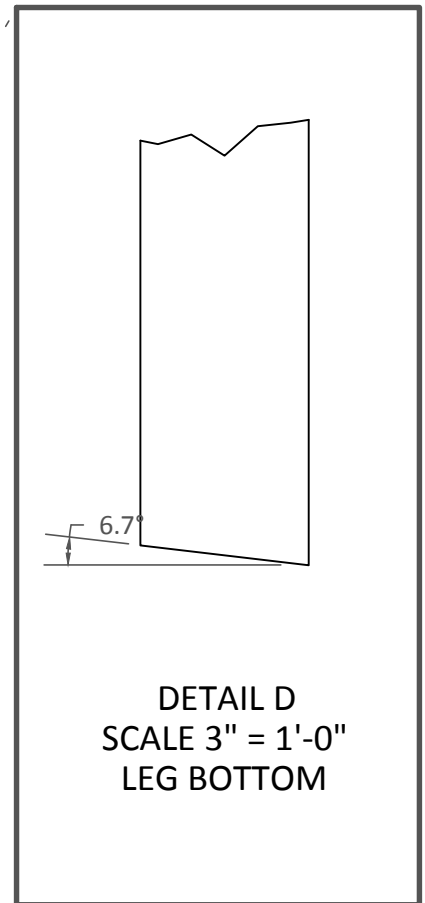
1  
R41  
Stair Unit Iso



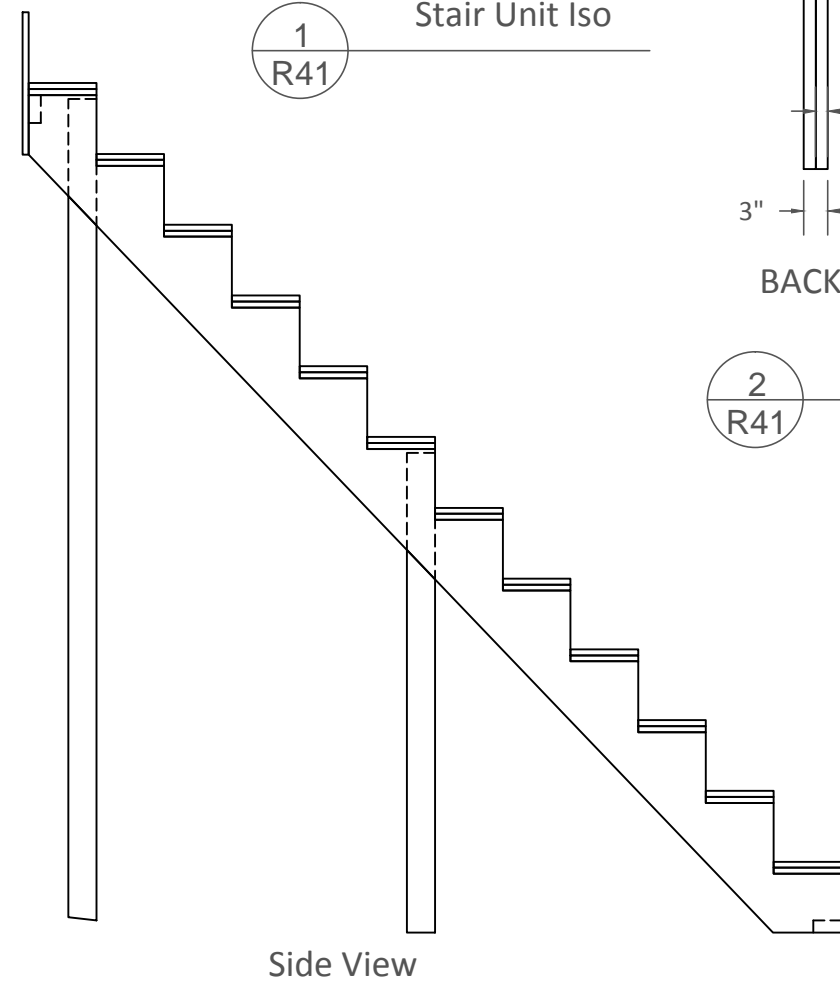
2  
R41  
Front Legs- Scale:  $\frac{1}{2}'' = 1'-0''$   
Build 1 R&R 1 from 2x4.  
Screw together.



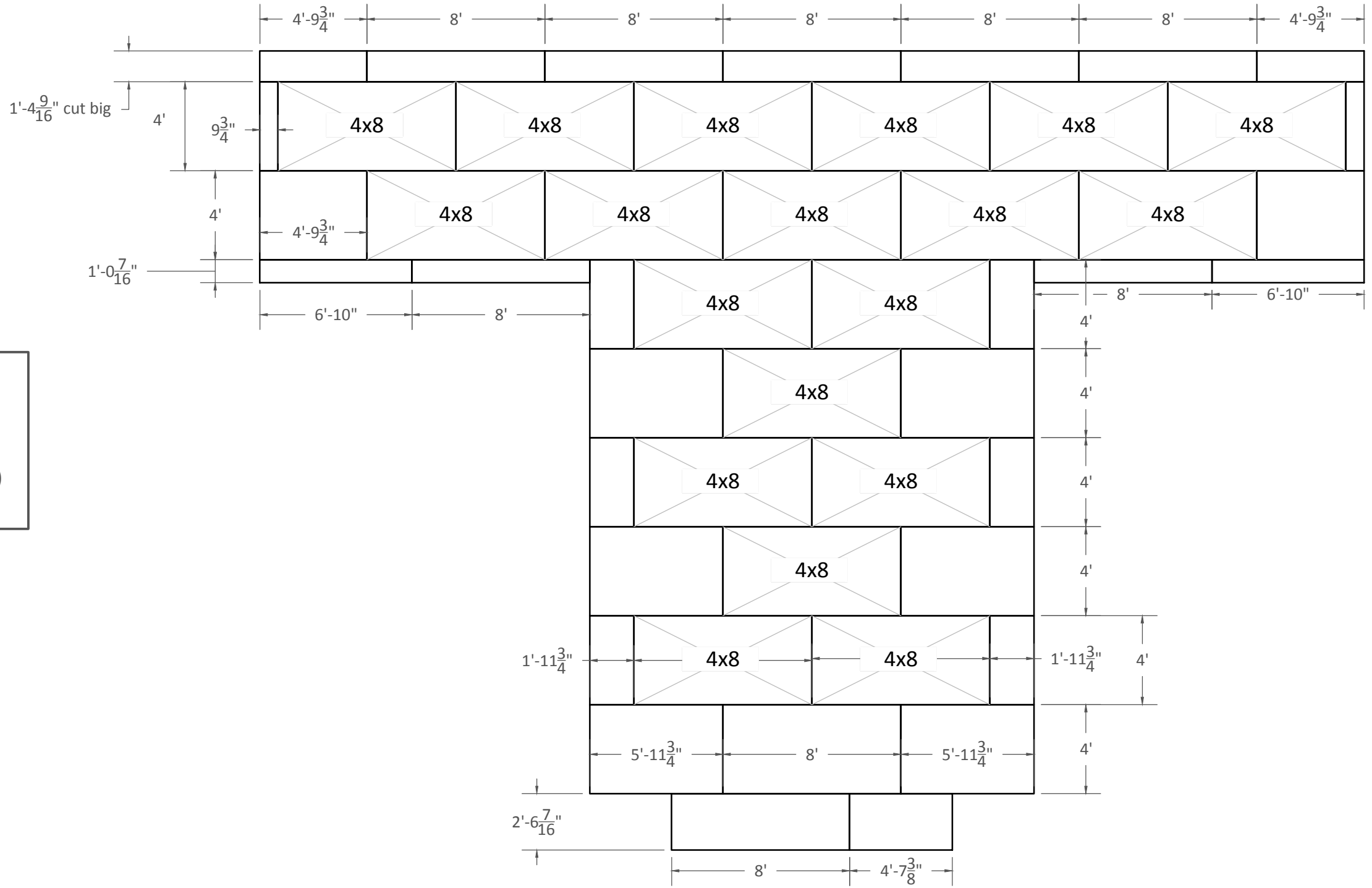
3  
R41  
Back Legs- Scale:  $\frac{1}{2}'' = 1'-0''$   
Build 1 R&R 1 from 2x4.  
Screw together.



DETAIL D  
SCALE 3" = 1'-0"  
LEG BOTTOM



4  
R41  
Leg Assembly- Scale:  $\frac{1}{2}'' = 1'-0''$



Groove (US)  
Tongue (DS)

Groove (US)  
Tongue (DS)

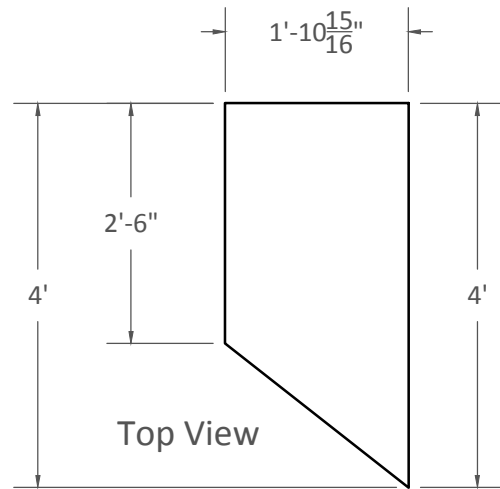
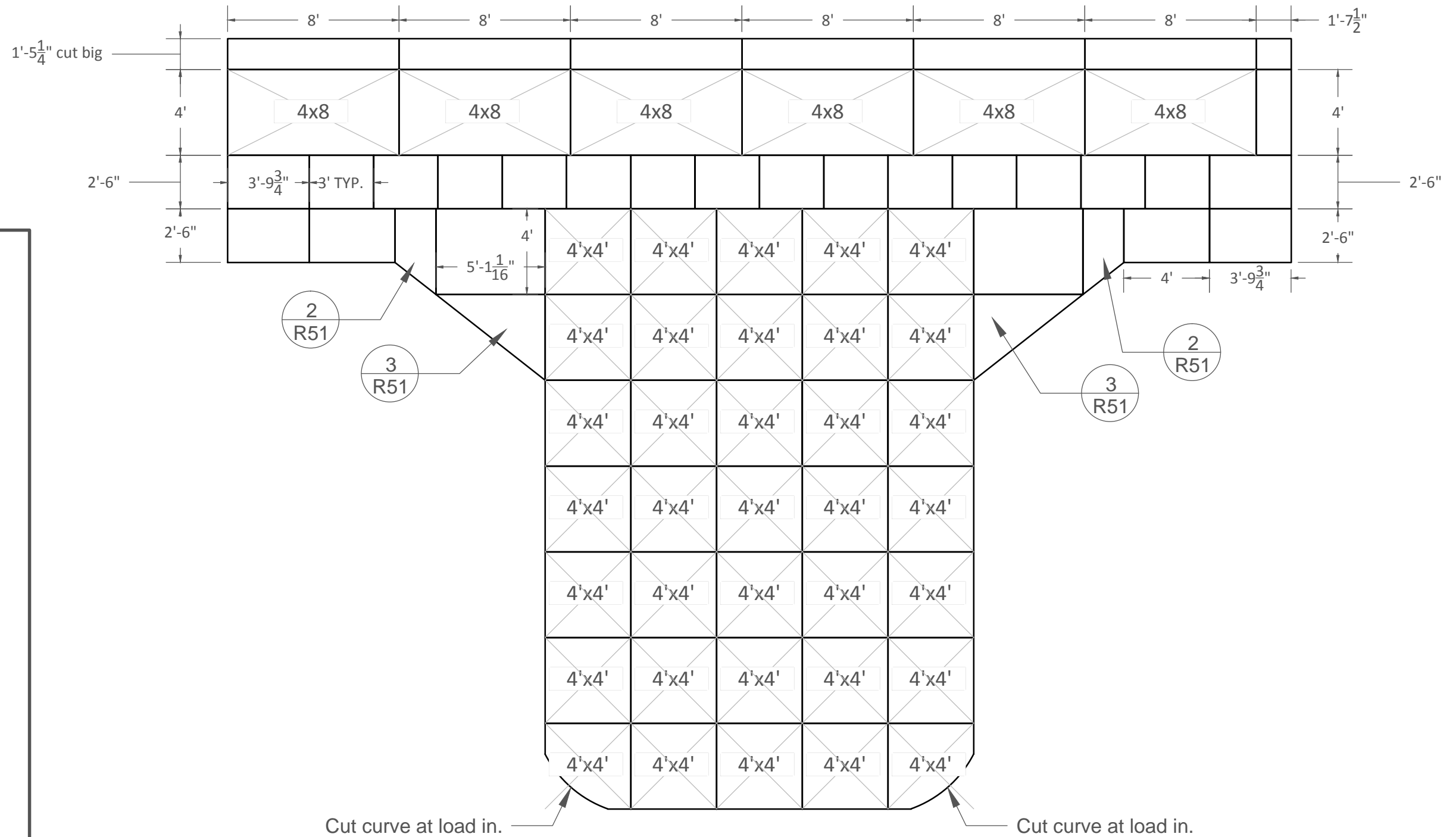
1 OSB Deck Layout- Scale:  $\frac{3}{16}'' = 1'-0''$   
R50 Pre-cut  $\frac{3}{4}''$  OSB as indicated.  
Ensure tongue is downstage.  
Label osb and drawing.



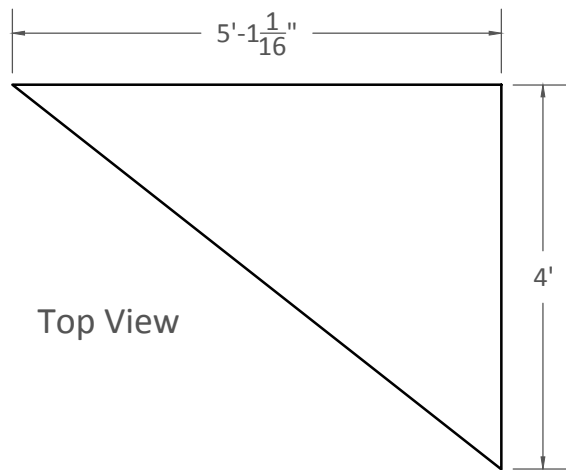
# Romeo and Juliet

Plate Name: OSB Cuts		
Director: J.Ammerman	Designer: L.Taylor	
Tech Director: Aaron Mayer	Drafted By: A.Mayer	
DWG Date: 10/7/2016	REV Date: ---	Scale: As Noted

DWG #:  
**R50**



2 R51 OSB Deck Layout- Scale:  $\frac{3}{16}'' = 1'-0''$   
Cut 1 R&R 1 from  $\frac{1}{2}''$  Homasote.



3 R51 OSB Deck Layout- Scale:  $\frac{3}{16}'' = 1'-0''$   
Cut 1 R&R 1 from  $\frac{1}{2}''$  Homasote.

1 R51 Homasote Deck Layout- Scale:  $\frac{3}{16}'' = 1'-0''$   
Pre-cut  $\frac{1}{2}''$  Homasote as indicated.  
Pre-Countersink 12" o.c.  
AYLI paint side UP.



# Romeo and Juliet

Plate Name: Homasote Cuts

Director: J.Ammerman

Designer: L.Taylor

Tech Director: Aaron Mayer

Drafted By: A.Mayer

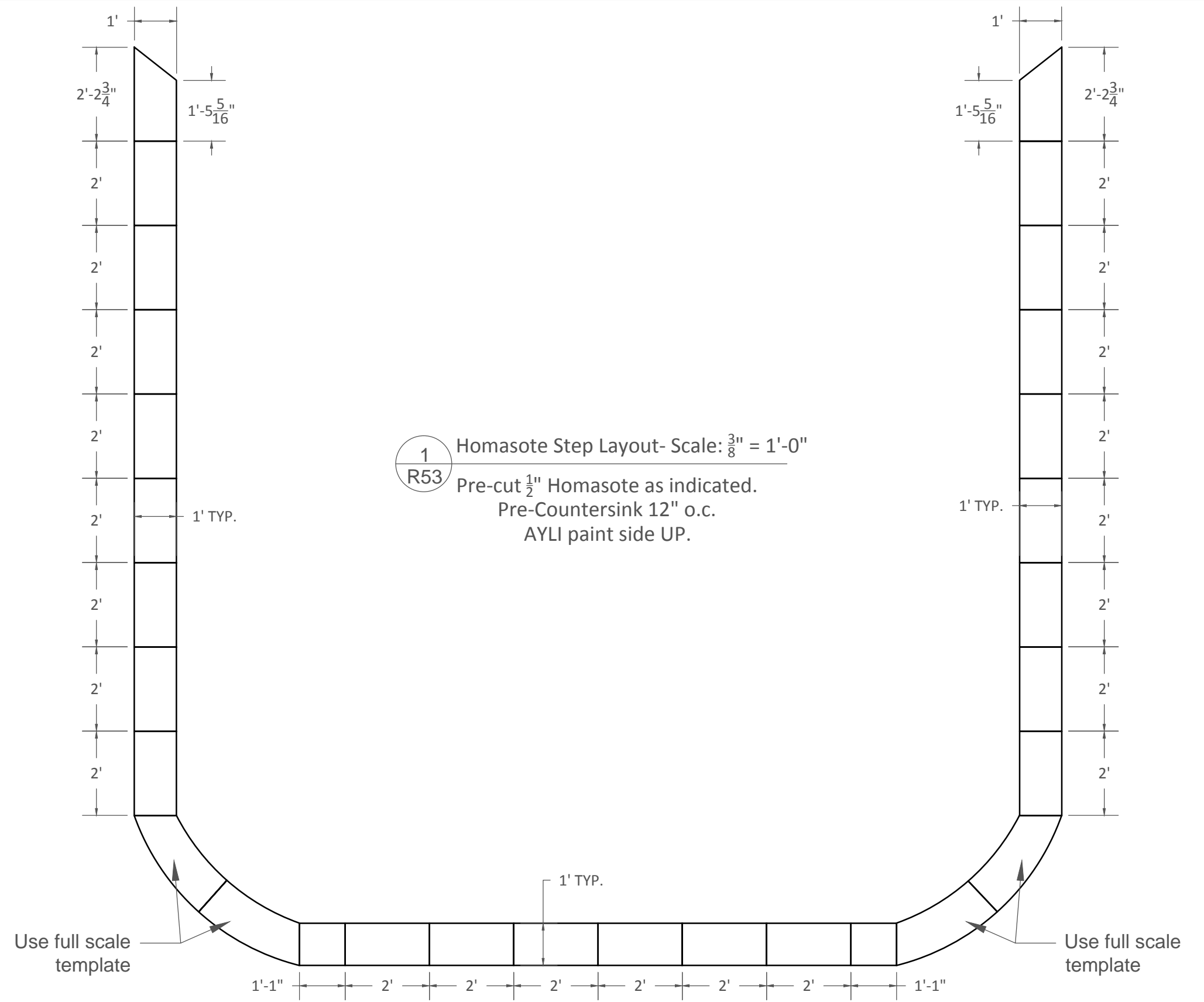
DWG Date: 10/7/2016

REV Date: ---

Scale: As Noted

DWG #:

# R51



1 Homasote Step Layout- Scale:  $\frac{3}{8}'' = 1'-0''$   
 R53 Pre-cut  $\frac{1}{2}''$  Homasote as indicated.  
 Pre-Countersink 12" o.c.  
 AYLI paint side UP.



# Romeo and Juliet

Plate Name: Homasote Step Cuts

Director: J.Ammerman

Designer: L.Taylor

Tech Director: Aaron Mayer

Drafted By: A.Mayer

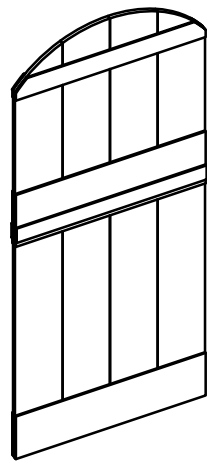
DWG Date: 10/7/2016

REV Date: ---

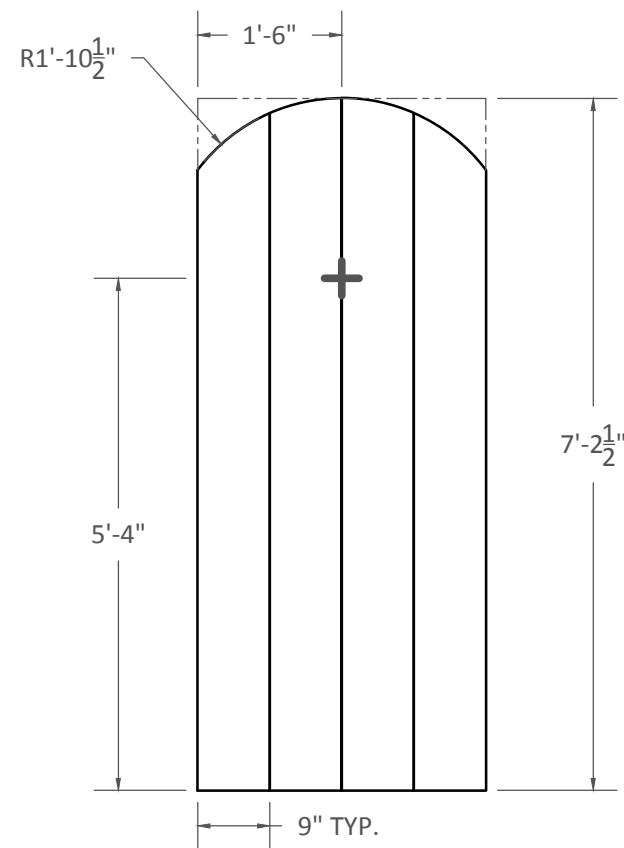
Scale: As Noted

DWG #:

# R53

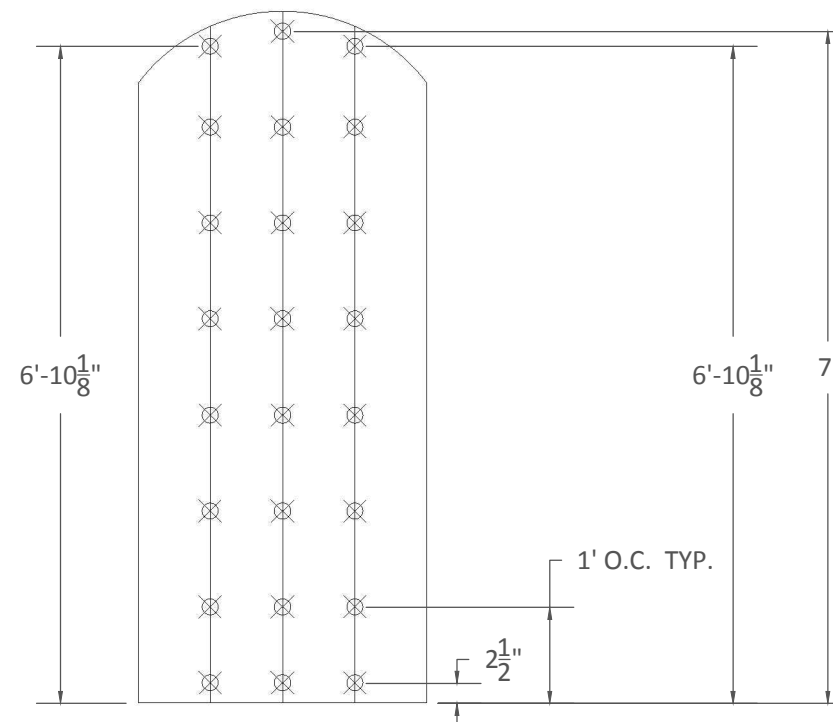


1 SR Door Iso  
R66



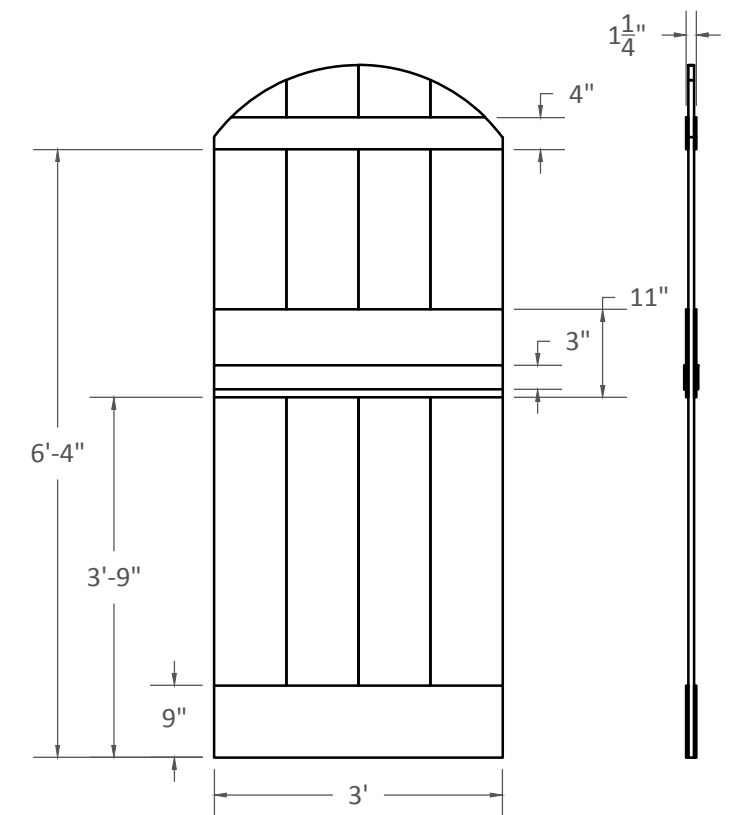
Front View

2 Door Shutter- Scale:  $\frac{1}{2}'' = 1'-0''$   
R66 Build 1 from ripped 1x12.  
Join with biscuit joints, screw to table,  
route arc.



Front View

3 Biscuit Layout- Scale:  $\frac{1}{2}'' = 1'-0''$   
R66 Center biscuit on measurement as  
indicated.  
Use #20 biscuits.  
Glue biscuits and door edge grain.  
Assemble before cutting arc.



Front View

4 Door Applique- Scale:  $\frac{1}{2}'' = 1'-0''$   
R66 Fabricate applique from planned 1x12.  
Plane to  $\frac{3}{8}''$ .  
Glue and brad to door.



# Romeo and Juliet

Plate Name: SR Door

Director: J.Ammerman

Designer: L.Taylor

Tech Director: Aaron Mayer

Drafted By: A.Mayer

DWG Date: 10/13/2016

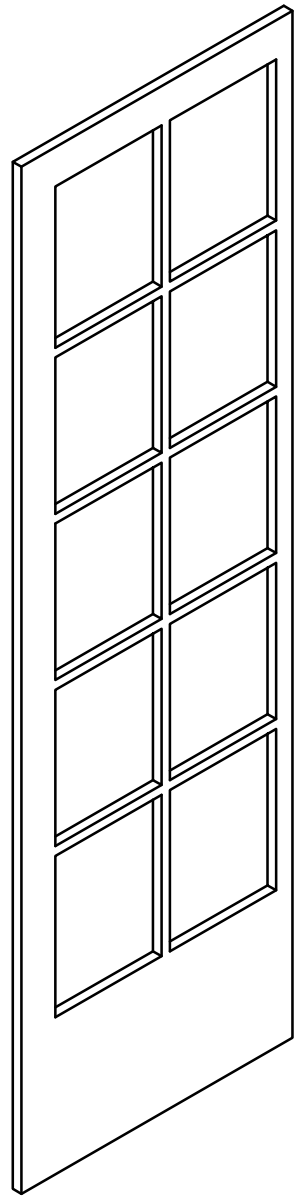
REV Date: ---

Scale: As Noted

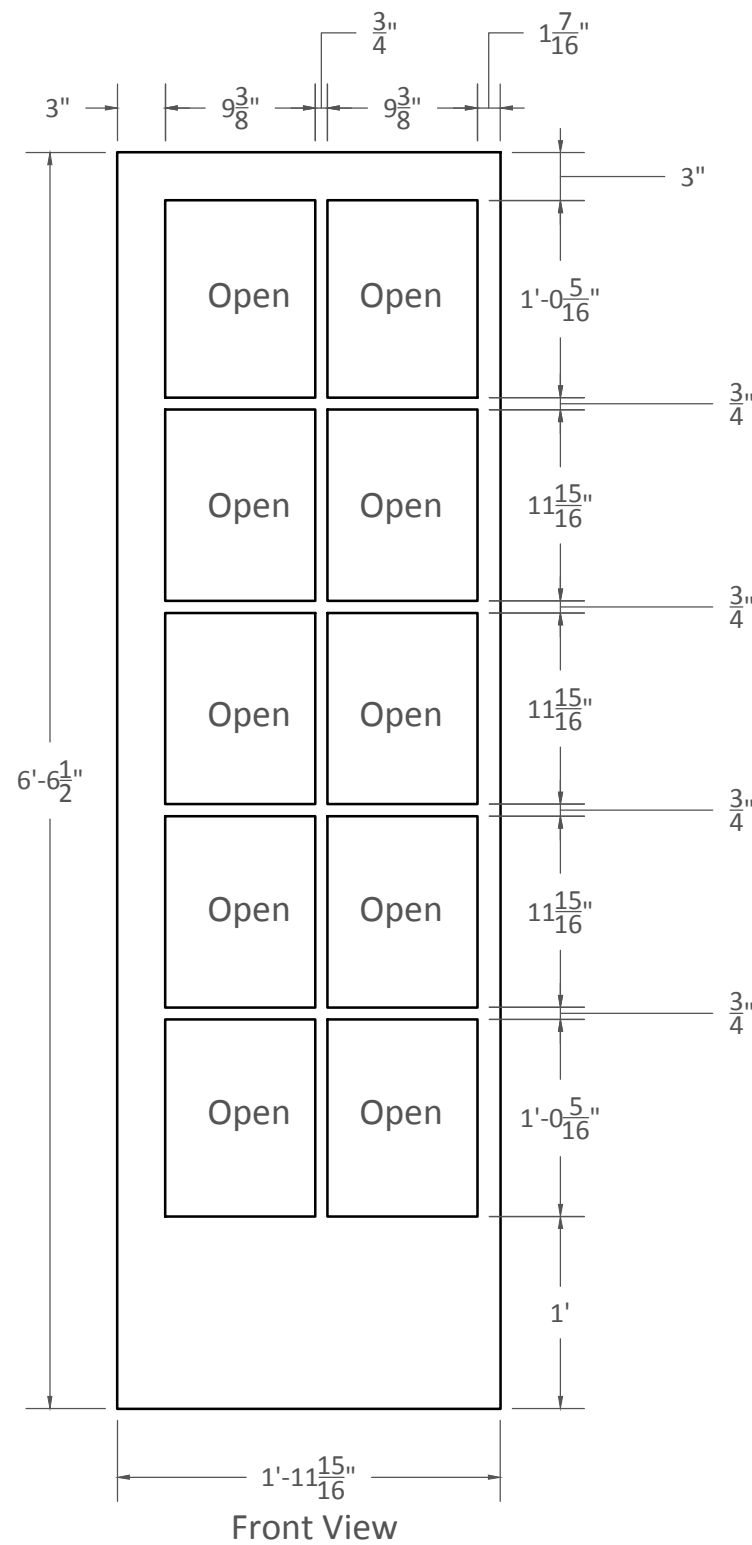
DWG #:

# R66

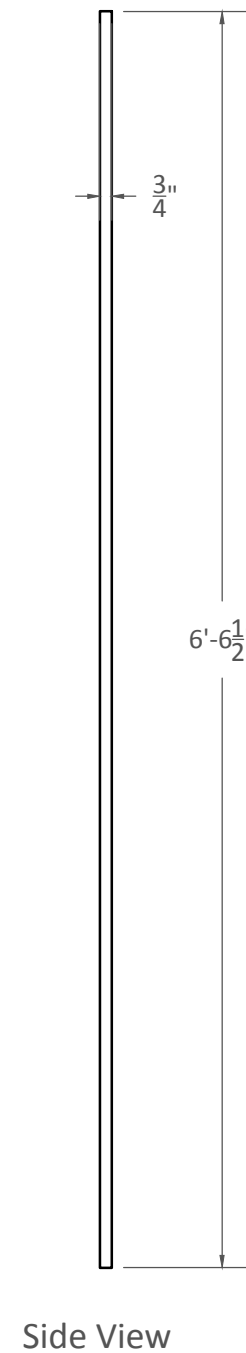




1 Door Iso- NTS  
R69



2 Door Shutter- Scale: 1"= 1'-0"  
R69  
Build 2 from 3/4" MDF.  
Cut 1, Flush Route 1.



Build TWO doors Total.



# Romeo and Juliet

Plate Name: French Doors

Director: J.Ammerman

Designer: L.Taylor

Tech Director: Aaron Mayer

Drafted By: A.Mayer

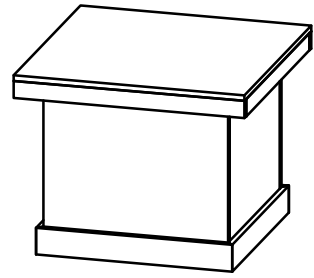
DWG Date: 10/13/2016

REV Date: ---

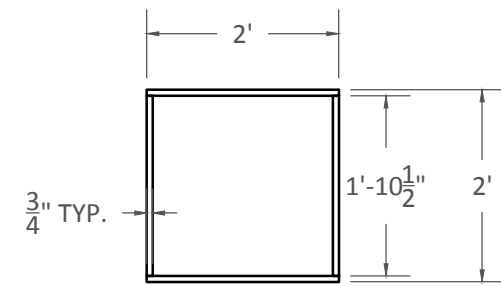
Scale: As Noted

DWG #:

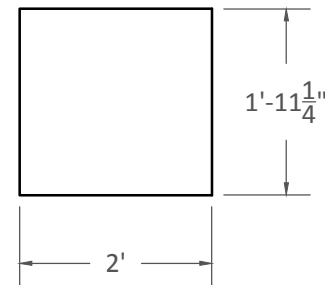
# R69



1  
R77 Stone Wagon Iso

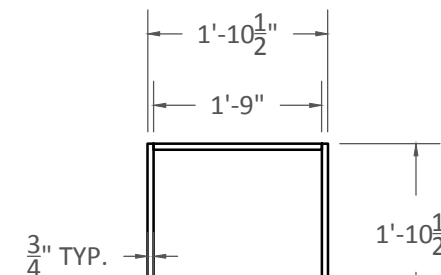


Top View

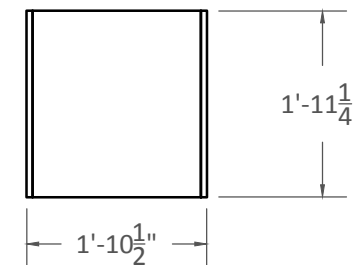


Front View

2  
R77 Outer Shell- Scale: 1/2" = 1'-0"  
Build 1 from 3/4" BC Plywood.  
Glue and MC Staple.

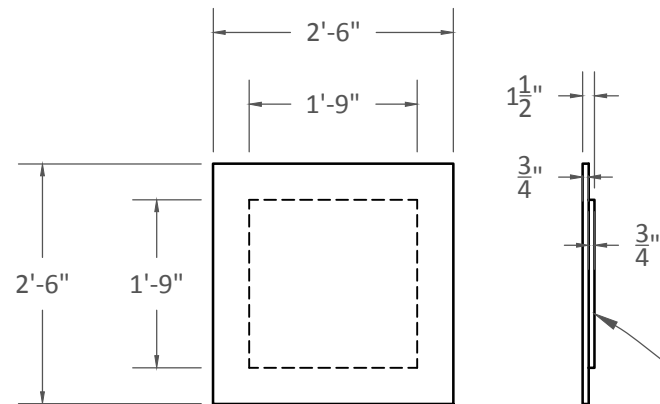


Top View



Front View

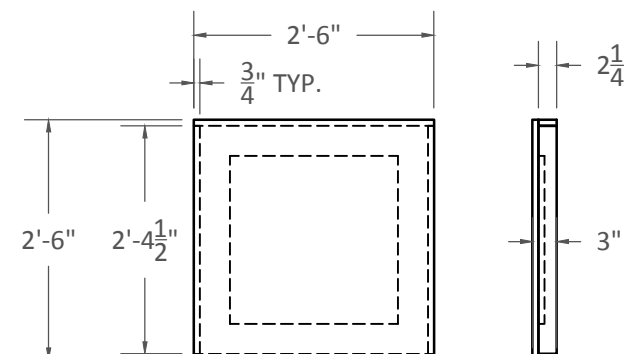
3  
R77 Inner Shell- Scale: 1/2" = 1'-0"  
Build 1 from 3/4" BC Plywood.  
Glue and MC Staple.



Top View

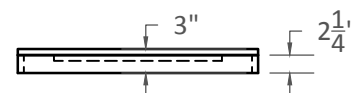
Side View

Receiver



Top View

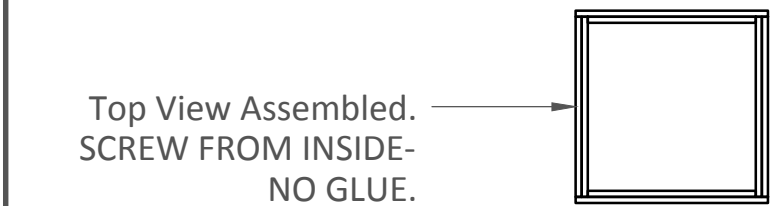
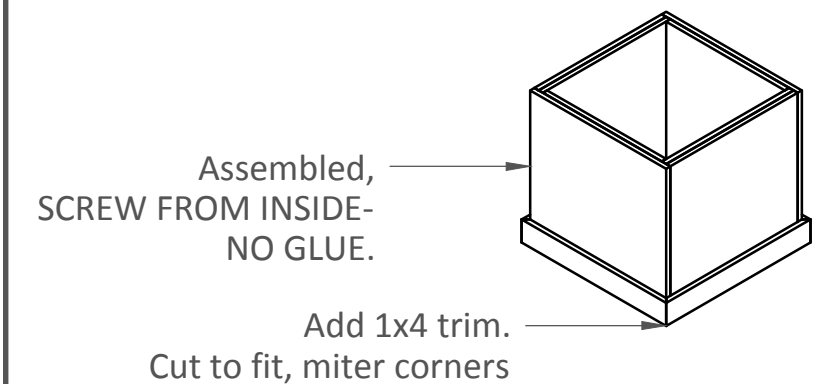
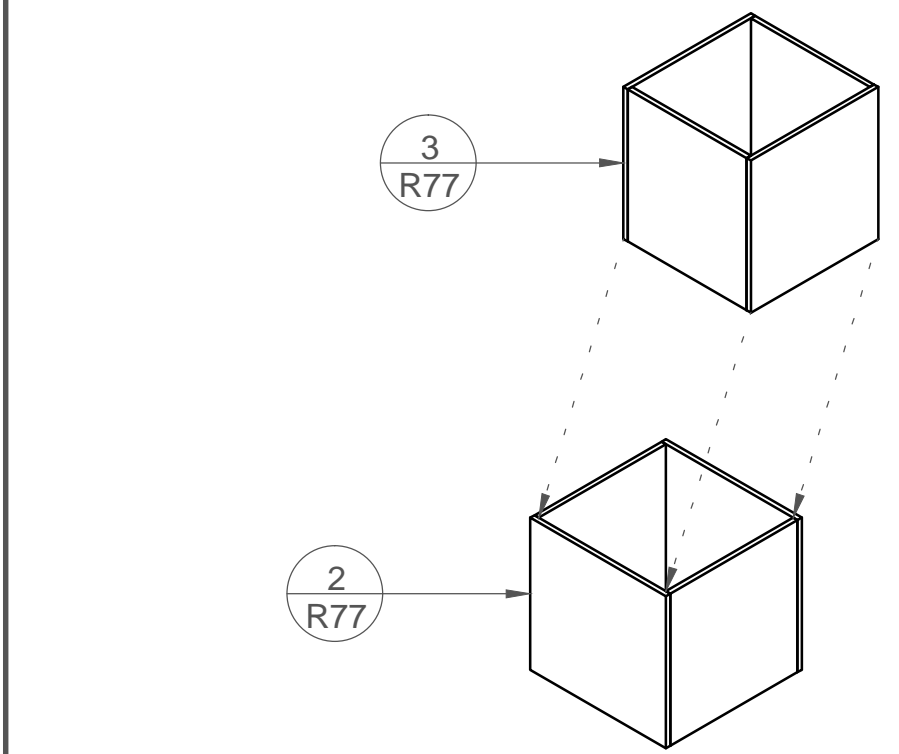
Side View



Front View

5  
R77 Lid Trim- Scale: 1/2" = 1'-0"  
Trim with 3/4" BC Plywood.  
Glue and Brad.

4  
R77 Lid- Scale: 1/2" = 1'-0"  
Build 1 from 3/4" BC Plywood.  
Glue and Brad.  
Receiver ply MUST fit PERFECTLY inside Shell-  
Friction Fit.



6  
R77 Shell Assembly- Scale: 1/2" = 1'-0"  
Screw shells together from INSIDE.



# Romeo and Juliet

Plate Name: Stone Wagon Style 1

Director: J.Ammerman

Designer: L.Taylor

Tech Director: Aaron Mayer

Drafted By: A.Mayer

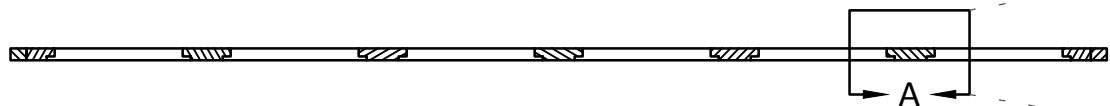
DWG Date: 10/14/2016

REV Date: ---

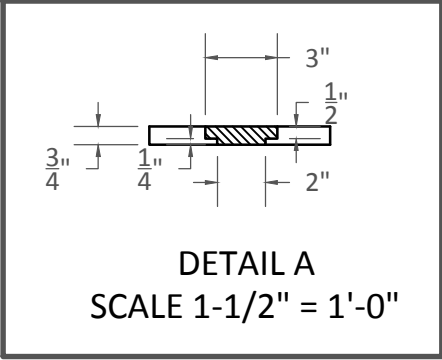
Scale: As Noted

DWG #:

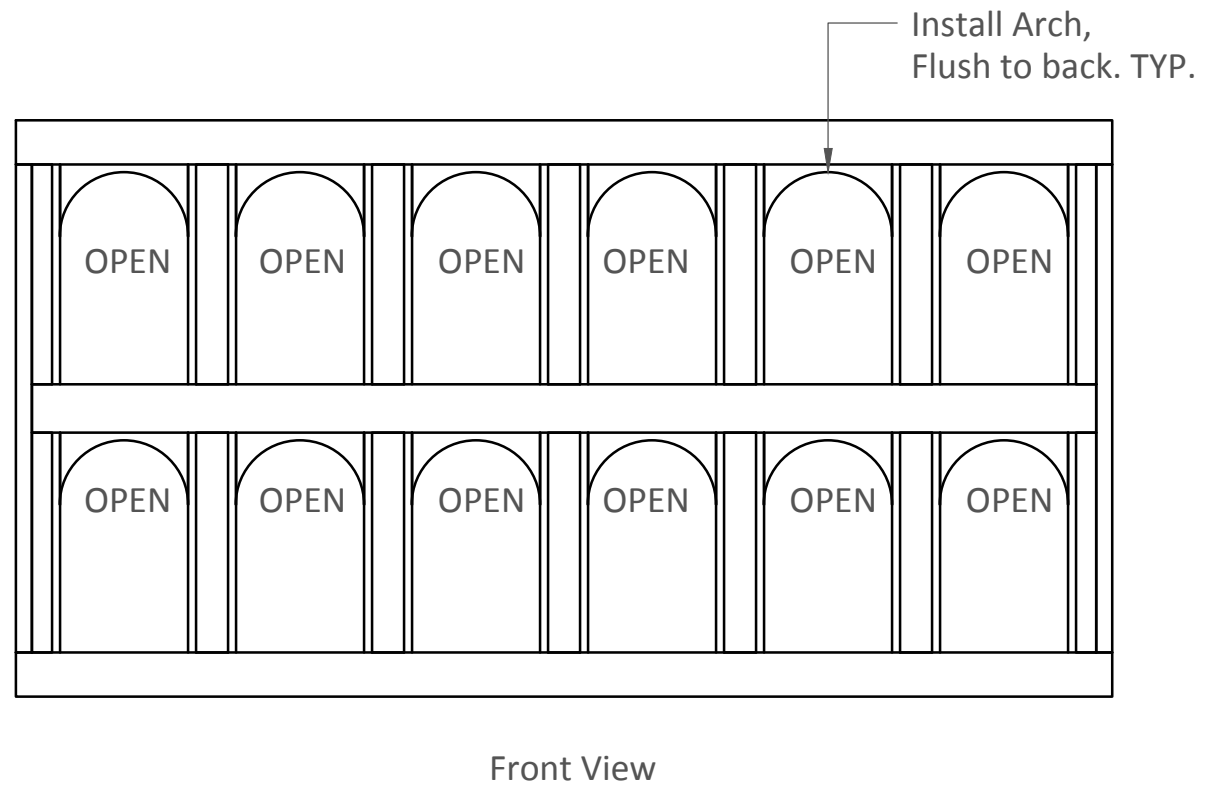
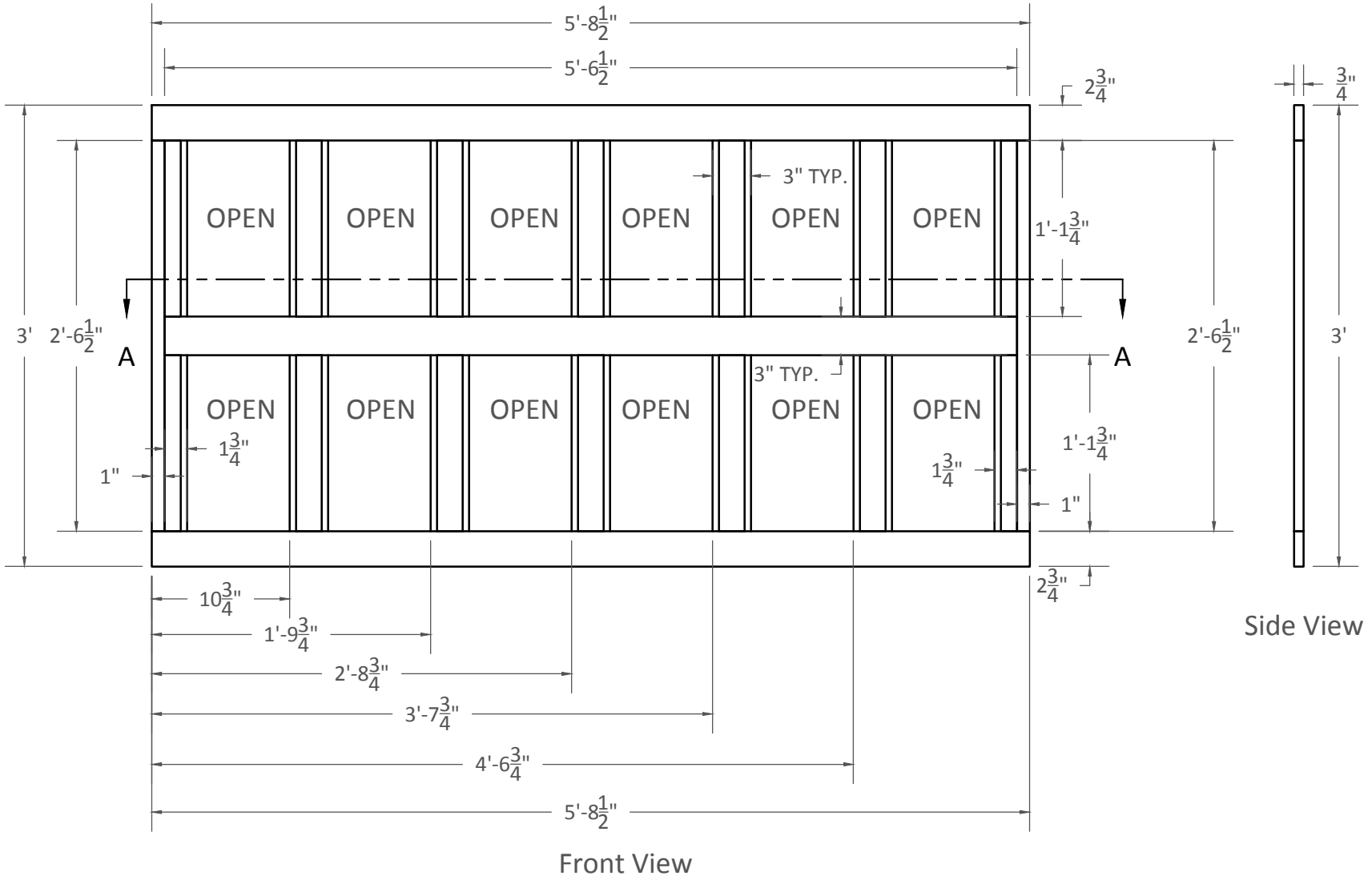
# R77



SECTION A-A  
SCALE 1" = 1'-0"



DETAIL A  
SCALE 1-1/2" = 1'-0"



1  
R81 Center Panel Frame- Scale: 1" = 1'-0"

Build 1 from 3/4" MDF.  
Cut Rabbits, Assemble with pocket holes on back. Glue.  
See TD about pocket hole placement.  
Ensure openings will fit arches.

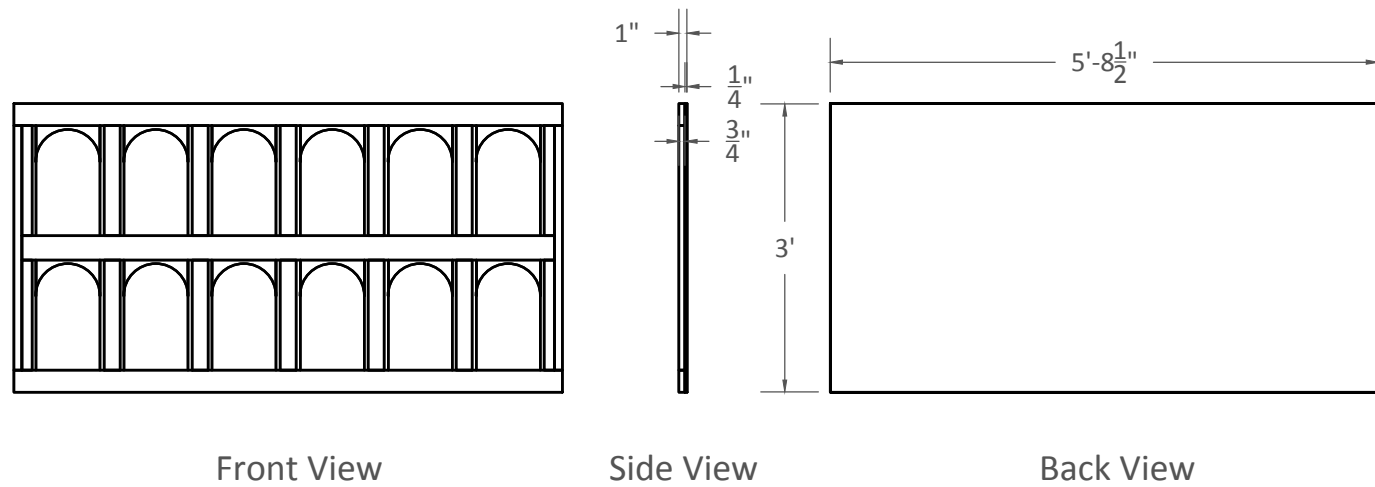
2  
R81 Center Panel Arches- Scale: 1" = 1'-0"  
Attach arches with pocket hole screws and Glue.  
See TD about pocket hole placement.



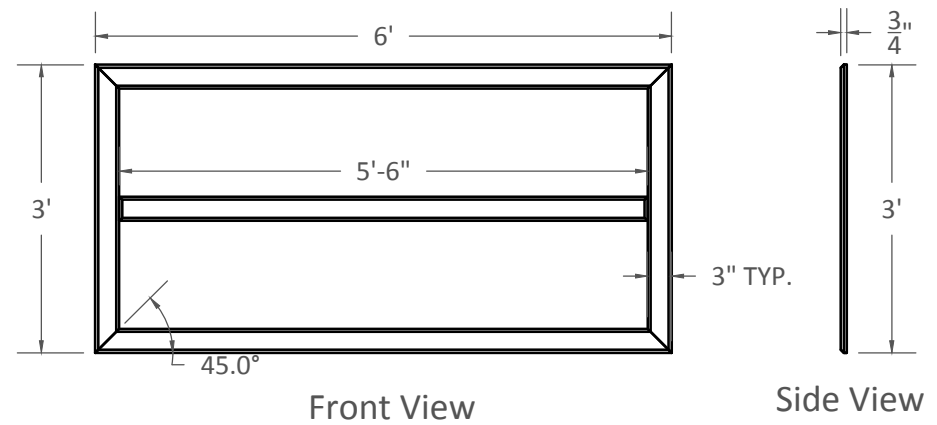
# Romeo and Juliet

Plate Name: Balcony Surround Center Panel Frame		
Director: J.Ammerman	Designer: L.Taylor	
Tech Director: Aaron Mayer	Drafted By: A.Mayer	
DWG Date: 10/17/2016	REV Date: ---	Scale: As Noted

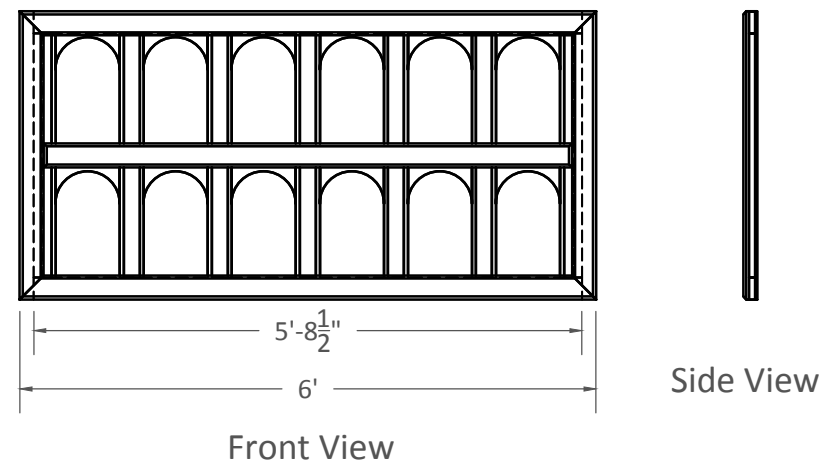
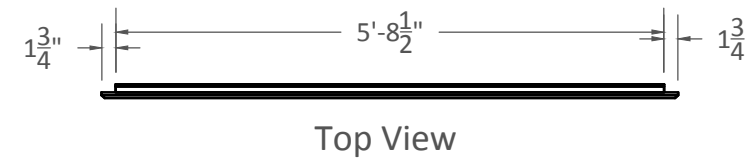
DWG #:  
**R81**



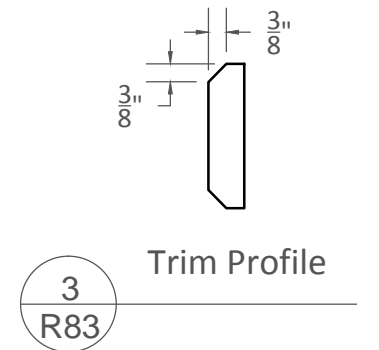
1  
R83 Center Panel Backer- Scale:  $\frac{1}{2}'' = 1'-0''$   
Attach luan to back.  
Glue generously and brad.



2  
R83 Center Panel Backer- Scale:  $\frac{1}{2}'' = 1'-0''$   
Fabricate trim from  $\frac{3}{4}''$  MDF.  
Assemble and route detail.



4  
R83 Center Panel Trim- Scale:  $\frac{1}{2}'' = 1'-0''$   
Fabricate trim from  $\frac{3}{4}''$  MDF.  
Assemble and route detail.  
Note overhang.  
Glue and Finish Nail.



Trim Profile



# Romeo and Juliet

Plate Name: Balcony Surround Center Panel Trim and Backer

Director: J.Ammerman

Designer: L.Taylor

Tech Director: Aaron Mayer

Drafted By: A.Mayer

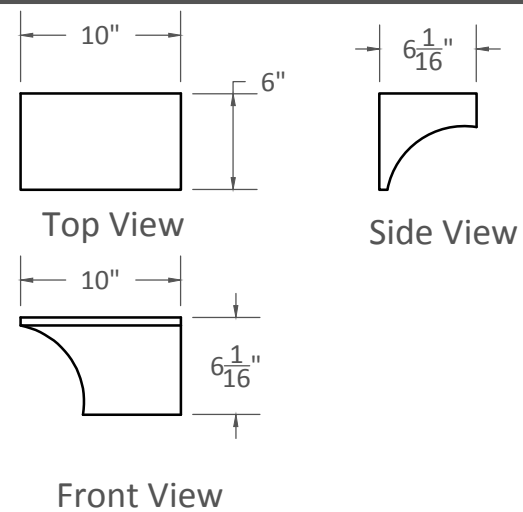
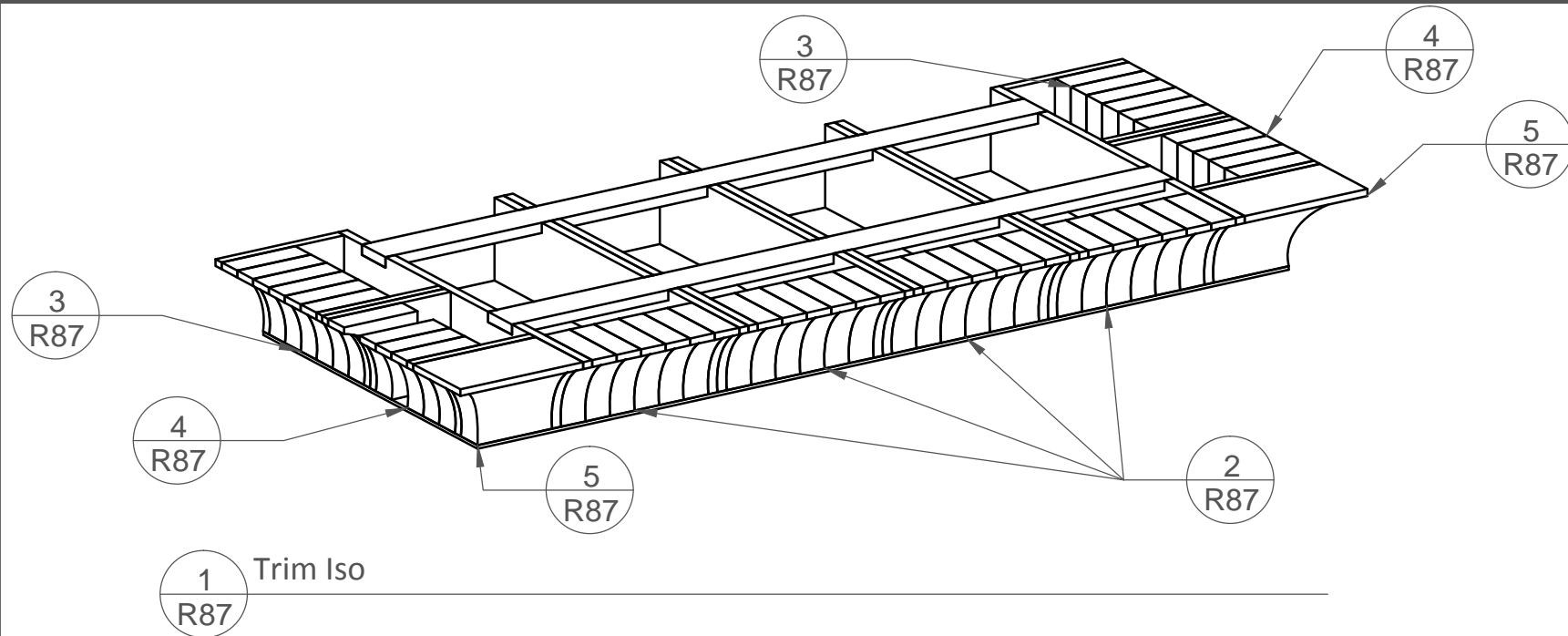
DWG Date: 10/17/2016

REV Date: ---

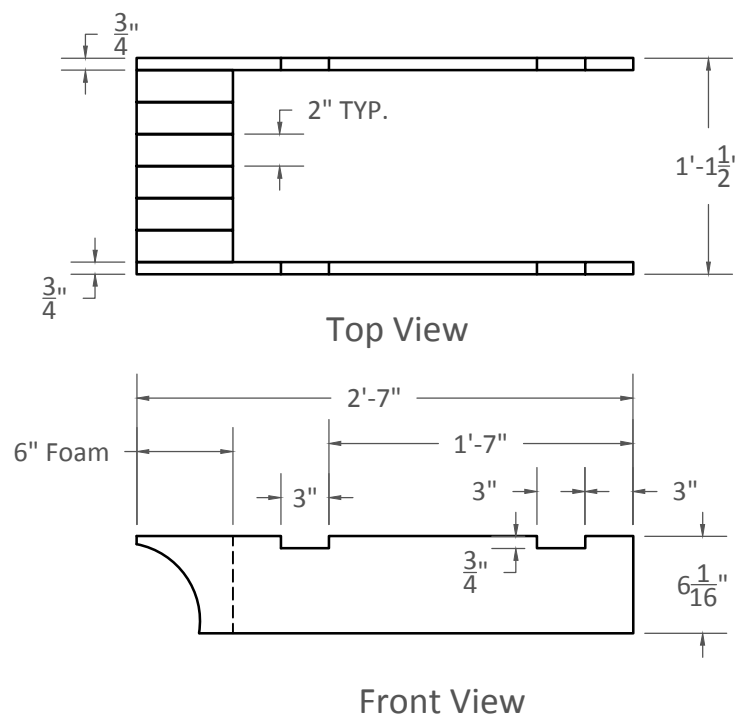
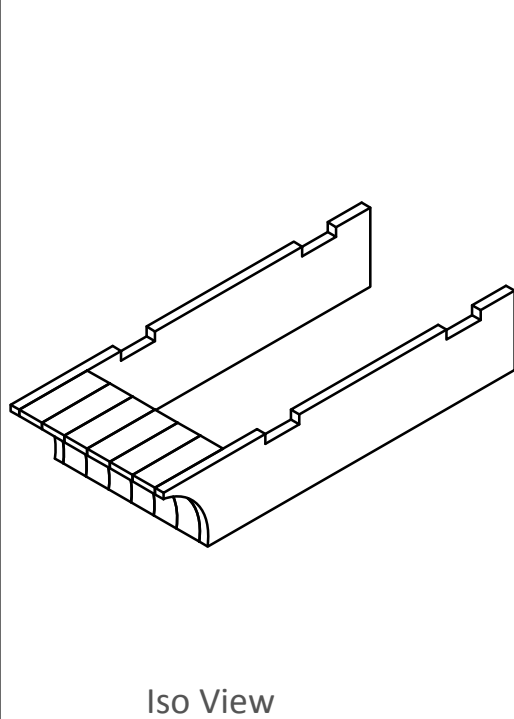
Scale: As Noted

DWG #:

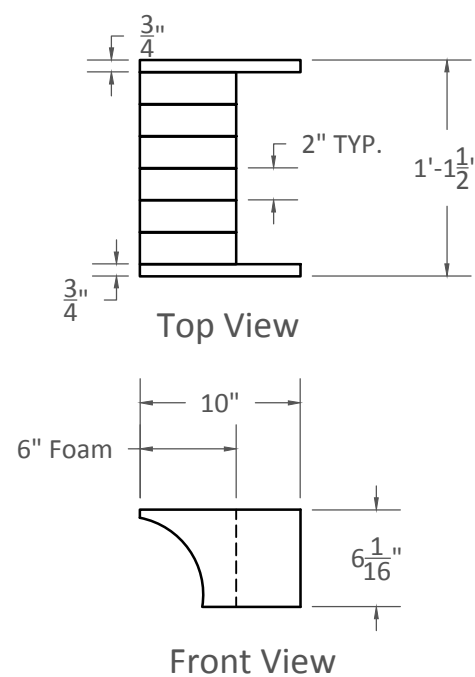
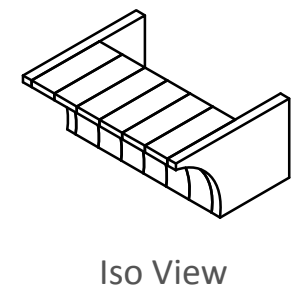
# R83



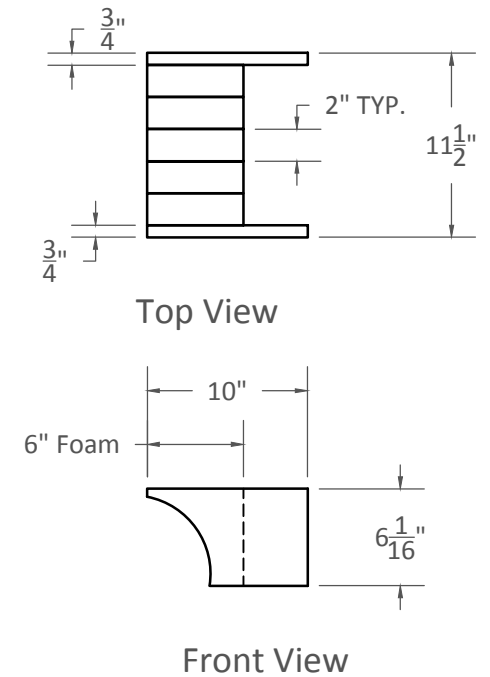
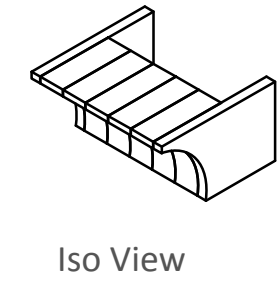
**5** Style 4- Scale: 1" = 1'-0"  
**R87** Build 2 from 2" foam.  
 Cut shape in both directions with hot wire.  
 See TD for technique.



**2** Style 1- Scale: 1" = 1'-0"  
**R87** Build 4 from 3/4" Plywood and 2" foam.  
 Build block shape, cut curve in foam  
 with hot wire.



**3** Style 2- Scale: 1" = 1'-0"  
**R87** Build 2 from 3/4" Plywood and 2" foam.  
 Build block shape, cut curve in foam  
 with hot wire.



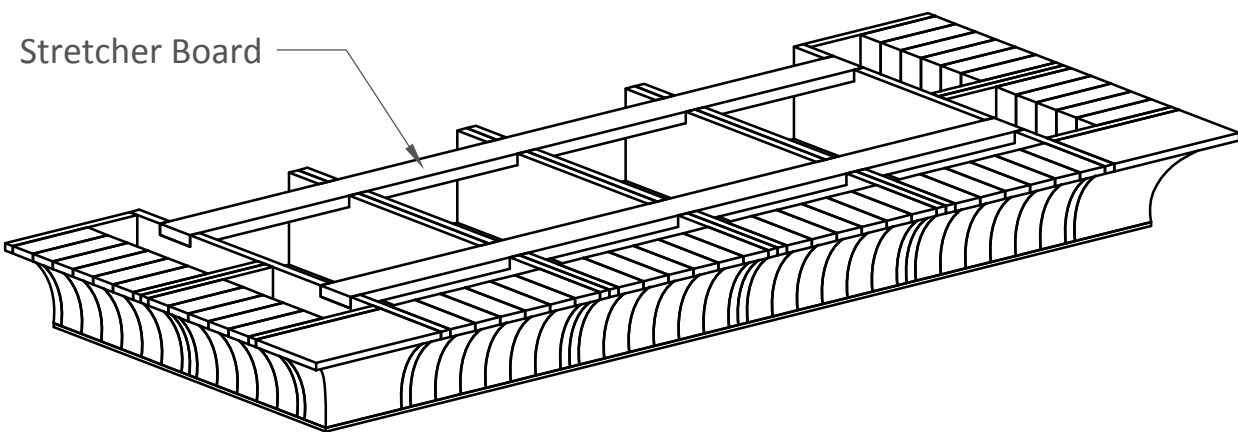
**4** Style 3- Scale: 1" = 1'-0"  
**R87** Build 2 from 3/4" Plywood and 2" foam.  
 Build block shape, cut curve in foam  
 with hot wire.



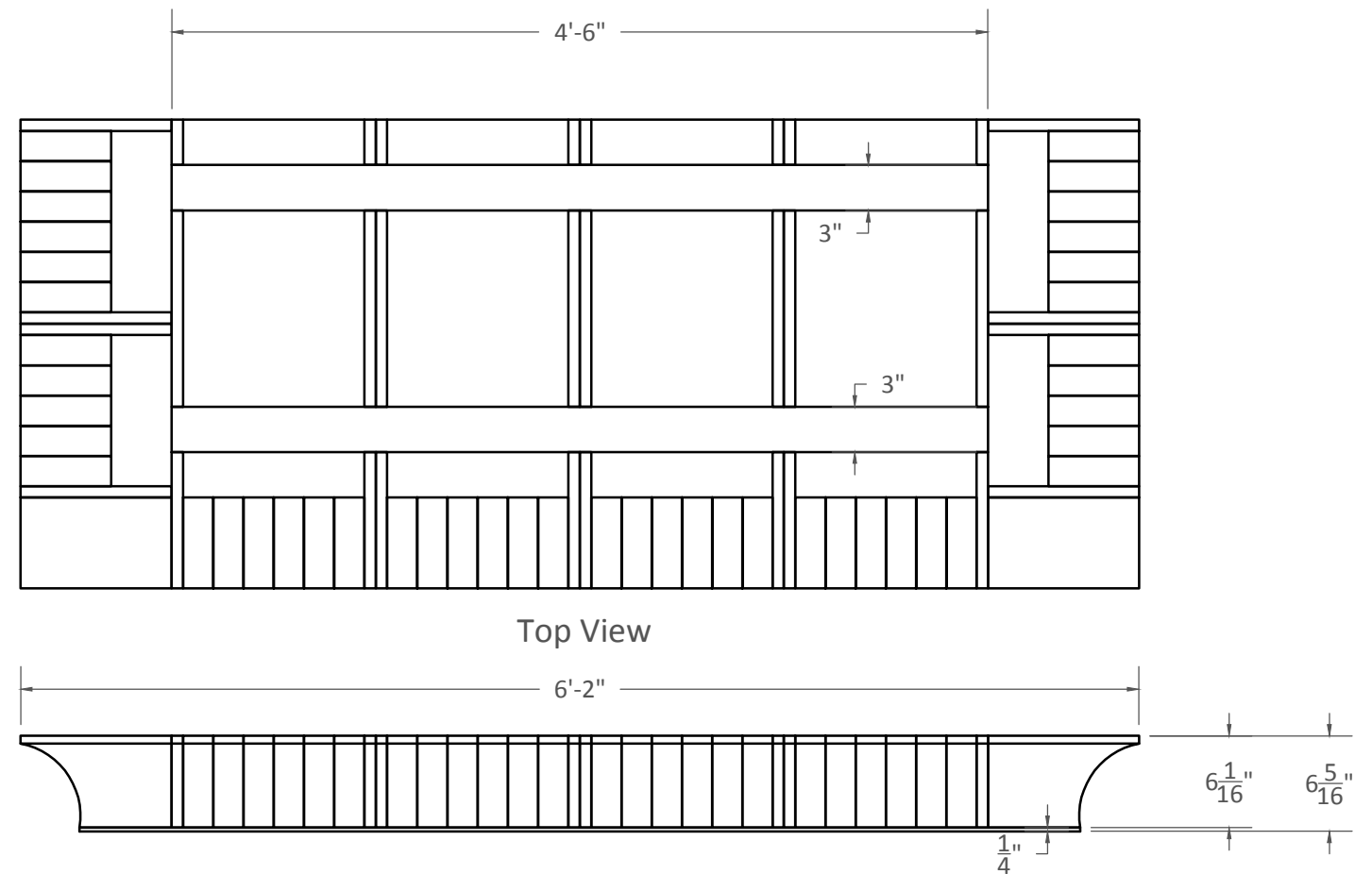
# Romeo and Juliet

Plate Name: Balcony Achitectoral Detail Foam Shapes		
Director: J.Ammerman	Designer: L.Taylor	
Tech Director: Aaron Mayer	Drafted By: A.Mayer	
DWG Date: 10/17/2016	REV Date: ---	Scale: As Noted

DWG #:  
**R87**



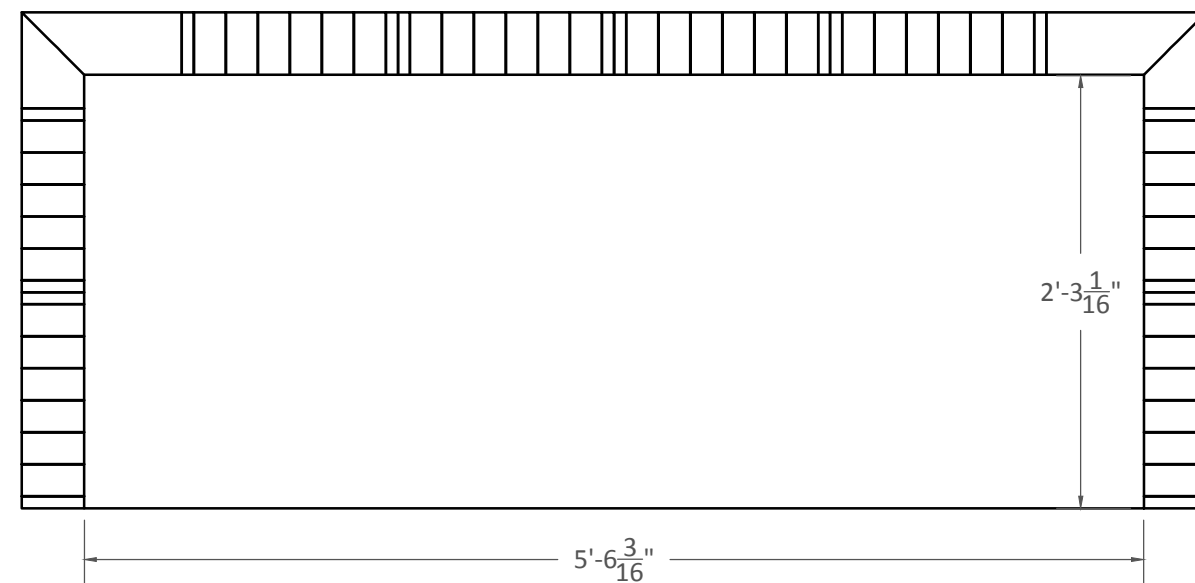
1 Unit Detail  
R88



Top View

Front View

- 2 Assembly- Scale: 1" = 1'-0"  
R88 Assemble from component parts  
Glue generously and screw.  
Cut and TEMPORARILY attach bottom from luan.  
Bottom must be removable for install.



BOTTOM View



# Romeo and Juliet

Plate Name: Balcony Achitectoral Detail Assembly

Director: J.Ammerman

Designer: L.Taylor

Tech Director: Aaron Mayer

Drafted By: A.Mayer

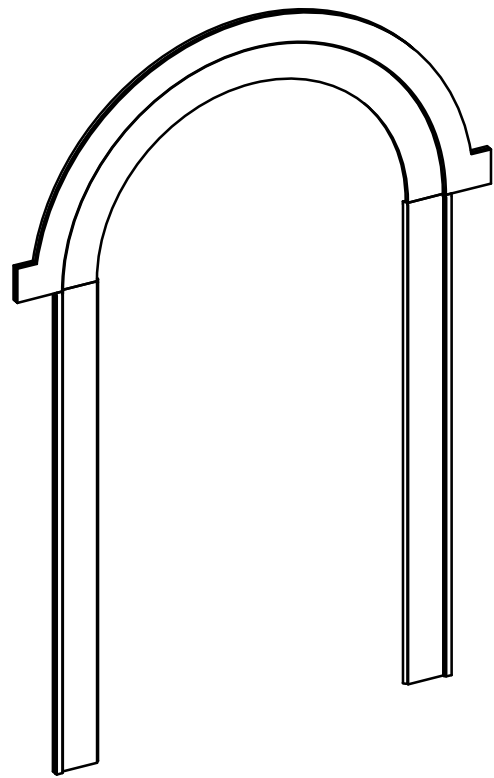
DWG Date: 10/17/2016

REV Date: ---

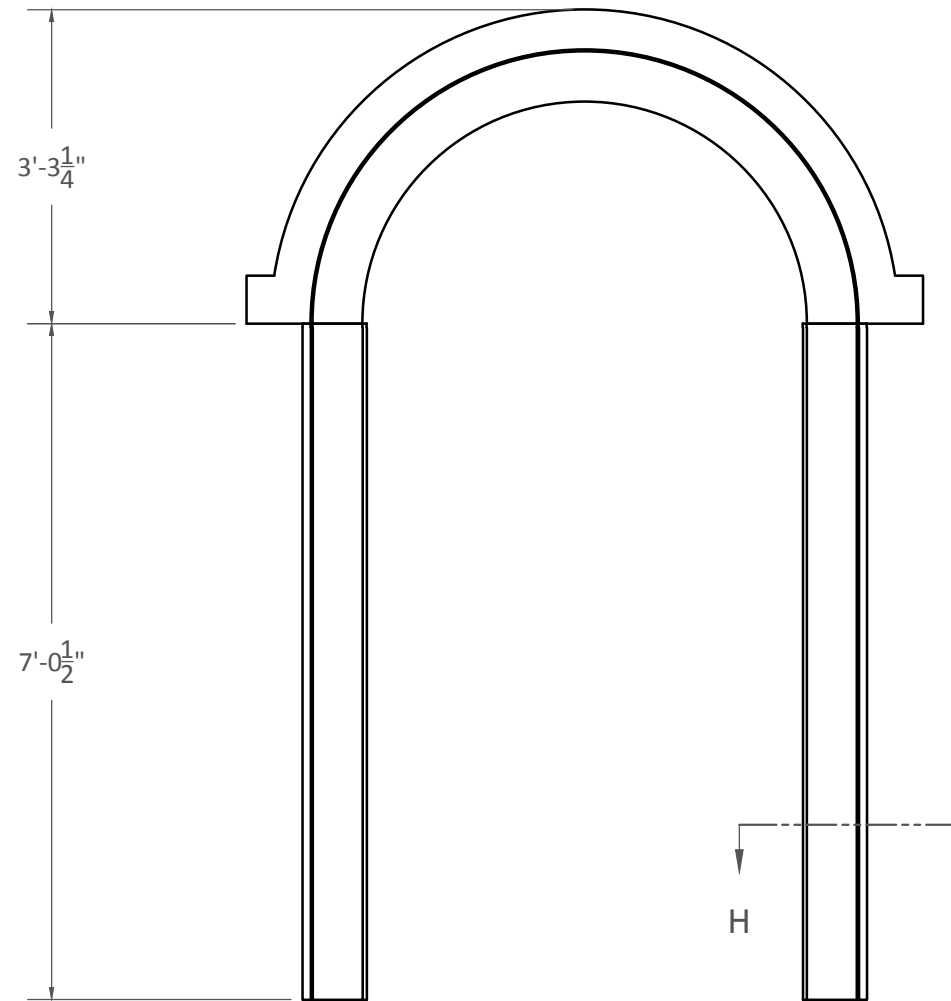
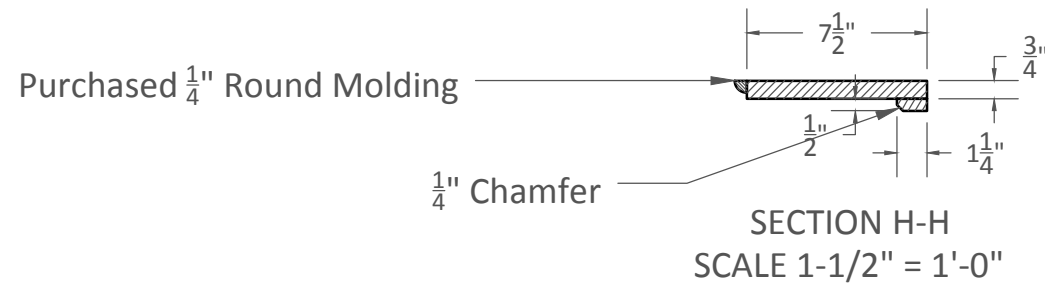
Scale: As Noted

DWG #:

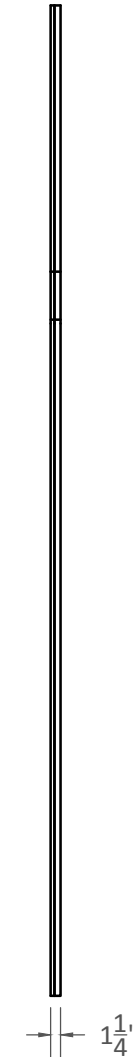
# R88



1 Unit ISO  
R91



Front View



Side View

2 Center Door Trim- Scale: 1/2" = 1'-0"  
R91

Build 1 from 3/4" MDF and 1/2" MDF.  
Glue and brad build up.  
Use Full Scale template for Arcs.  
Note chamfer on 1/2" MDF.



# Romeo and Juliet

Plate Name: Center Door Trim

Director: J.Ammerman

Designer: L.Taylor

Tech Director: Aaron Mayer

Drafted By: A.Mayer

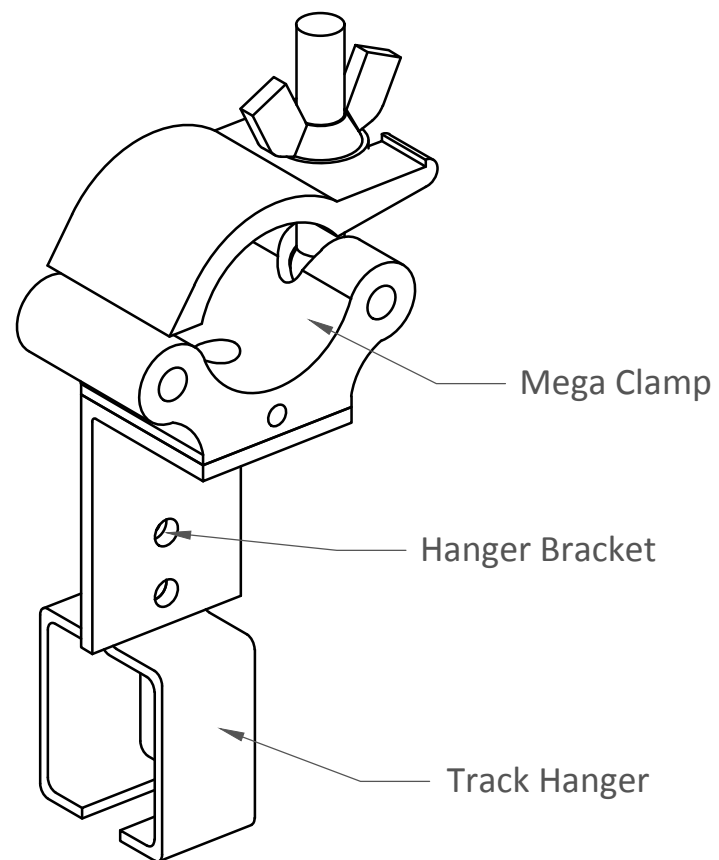
DWG Date: 10/21/2016

REV Date: ---

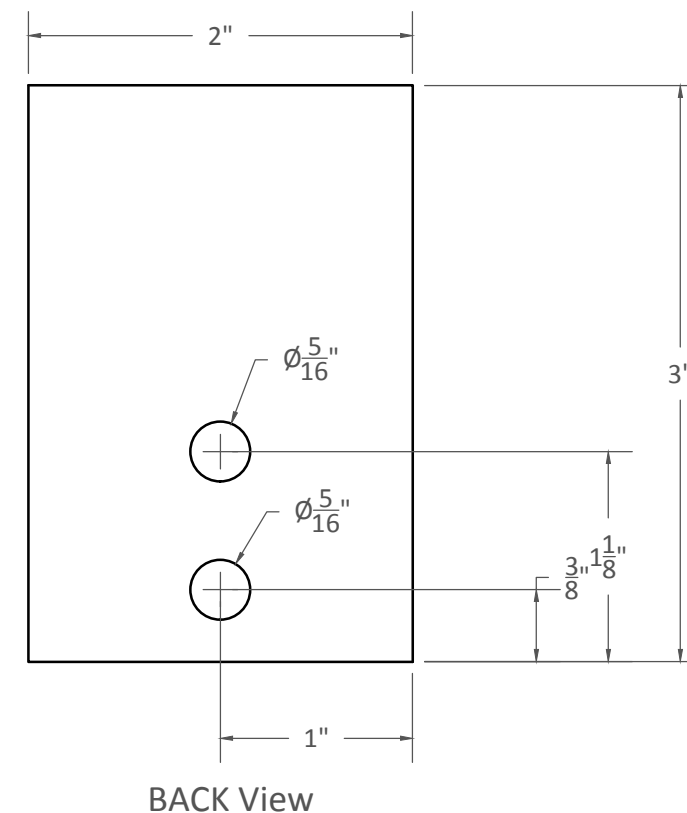
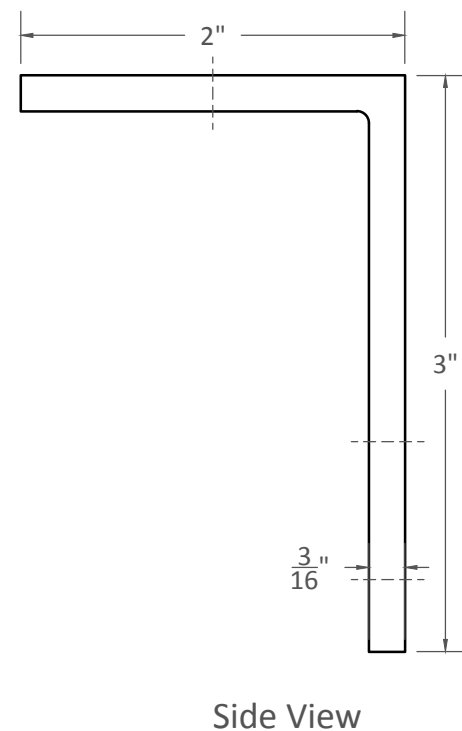
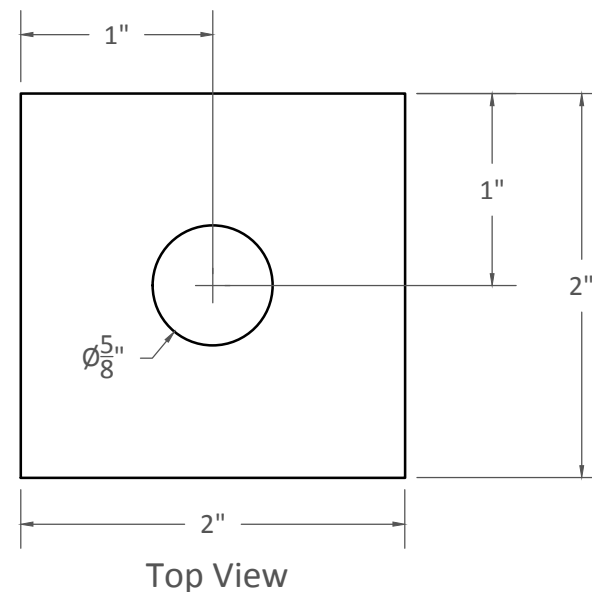
Scale: As Noted

DWG #:

# R91



1 Hanger ISO  
R101



2 Hanging Brackets- Scale: Full Scale  
R101 Build 6 from 3x2x<sup>3</sup>/<sub>16</sub>" Angle.  
Drill Holes.



# Romeo and Juliet

Plate Name: Track Hanging Bracket

Director: J.Ammerman

Designer: L.Taylor

Tech Director: Aaron Mayer

Drafted By: A.Mayer

DWG Date: 10/26/2016

REV Date: ---

Scale: As Noted

DWG #:

# R101